



US00D892011S

(12) **United States Design Patent**
Melrose

(10) **Patent No.:** **US D892,011 S**

(45) **Date of Patent:** **** Aug. 4, 2020**

(54) **MOUNT FOR A LICENSE PLATE OR SIMILAR ARTICLE**

(71) Applicant: **Vagabond Motorsports, LLC**, San Diego, CA (US)

(72) Inventor: **Jesse K Melrose**, San Diego, CA (US)

(**) Term: **15 Years**

(21) Appl. No.: **29/683,446**

(22) Filed: **Mar. 13, 2019**

(51) **LOC (12) Cl.** **12-16**

(52) **U.S. Cl.**
USPC **D12/193**

(58) **Field of Classification Search**
USPC D12/193; D6/300, 301, 302, 310, 311,
D6/312, 313, 314; D20/13
CPC B60R 13/10; B60R 13/105; B60R 19/24;
B60R 19/52

See application file for complete search history.

(56) **References Cited**

U.S. PATENT DOCUMENTS

D245,497 S *	8/1977	Ritch	D12/193
D333,490 S *	2/1993	Engelberts	D12/193
D396,679 S *	8/1998	Findel, II	D12/193
D435,819 S *	1/2001	Spencer	D12/193
D566,023 S *	4/2008	Pacleb	D12/193
D599,726 S *	9/2009	Pacleb	D12/193

D812,537 S *	3/2018	Chiang	D12/193
D813,129 S *	3/2018	Hoffheinz	D12/193
D813,131 S *	3/2018	Chiang	D12/193
D818,917 S *	5/2018	Addy	D12/193
D822,566 S *	7/2018	Parnell	D12/193
D824,307 S *	7/2018	Spencer	D12/193
D824,308 S *	7/2018	Parnell	D12/193
D834,479 S *	11/2018	Spencer	D12/193
D870,624 S *	12/2019	Filakousky	D12/193
D870,625 S *	12/2019	Filakousky	D12/193

* cited by examiner

Primary Examiner — **Natasha Vujcic**

(74) *Attorney, Agent, or Firm* — **Donn K. Harms**

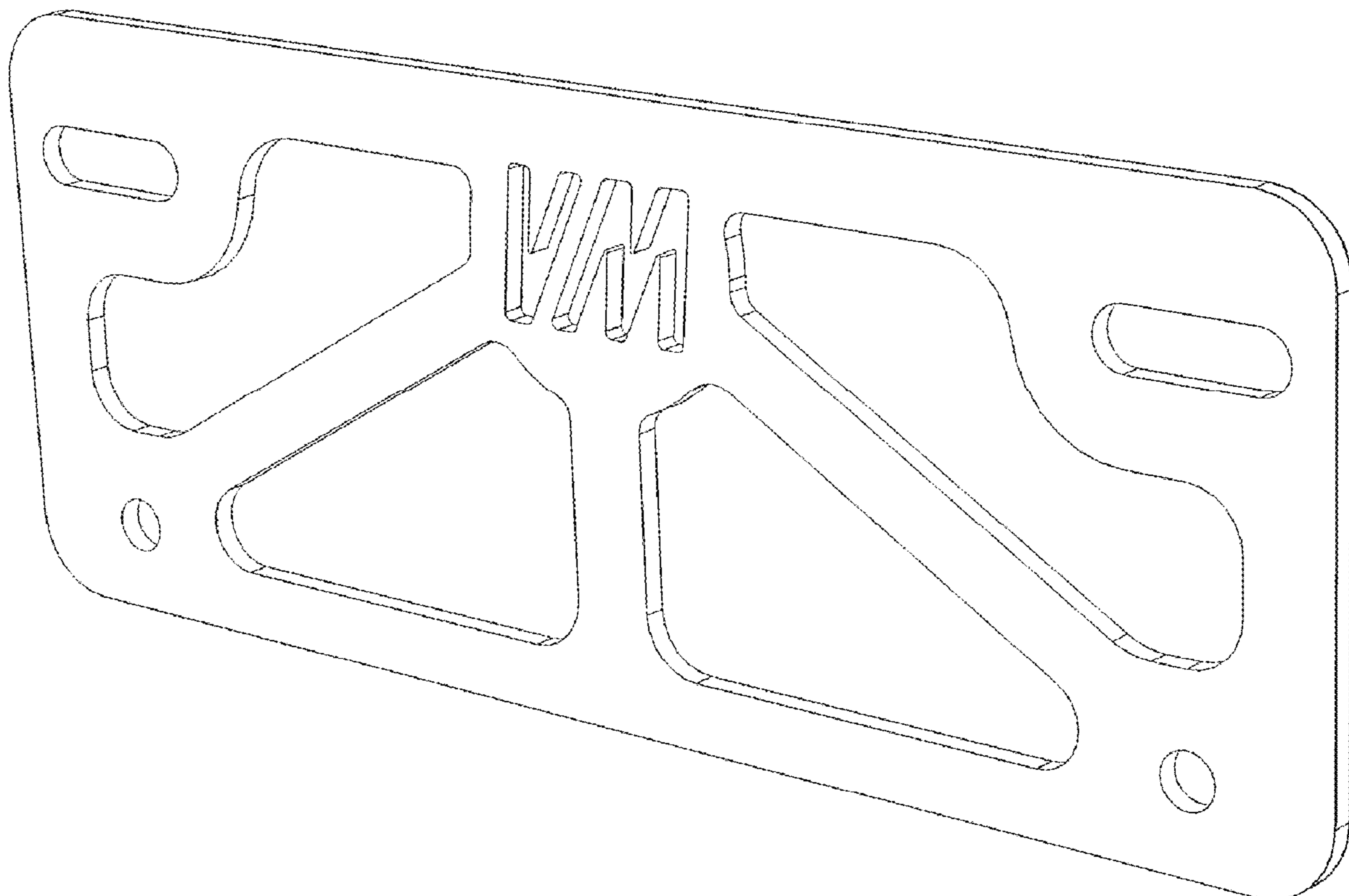
(57) **CLAIM**

The ornamental design for a mount for a license plate or similar article, as shown and described.

DESCRIPTION

FIG. 1 is a perspective view of a mount for a license plate or similar article according to the design;
FIG. 2 is a front view thereof;
FIG. 3 is a rear view thereof;
FIG. 4 is a right side view thereof, the left side view being a mirror image of the right side view; and,
FIG. 5 is a top view thereof, the bottom view being a mirror image of the top view.

1 Claim, 2 Drawing Sheets



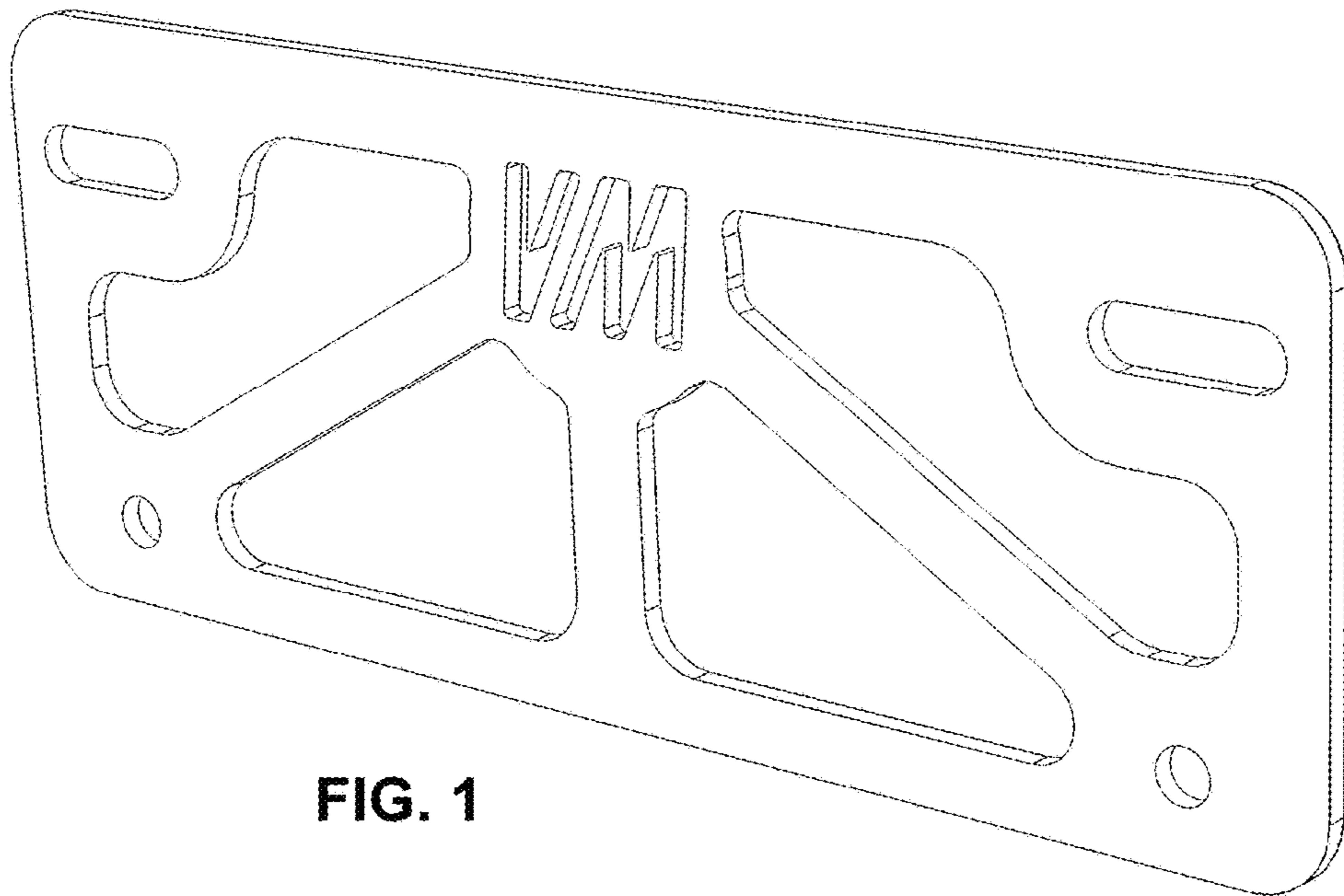


FIG. 1

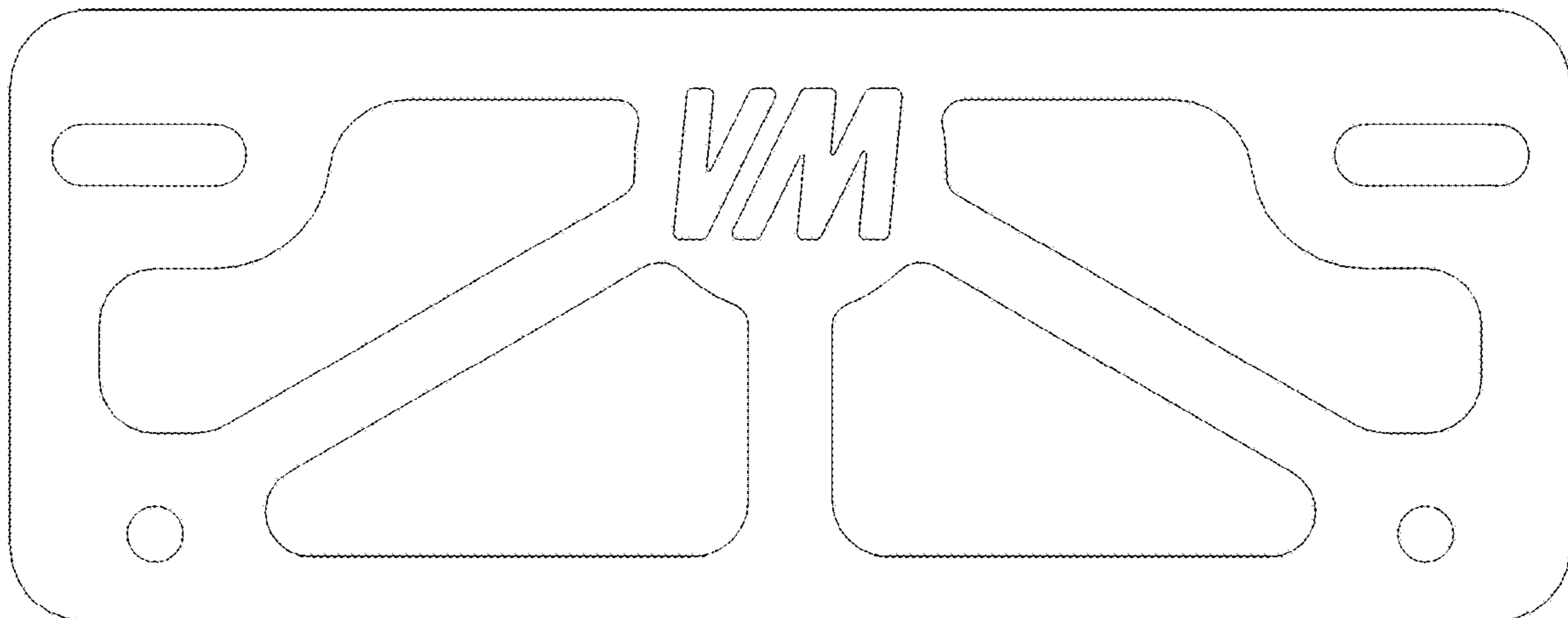


FIG. 2

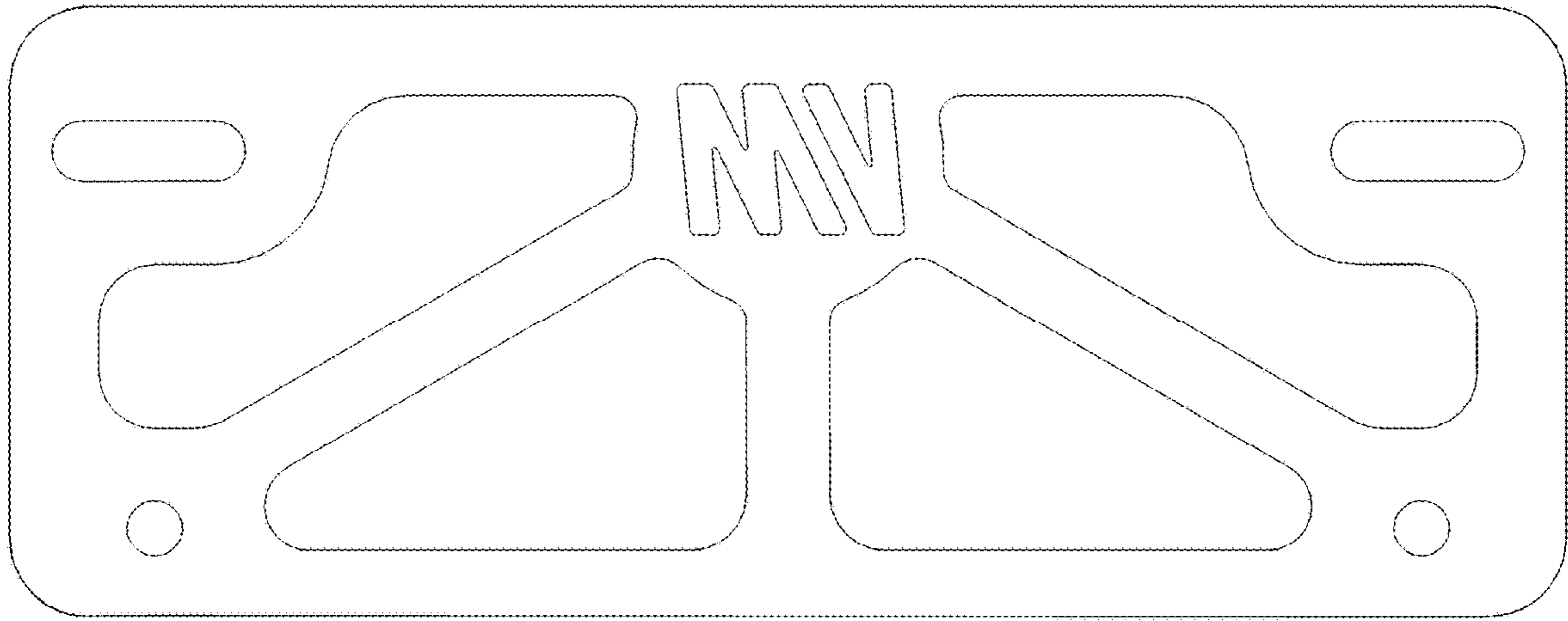


FIG. 3

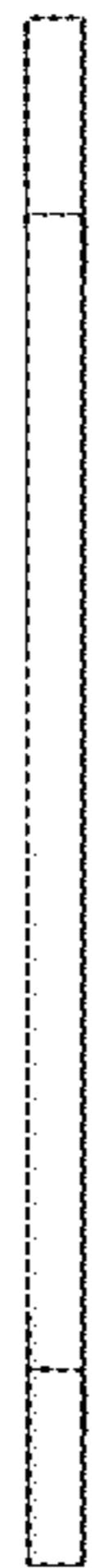


FIG. 4

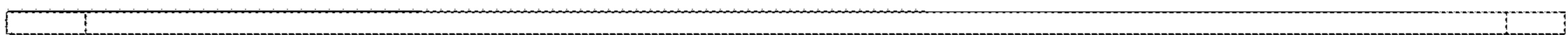


FIG. 5