



US00D892010S

(12) **United States Design Patent**  
**Tan**

(10) **Patent No.:** **US D892,010 S**

(45) **Date of Patent:** **\*\* Aug. 4, 2020**

(54) **VEHICLE VISOR**

(71) Applicant: **Shenzhen Miruisi Technology Co., Ltd.**, Shenzhen (CN)

(72) Inventor: **Longwu Tan**, Shenzhen (CN)

(73) Assignee: **SHENZHEN MIRUISI TECHNOLOGY CO., LTD.**, Shenzhen (CN)

(\*\*) Term: **15 Years**

(21) Appl. No.: **29/670,638**

(22) Filed: **Nov. 19, 2018**

(51) **LOC (12) Cl.** ..... **12-16**

(52) **U.S. Cl.**  
USPC ..... **D12/191**

(58) **Field of Classification Search**  
USPC ..... D12/191, 181, 183–185, 106, 417,  
D12/311–312  
CPC ..... B60J 3/0208; B60J 3/02  
See application file for complete search history.

(56) **References Cited**

**U.S. PATENT DOCUMENTS**

D476,609 S \* 7/2003 Gibson ..... D12/191  
D561,671 S \* 2/2008 Ma ..... D12/191

D566,636 S \* 4/2008 Ma ..... D12/191  
D628,532 S \* 12/2010 Niu ..... D12/417  
D764,425 S \* 8/2016 Boyer, Jr. .... D14/132  
D792,996 S \* 7/2017 Moeller ..... D26/65  
D797,629 S \* 9/2017 Abruzzio ..... D12/191  
D798,304 S \* 9/2017 Sung ..... D14/447  
D807,843 S \* 1/2018 Harris ..... D14/126  
D807,847 S \* 1/2018 Ahn ..... D14/126  
D833,350 S \* 11/2018 Windel ..... D12/191  
2018/0162202 A1 \* 6/2018 Yoshimi ..... B60J 3/0278

\* cited by examiner

*Primary Examiner* — Katrina A Betton

(57) **CLAIM**

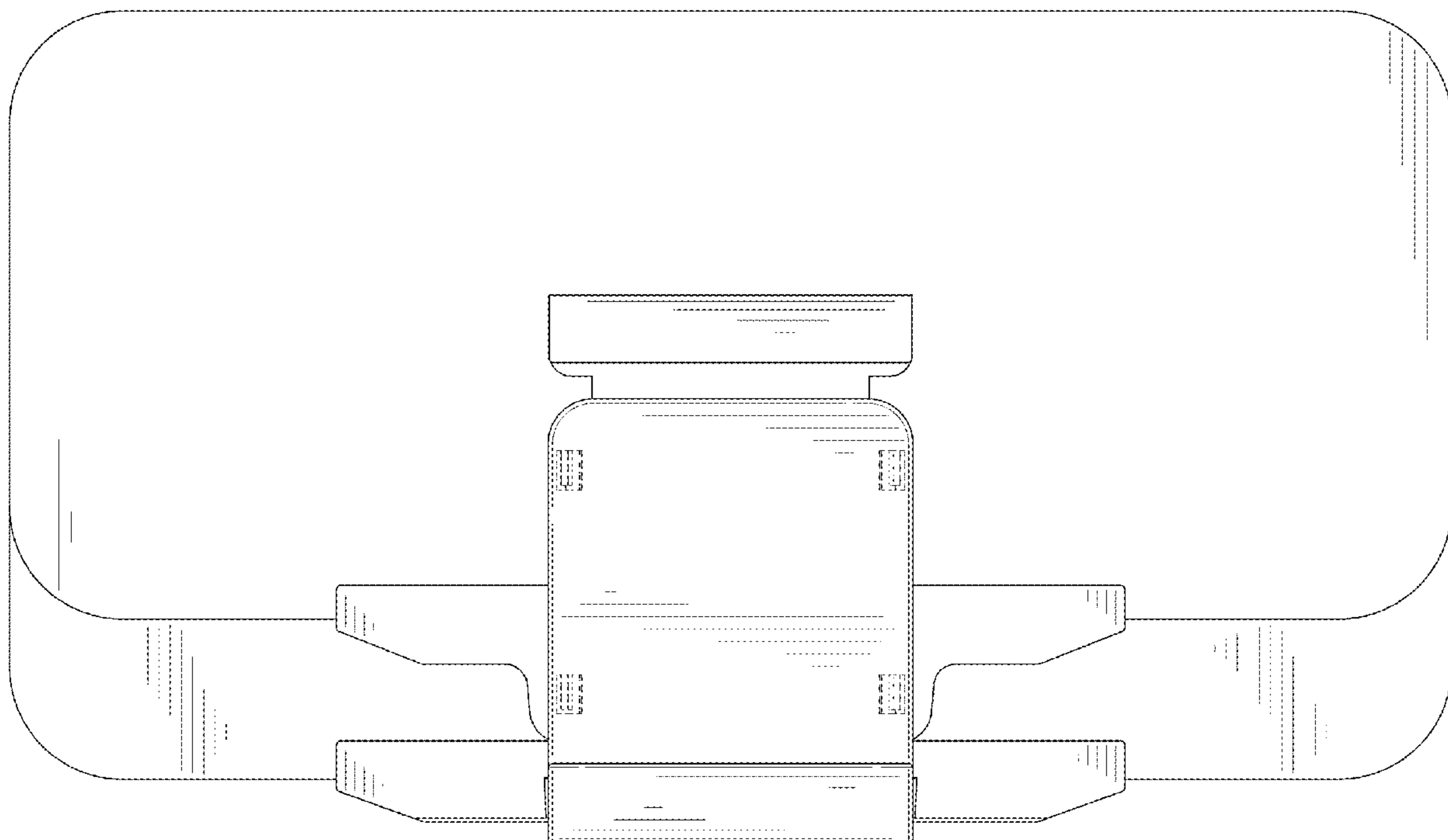
The ornamental design for a vehicle visor, as shown and described.

**DESCRIPTION**

FIG. 1 is a perspective view of the vehicle visor showing my new design;  
FIG. 2 is another perspective view thereof;  
FIG. 3 is another perspective view thereof;  
FIG. 4 is a front elevational view thereof;  
FIG. 5 is a rear devotional view thereof;  
FIG. 6 is a left side elevational view thereof;  
FIG. 7 is a right side elevational view thereof;  
FIG. 8 is a top plan view thereof; and,  
FIG. 9 is a bottom plan view thereof.

The broken lines illustrate portions of the vehicle visor that form no part of the claimed design.

**1 Claim, 9 Drawing Sheets**



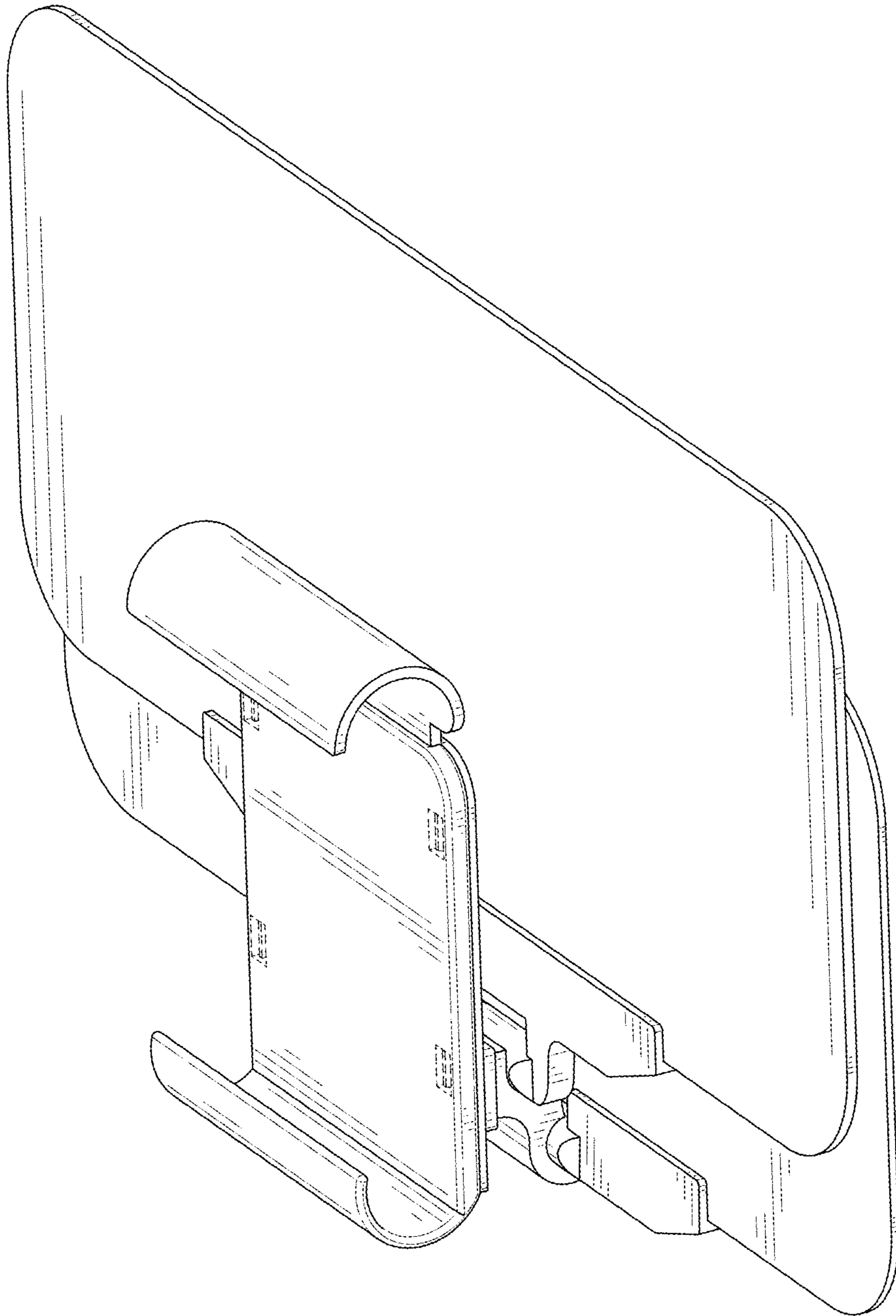


FIG. 1

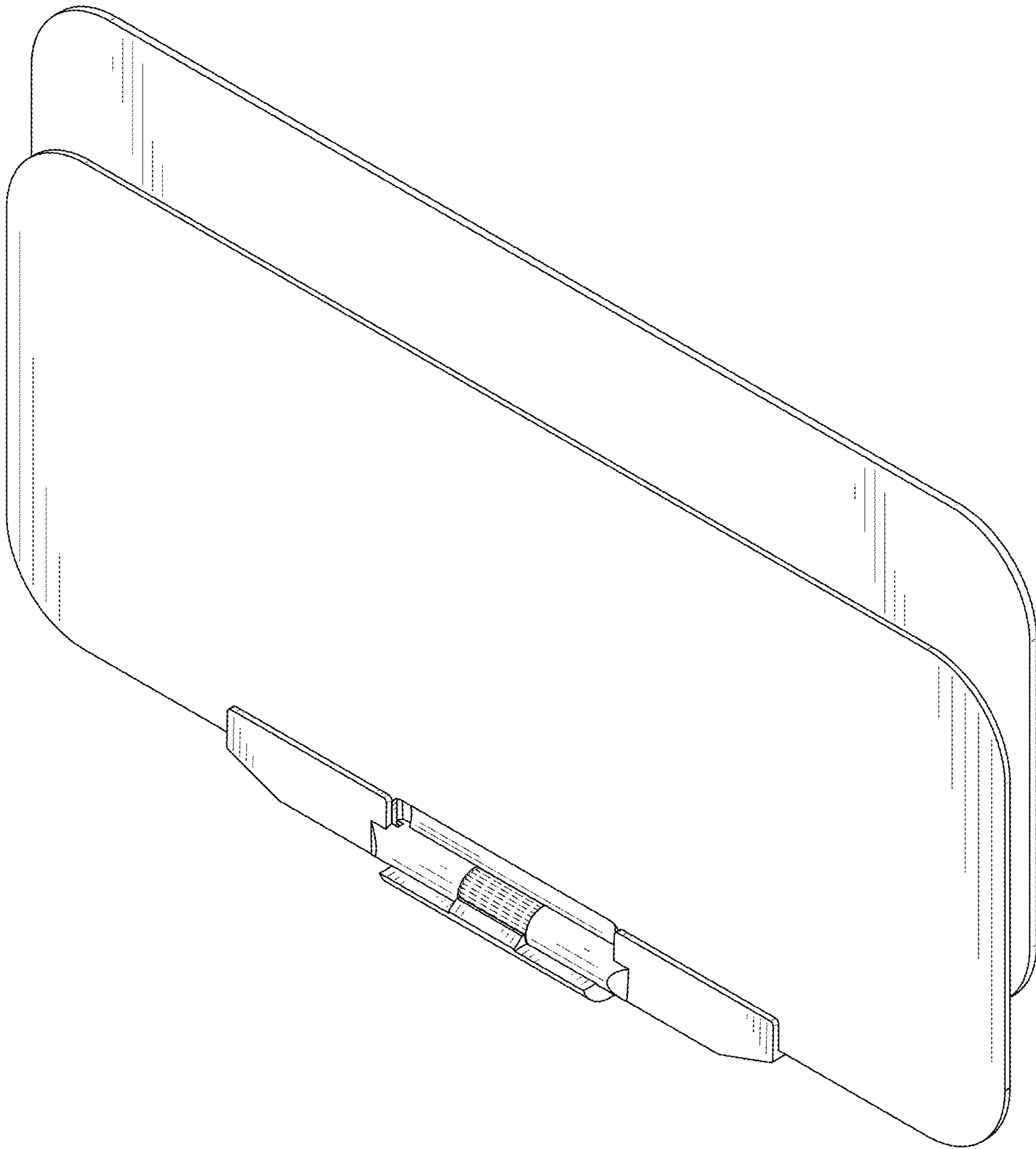


FIG. 2

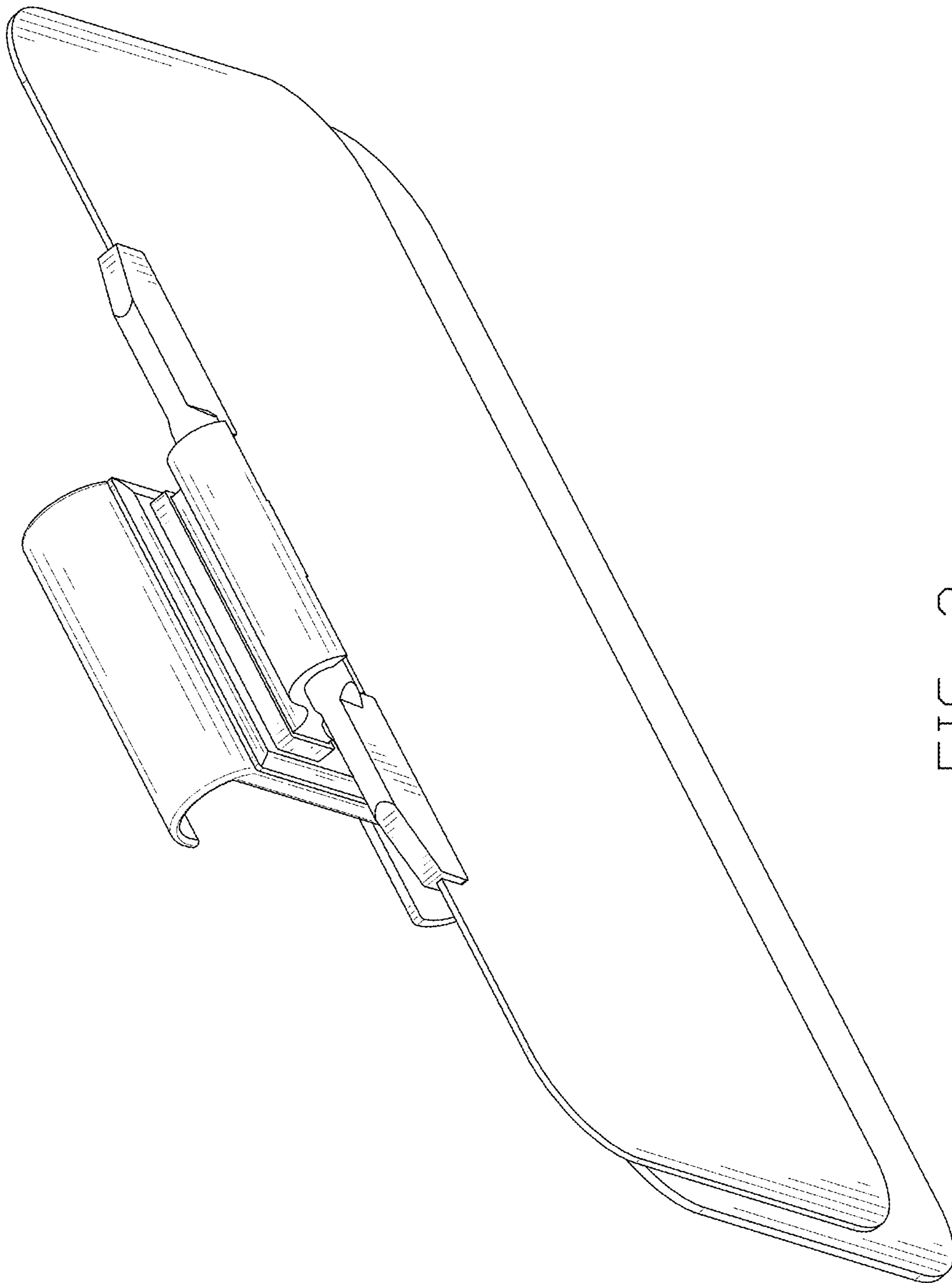


FIG. 3

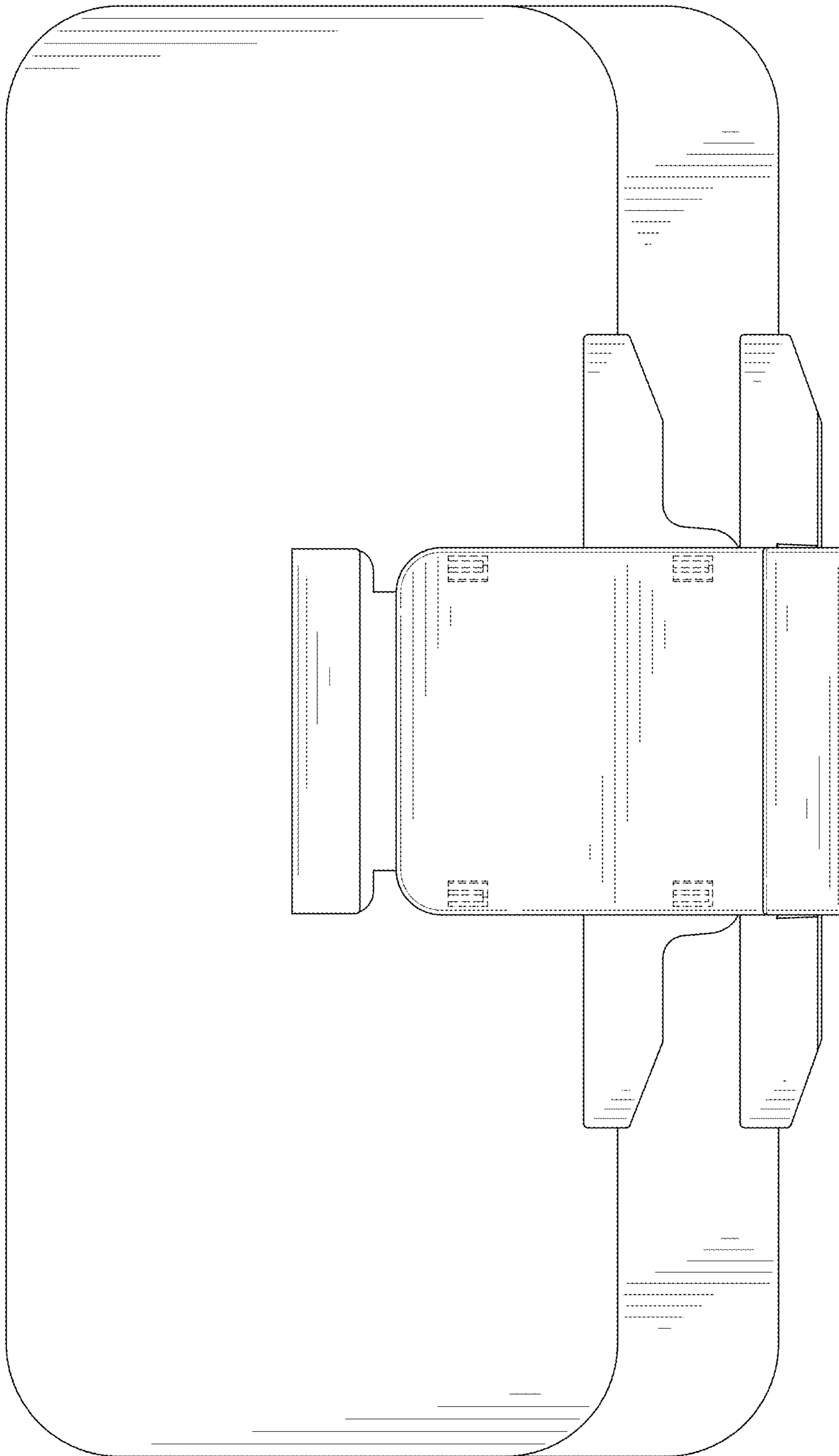


FIG. 4

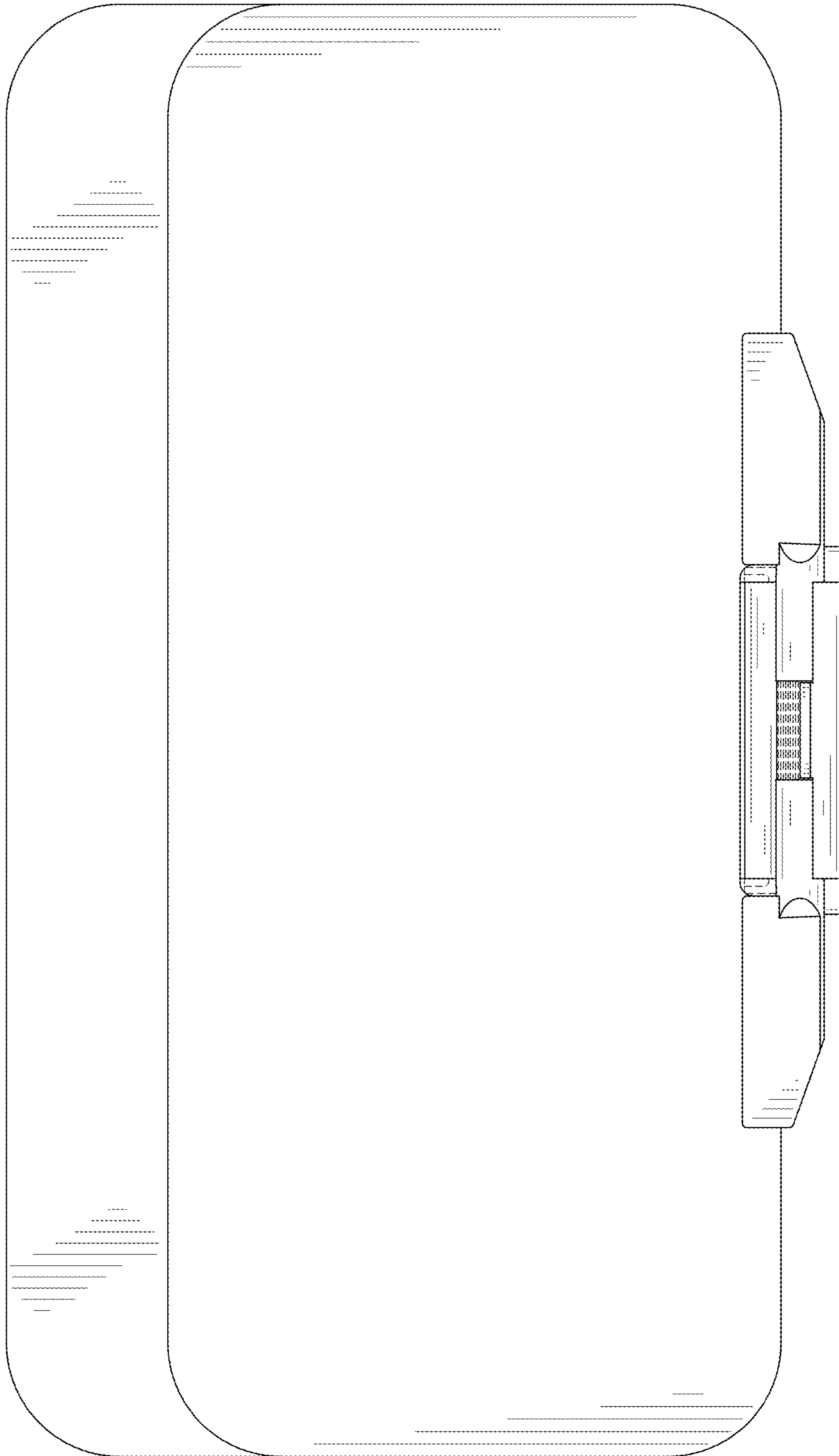


FIG. 5

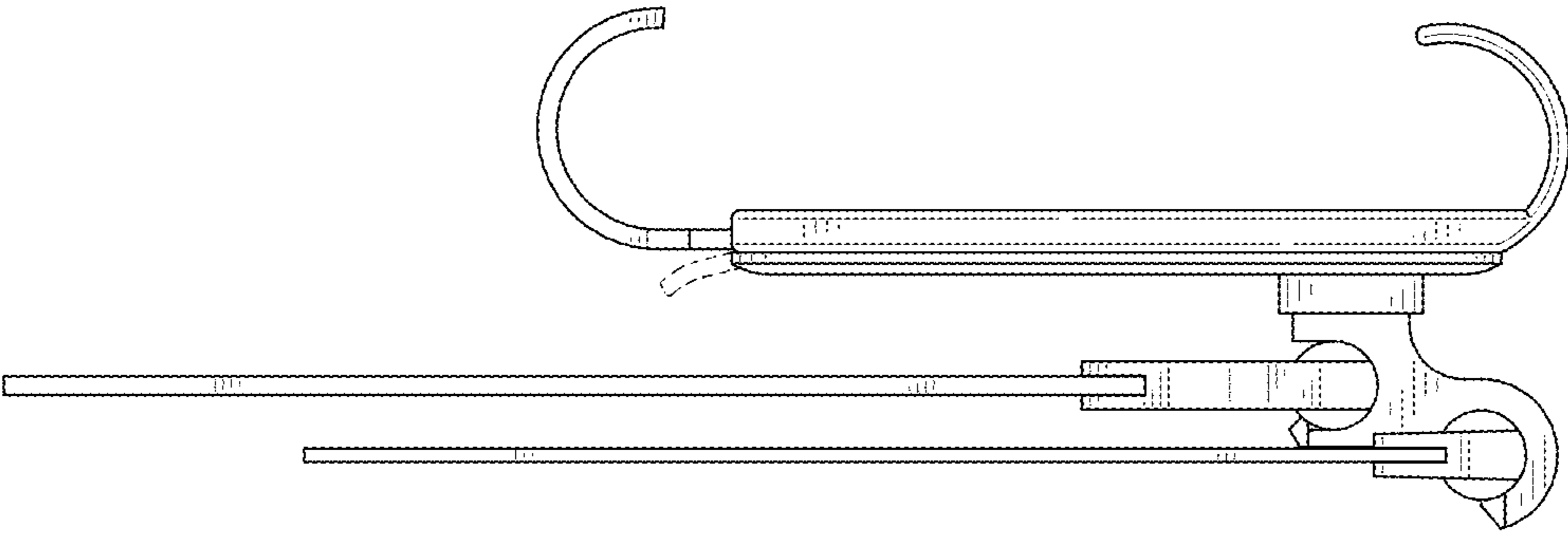


FIG. 6

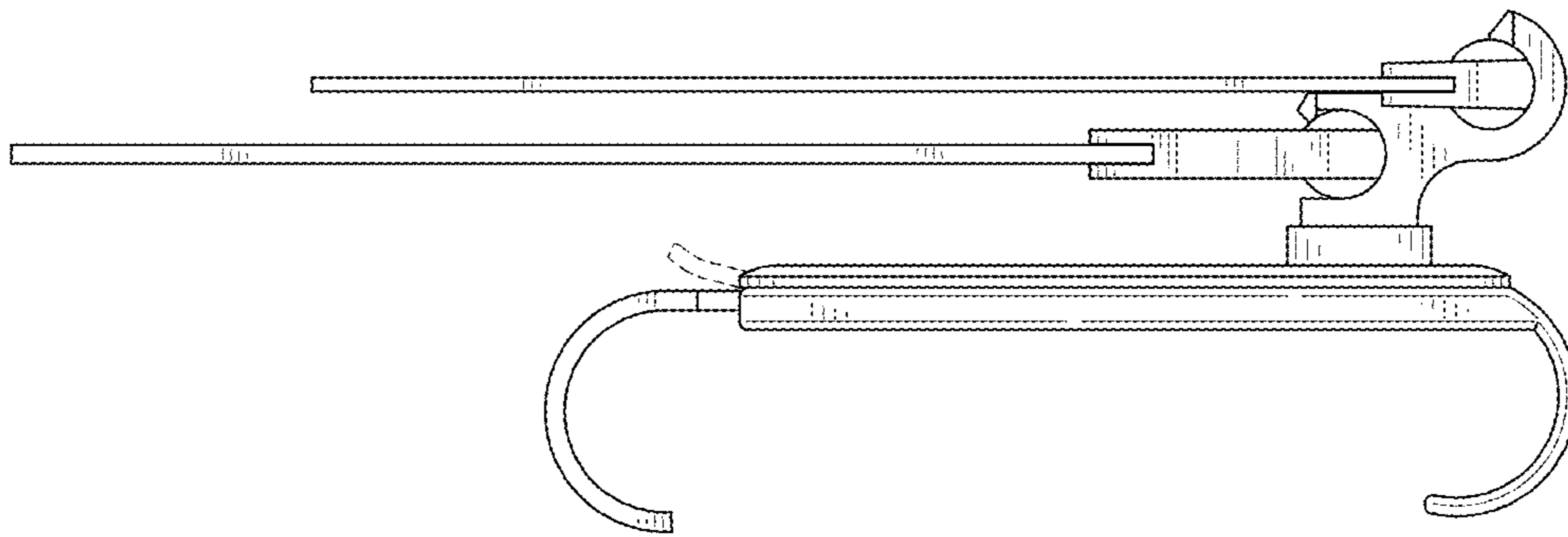


FIG. 7



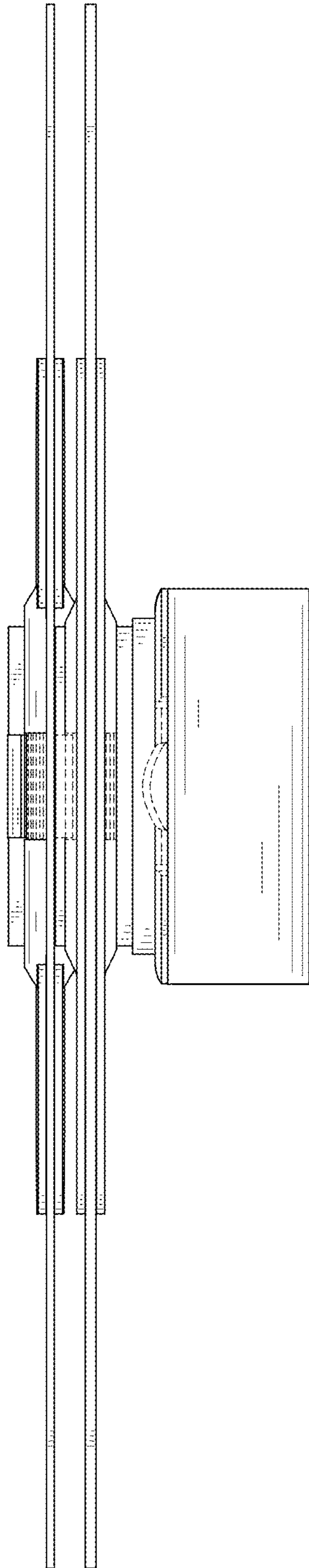


FIG. 8

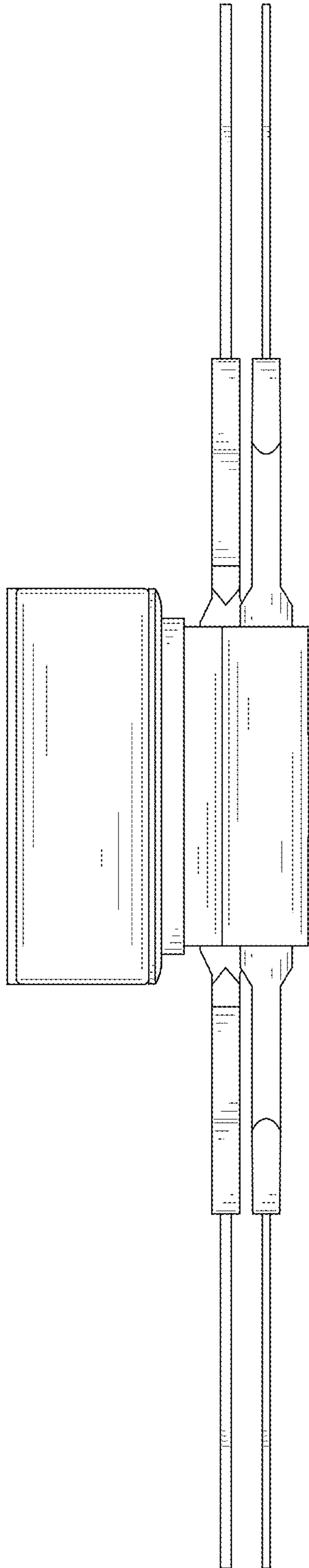


FIG. 9