



US00D892009S

(12) **United States Design Patent** (10) **Patent No.:** **US D892,009 S**
Russell et al. (45) **Date of Patent:** **** Aug. 4, 2020**

(54) **TAIL LIGHT GUARD**

(71) Applicant: **OMIX-ADA, INC.**, Ann Arbor, MI (US)

(72) Inventors: **Eric Lance Russell**, Lilburn, GA (US);
Patrick W. Bennett, Gainesville, GA (US)

(73) Assignee: **OMIX-ADA, INC.**, Ann Arbor, MI (US)

(**) Term: **15 Years**

(21) Appl. No.: **29/667,401**

(22) Filed: **Oct. 22, 2018**

(51) **LOC (12) Cl.** **12-16**

(52) **U.S. Cl.**
USPC **D12/190**

(58) **Field of Classification Search**
USPC D12/98, 139, 167, 190, 400; D26/28-36,
D26/139

(Continued)

(56) **References Cited**

U.S. PATENT DOCUMENTS

D75,985 S 8/1928 Rockhill
D178,895 S * 10/1956 McKnight D15/31
(Continued)

FOREIGN PATENT DOCUMENTS

CN 205227216 U 5/2016
CN 205239299 U 5/2016

OTHER PUBLICATIONS

“How to Install a Tail Light Guard,” <http://www.jcwhitney.com/tail-light-guard>, Nov. 22, 2016.

(Continued)

Primary Examiner — Darlington Ly
(74) *Attorney, Agent, or Firm* — The Dobrusin Law Firm, P.C.

(57) **CLAIM**

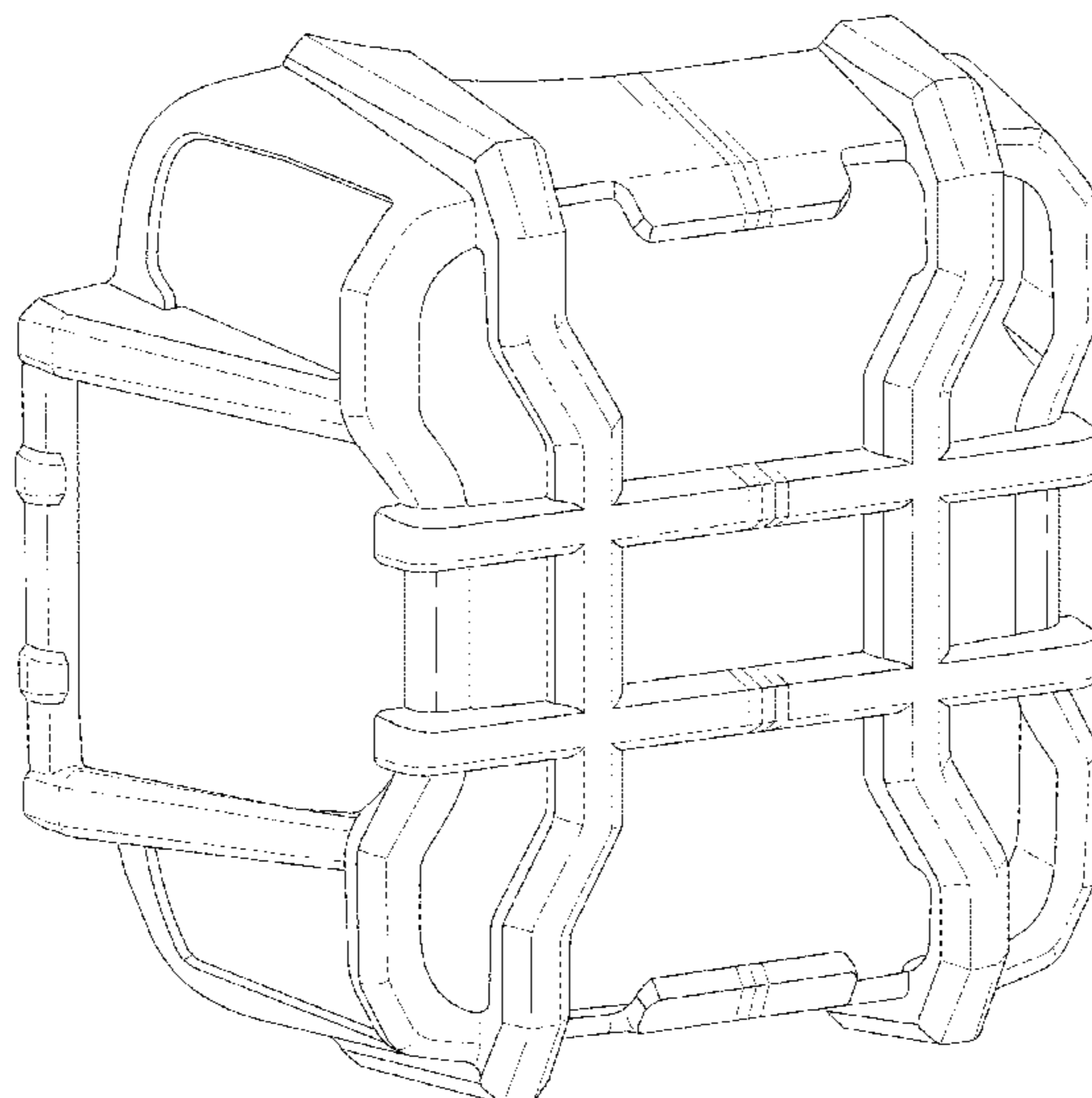
The ornamental design for a tail light guard, as shown and described.

DESCRIPTION

FIG. 1 is a front perspective view of a tail light guard showing our new design;
FIG. 2 is a front elevation view thereof;
FIG. 3 is a rear elevation view thereof;
FIG. 4 is a top plan view thereof;
FIG. 5 is a bottom plan view thereof;
FIG. 6 is a left side elevation view thereof;
FIG. 7 is a right side elevation view thereof;
FIG. 8 is a front perspective view thereof with an environmental rear cage attached;
FIG. 9 is a front elevation view thereof with an environmental rear cage attached;
FIG. 10 is a rear elevation view thereof with an environmental rear cage attached;
FIG. 11 is a top plan view thereof with an environmental rear cage attached;
FIG. 12 is a bottom plan view thereof with an environmental rear cage attached;
FIG. 13 is a left side elevation view thereof with an environmental rear cage attached;
FIG. 14 is a right side elevation view thereof with an environmental rear cage attached;
FIG. 15 is a rear perspective view thereof with an environmental rear cage attached; and,
FIG. 16 is a front perspective view thereof connected to a tail light.

The broken line showings of the rear cage and tail light portions are provided for the purpose of illustrating environmental structure and do not form part of the claimed design.

1 Claim, 12 Drawing Sheets



- (58) **Field of Classification Search**
 CPC .. F21S 45/10; F21S 48/00; F21S 48/10; F21S
 48/115; F21S 48/225; F21S 48/1233;
 F21S 48/1266; F21S 48/1388; F21S
 48/2268; F21V 21/04; F21V 13/00; F21V
 29/004; B60Q 1/0005
 See application file for complete search history.

(56) **References Cited**

U.S. PATENT DOCUMENTS

3,514,589	A	5/1970	Huber	
3,818,211	A	6/1974	Wilfert et al.	
4,153,928	A	5/1979	Speedy	
D282,687	S	2/1986	McMahon	
D288,008	S	1/1987	McMahon	
D288,137	S	2/1987	Hirano	
D289,087	S	3/1987	Kobata	
4,807,094	A	2/1989	Mateos et al.	
4,994,942	A	2/1991	Georgeff	
D316,460	S	4/1991	Neece	
D316,461	S	4/1991	McGlothlin	
D318,537	S *	7/1991	Allman	D26/139
5,205,633	A	4/1993	Kasboske	
D355,039	S	1/1995	Winick	
D364,704	S *	11/1995	Alger	D12/167
5,482,336	A	1/1996	Rouse et al.	
D387,469	S	12/1997	Saleen	
D387,471	S	12/1997	Alger	
D390,821	S *	2/1998	Thorne	D12/190
5,876,003	A	3/1999	Waagenaar	
D412,214	S	7/1999	Hejtmanek	
D425,240	S	5/2000	Goeckeritz	
D427,363	S	6/2000	Sacco et al.	
D432,064	S *	10/2000	Hartog	D12/190
D472,004	S	3/2003	Pfeiffer et al.	
D485,935	S	1/2004	Tsai	
D485,936	S	1/2004	Tsai	
D487,531	S	3/2004	Tsai	
D488,254	S	4/2004	Tsai	
D488,255	S	4/2004	Tsai	
D488,584	S	4/2004	Tsai	
D540,977	S *	4/2007	Hunkins	D26/119

D544,641	S *	6/2007	Elwell	D26/139
D544,642	S *	6/2007	Elwell	D26/139
7,261,346	B1	8/2007	Kubesh	
7,314,245	B1	1/2008	Shymkiw	
D578,684	S	10/2008	Marquardt	
D583,502	S *	12/2008	Schuler	D26/121
D586,273	S	2/2009	Hamburger	
D589,836	S	4/2009	Pokorny	
D591,188	S	4/2009	Pokorny	
D595,172	S	6/2009	Pokorny	
D607,392	S *	1/2010	Shymkiw	D12/190
7,695,033	B2	4/2010	Mae et al.	
D618,537	S	6/2010	Panzer et al.	
D632,424	S *	2/2011	Fesler	D26/139
D676,599	S	2/2013	Davidson et al.	
D677,424	S	3/2013	Parkes et al.	
D677,425	S	3/2013	Parkes et al.	
D701,993	S	4/2014	Wu	
D721,454	S *	1/2015	King	D26/139
D721,847	S	1/2015	Wu	
D721,848	S	1/2015	Wu	
D729,973	S *	5/2015	Gebhard	D26/138
9,310,044	B2 *	4/2016	Pusch	B60Q 1/2607
D802,810	S *	11/2017	Johns	D26/28
D805,245	S *	12/2017	Johns	D26/139
D815,994	S	4/2018	Nakamura	
10,059,251	B2 *	8/2018	Bennett	B60Q 1/30
10,202,066	B2 *	2/2019	Eboli, Jr.	F21S 45/10
D877,970	S *	3/2020	Bennett	D26/139
2008/0225542	A1	9/2008	Mertens et al.	
2018/0194271	A1 *	7/2018	Eboli, Jr.	F21S 45/10

OTHER PUBLICATIONS

2007 & Up Jeep® Wrangler Catalog 2015: Accessories, Performance & Replacement Parts, ruggedridge.com.
 "Rugged Ridge—Euro Tail Light Guards," <http://www.jcwhitney.com/rugged-ridge-euro-tail-light-guards/p3068679.jcwx>, Nov. 22, 2016.
 "For Jeep Wrangler Tail Light Covers 2007-2016 Black Metal Tail Lights Guards 2Pcs", DHgate.com., last accessed Dec. 12, 2018.
 "Rugged Ridge 11226.30 Tail Light Euro Guards for 15-18 Jeep Renegade BU" RuggedRidge.com, Quadratic, Inc., last accessed Dec. 12, 2018.

* cited by examiner

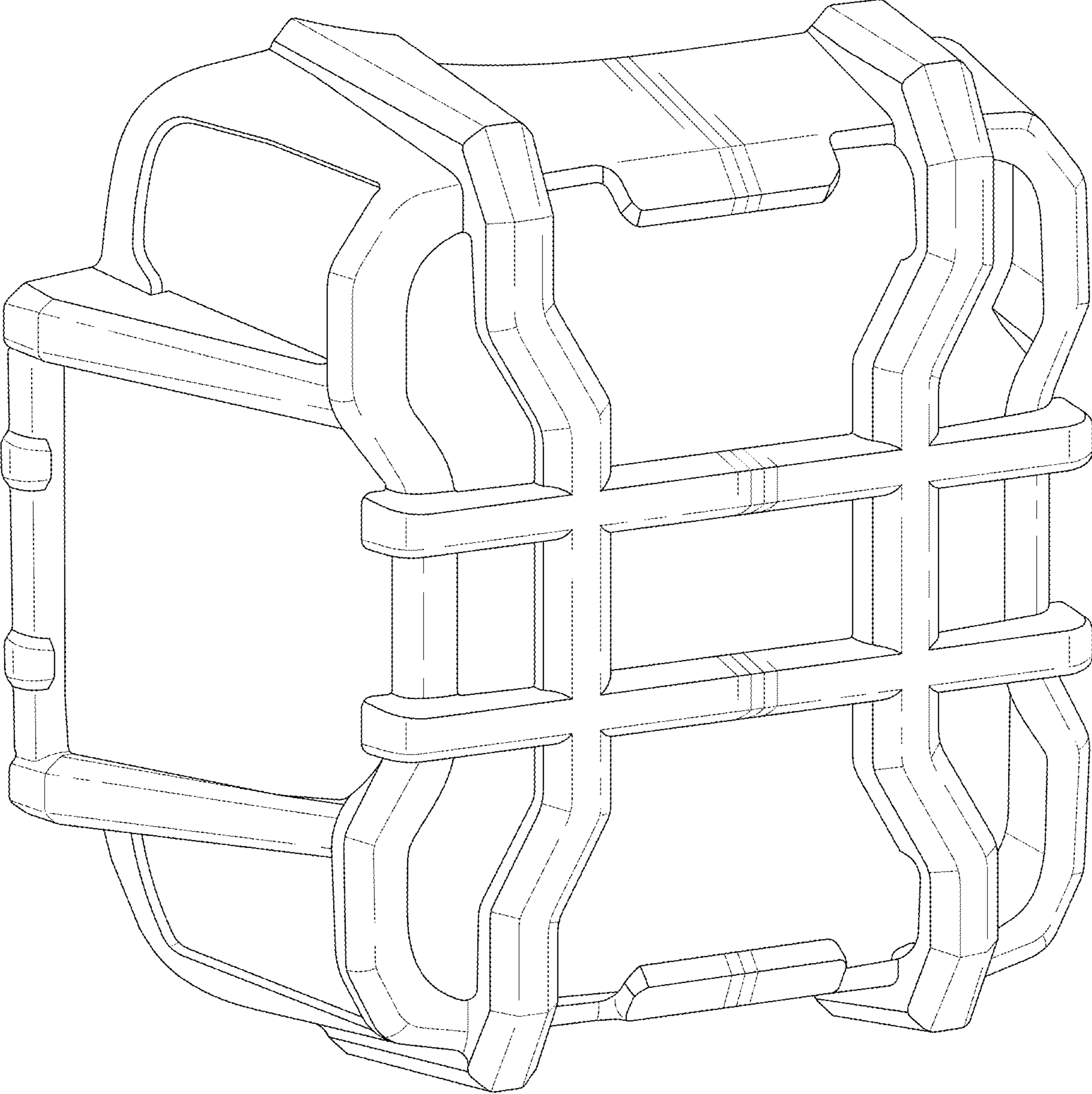


Fig-1

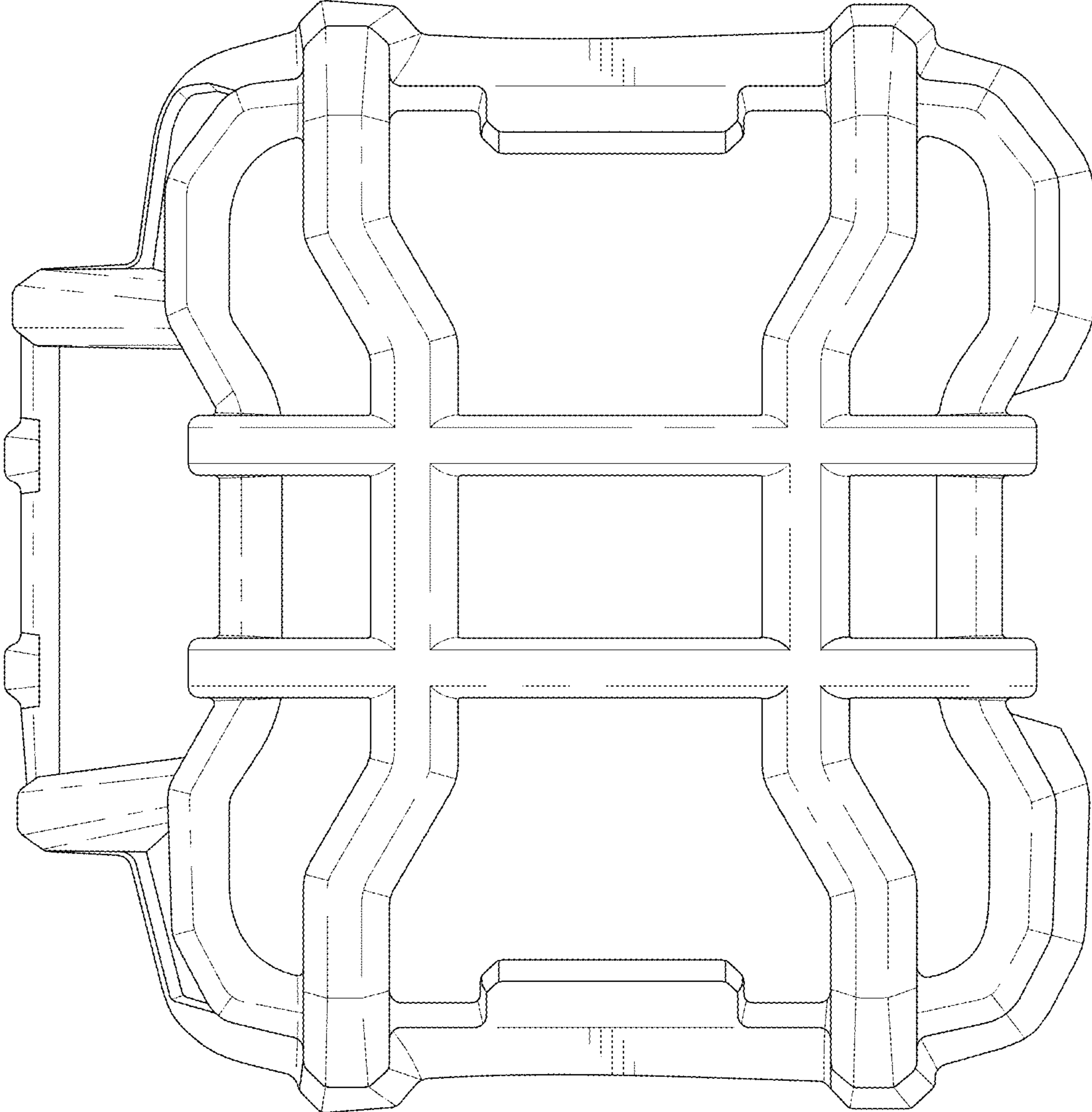


Fig-2

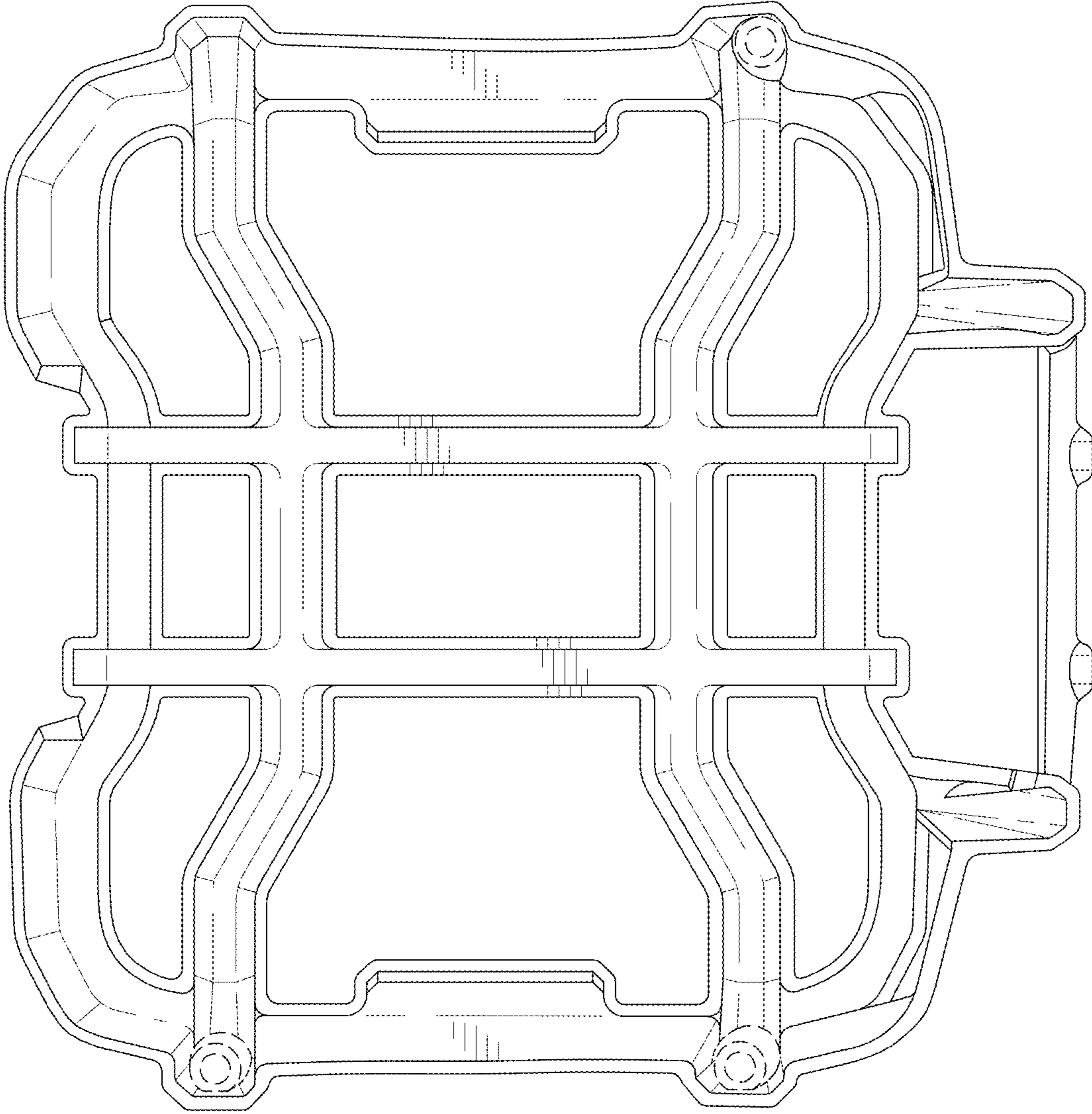


Fig-3

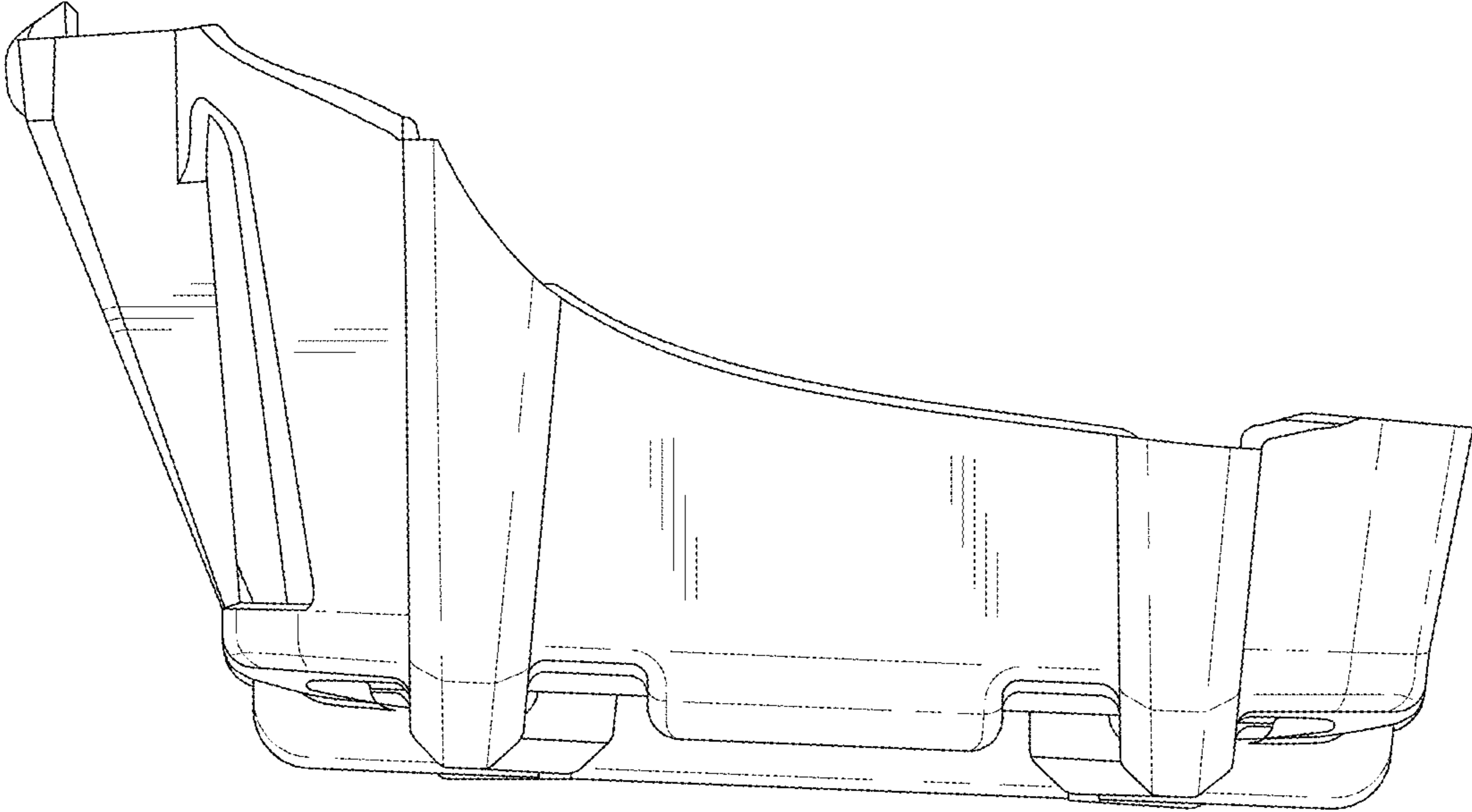


Fig-4

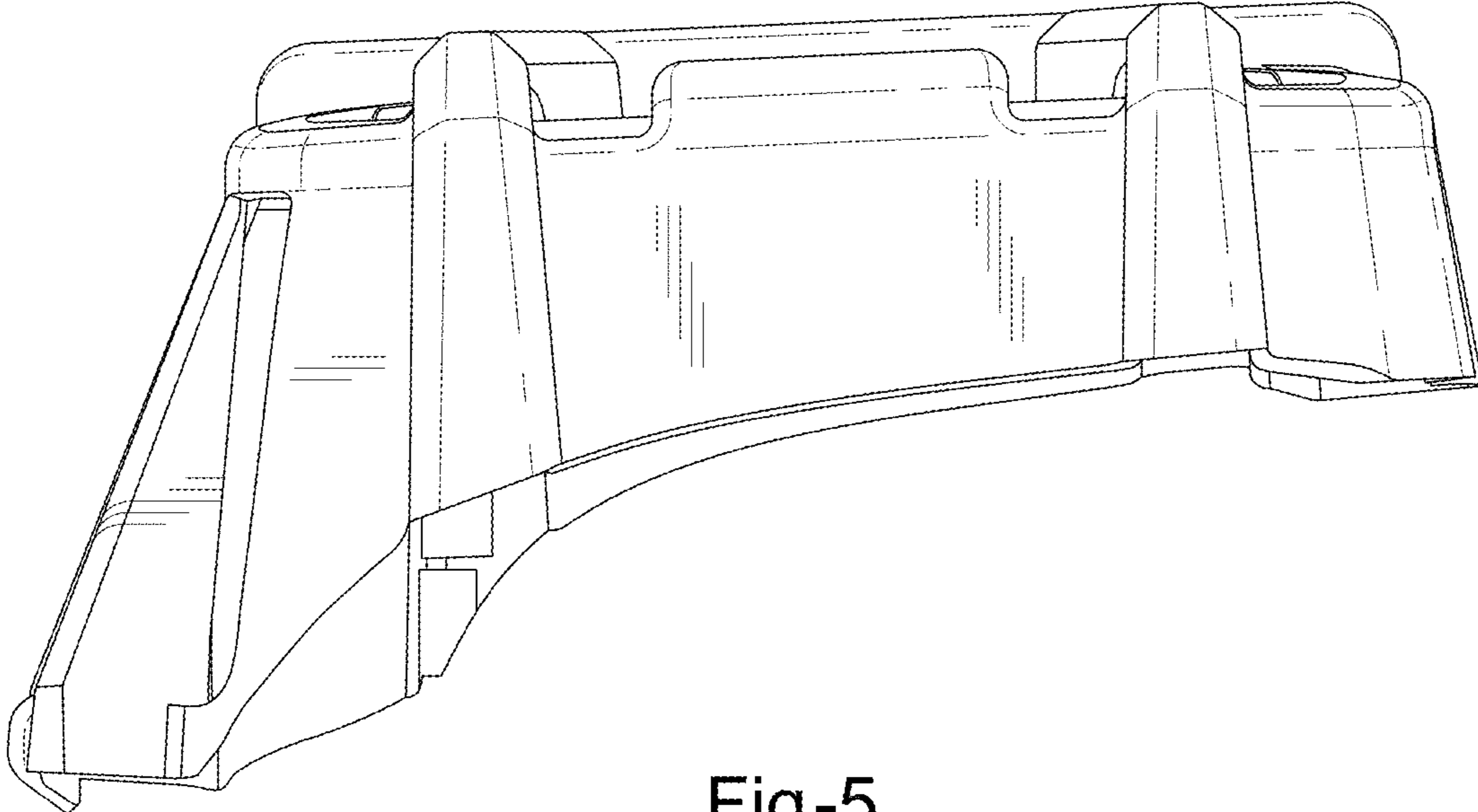


Fig-5

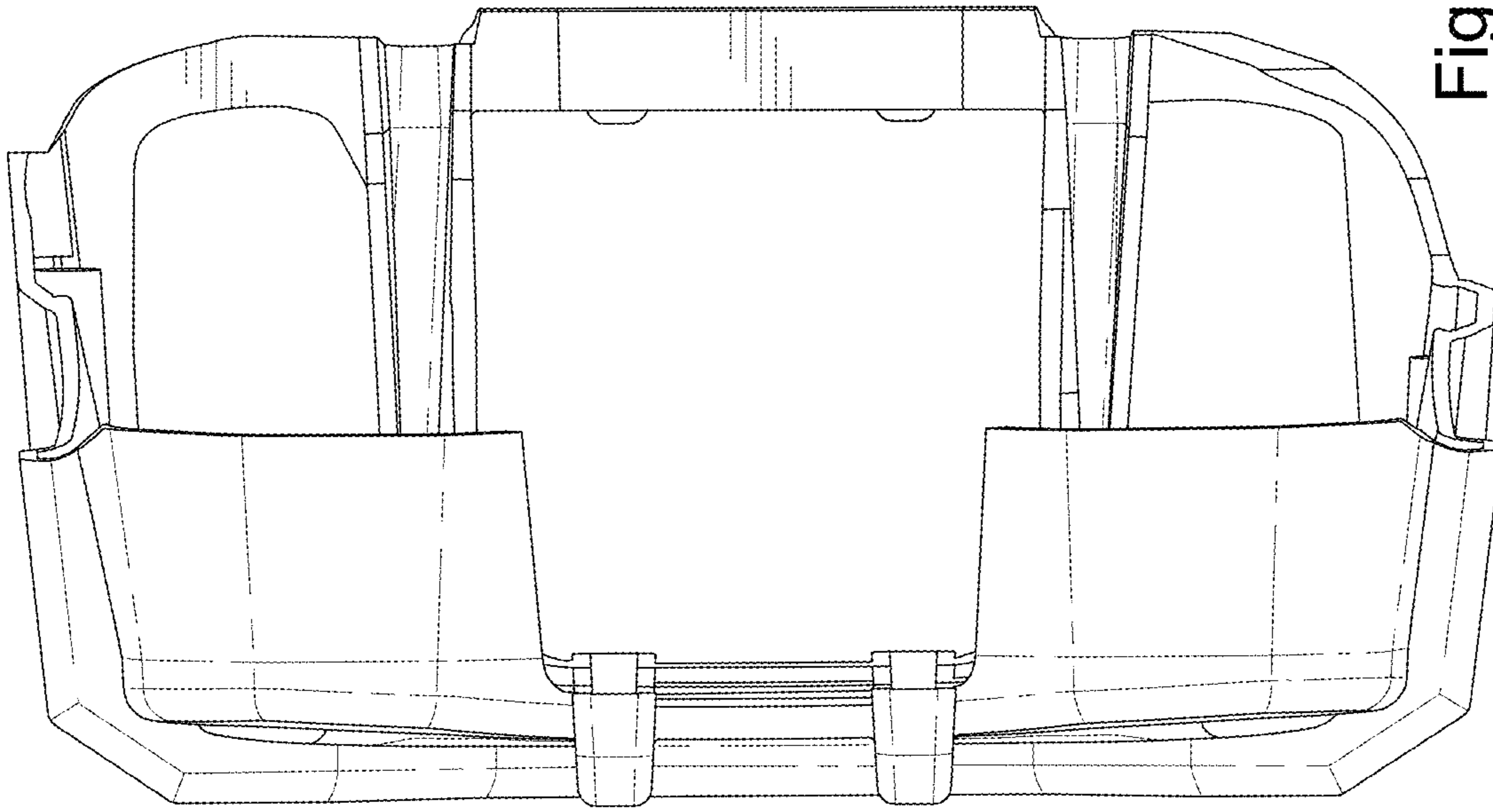


Fig-7

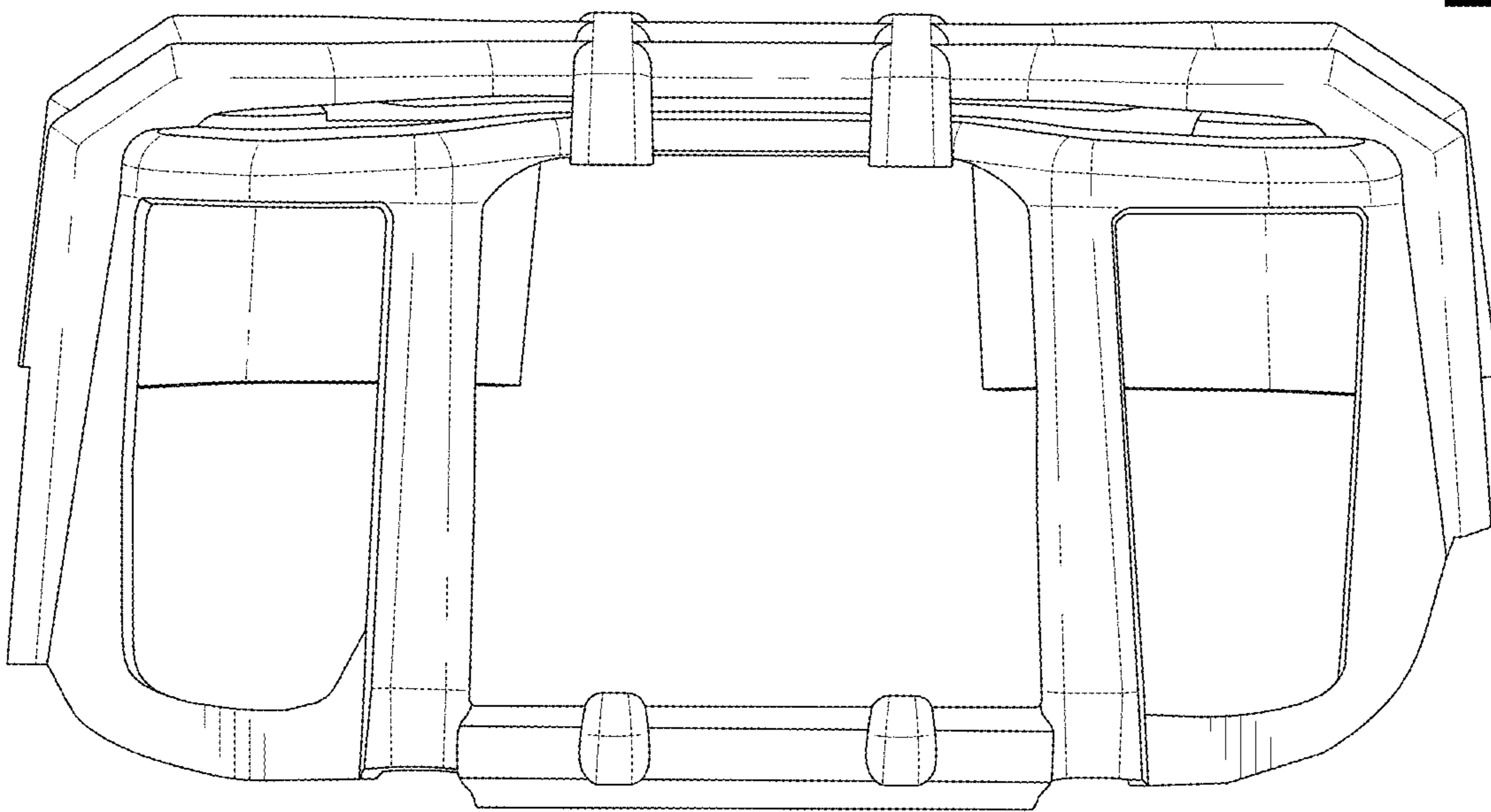


Fig-6

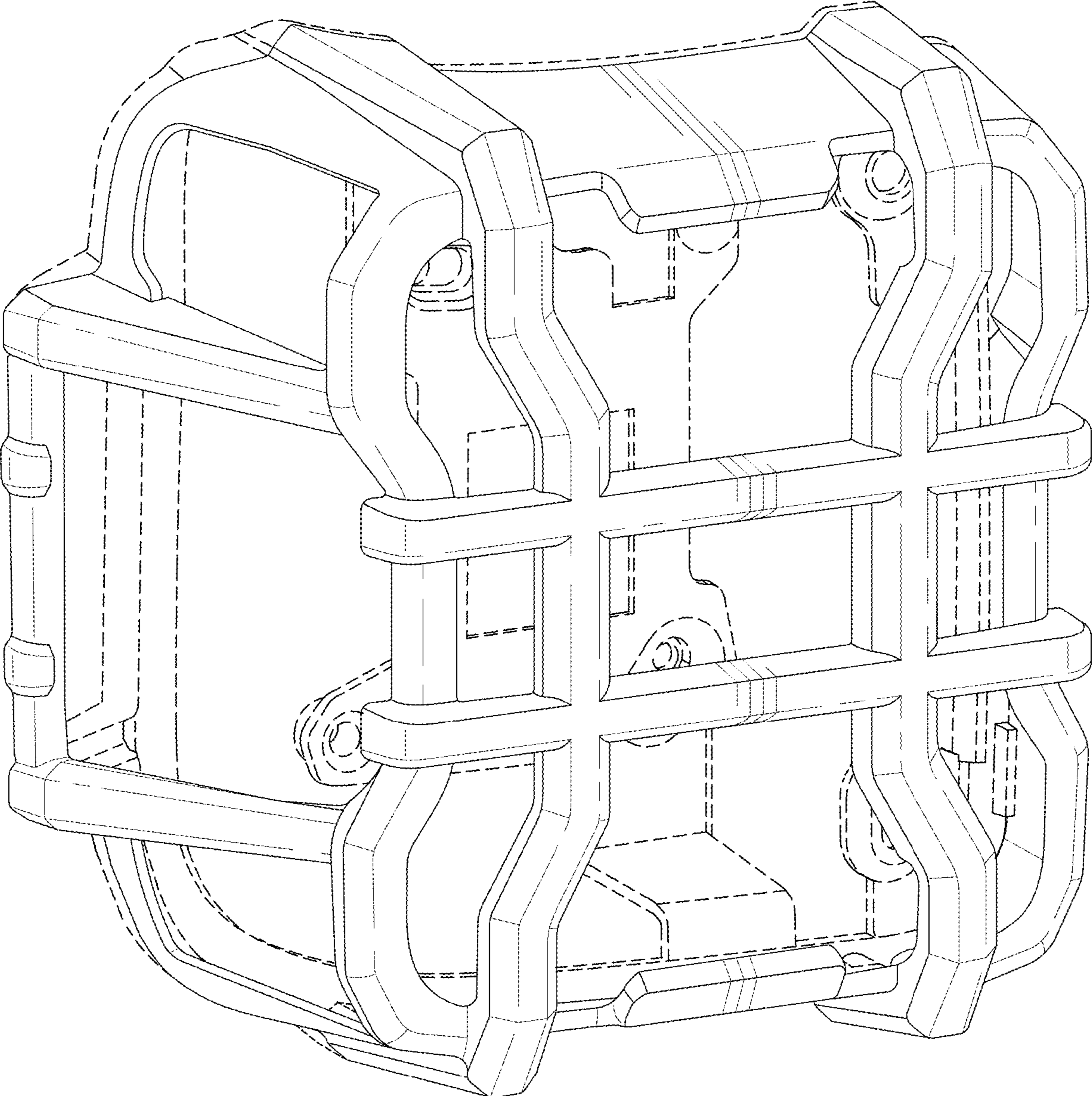


Fig-8

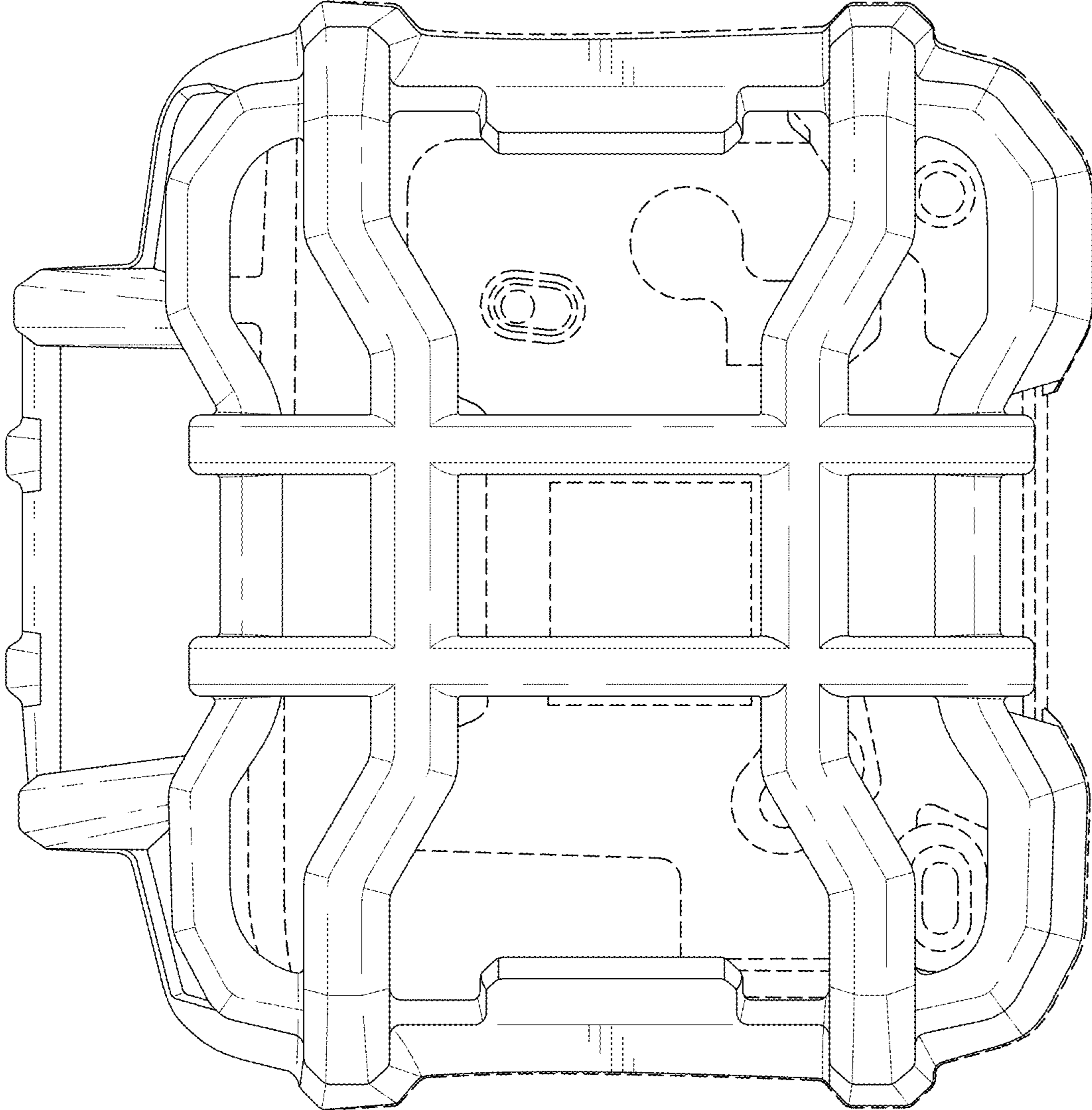


Fig-9

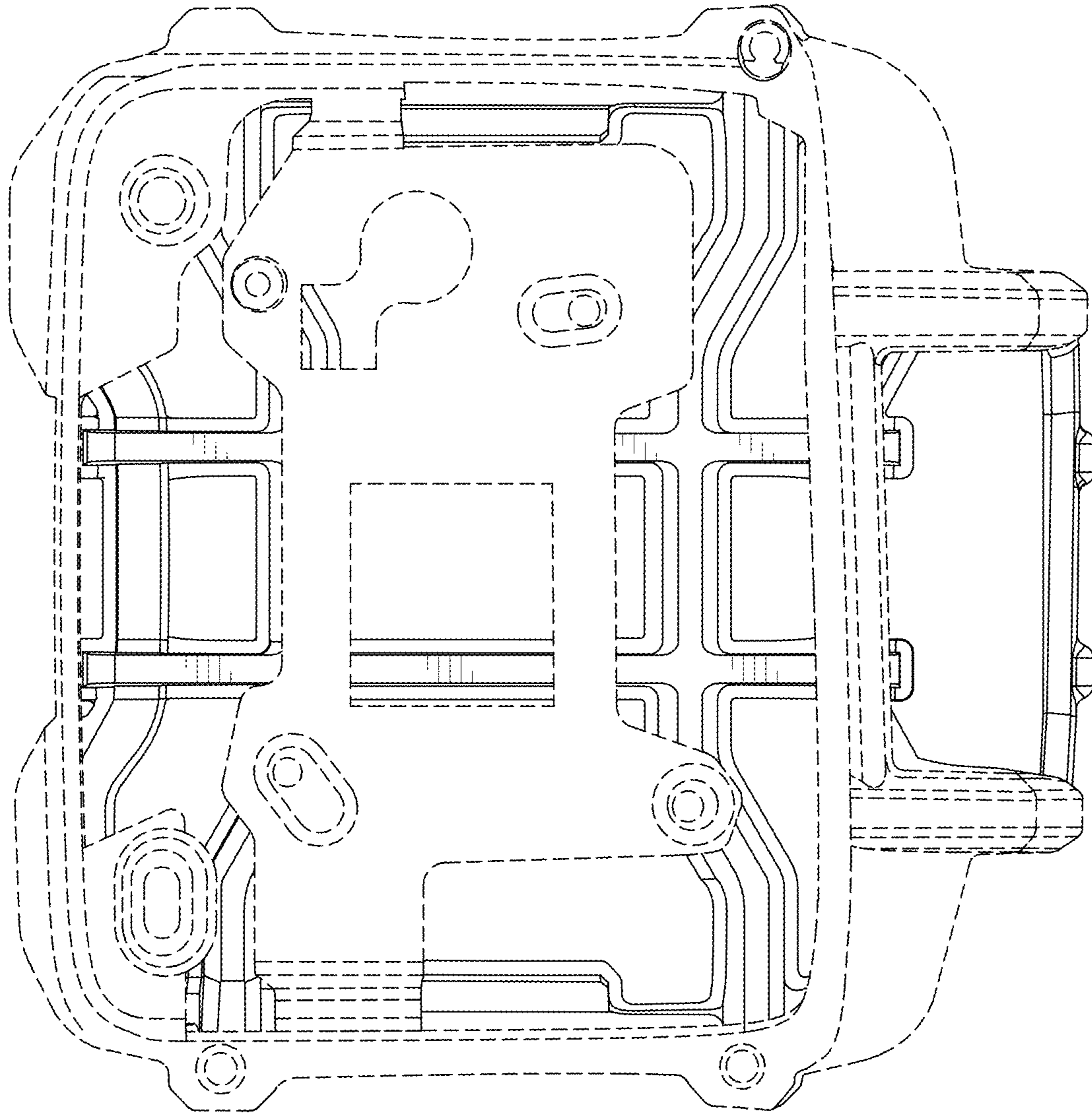


Fig-10

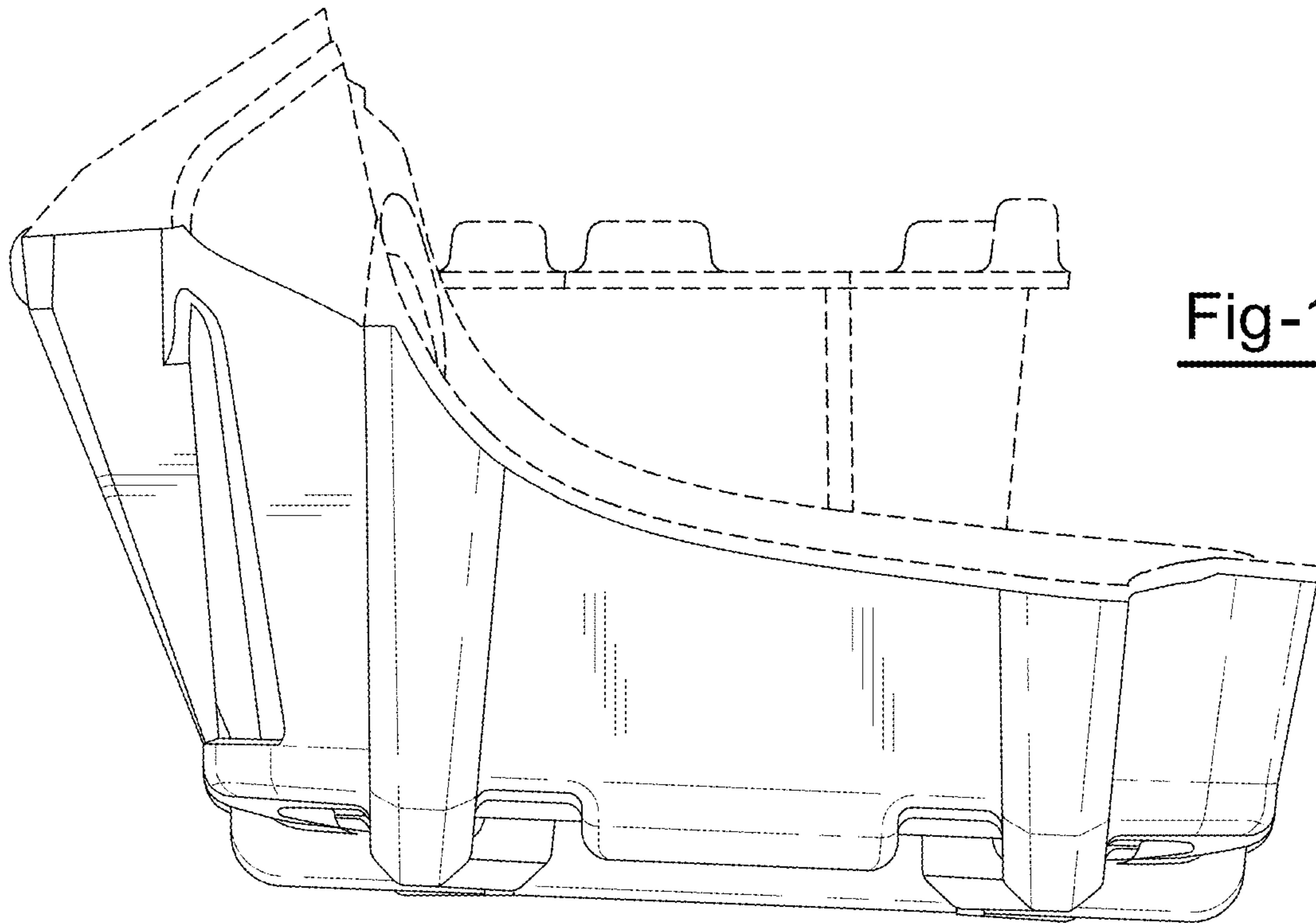


Fig-11

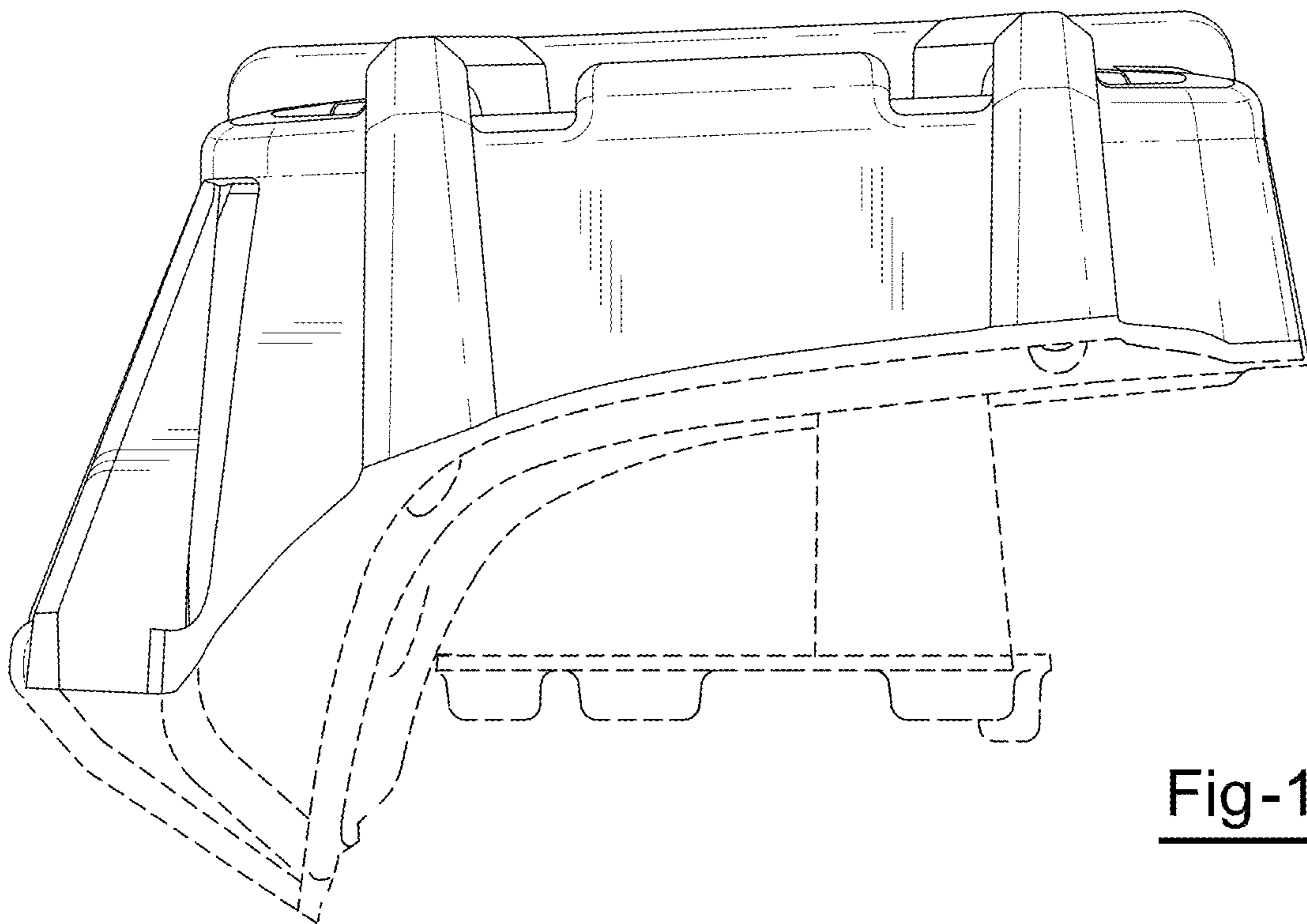


Fig-12

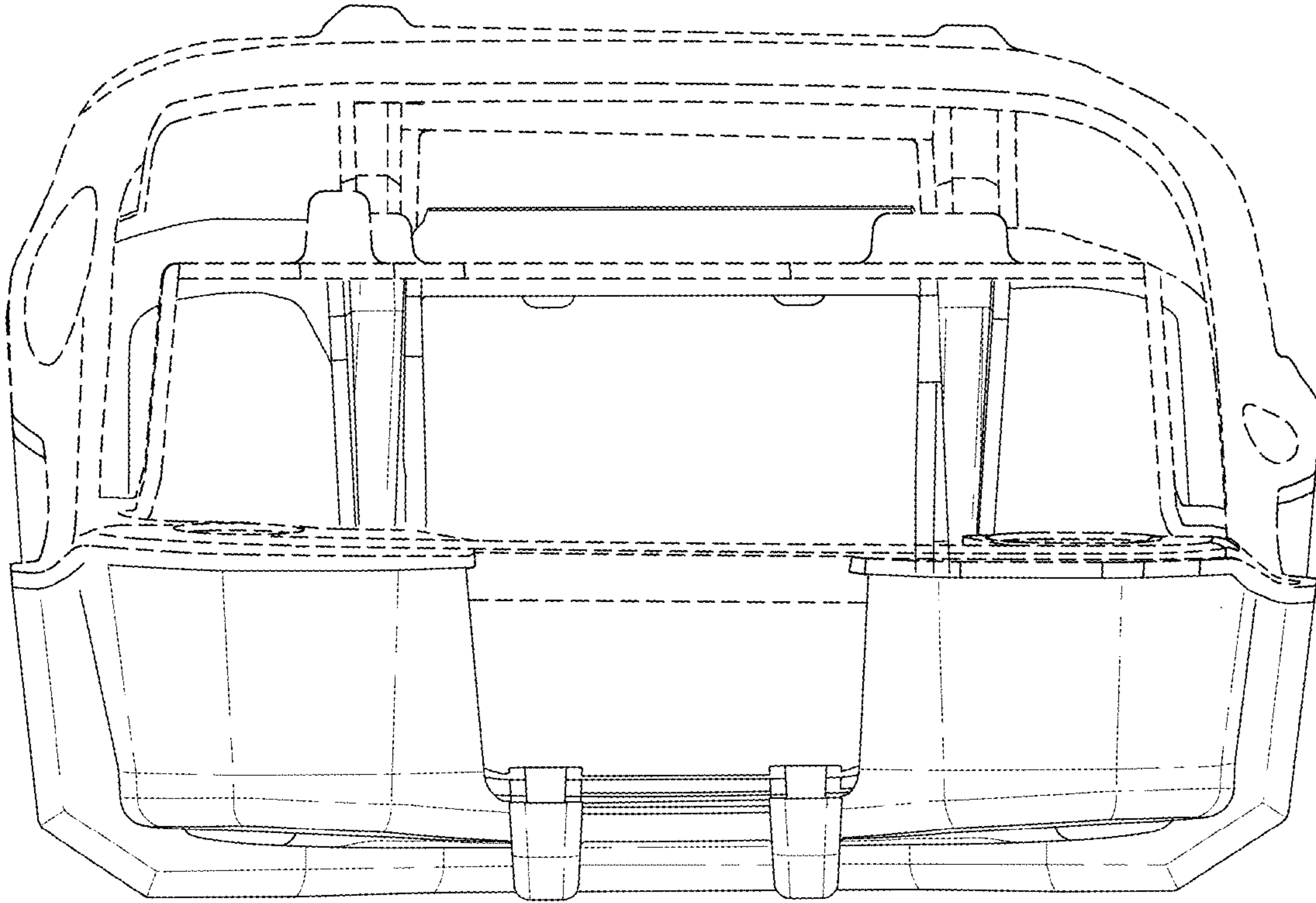


Fig-14

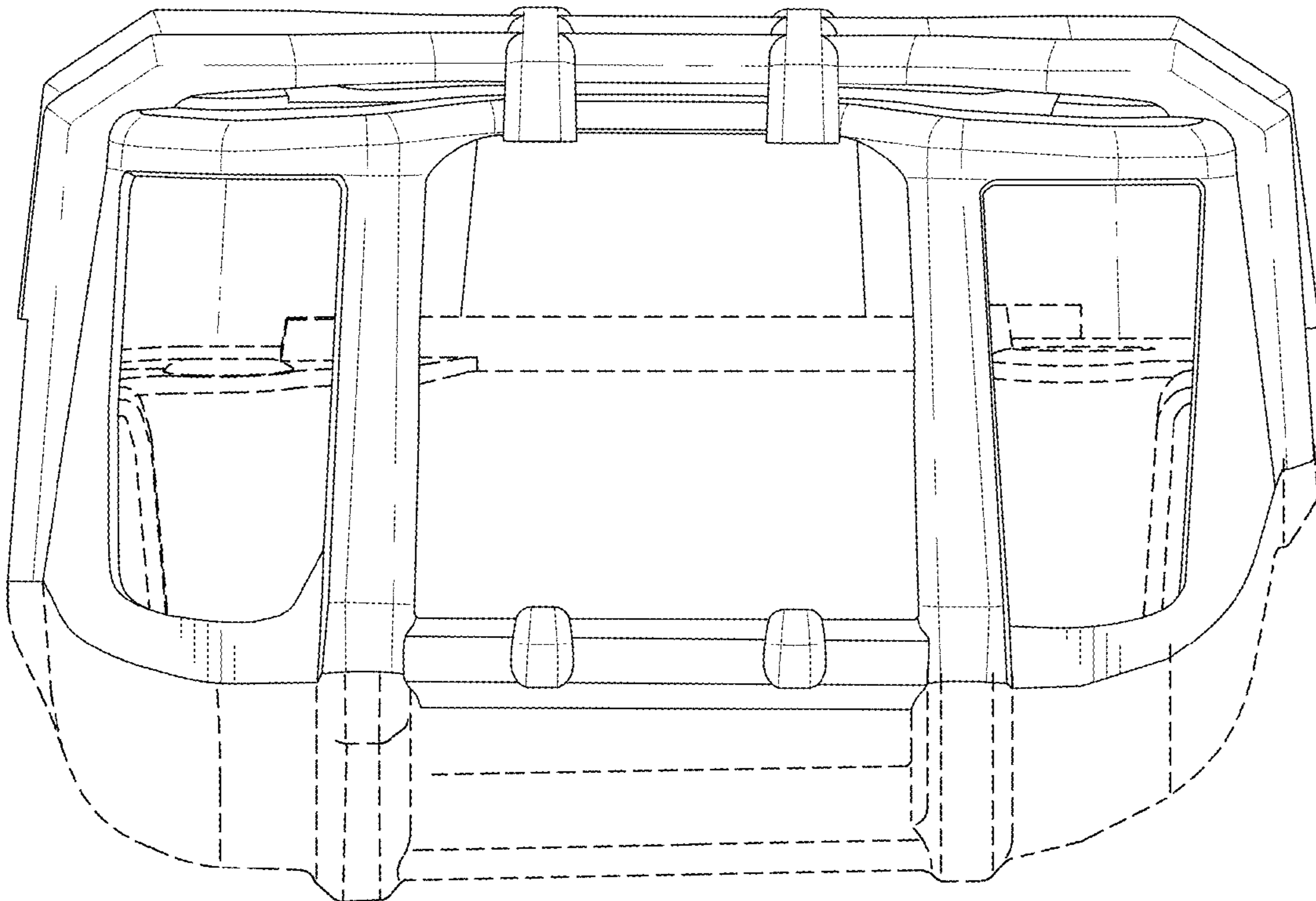


Fig-13

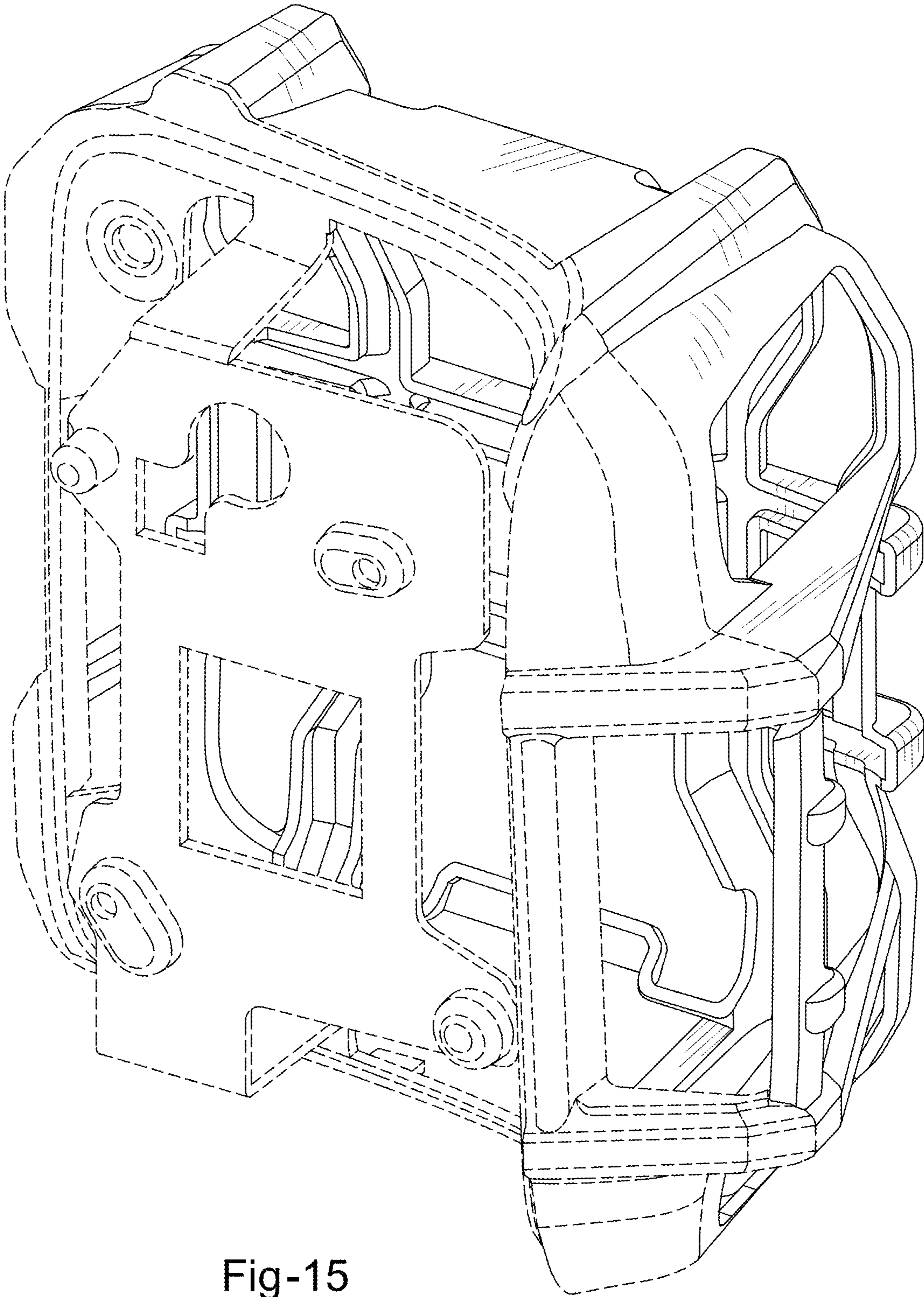


Fig-15

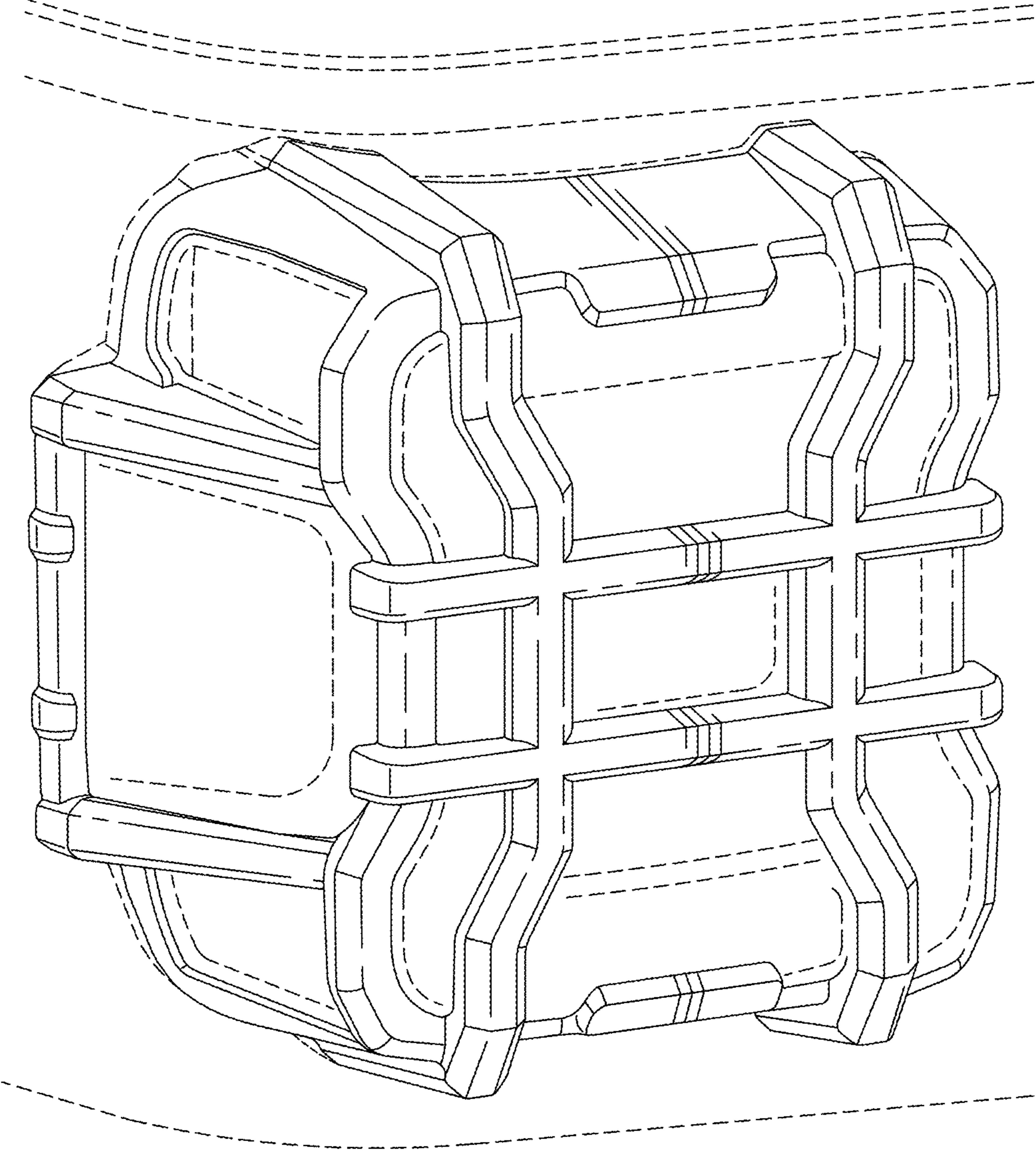


Fig-16