



US00D892008S

(12) **United States Design Patent** (10) **Patent No.:** **US D892,008 S**  
**Flynn** (45) **Date of Patent:** **\*\* Aug. 4, 2020**

- (54) **REAR SPOILER FOR A VEHICLE**
- (71) Applicant: **KARMA AUTOMOTIVE LLC**,  
Irvine, CA (US)
- (72) Inventor: **Jacques Flynn**, Long Beach, CA (US)
- (73) Assignee: **KARMA AUTOMOTIVE LLC**,  
Irvine, CA (US)
- (\*\*) Term: **15 Years**
- (21) Appl. No.: **29/680,975**
- (22) Filed: **Feb. 21, 2019**
- (51) **LOC (12) Cl.** ..... **12-08**
- (52) **U.S. Cl.**  
USPC ..... **D12/181**
- (58) **Field of Classification Search**  
USPC ..... D12/181, 182, 183, 400, 184, 191, 190  
CPC ..... B32B 3/00; B60S 9/205  
See application file for complete search history.

- D864,064 S \* 10/2019 Smith ..... B62D 35/007  
D12/181
- D867,240 S \* 11/2019 Baum ..... D12/181
- D867,243 S \* 11/2019 Schmolz ..... B62D 35/007  
D12/181
- D869,362 S \* 12/2019 Donfrancesco ..... D12/181
- \* cited by examiner

*Primary Examiner* — Katrina A Betton  
 (74) *Attorney, Agent, or Firm* — Gordon Rees Scully  
 Mansukhani, LLP

(57) **CLAIM**  
 The ornamental design for a rear spoiler for a vehicle, as shown and described.

**DESCRIPTION**

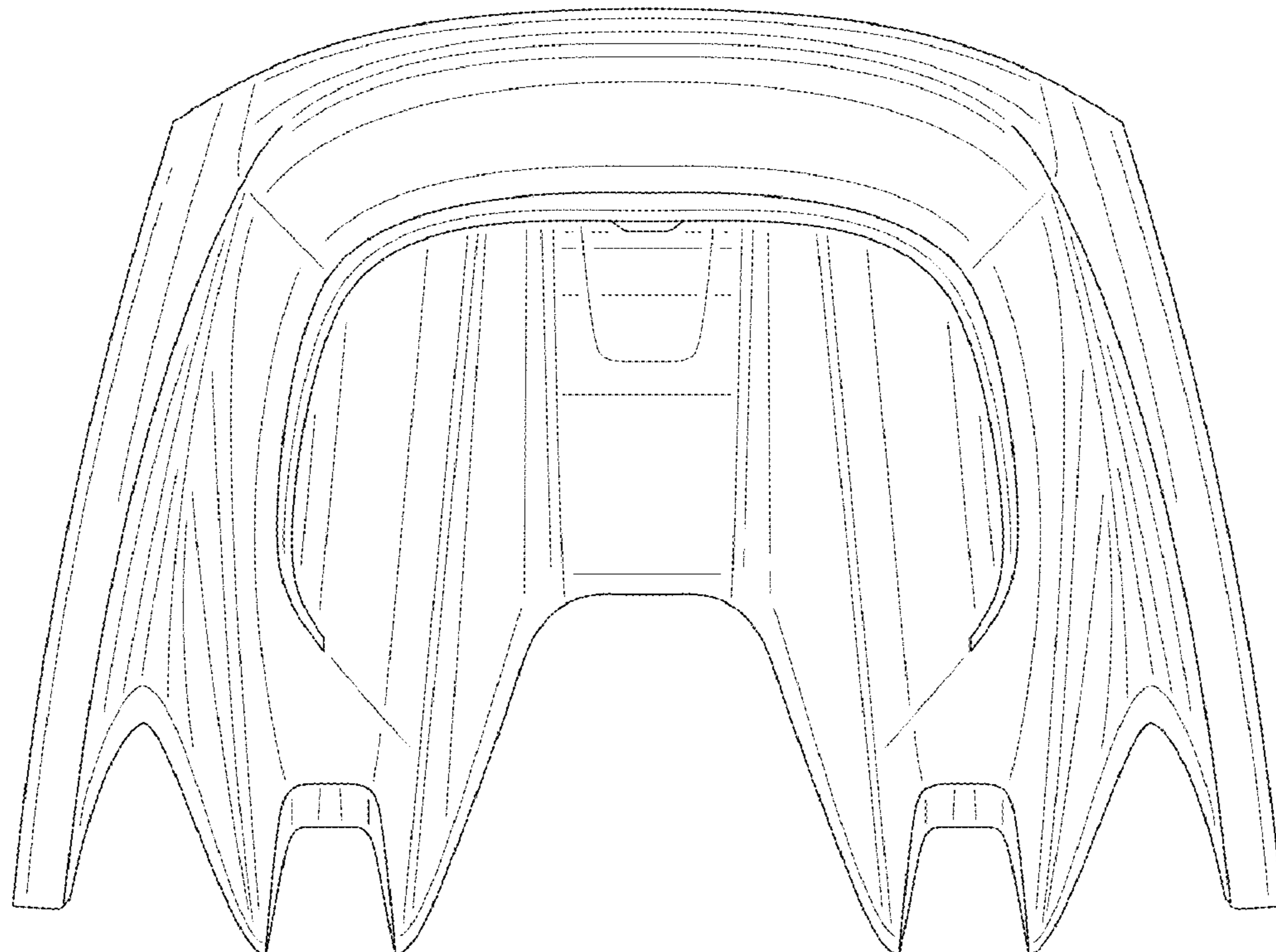
FIG. 1 is a front and left side perspective view of a rear spoiler for a vehicle.  
 FIG. 2 is a rear view of the spoiler of FIG. 1.  
 FIG. 3 is a left side view of the spoiler of FIG. 1; and the right side view (not shown) is a mirror image of the left side view.  
 FIG. 4 is a top view of the spoiler of FIG. 1.  
 FIG. 5 is a rear and left side perspective view of the spoiler of FIG. 1 showing the spoiler integrated with the vehicle; and,  
 FIG. 6 is a top and front perspective view of the spoiler of FIG. 1 showing an air flow opening through a rear portion of the spoiler.  
 The dashed lines showing the various parts of a wheel are for illustrative purposes only and form no part of the claimed design.

(56) **References Cited**

U.S. PATENT DOCUMENTS

- D656,439 S \* 3/2012 Saracoglu ..... D12/181
- D763,751 S \* 8/2016 Varga ..... D12/181
- 9,944,335 B2 \* 4/2018 Shinedling ..... B62D 35/007
- D817,828 S \* 5/2018 Scheinhutte ..... D12/181
- D822,929 S \* 7/2018 Kim ..... D32/55
- D828,251 S \* 9/2018 Varga ..... D12/181
- D846,463 S \* 4/2019 Wheel ..... D12/181
- D854,986 S \* 7/2019 Beckles ..... D12/181
- D859,247 S \* 9/2019 DiCanzio ..... D12/181

**1 Claim, 6 Drawing Sheets**



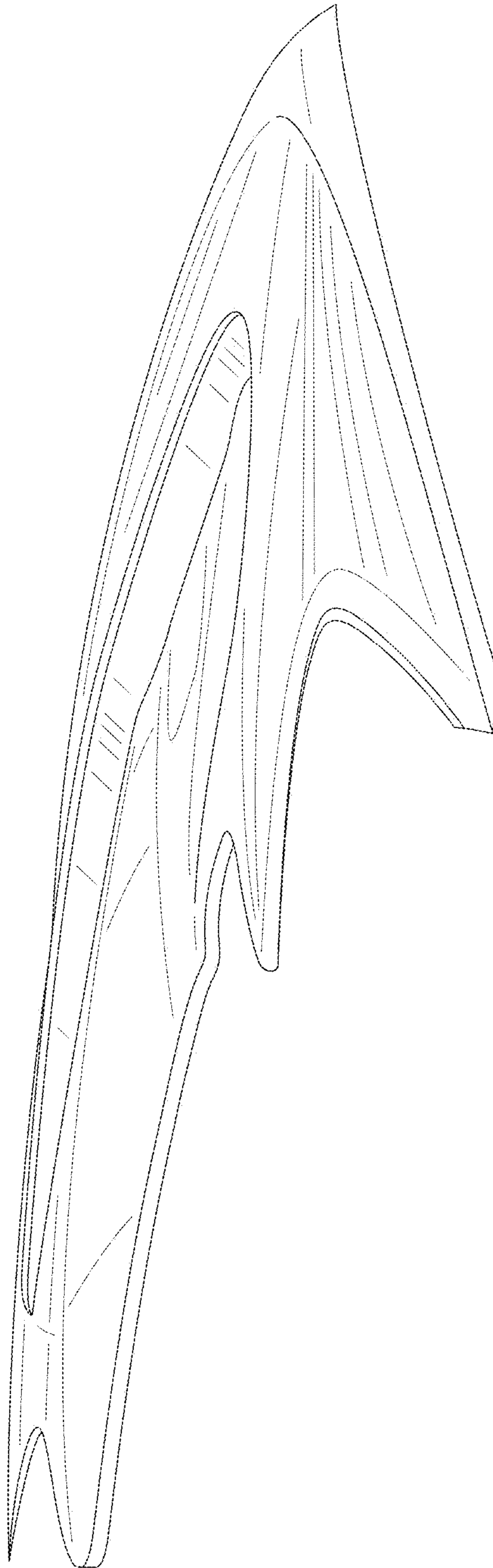


FIG. 1

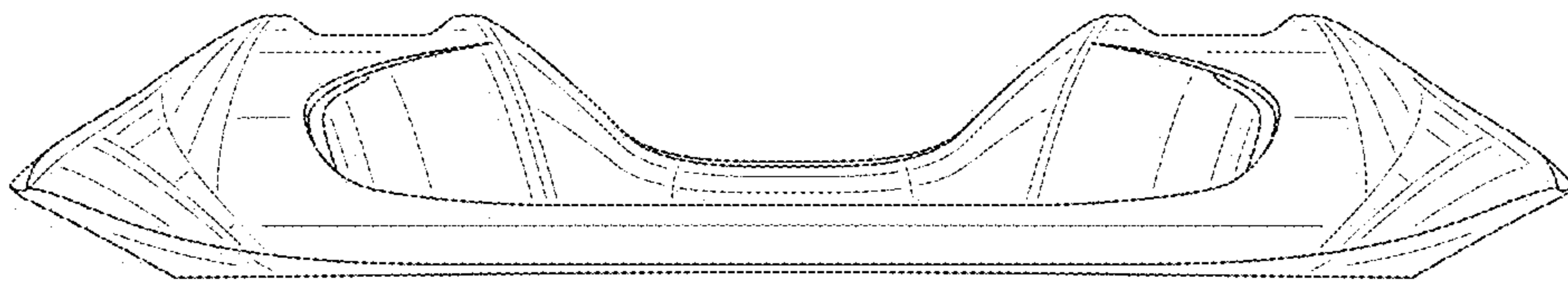


FIG. 2

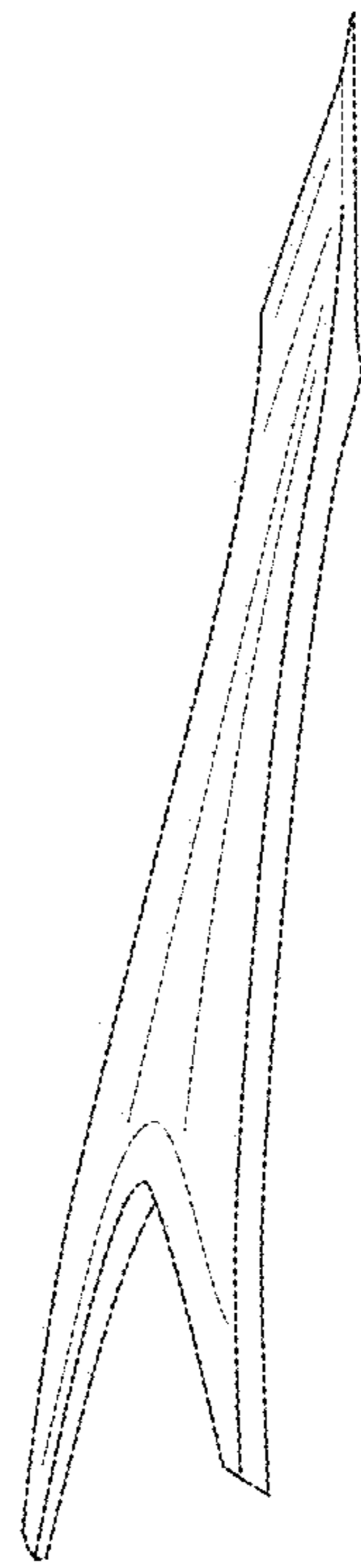


FIG. 3

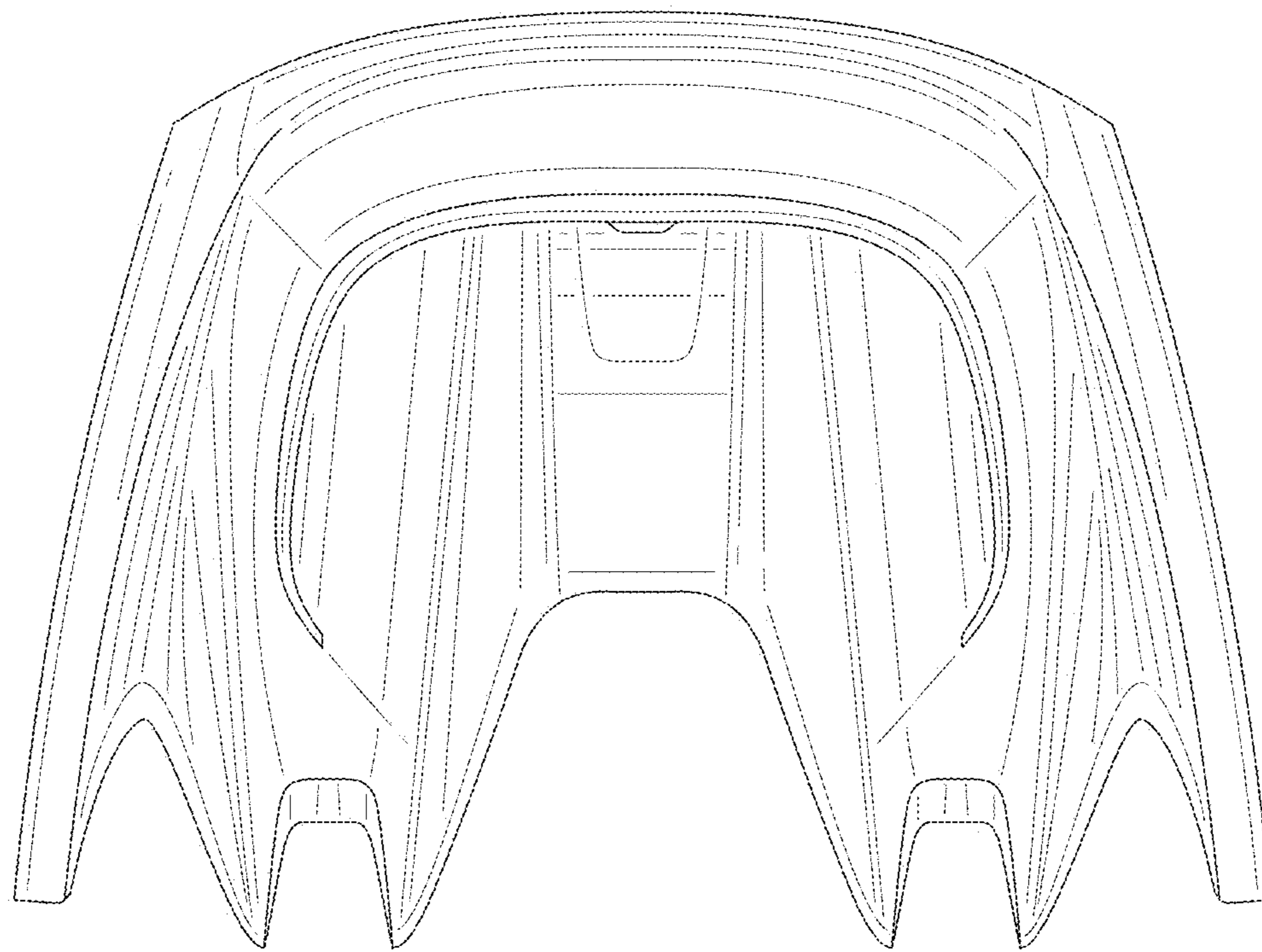


FIG. 4



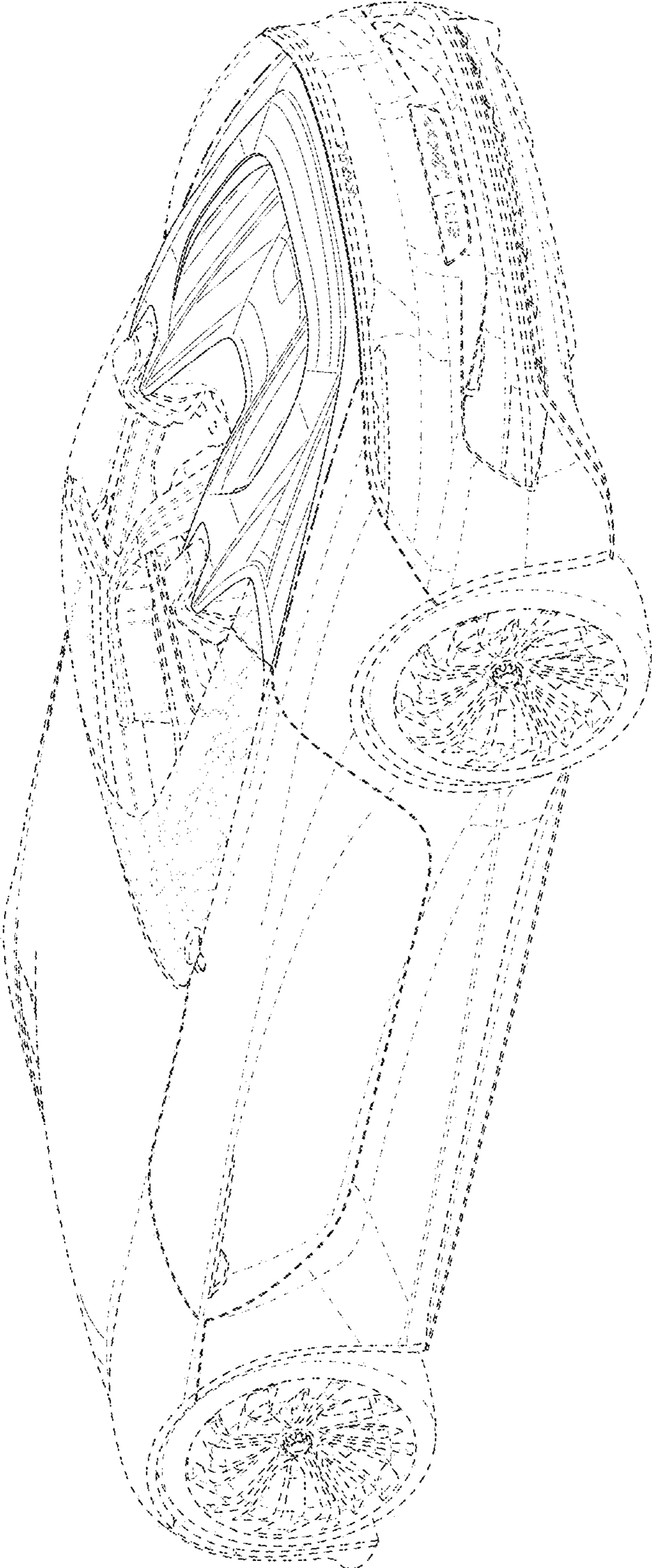


FIG. 5

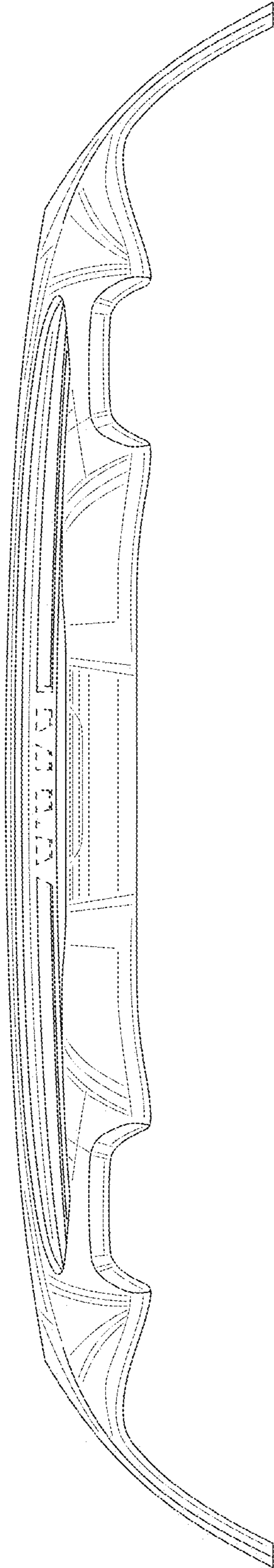


FIG. 6