



US00D892007S

(12) **United States Design Patent**  
**Scotti et al.**

(10) **Patent No.:** **US D892,007 S**

(45) **Date of Patent:** **\*\* Aug. 4, 2020**

(54) **DISC BRAKE CALLIPER**

(71) Applicant: **FRENI BREMBO S.p.A.**, Curno (Bergamo) (IT)

(72) Inventors: **Fabio Scotti**, Curno (IT); **Andrea Teruzzi**, Curno (IT); **Cristian Crippa**, Curno (IT)

(73) Assignee: **FRENI BREMBO S.p.A.**, Curno, Bergamo (IT)

(\*\*) Term: **15 Years**

(21) Appl. No.: **29/589,405**

(22) Filed: **Dec. 30, 2016**

(30) **Foreign Application Priority Data**

Jun. 30, 2016 (IT) ..... 402016068148

(51) **LOC (12) Cl.** ..... **12-16**

(52) **U.S. Cl.**  
USPC ..... **D12/180**

(58) **Field of Classification Search**  
USPC ..... D12/160, 180  
CPC .... B60T 13/686; B60T 13/588; B60T 8/4077;  
B60T 13/142; B60T 13/585; B60T  
13/745; F16D 65/0075  
See application file for complete search history.

(56) **References Cited**

**U.S. PATENT DOCUMENTS**

D373,340 S	9/1996	Sands	
D442,900 S	5/2001	Separautzki	
D506,714 S	6/2005	Ono	
D508,000 S	8/2005	Schorn et al.	
D512,352 S	12/2005	Veneziano et al.	
D520,924 S	5/2006	Gotti et al.	
D522,420 S *	6/2006	Crippa	D12/180
D522,421 S	6/2006	Crippa et al.	

D523,794 S	6/2006	Strumbo et al.	
D555,555 S	11/2007	Ikuzawa et al.	
D556,103 S	11/2007	Morimoto	
D588,513 S	3/2009	Crippa et al.	
D600,613 S	9/2009	Jungmann et al.	
D607,793 S *	1/2010	Maroni	D12/180
D610,059 S *	2/2010	Azimonti	D12/180
D610,507 S *	2/2010	Azimonti	D12/180
D619,063 S	7/2010	Veneziano et al.	
D623,102 S	9/2010	Gherardi et al.	
D642,100 S *	7/2011	Crippa	D12/180
D692,356 S	10/2013	Owen et al.	
D700,551 S	3/2014	Davenport, III	
D739,319 S	9/2015	Montgomery	
D785,520 S	5/2017	Bonetti	

(Continued)

*Primary Examiner* — Robert M. Spear

(74) *Attorney, Agent, or Firm* — Merchant & Gould P.C.

(57) **CLAIM**

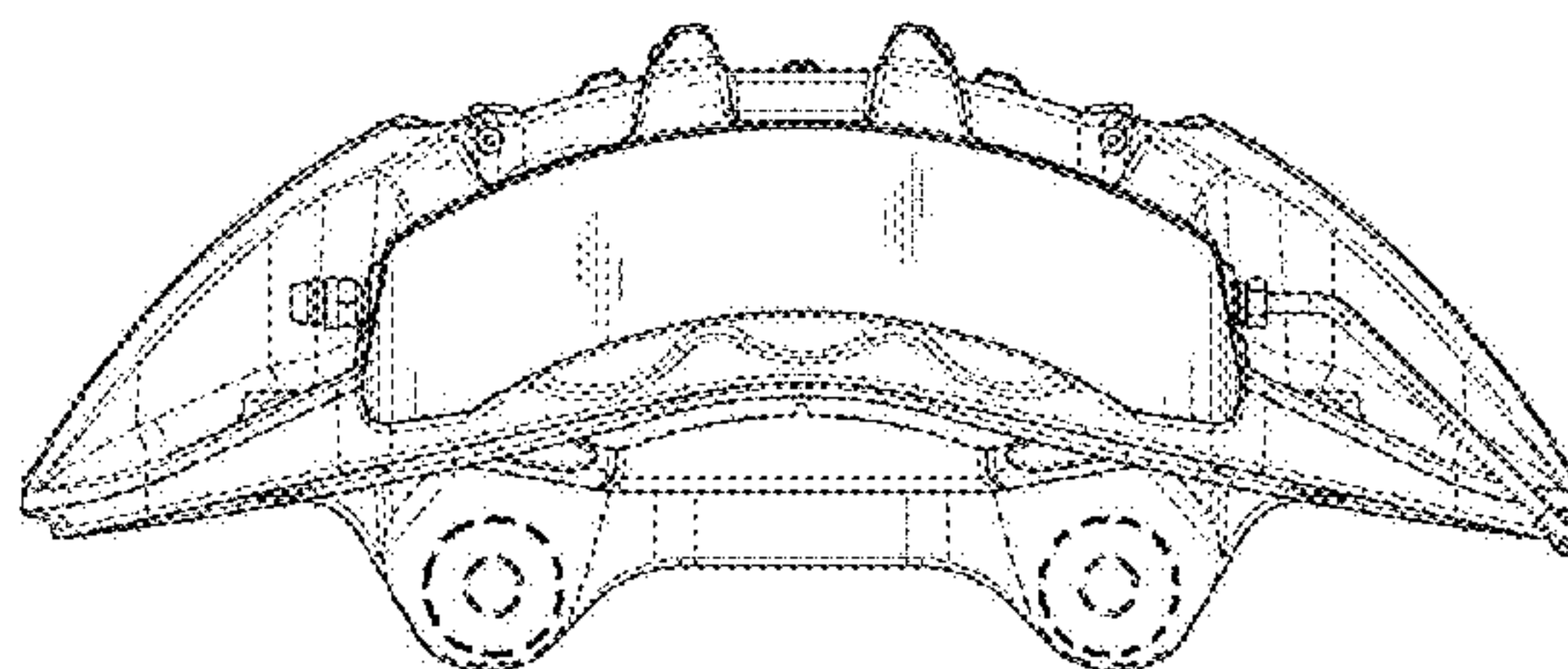
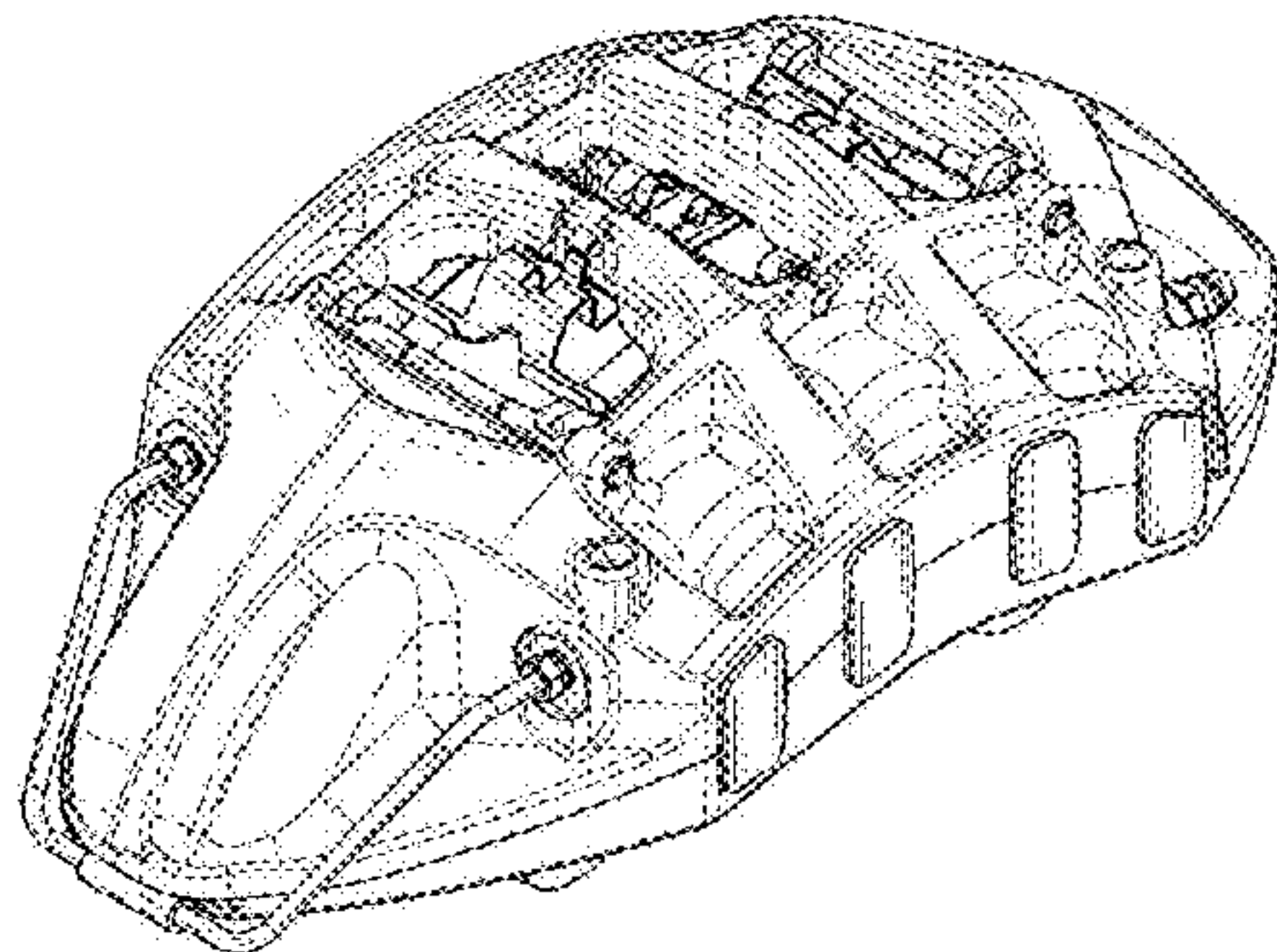
The ornamental design for a disc brake calliper, as shown and described.

**DESCRIPTION**

FIG. 1 is a perspective view of a disc brake calliper showing our new design;  
 FIG. 2 is a perspective view thereof from an end opposite that of FIG. 1;  
 FIG. 3 is another perspective thereof;  
 FIG. 4 is another perspective view thereof from an end opposite that of FIG. 3;  
 FIG. 5 is a side view thereof;  
 FIG. 6 is a side view thereof, from a side opposite that of FIG. 5;  
 FIG. 7 is an end view thereof;  
 FIG. 8 is an end view thereof from an end opposite that of FIG. 7; and,  
 FIG. 9 is a top view thereof.

The broken lines illustrate portions of the disc brake calliper that form no part of the claimed design.

**1 Claim, 9 Drawing Sheets**



(56)

**References Cited**

U.S. PATENT DOCUMENTS

9,657,789	B2	5/2017	Castellana et al.	
D790,417	S	6/2017	Bertone et al.	
D804,375	S	12/2017	Crippa et al.	
D813,125	S	3/2018	Crippa et al.	
D816,002	S	4/2018	Crippa et al.	
9,970,495	B2 *	5/2018	Crippa .....	F16D 65/0977
2009/0236187	A1	9/2009	Bach et al.	
2013/0092481	A1 *	4/2013	Crippa .....	F16D 55/228 188/73.31
2015/0021124	A1	1/2015	Preda et al.	
2015/0027821	A1	1/2015	Nessi et al.	
2016/0003315	A1	1/2016	Crippa et al.	
2016/0053835	A1	2/2016	Castellana et al.	

\* cited by examiner

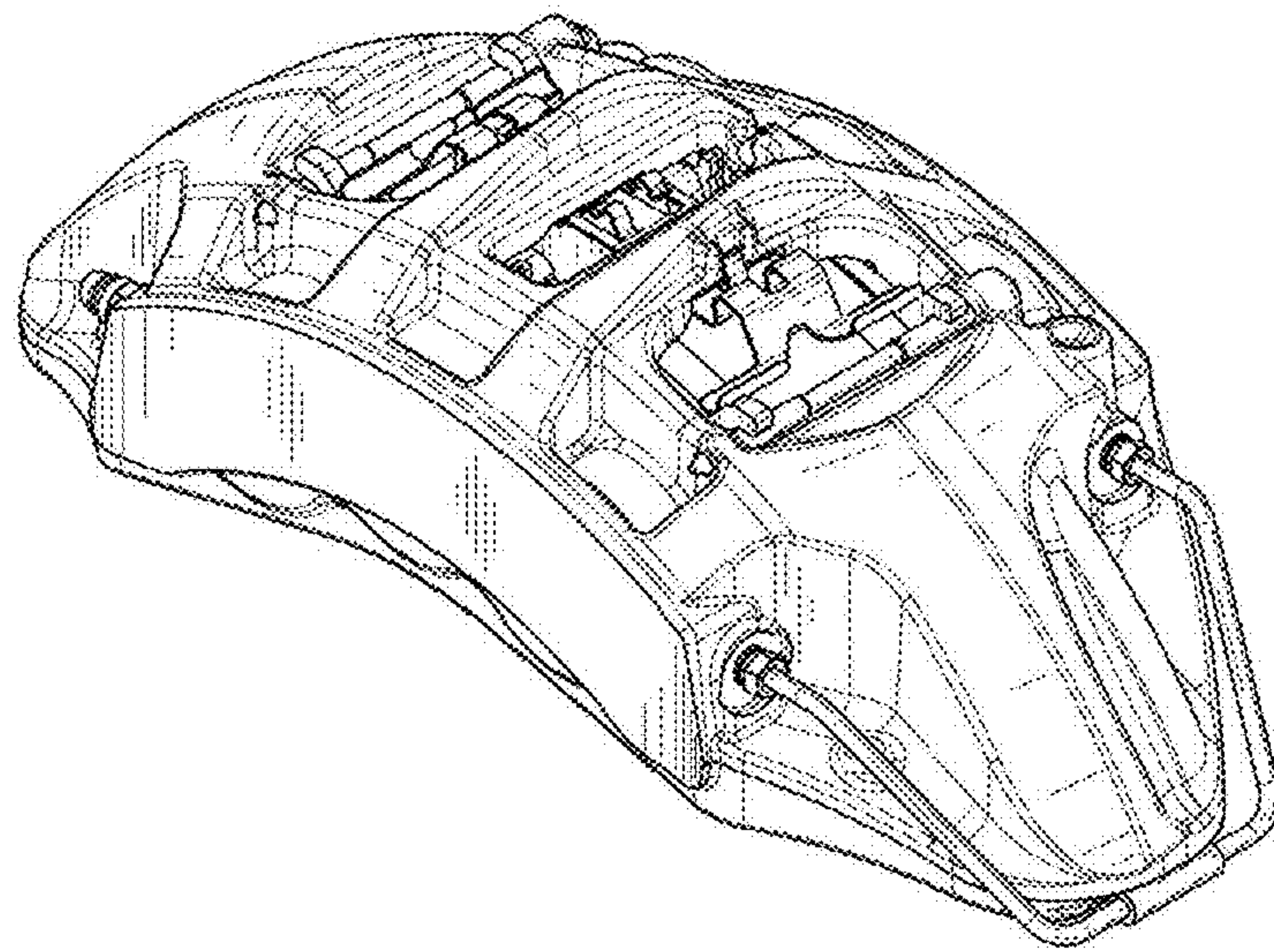


FIG.1



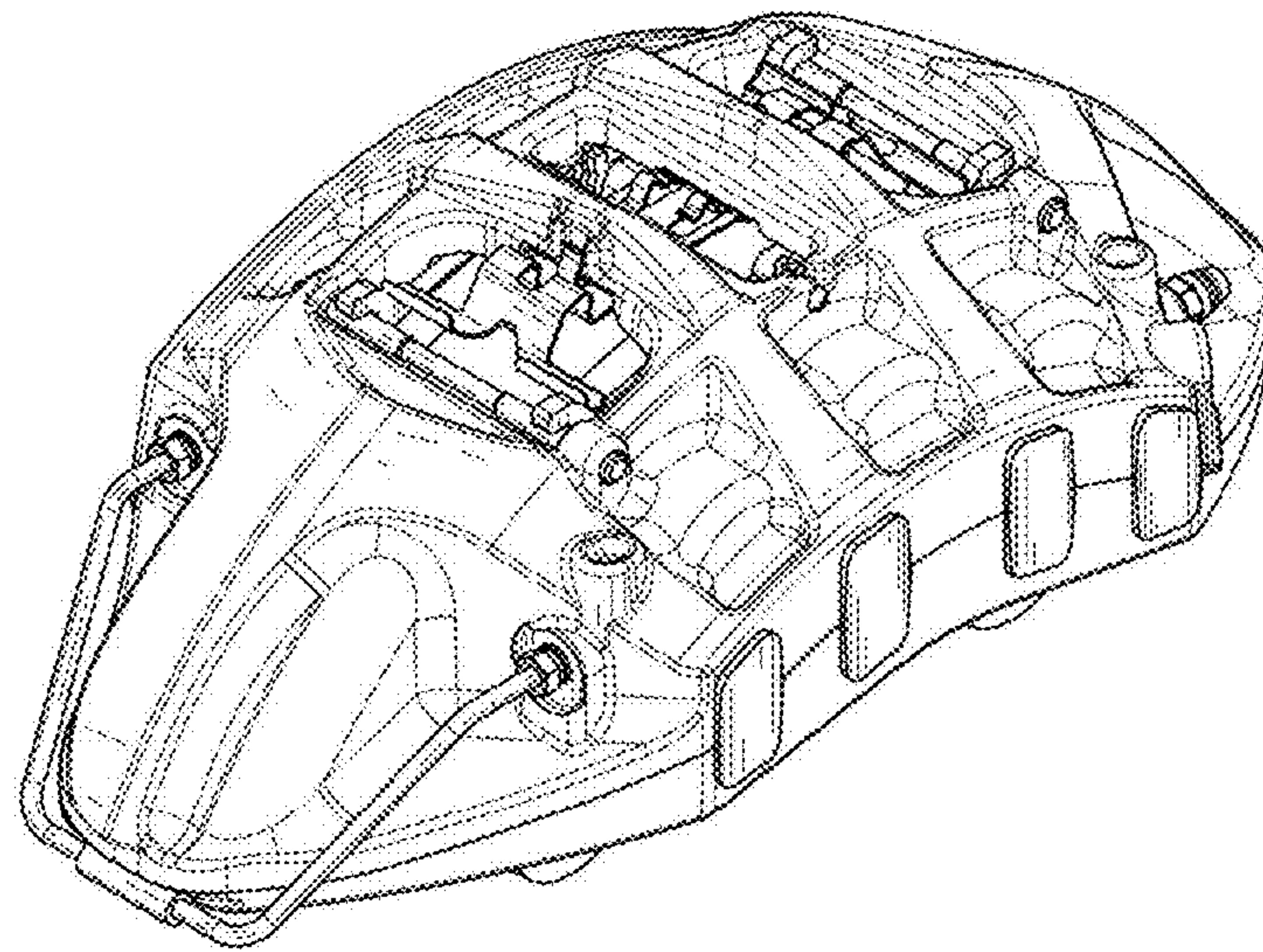


FIG.2

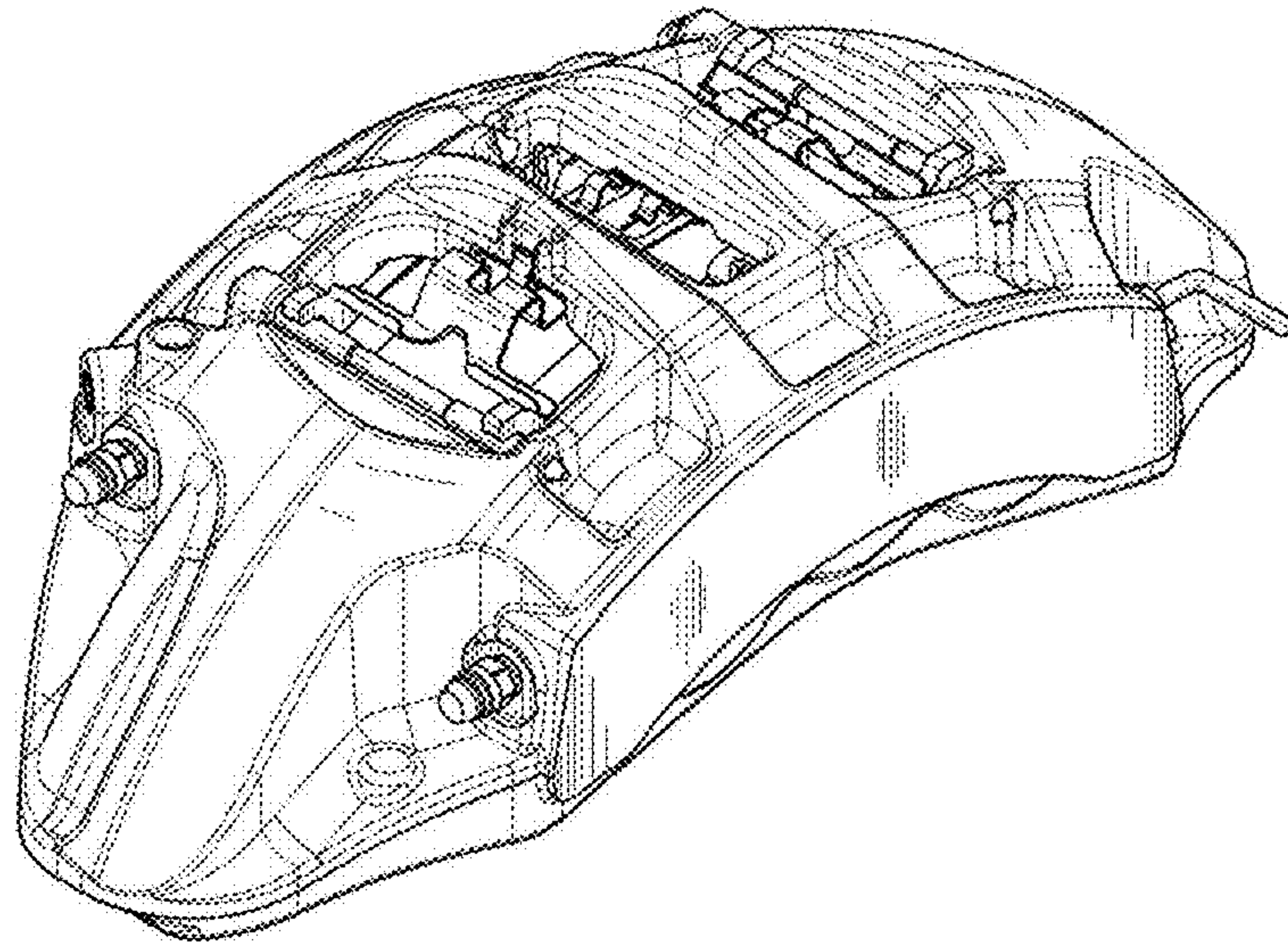


FIG.3

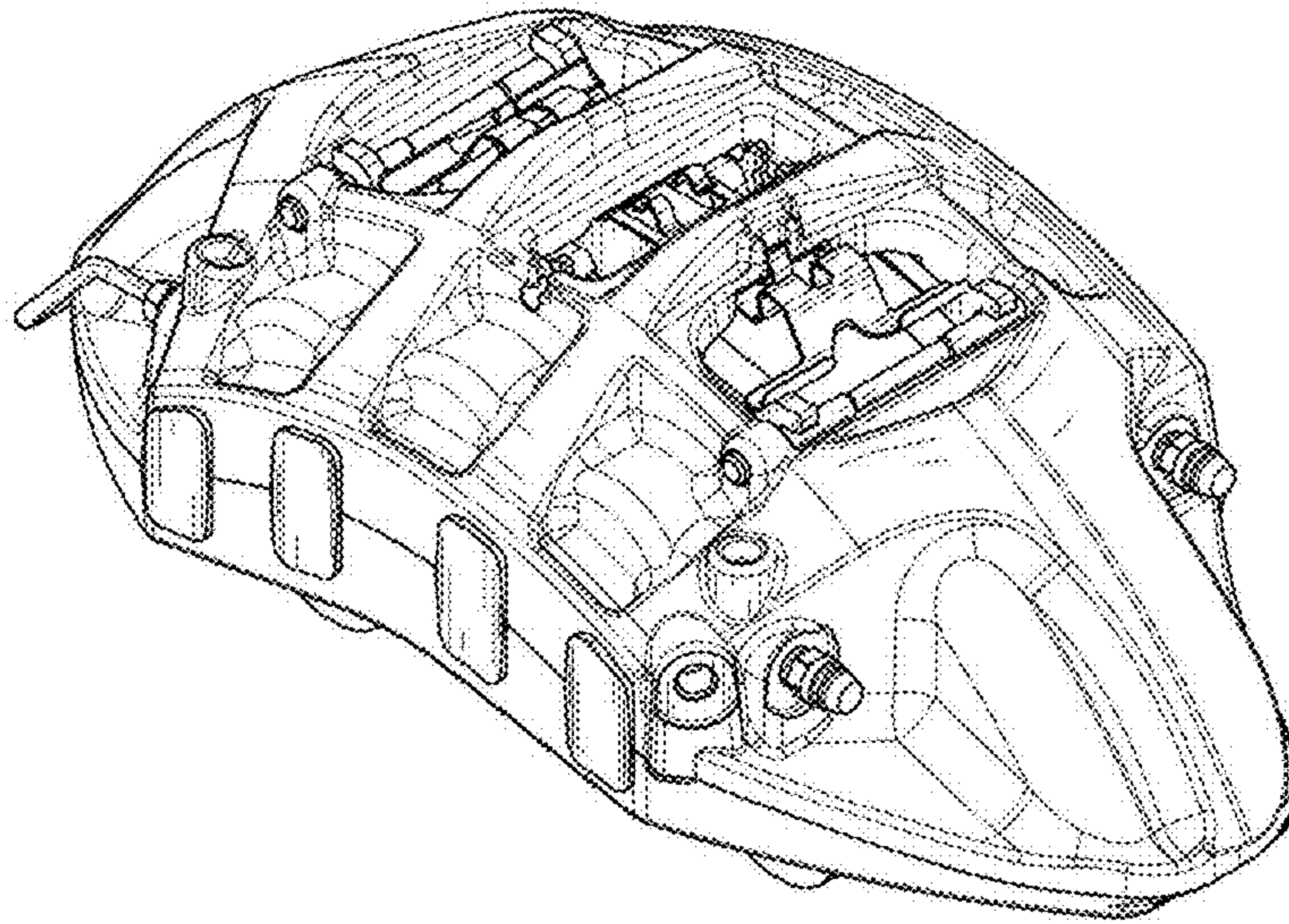


FIG.4

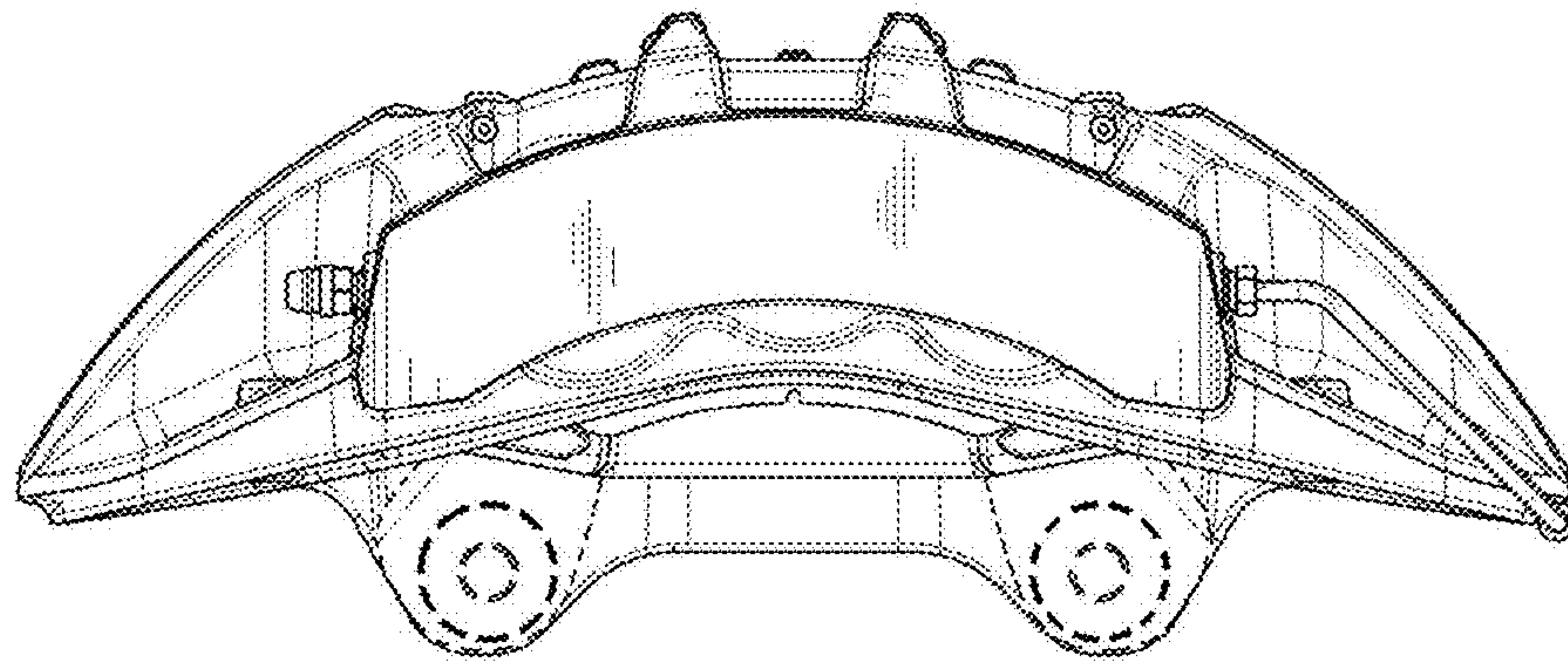


FIG.5



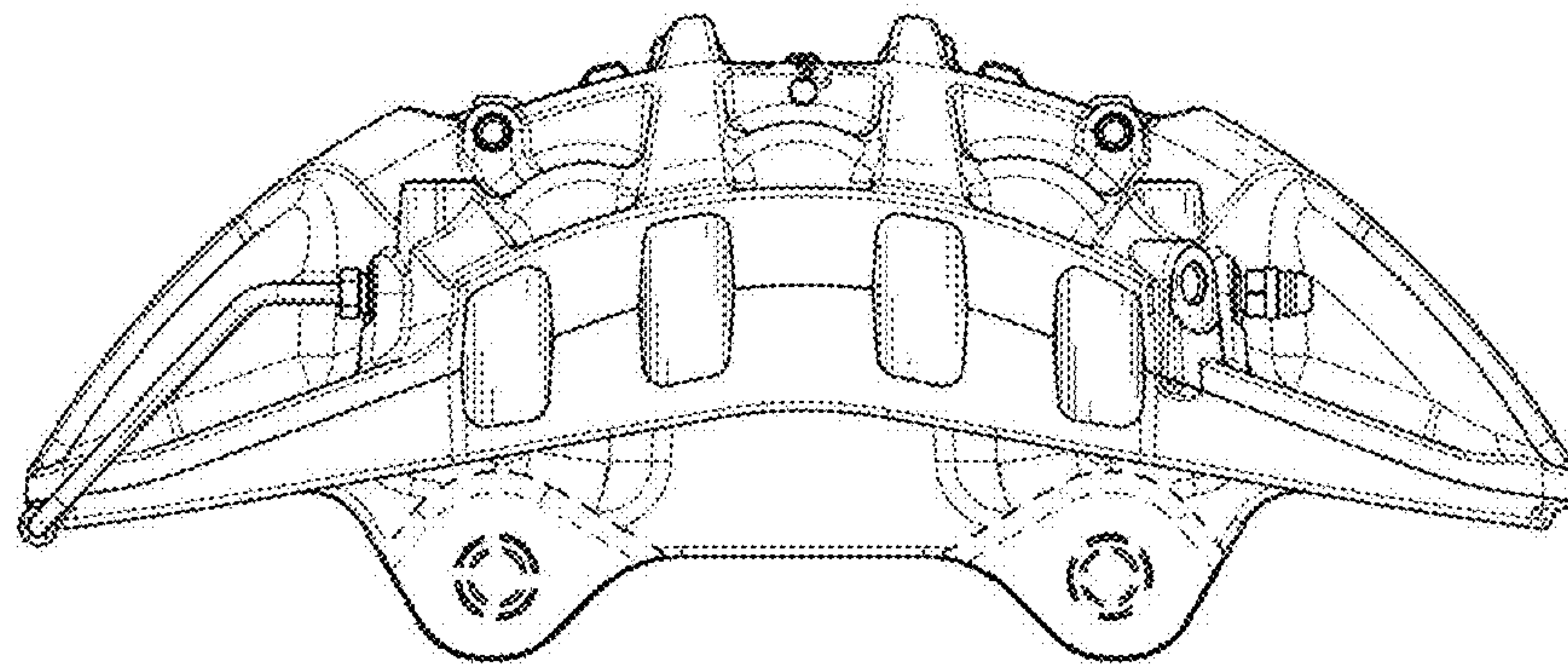


FIG.6



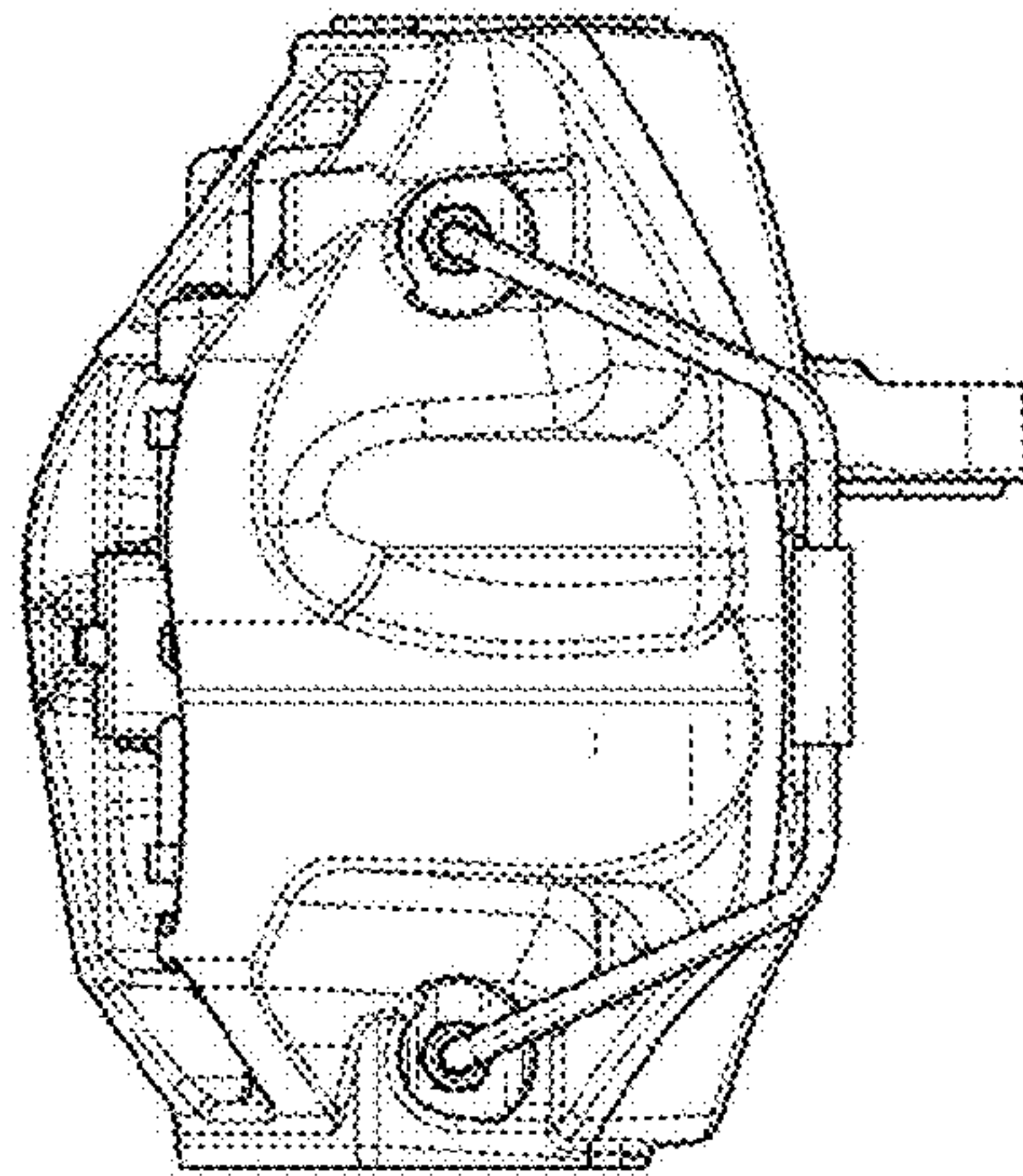


FIG.7

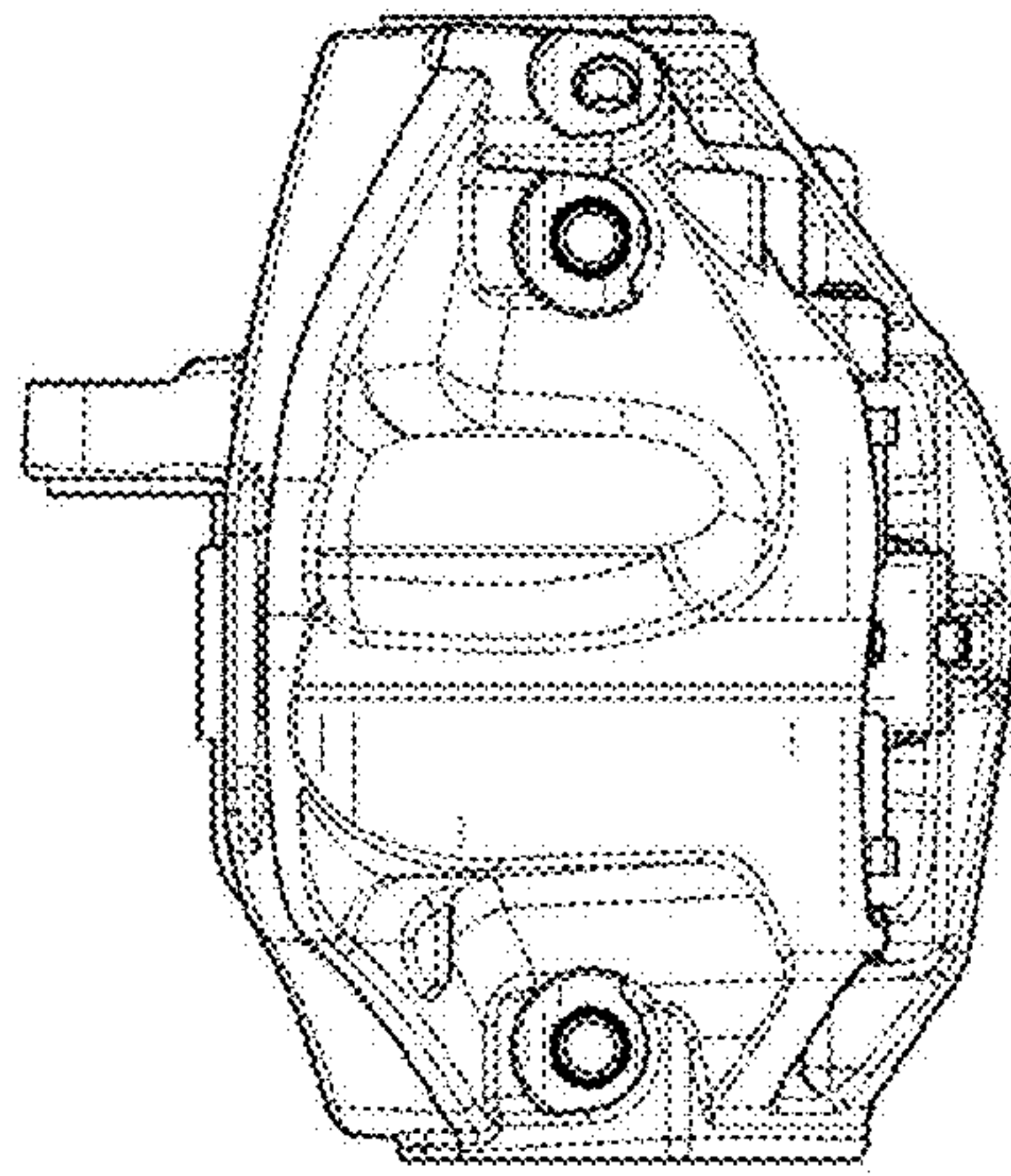


FIG.8

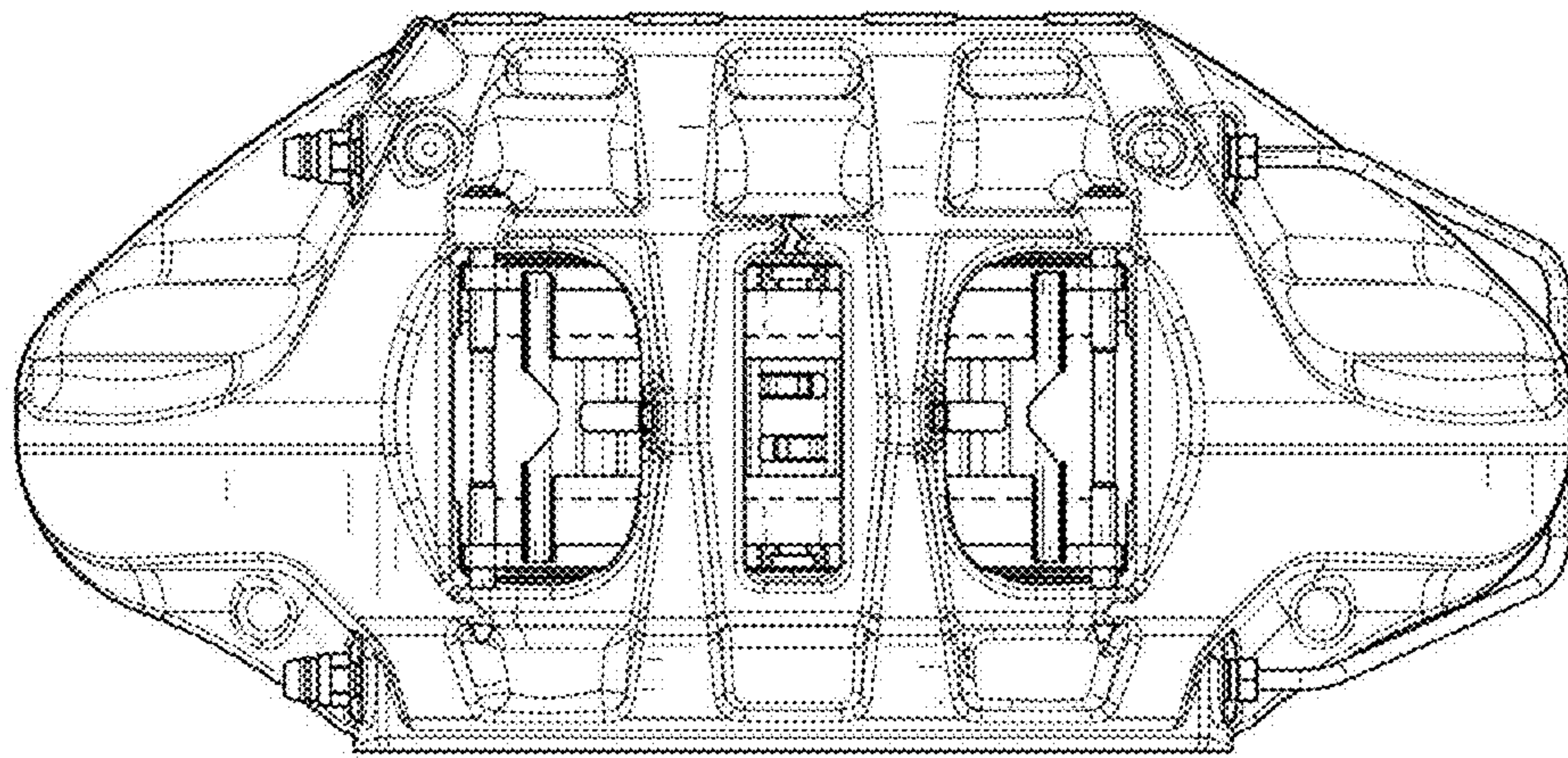


FIG.9