



US00D892005S

(12) **United States Design Patent**  
**Marshall et al.**

(10) **Patent No.:** **US D892,005 S**

(45) **Date of Patent:** **\*\* Aug. 4, 2020**

(54) **VEHICLE REAR BUMPER**

(71) Applicants: **Chad Marshall**, Lakeland, FL (US);  
**Everson Fortes Silva**, Tampa, FL (US)

(72) Inventors: **Chad Marshall**, Lakeland, FL (US);  
**Everson Fortes Silva**, Tampa, FL (US)

(73) Assignee: **Chad Marshall**, Mulberry, FL (US)

(\*\*) Term: **15 Years**

(21) Appl. No.: **29/670,458**

(22) Filed: **Nov. 15, 2018**

(51) **LOC (12) Cl.** ..... **12-16**

(52) **U.S. Cl.**  
USPC ..... **D12/169**

(58) **Field of Classification Search**  
USPC .... D12/169, 164, 196, 171, 163, 86, 90-92;  
293/102, 113, 115, 117, 120; 296/180.1,  
296/180.2  
CPC ..... B60R 19/02; B60R 19/04; B62D 25/08  
See application file for complete search history.

(56) **References Cited**

**U.S. PATENT DOCUMENTS**

D751,012 S \* 3/2016 Hare ..... D12/169  
D771,537 S \* 11/2016 Hare ..... D12/169

D777,619 S \* 1/2017 Barajas ..... D12/167  
D792,817 S \* 7/2017 McMath ..... D12/169  
D792,818 S \* 7/2017 McMath ..... D12/169  
D793,304 S \* 8/2017 McMath ..... D12/169  
D847,051 S \* 4/2019 DiCanzio ..... D12/171  
D879,685 S \* 3/2020 Bennett ..... D12/171  
D879,686 S \* 3/2020 Marshall ..... D12/171

\* cited by examiner

*Primary Examiner* — Melody N Brown

(74) *Attorney, Agent, or Firm* — Chad Marshall

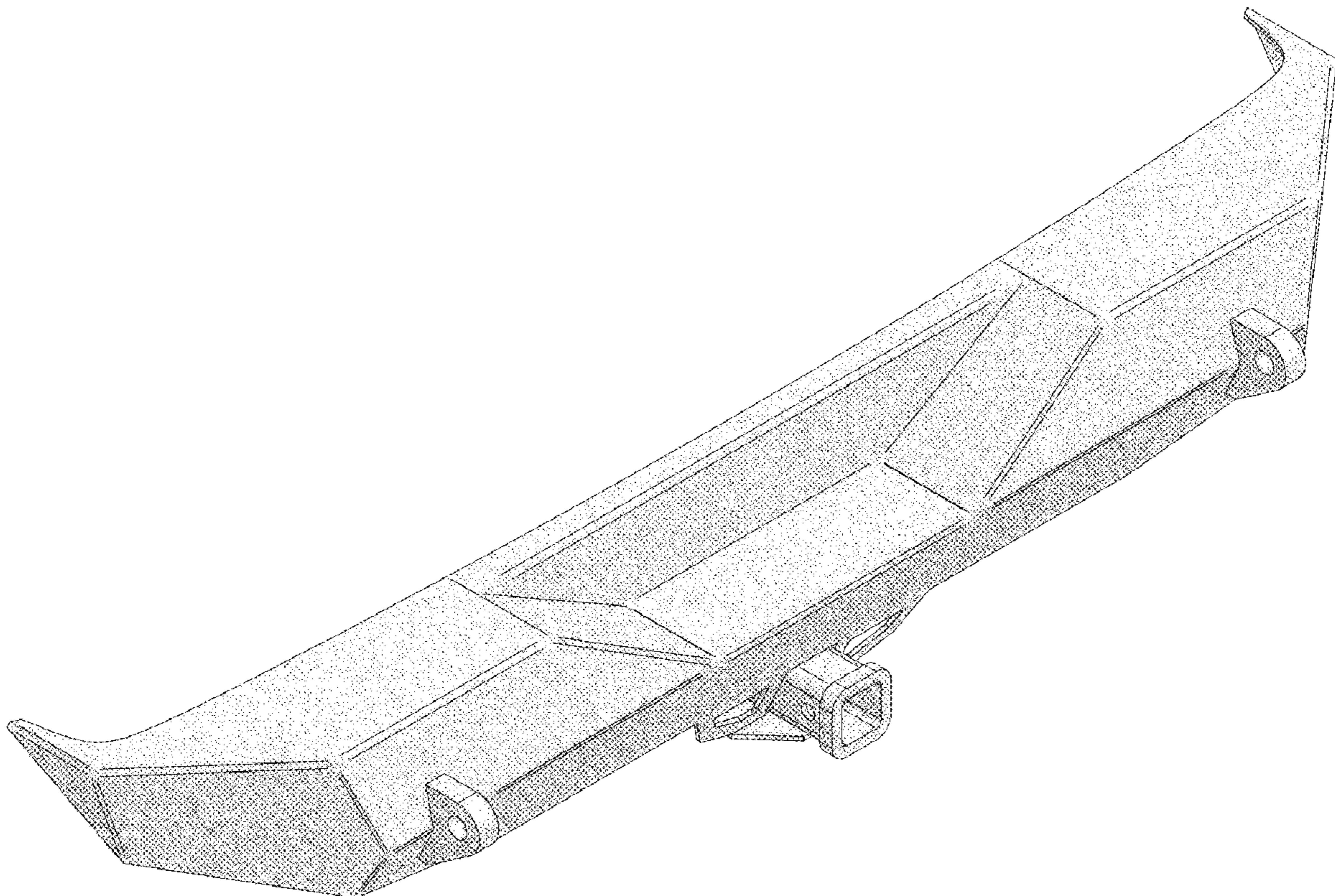
(57) **CLAIM**

The ornamental design for a vehicle rear bumper, as shown and described.

**DESCRIPTION**

FIG. 1 is a top, front perspective view of a vehicle rear bumper showing my new design;  
FIG. 2 is a bottom, front perspective view thereof;  
FIG. 3 is a front elevational view thereof;  
FIG. 4 is a rear elevational view thereof;  
FIG. 5 is a bottom plan view thereof;  
FIG. 6 is a top plan view thereof;  
FIG. 7 is a left side elevational view thereof; and,  
FIG. 8 is a right side elevational view thereof.

**1 Claim, 7 Drawing Sheets**



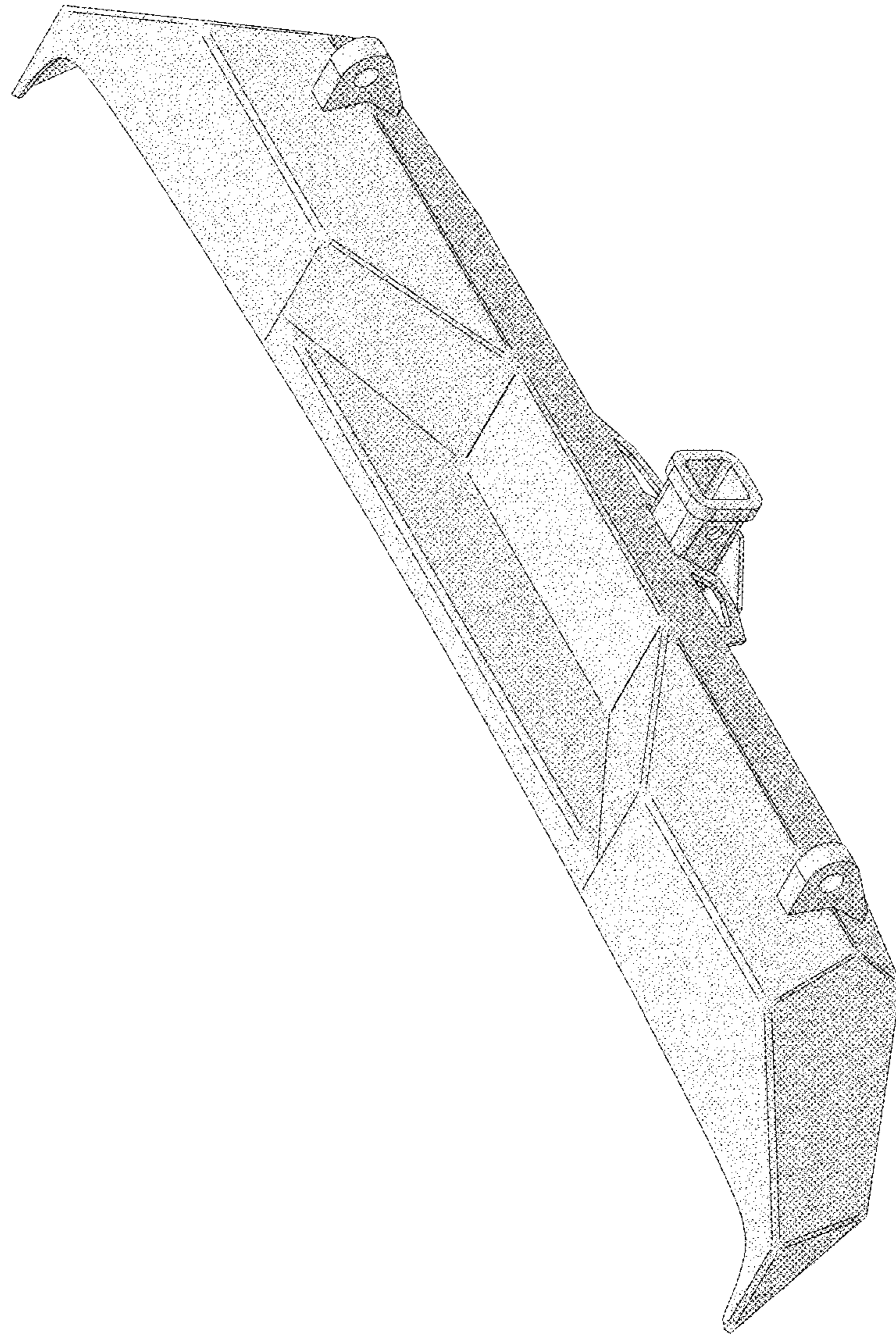


FIG. 1

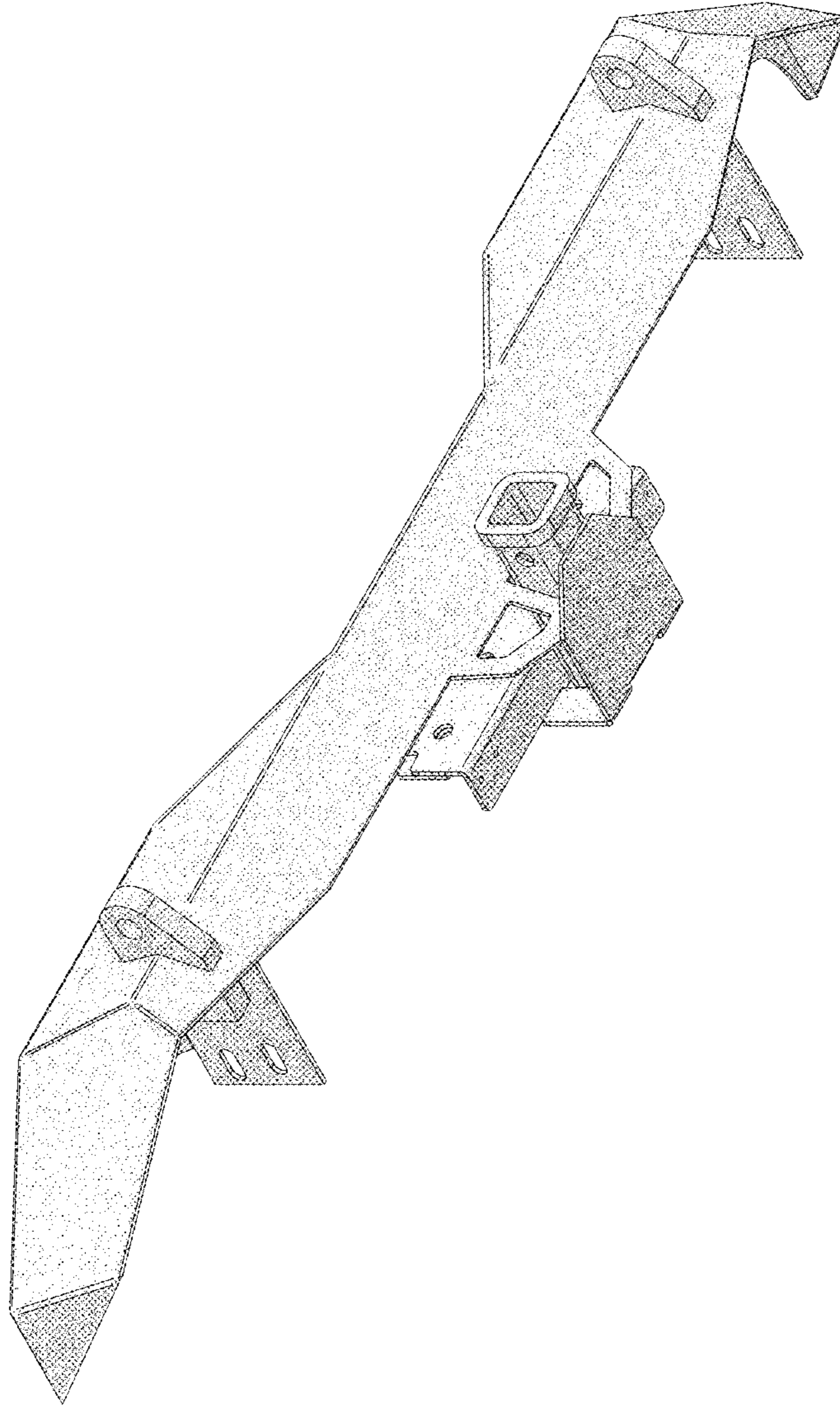


FIG. 2

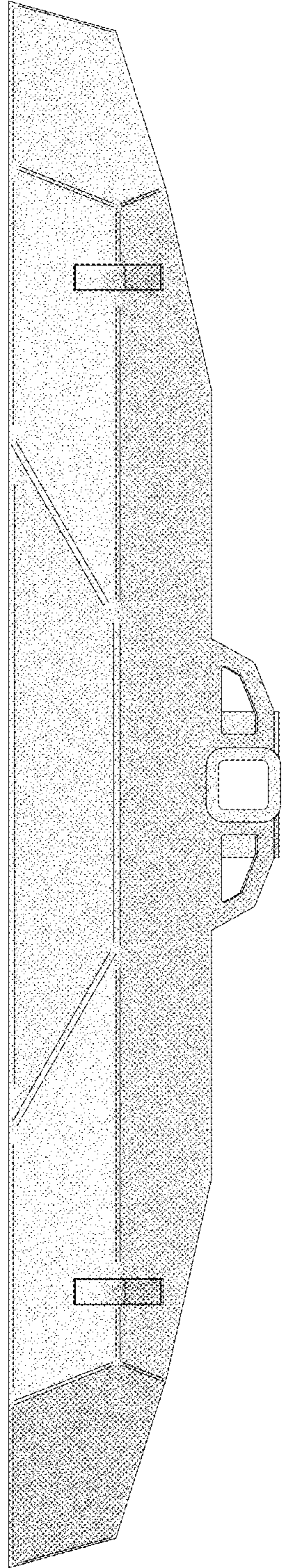


FIG. 3

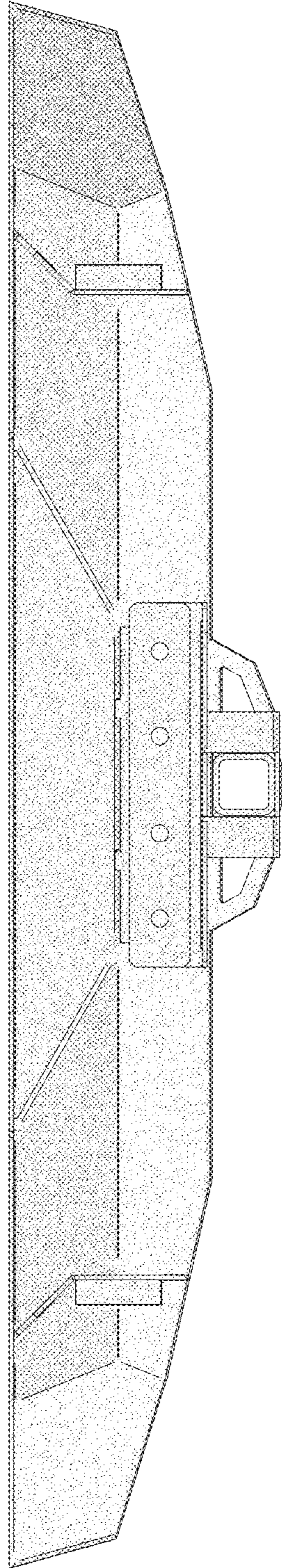


FIG. 4

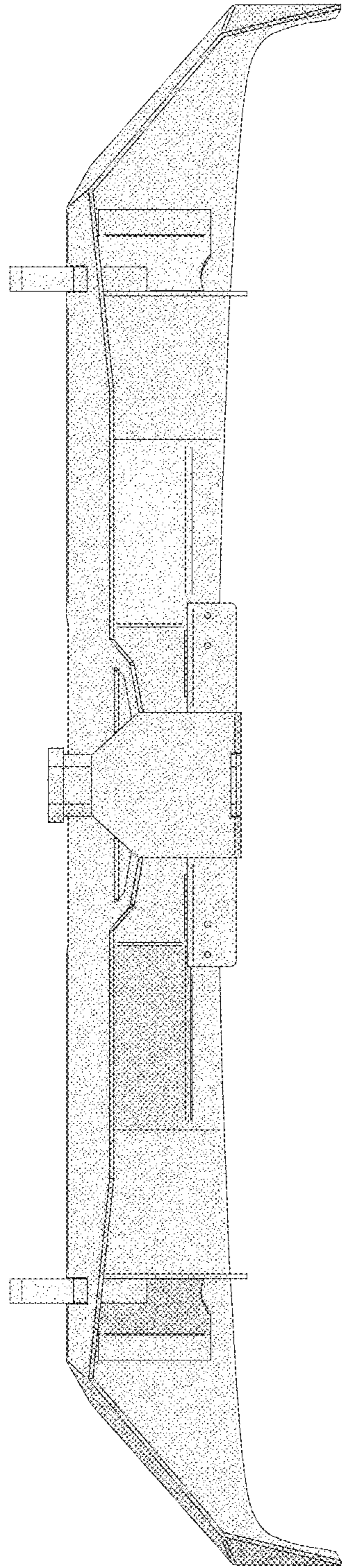


FIG. 5

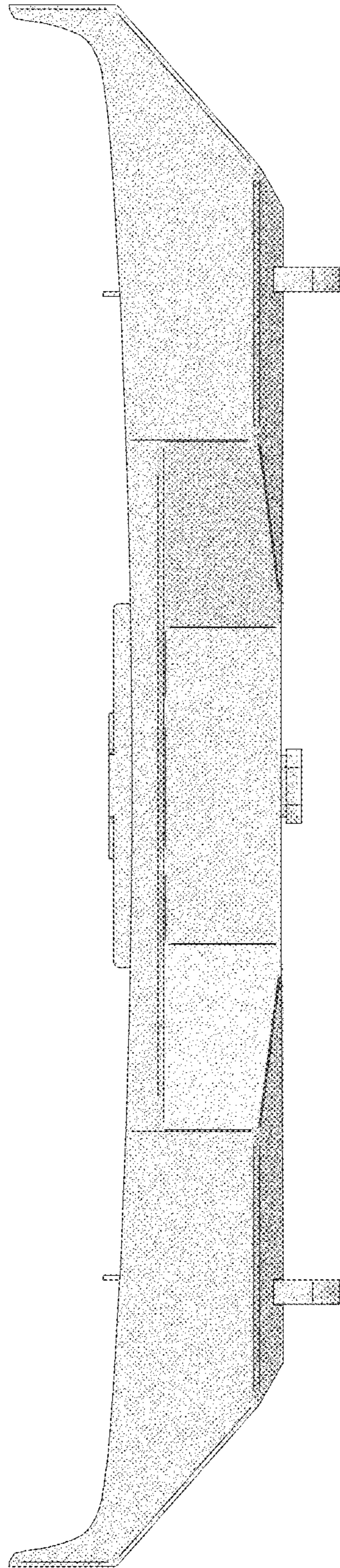


FIG. 6

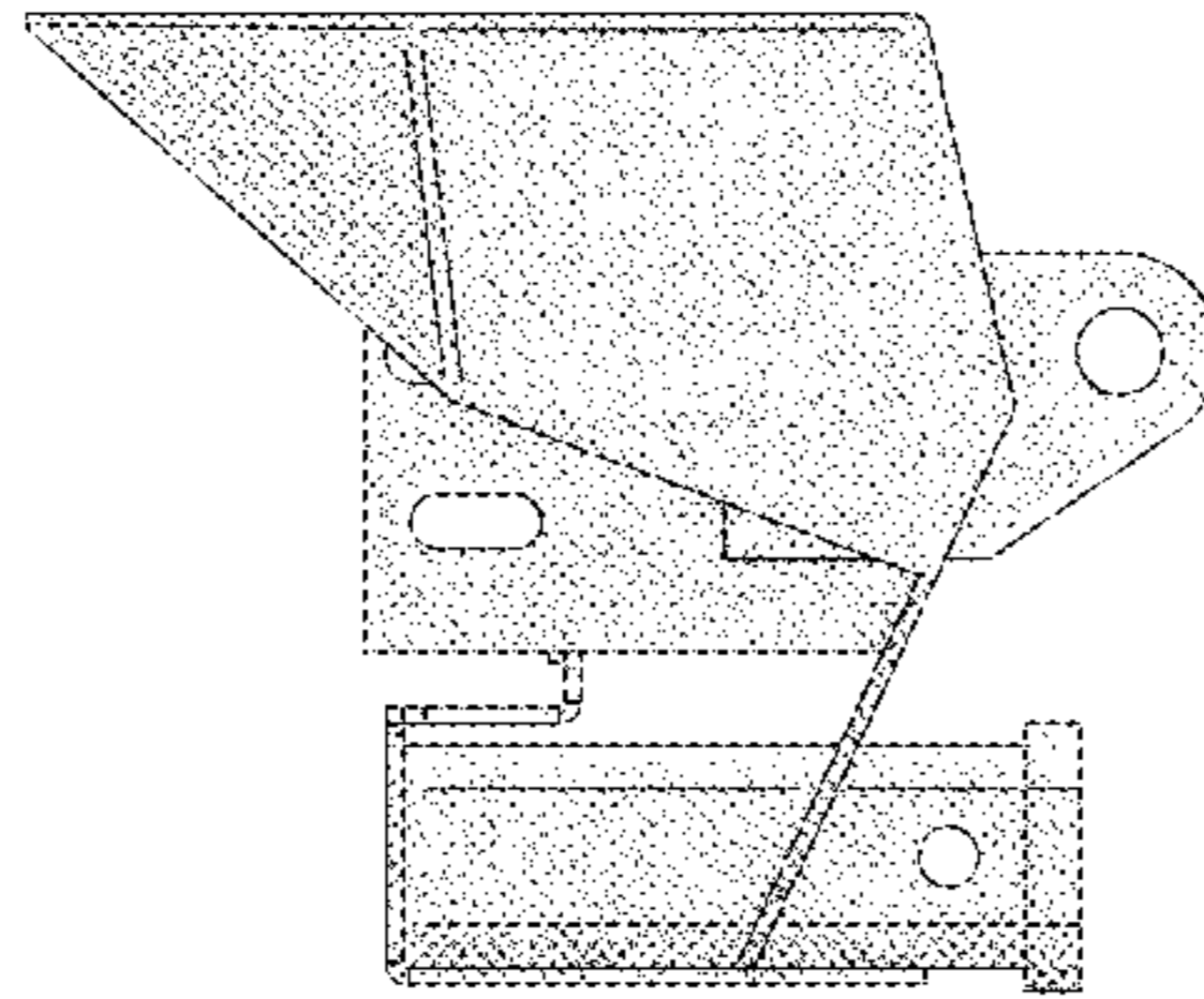


FIG. 7

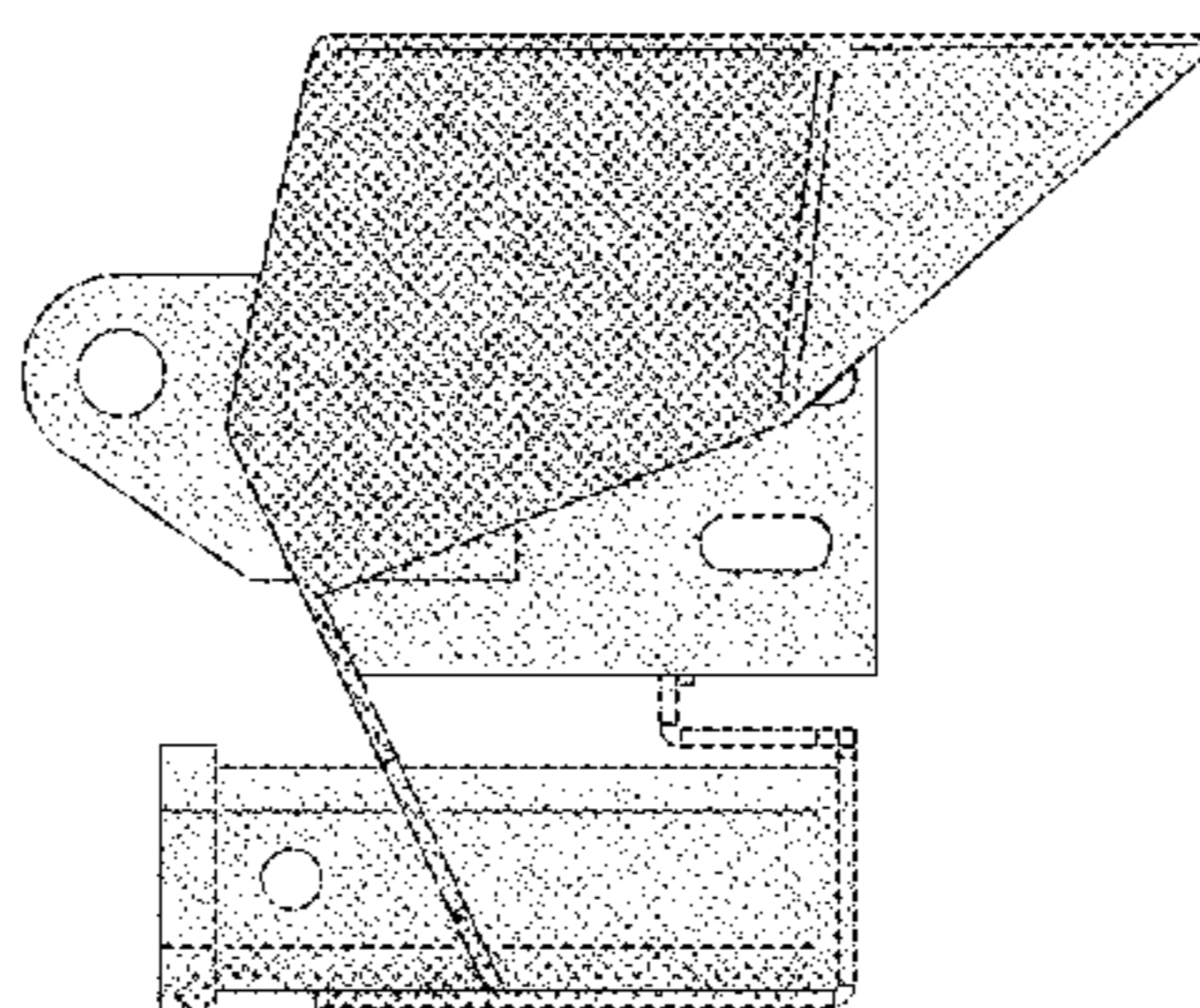


FIG. 8