



US00D892004S

(12) **United States Design Patent** (10) **Patent No.:** **US D892,004 S**
Li (45) **Date of Patent:** **** Aug. 4, 2020**

(54) **VEHICLE REAR BUMPER**
(71) Applicant: **M2 Distribution Ltd.**, Port Coquitlam (CA)
(72) Inventor: **Ming Li**, Coquitlam (CA)
(73) Assignee: **M2 Distribution Ltd.**, Port Coquitlam (CA)

(**) Term: **15 Years**

(21) Appl. No.: **29/665,339**

(22) Filed: **Oct. 2, 2018**

(51) **LOC (12) Cl.** **12-16**

(52) **U.S. Cl.**
USPC **D12/169**

(58) **Field of Classification Search**
USPC D12/169, 196, 86, 90-92, 163, 190, 98,
D12/164; 293/102, 113, 115, 117, 120,
293/193.11; 296/180.1, 180.2; 180/68.1,
180/68.6
CPC B60R 19/52; B60K 11/08; B62D 25/08;
B62B 9/16
See application file for complete search history.

(56) **References Cited**

U.S. PATENT DOCUMENTS

D814,984 S * 4/2018 Wymore D12/169
D846,459 S * 4/2019 Langhals D12/169

D846,461 S * 4/2019 Piscitelli D12/169
D847,043 S * 4/2019 Kozub D12/169
D859,239 S * 9/2019 Sullivan D12/169
D869,355 S * 12/2019 Dewitt D12/169
D869,356 S * 12/2019 Dewitt D12/169
D869,357 S * 12/2019 Dewitt D12/169
D870,615 S * 12/2019 Wood D12/171

* cited by examiner

Primary Examiner — Melody N Brown

(74) *Attorney, Agent, or Firm* — Eric J. Sosenko;
Jonathan P. O'Brien; Honigman LLP

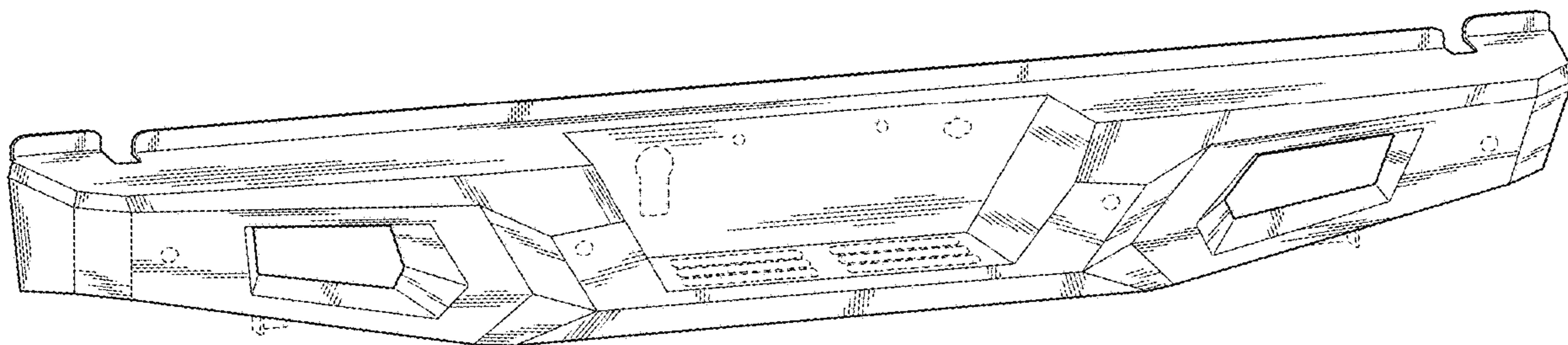
(57) **CLAIM**

The ornamental design for a vehicle rear bumper, as shown and described.

DESCRIPTION

FIG. 1 is a front perspective view of a rear bumper showing my new design;
FIG. 2 is a top plan view thereof;
FIG. 3 is a front elevational view thereof;
FIG. 4 is a bottom plan view thereof;
FIG. 5 is a rear elevational view thereof;
FIG. 6 is a right side elevational view thereof; and,
FIG. 7 is a left side elevational view thereof.
In the drawings, the broken lines depict environmental subject matter only and form no part of the claimed design. Shade lines having a combination of long and short lines in the drawings show contour and not surface ornamentation.

1 Claim, 2 Drawing Sheets



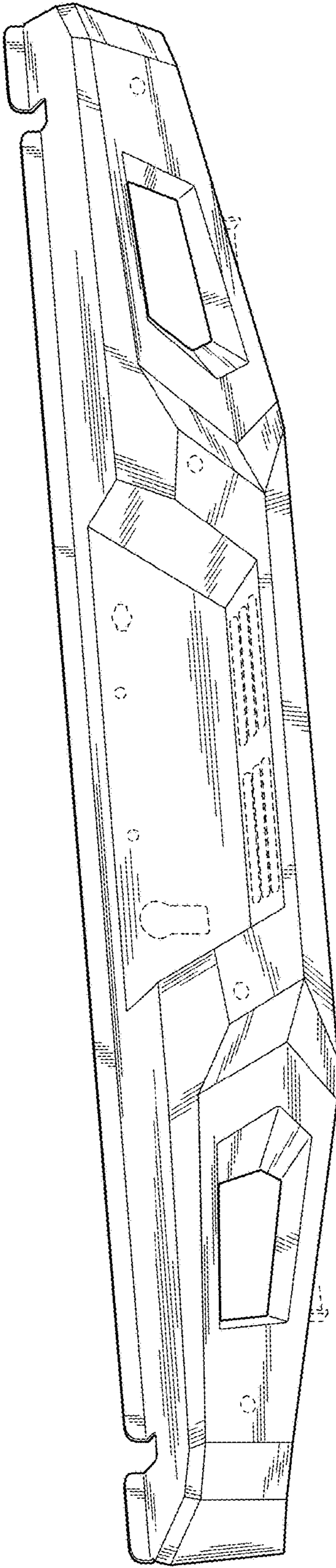


FIG. 1

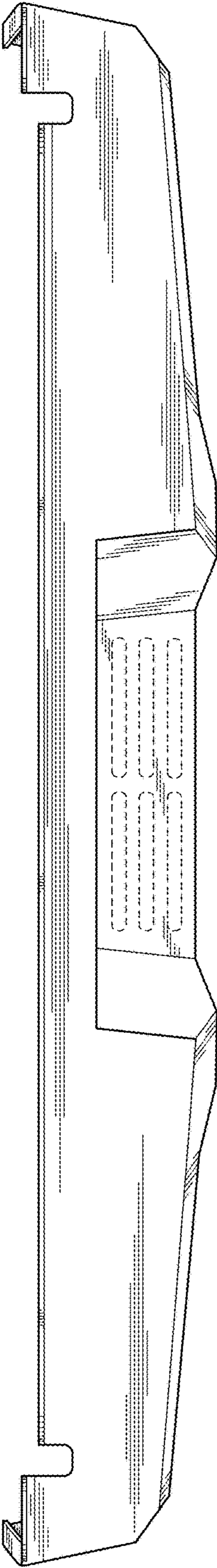


FIG. 2

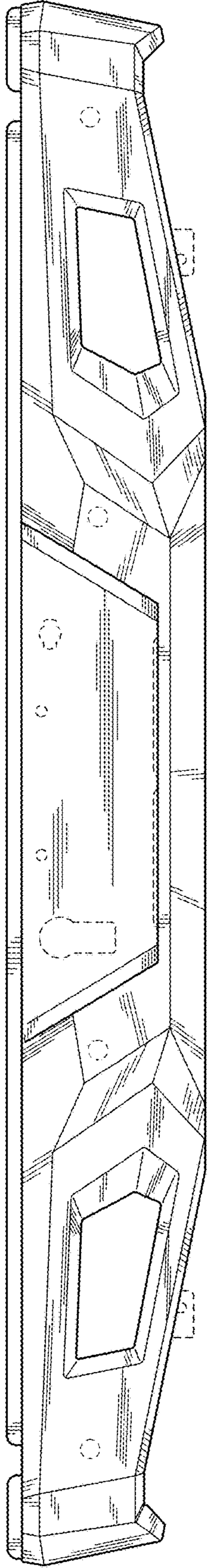


FIG. 3

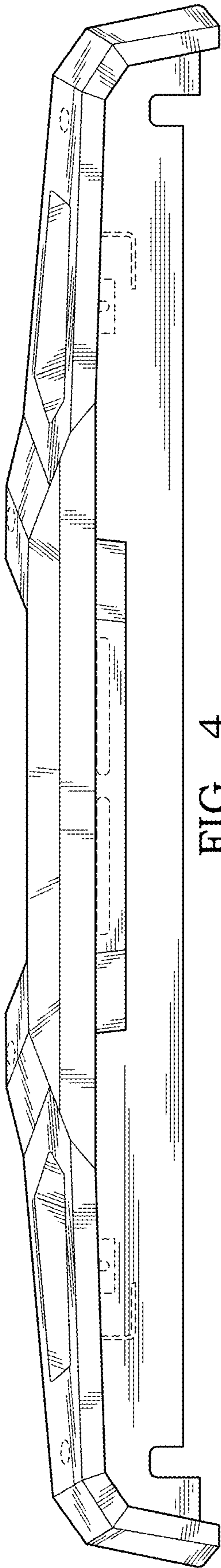


FIG. 4

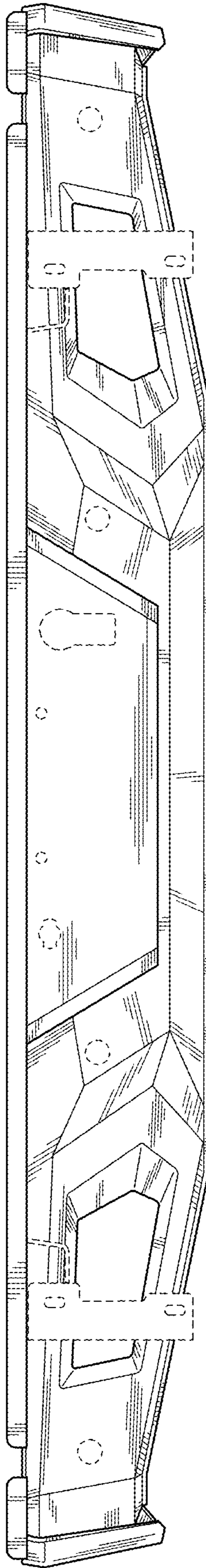


FIG. 5

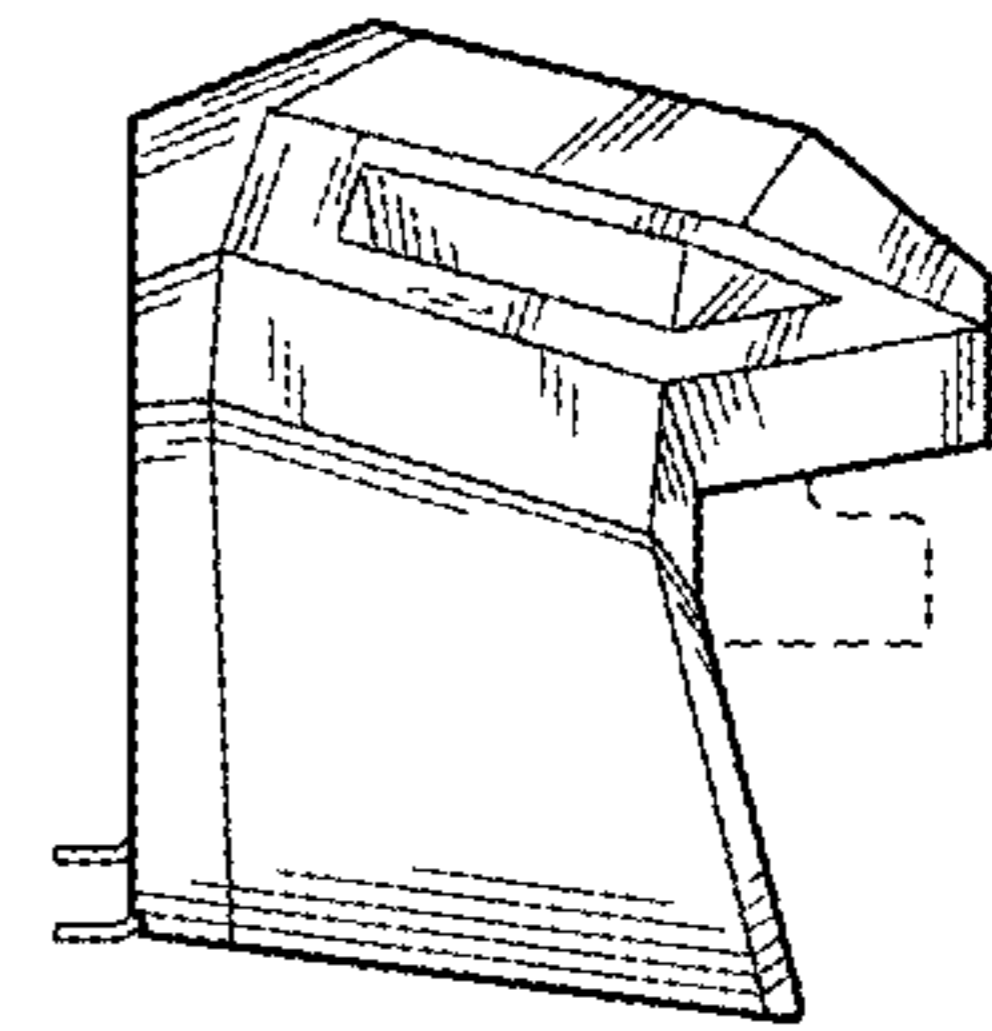


FIG. 6

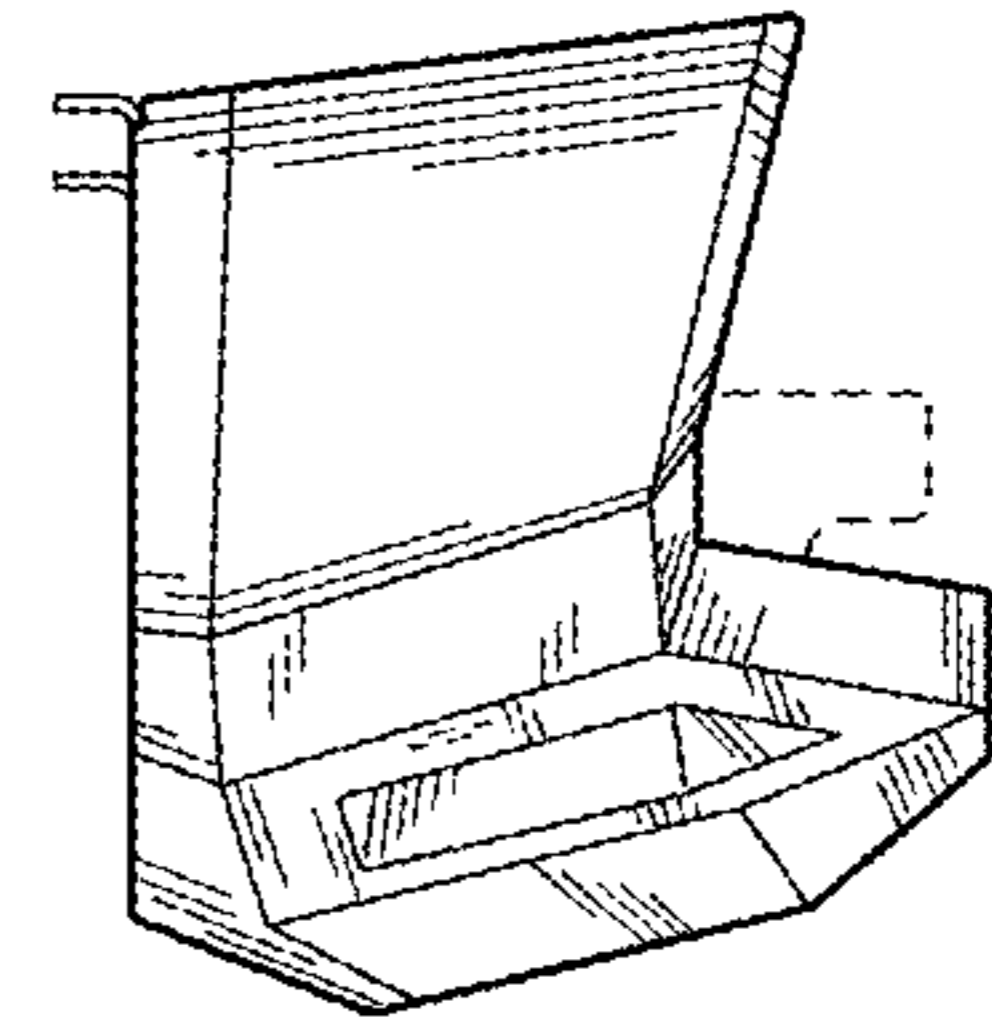


FIG. 7