



US00D891998S

(12) **United States Design Patent** (10) **Patent No.:** **US D891,998 S**  
**Smith** (45) **Date of Patent:** **\*\* Aug. 4, 2020**

(54) **UNIVERSAL WHEEL KNUCKLE FOR VEHICLE**  
(71) Applicant: **Steven H Smith**, Plumas Lake, CA (US)  
(72) Inventor: **Steven H Smith**, Plumas Lake, CA (US)  
(\*\*) Term: **15 Years**  
(21) Appl. No.: **29/643,396**  
(22) Filed: **Apr. 9, 2018**  
(51) **LOC (12) Cl.** ..... **12-16**  
(52) **U.S. Cl.**  
USPC ..... **D12/159**  
(58) **Field of Classification Search**  
USPC ..... D12/159, 177, 160  
CPC ..... B62D 7/18; B62D 7/00; B21D 53/26  
See application file for complete search history.

2012/0049477 A1\* 3/2012 Webster ..... B62D 7/18  
280/93.512  
2016/0159392 A1\* 6/2016 Hoffmann ..... B22D 18/04  
280/93.512  
2018/0086377 A1\* 3/2018 Kleemann ..... B62D 7/18

**OTHER PUBLICATIONS**

What Is a Steering Knuckle posted to quora.com. Available date Dec. 3, 2015 [site visited Jun. 8, 2020] Available: <<https://www.quora.com/What-is-a-steering-knuckle>> (Year: 2015).\*

\* cited by examiner

*Primary Examiner* — Kevin K Rudzinski  
(74) *Attorney, Agent, or Firm* — Craig A. Simmermon

(57) **CLAIM**

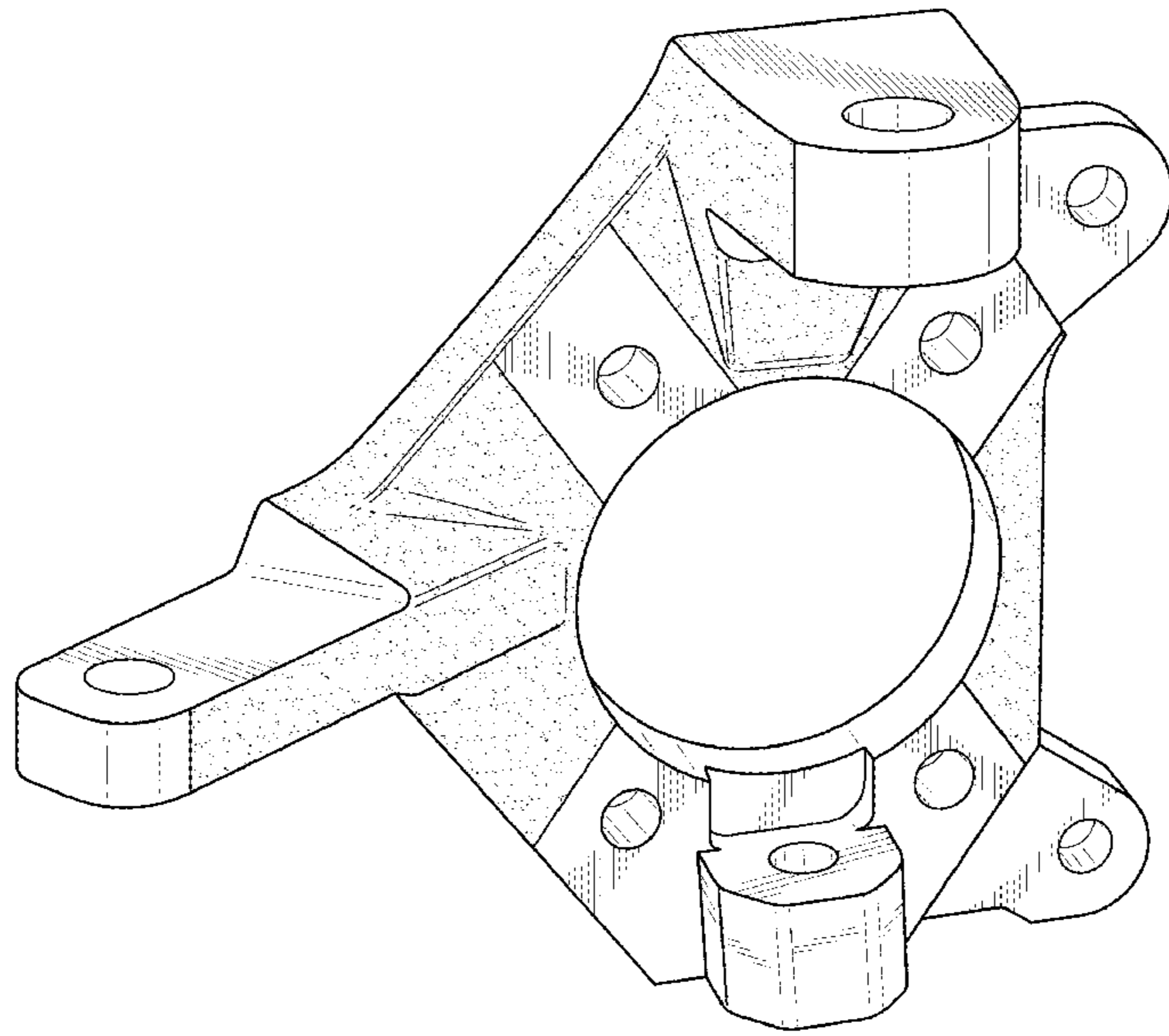
I claim the ornamental design for a universal wheel knuckle for vehicle, as shown and described.

**DESCRIPTION**

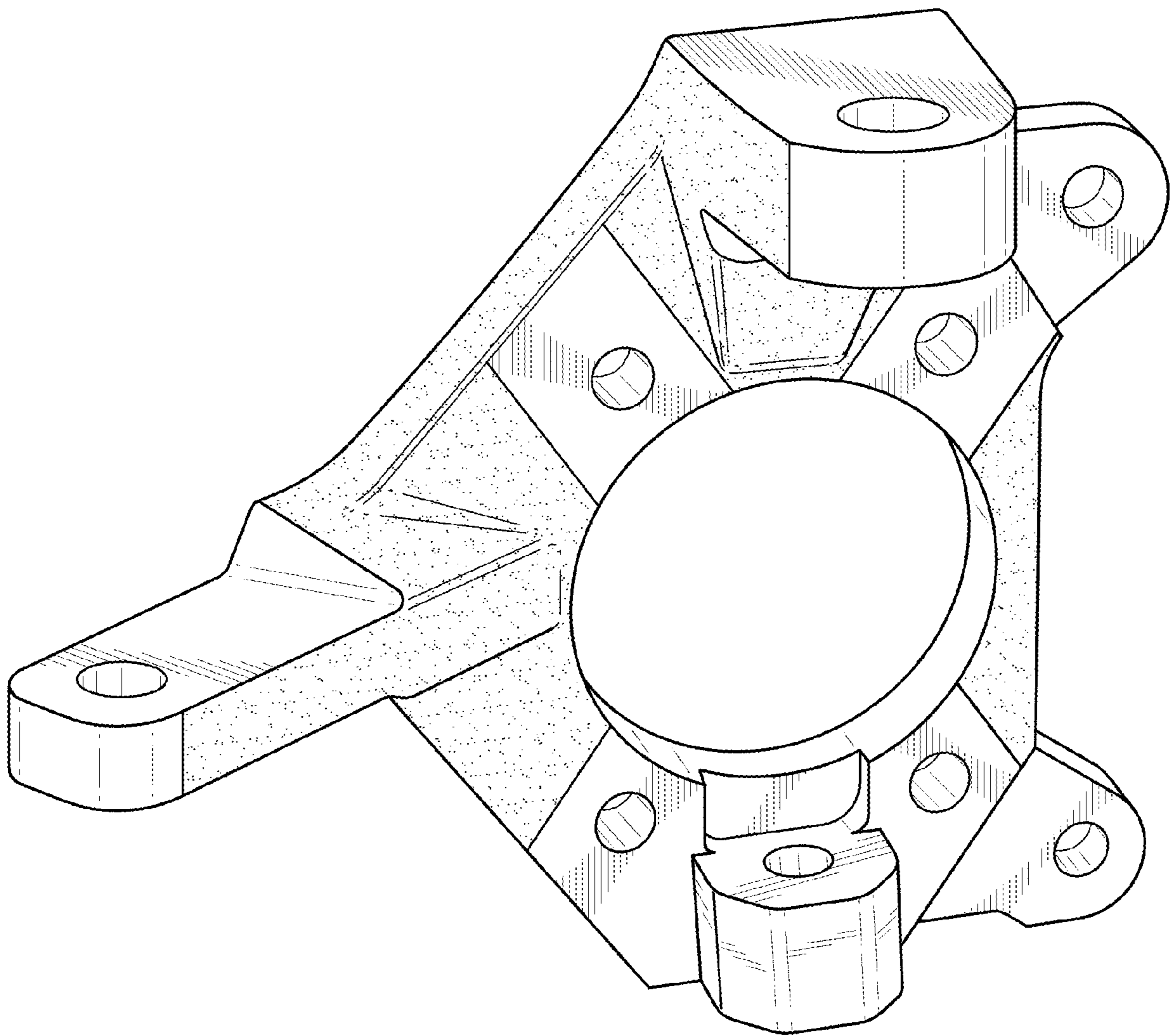
FIG. 1 is a top right perspective view of a first mode of a universal wheel knuckle for vehicle showing my new design;  
FIG. 2 is a right side elevation view thereof;  
FIG. 3 is a front elevation view thereof;  
FIG. 4 is a rear elevation view thereof;  
FIG. 5 is a top plan view thereof;  
FIG. 6 is a bottom plan view thereof;  
FIG. 7 is a left side elevation view thereof;  
FIG. 8 is a top left perspective view of a second mode of a universal wheel knuckle for vehicle showing my new design;  
FIG. 9 is a left side elevation view thereof;  
FIG. 10 is a front elevation view thereof;  
FIG. 11 is a rear elevation view thereof;  
FIG. 12 is a top plan view thereof;  
FIG. 13 is a bottom plan view thereof; and,  
FIG. 14 is a right side elevation view thereof.

**1 Claim, 12 Drawing Sheets**

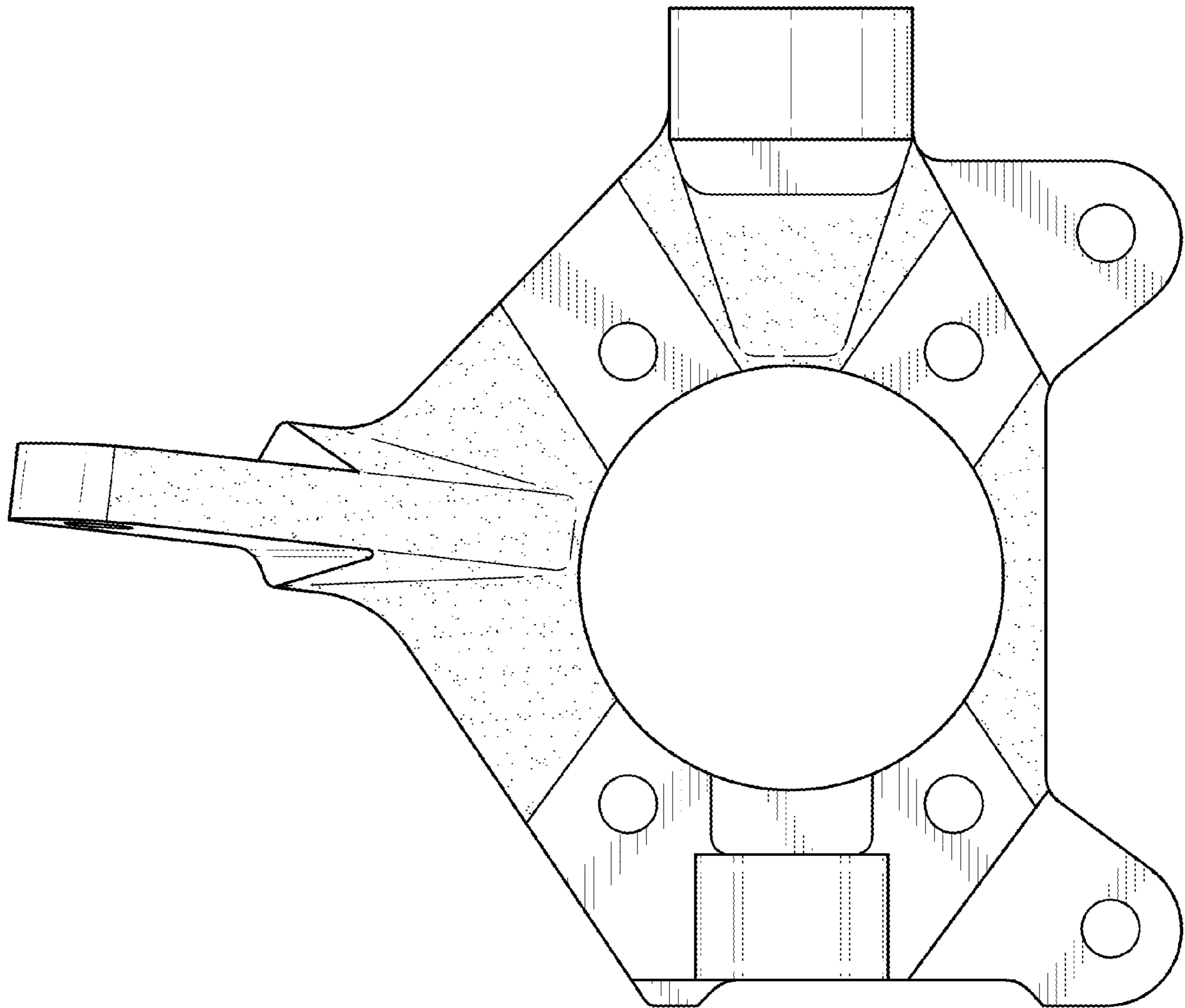
(56) **References Cited**  
**U.S. PATENT DOCUMENTS**  
D504,363 S \* 4/2005 McGaughy ..... D12/160  
7,739,795 B1 \* 6/2010 Black ..... B23B 5/02  
29/894.361  
8,656,568 B2 \* 2/2014 Nix ..... B23Q 3/062  
29/255  
D764,360 S \* 8/2016 Conner ..... D12/159  
D772,126 S \* 11/2016 Sun ..... D12/177  
D845,842 S \* 4/2019 Sun ..... D12/159  
D864,798 S \* 10/2019 Sun ..... D12/159  
2005/0200094 A1 \* 9/2005 Hozumi ..... B60G 7/008  
280/124.135  
2006/0096097 A1 \* 5/2006 Sadanowicz ..... B60B 27/0084  
29/894.362  
2008/0296860 A1 \* 12/2008 Webster ..... B62D 7/18  
280/93.512  
2011/0025011 A1 \* 2/2011 Lee ..... B60G 7/008  
280/124.126



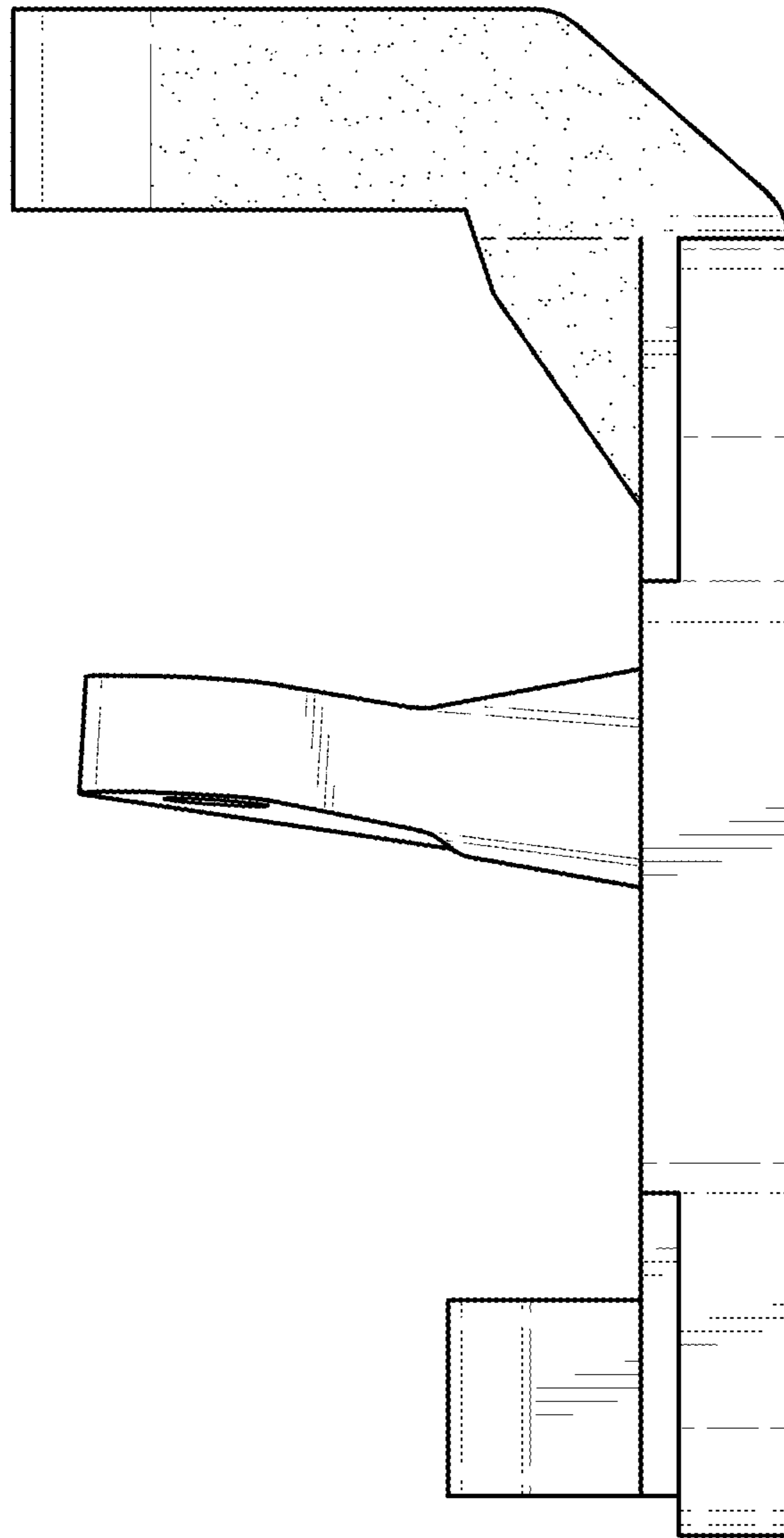
**FIG. 1**



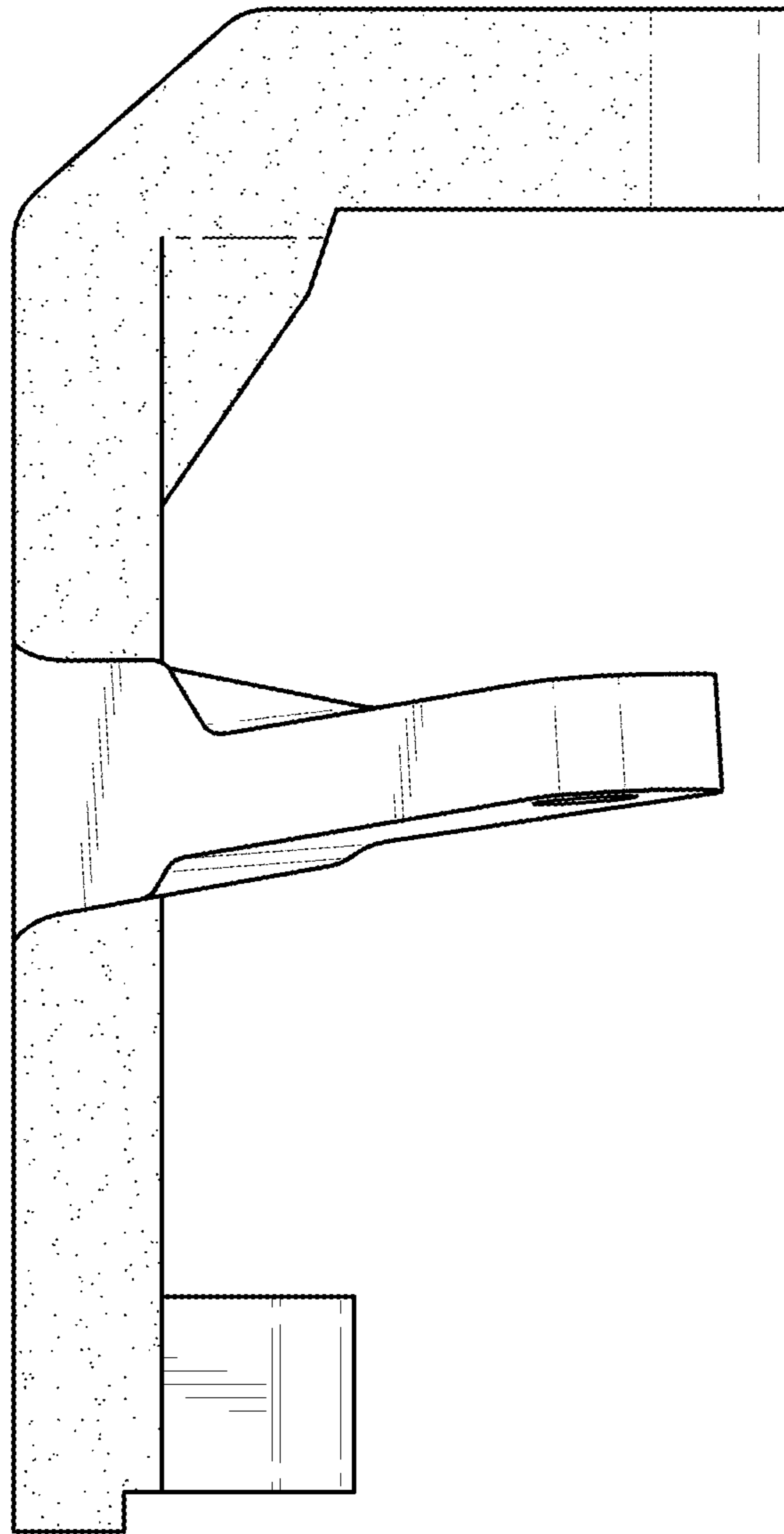
*FIG. 2*



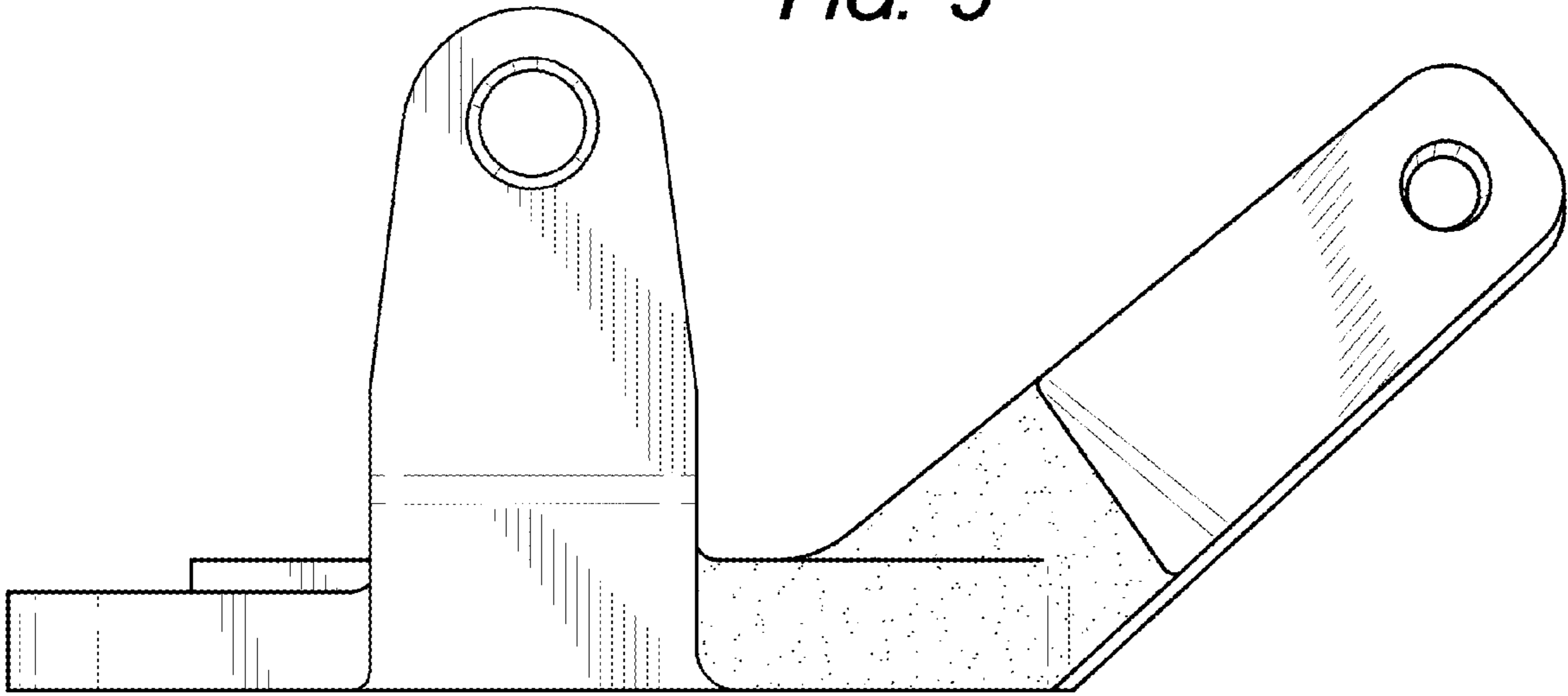
**FIG. 3**



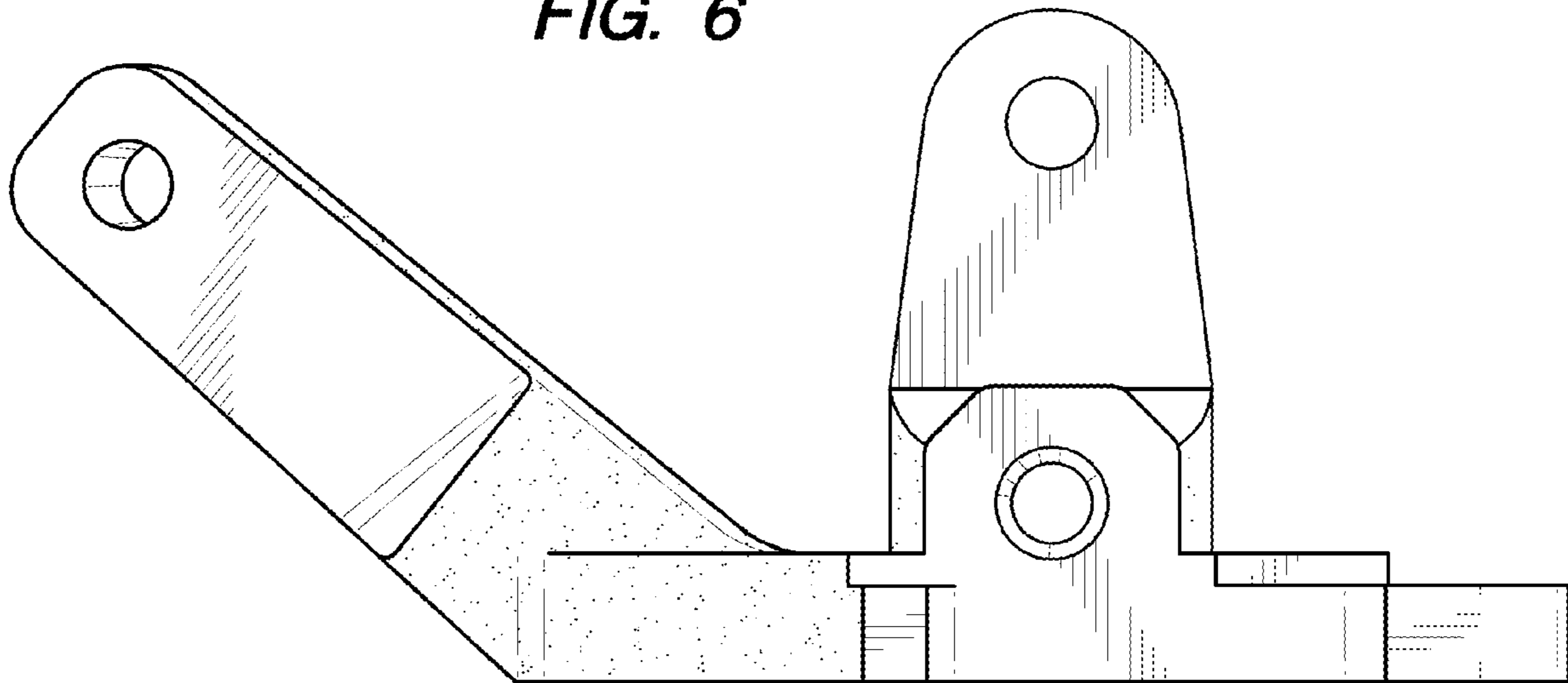
**FIG. 4**



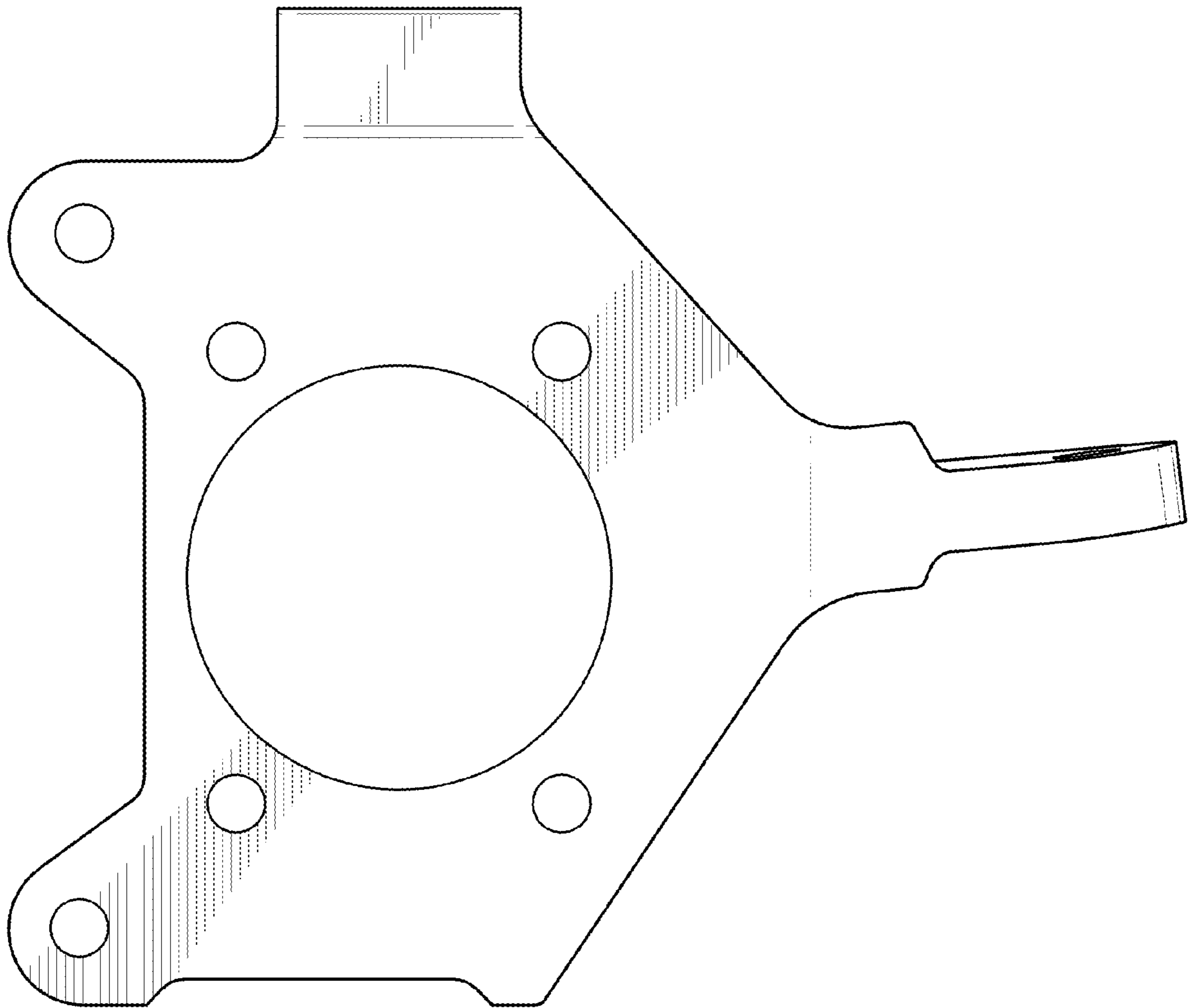
**FIG. 5**



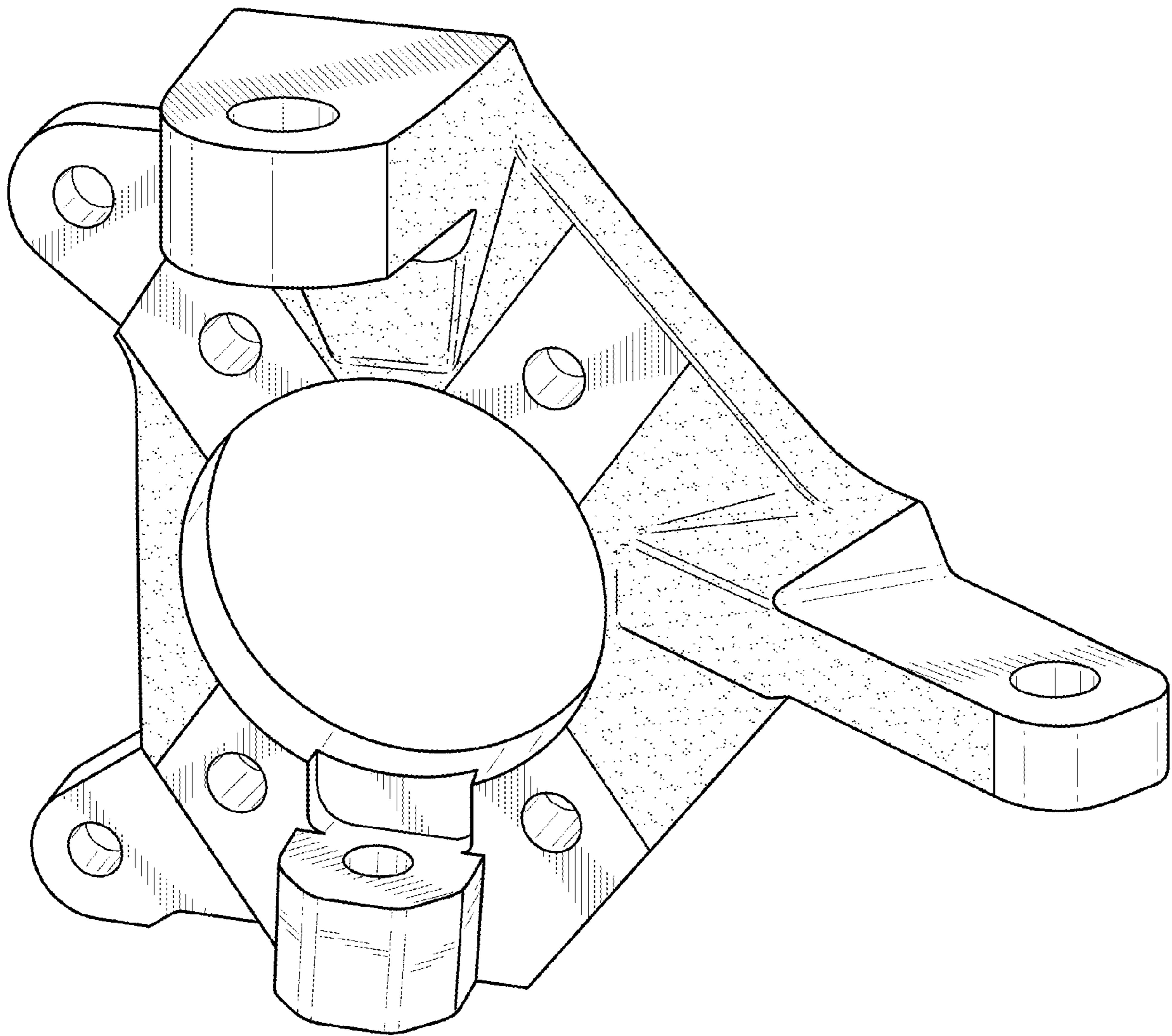
**FIG. 6**



**FIG. 7**

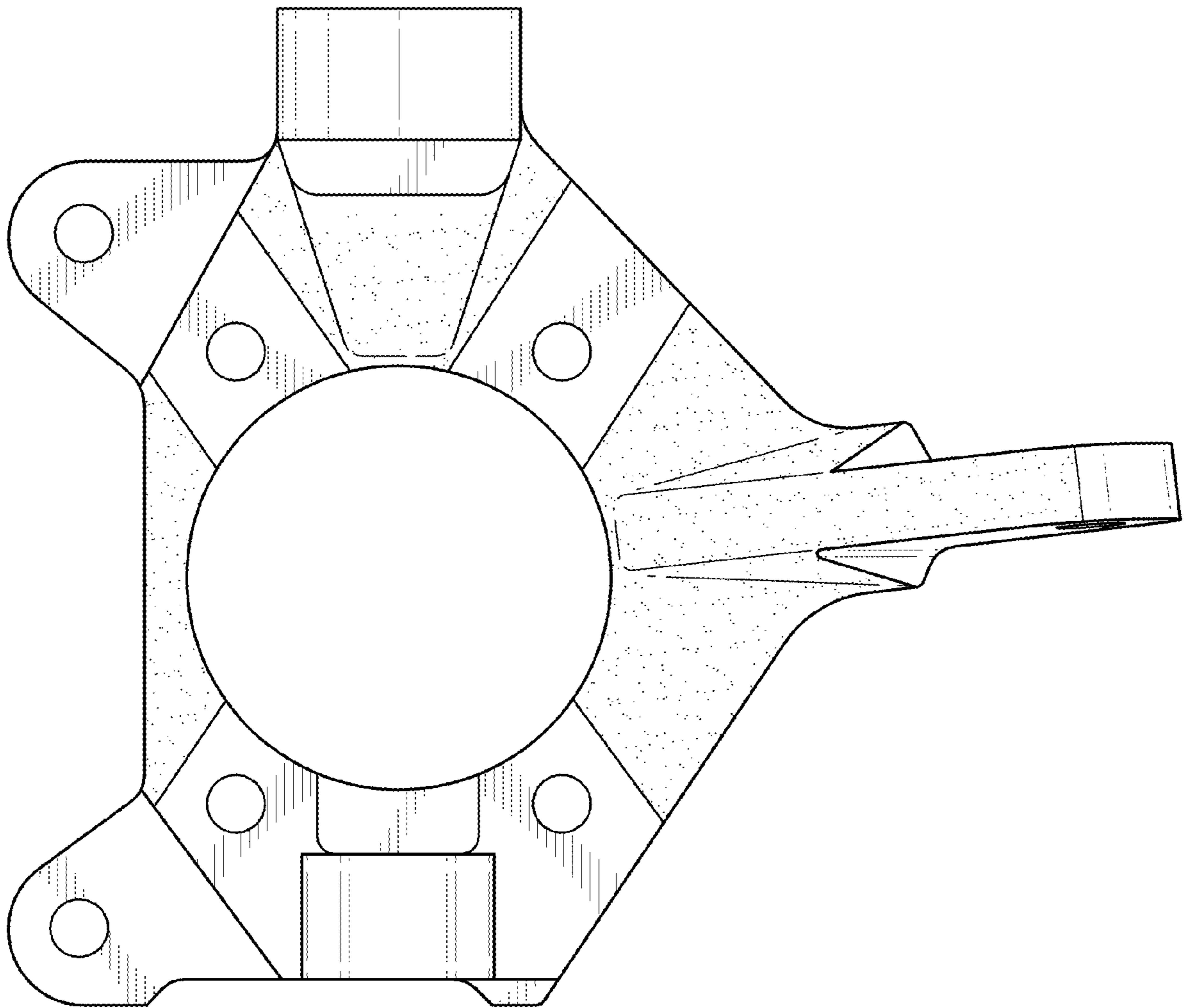


*FIG. 8*

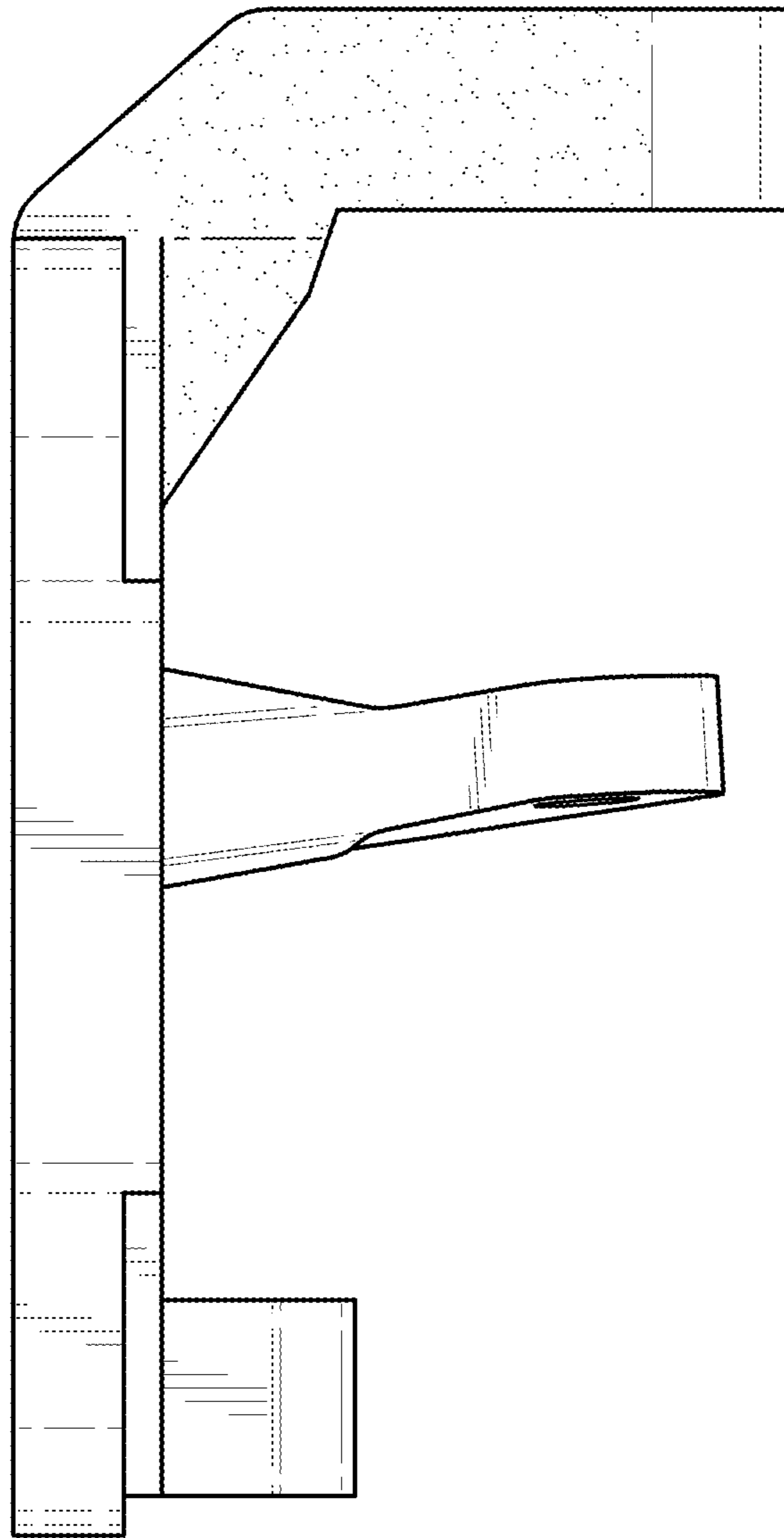




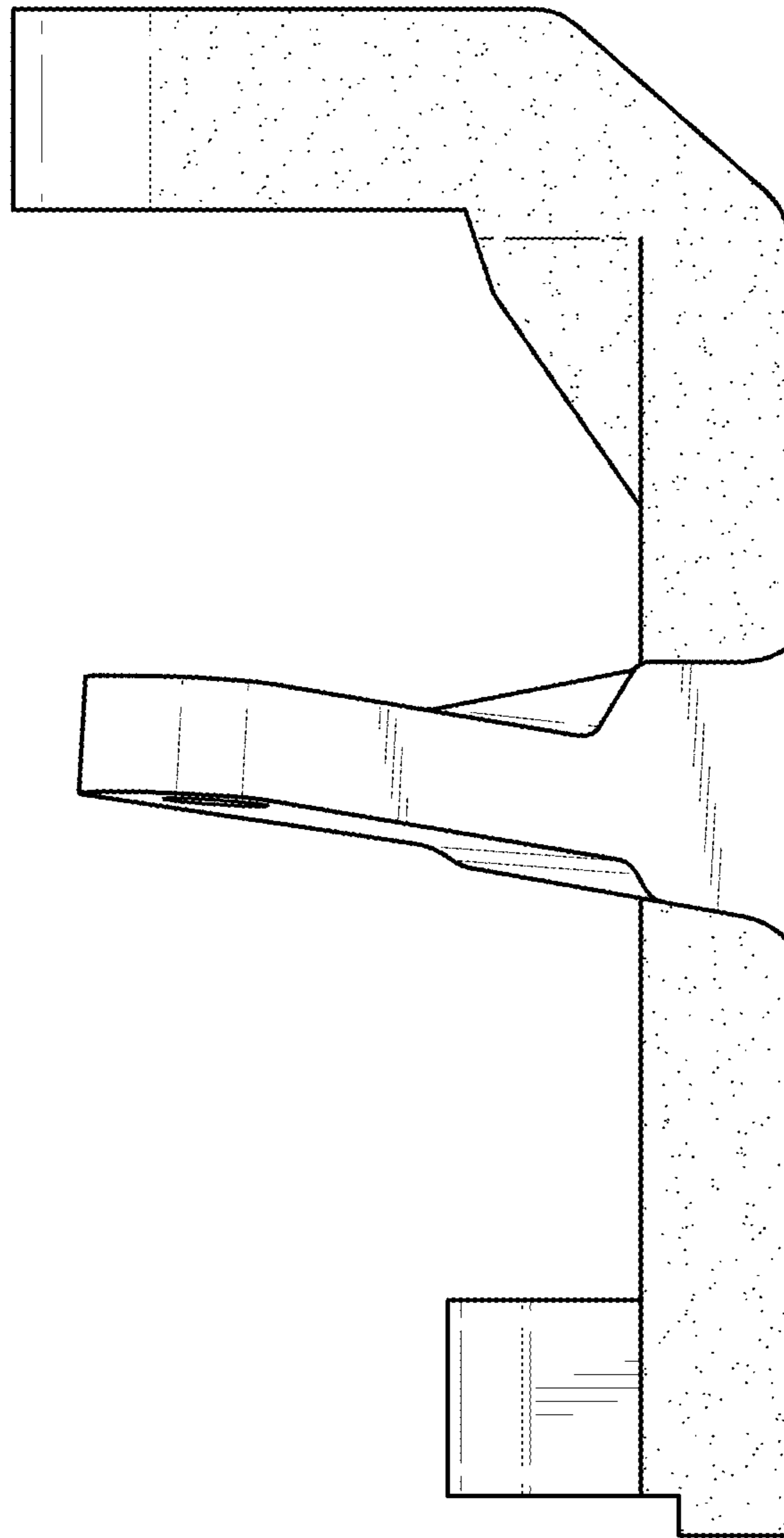
**FIG. 9**



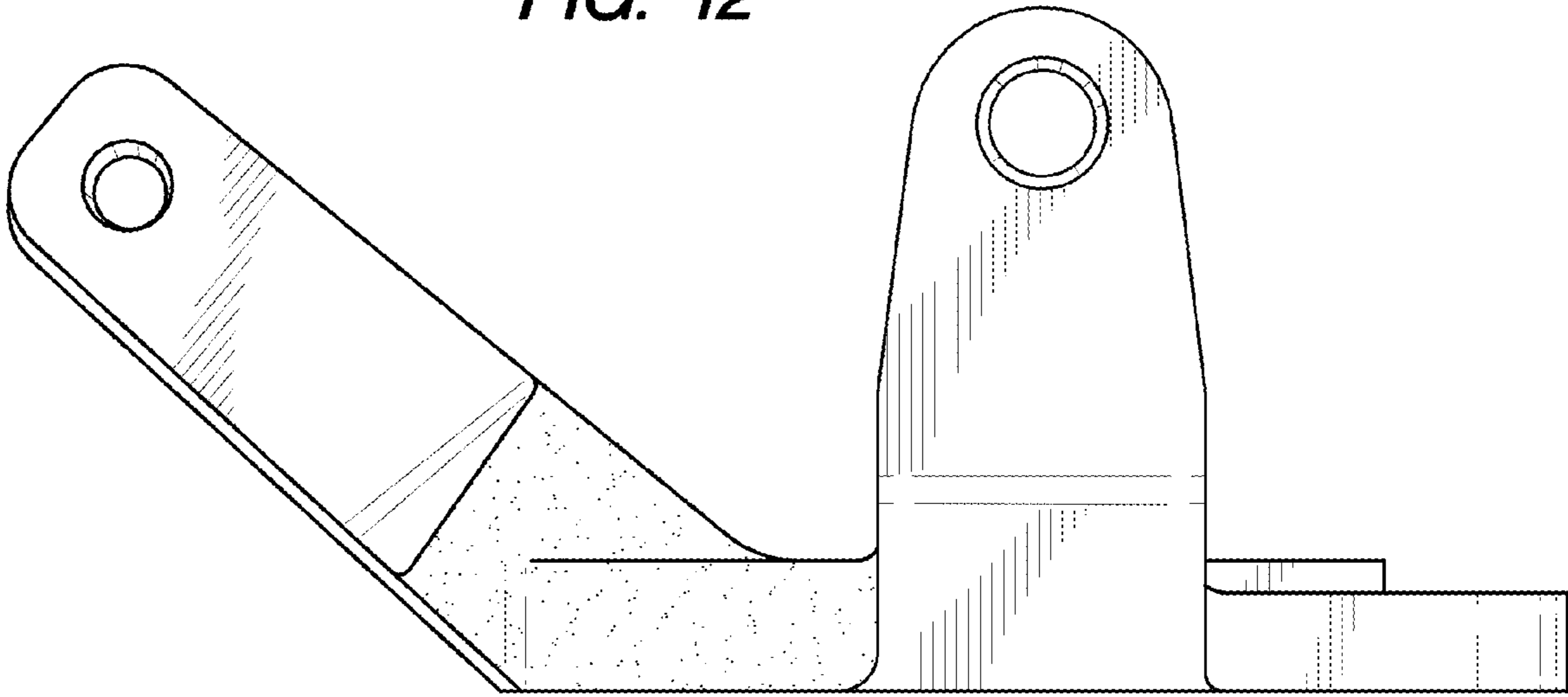
**FIG. 10**



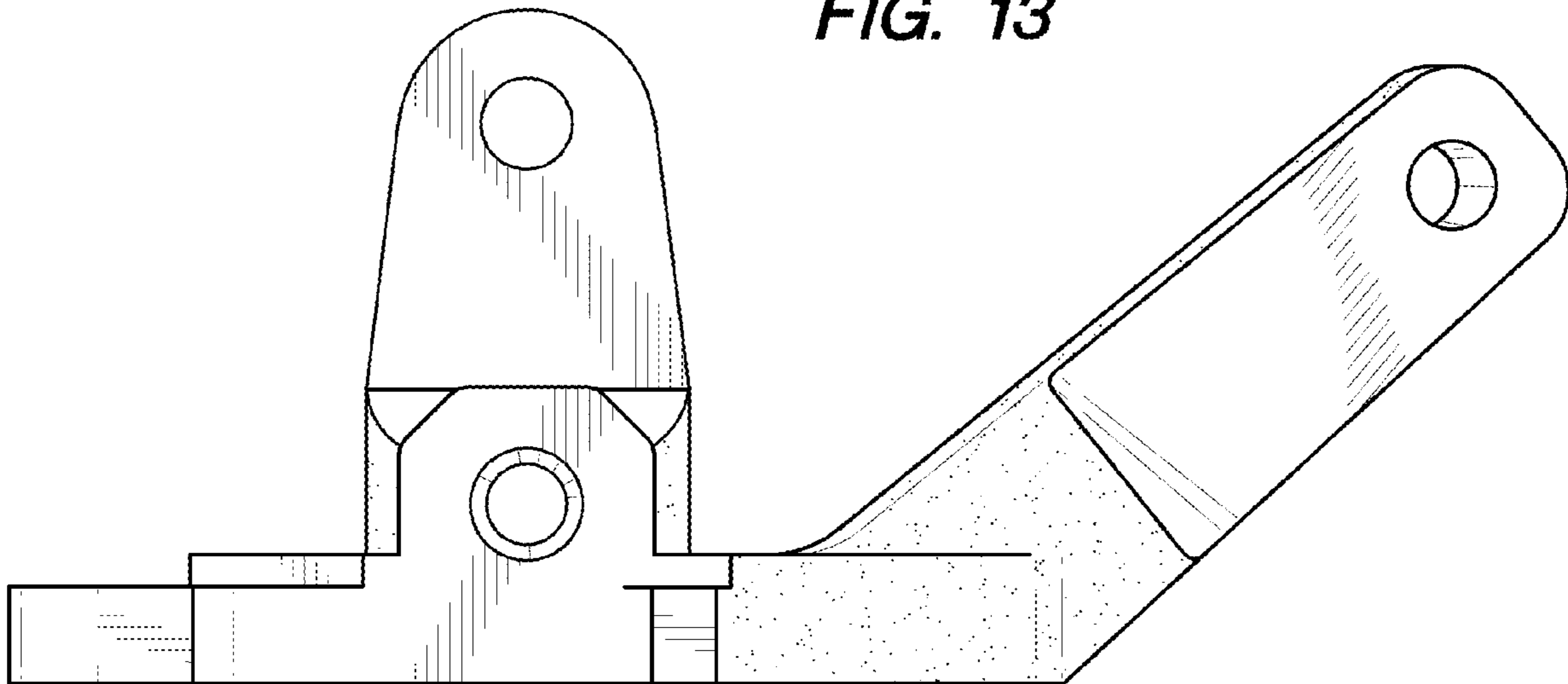
*FIG. 11*



**FIG. 12**



**FIG. 13**



**FIG. 14**

