



US00D891996S

(12) **United States Design Patent Grant** (10) **Patent No.:** **US D891,996 S**
(45) **Date of Patent:** **** Aug. 4, 2020**

- (54) **ELECTRIC WHEELCHAIR**
- (71) Applicant: **Pride Mobility Products Corporation**, Exeter, PA (US)
- (72) Inventor: **Michael A. Grant**, Jermyn, PA (US)
- (73) Assignee: **PRIDE MOBILITY PRODUCTS CORPORATION**, Exeter, PA (US)
- (**) Term: **15 Years**
- (21) Appl. No.: **29/698,780**
- (22) Filed: **Jul. 19, 2019**

D801,234 S *	10/2017	Elon	D12/133
D808,868 S *	1/2018	Cheng	D12/128
D809,436 S	2/2018	Tang		
D811,279 S *	2/2018	McCullough	D12/131
D824,292 S *	7/2018	Surbeck	D12/131
D833,919 S *	11/2018	McCullough	D12/131
D848,317 S *	5/2019	Sugie	D12/131
D857,562 S *	8/2019	McCullough	D12/131

* cited by examiner

Primary Examiner — Charles D Hanson
(74) *Attorney, Agent, or Firm* — Morgan, Lewis & Bockius LLP

Related U.S. Application Data

- (63) Continuation of application No. 29/640,672, filed on Mar. 16, 2018, now Pat. No. Des. 860,068.
- (51) **LOC (12) Cl.** **12-12**
- (52) **U.S. Cl.**
USPC **D12/133; D12/131**
- (58) **Field of Classification Search**
USPC D12/128–133
CPC A61G 5/00–14
See application file for complete search history.

References Cited

U.S. PATENT DOCUMENTS

D572,175 S	7/2008	Lai	
D600,169 S *	9/2009	Chiu D12/133
D643,345 S	8/2011	Barenbrug	
D652,357 S *	1/2012	Jurkiewicz D12/128
D653,176 S *	1/2012	Jurkiewicz D12/131
D656,070 S *	3/2012	Spalding D12/131
D720,659 S *	1/2015	Tuckowski D12/131
D745,443 S	12/2015	Van Olst et al.	
D746,182 S	12/2015	Santamaria	
D746,724 S	1/2016	Mascull et al.	
D787,382 S *	5/2017	Elon D12/133

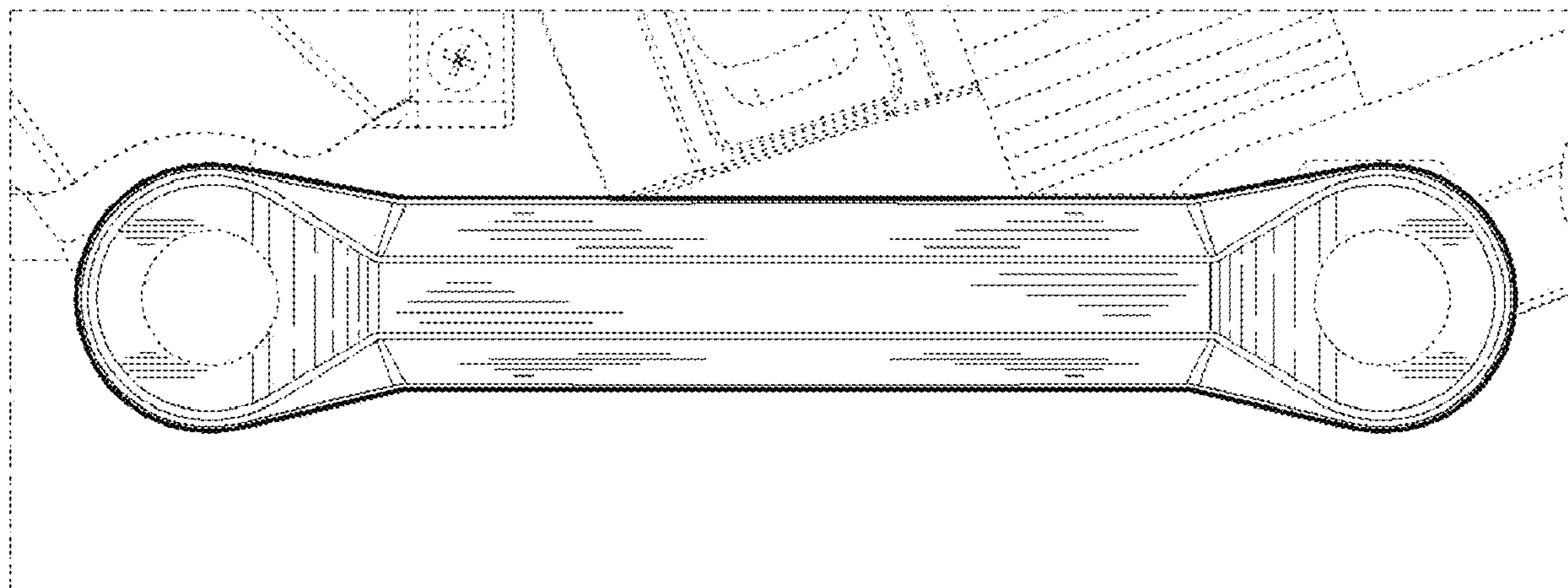
(57) **CLAIM**

The ornamental design for an electric wheelchair, as shown and described.

DESCRIPTION

FIG. 1 is a front perspective view of an electric wheelchair showing my new design;
 FIG. 2 is a rear perspective view thereof;
 FIG. 3 is a front elevational view thereof;
 FIG. 4 is a rear elevational view thereof;
 FIG. 5 is a left-side elevational view thereof;
 FIG. 6 is a right-side elevational view thereof;
 FIG. 7 is a top plan view thereof;
 FIG. 8 is a bottom plan view thereof;
 FIG. 9 is an enlarged rear perspective view of the tie-rod of the electric wheelchair shown in FIG. 2; and,
 FIG. 10 is an enlarged right-side view of the tie-rod of the electric wheelchair shown in FIG. 6.
 The broken lines immediately adjacent the shaded areas represent the bounds of the claimed design, while all other broken lines are directed to unclaimed portions and are for illustrative purposes only; the broken lines form no part of the claimed design.

1 Claim, 10 Drawing Sheets



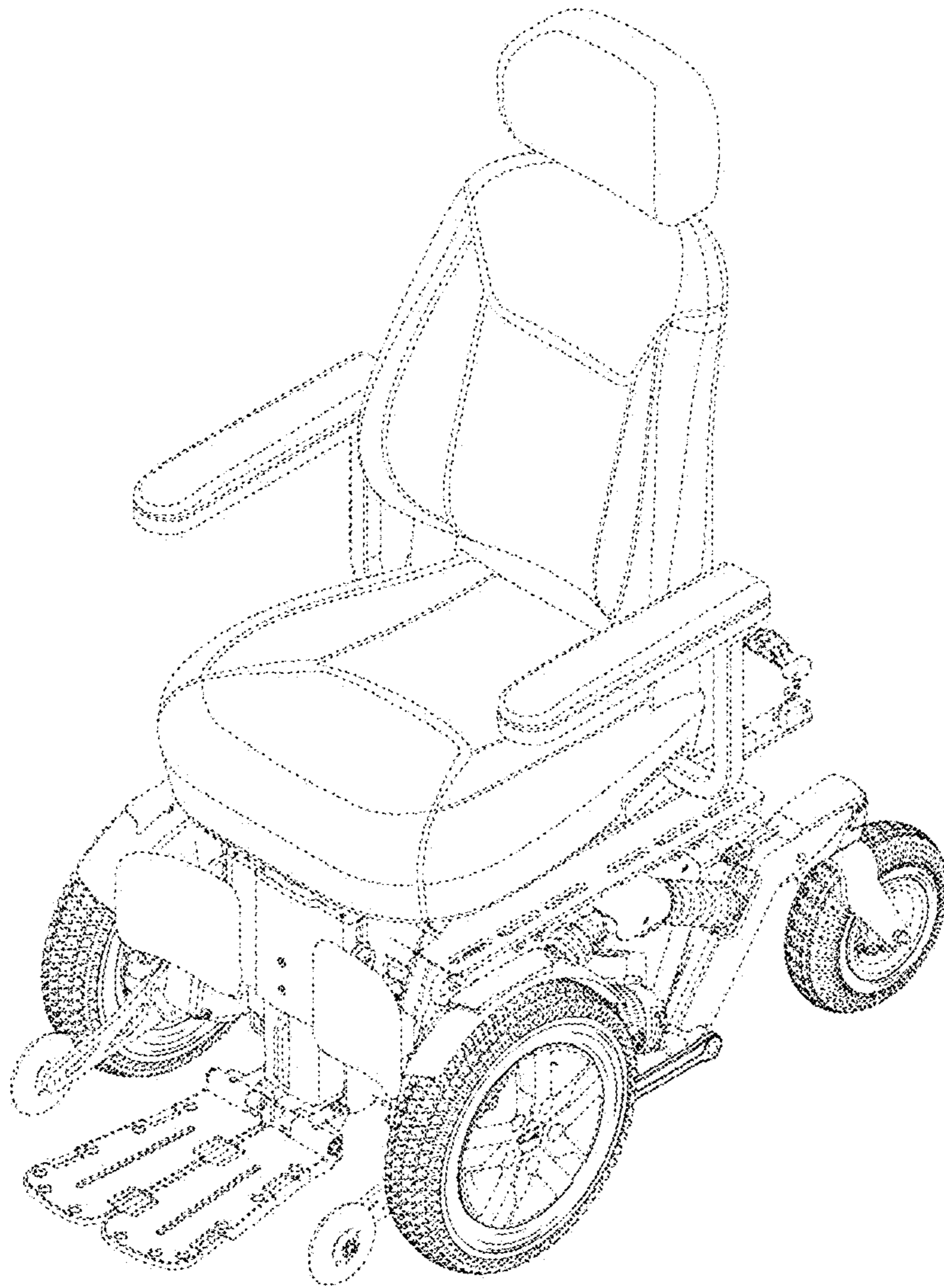


FIG. 1

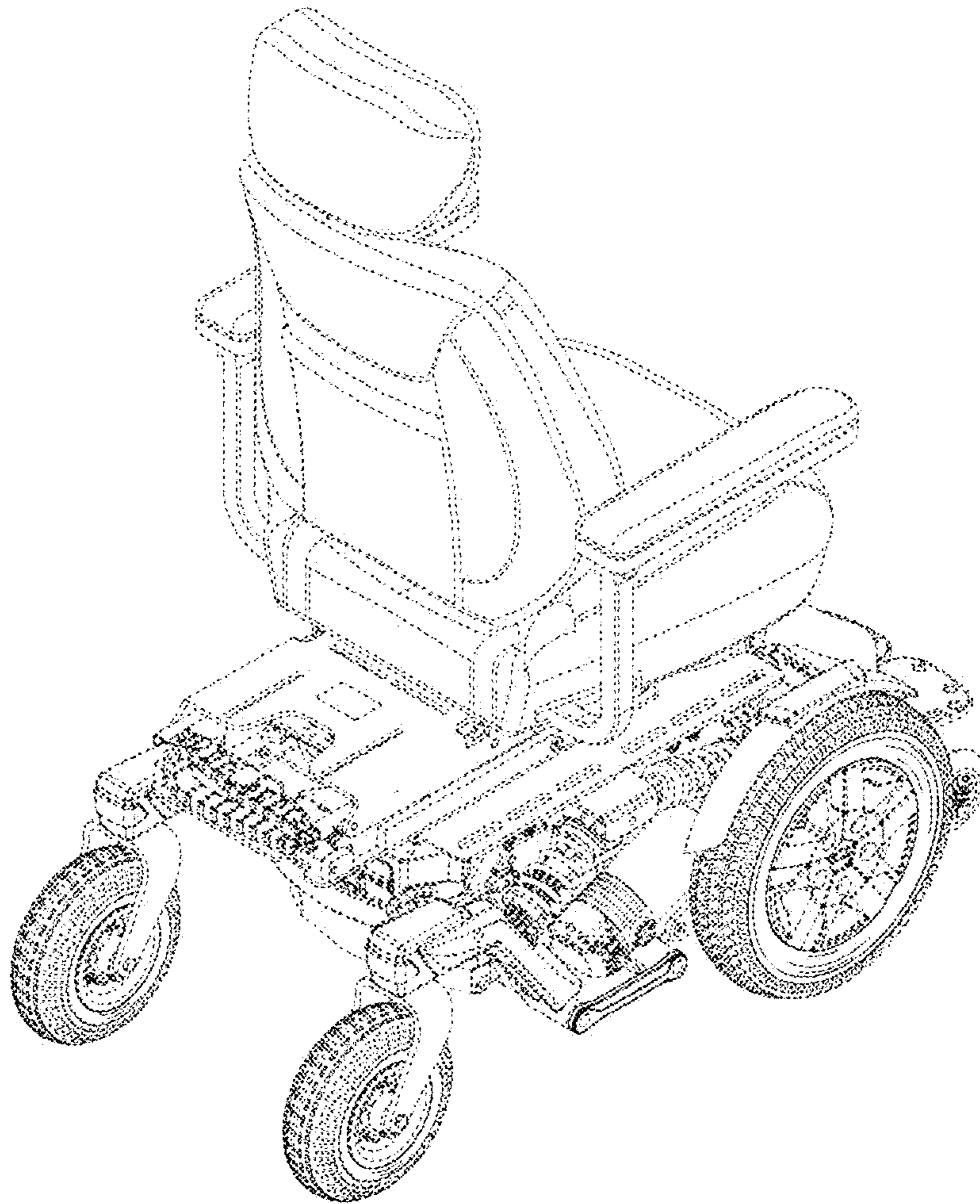


FIG. 2

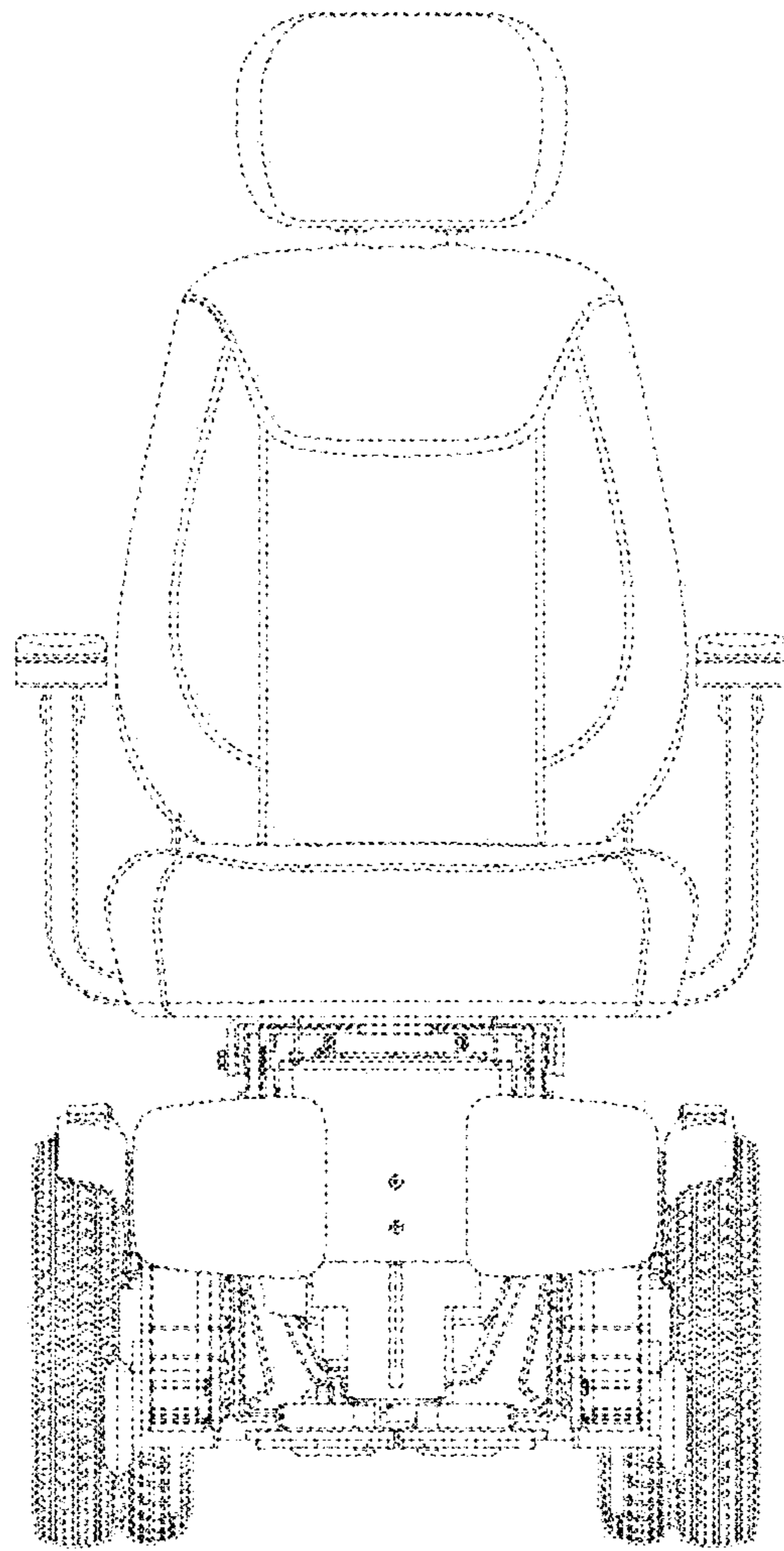


FIG. 3

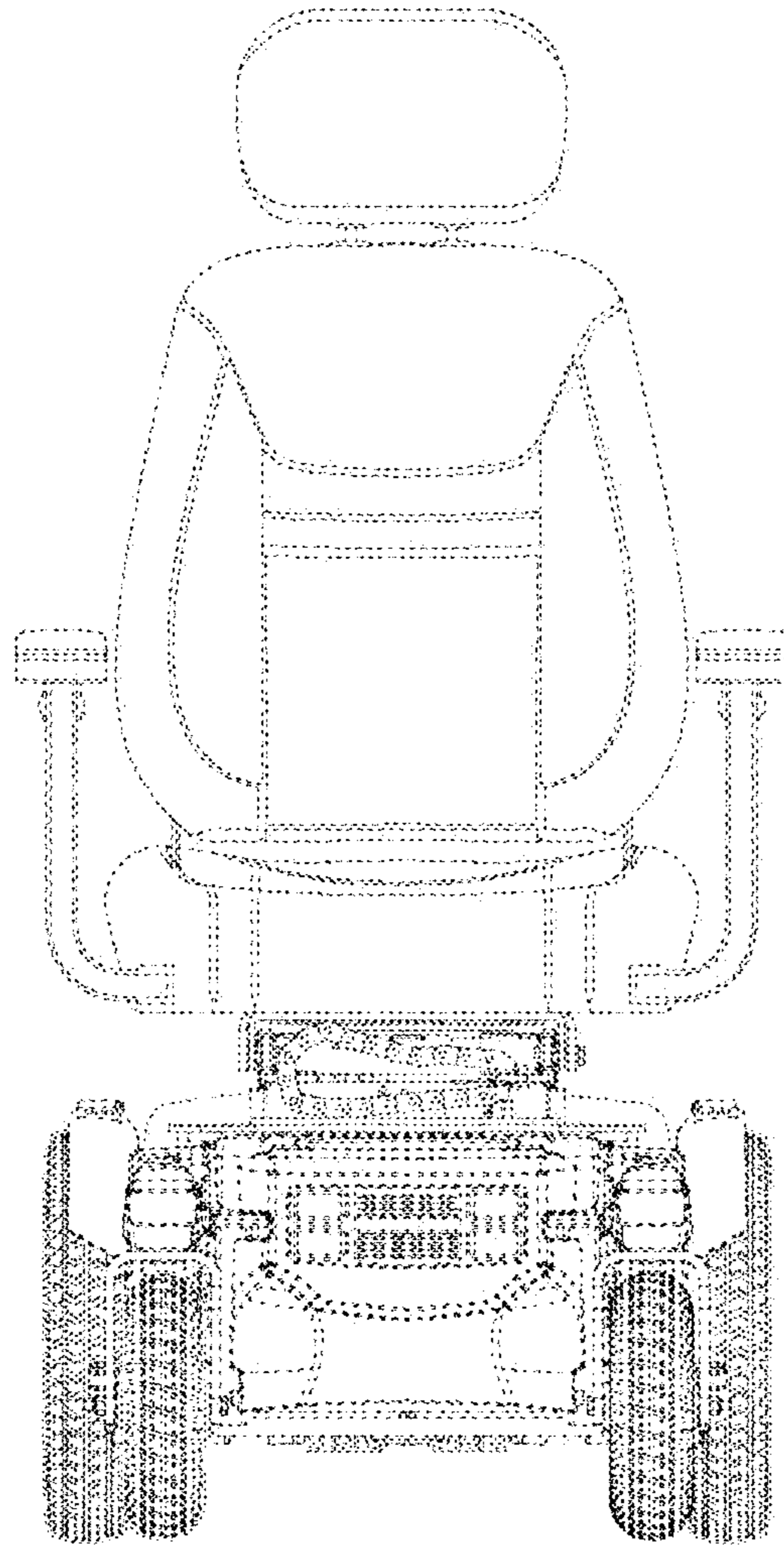


FIG. 4

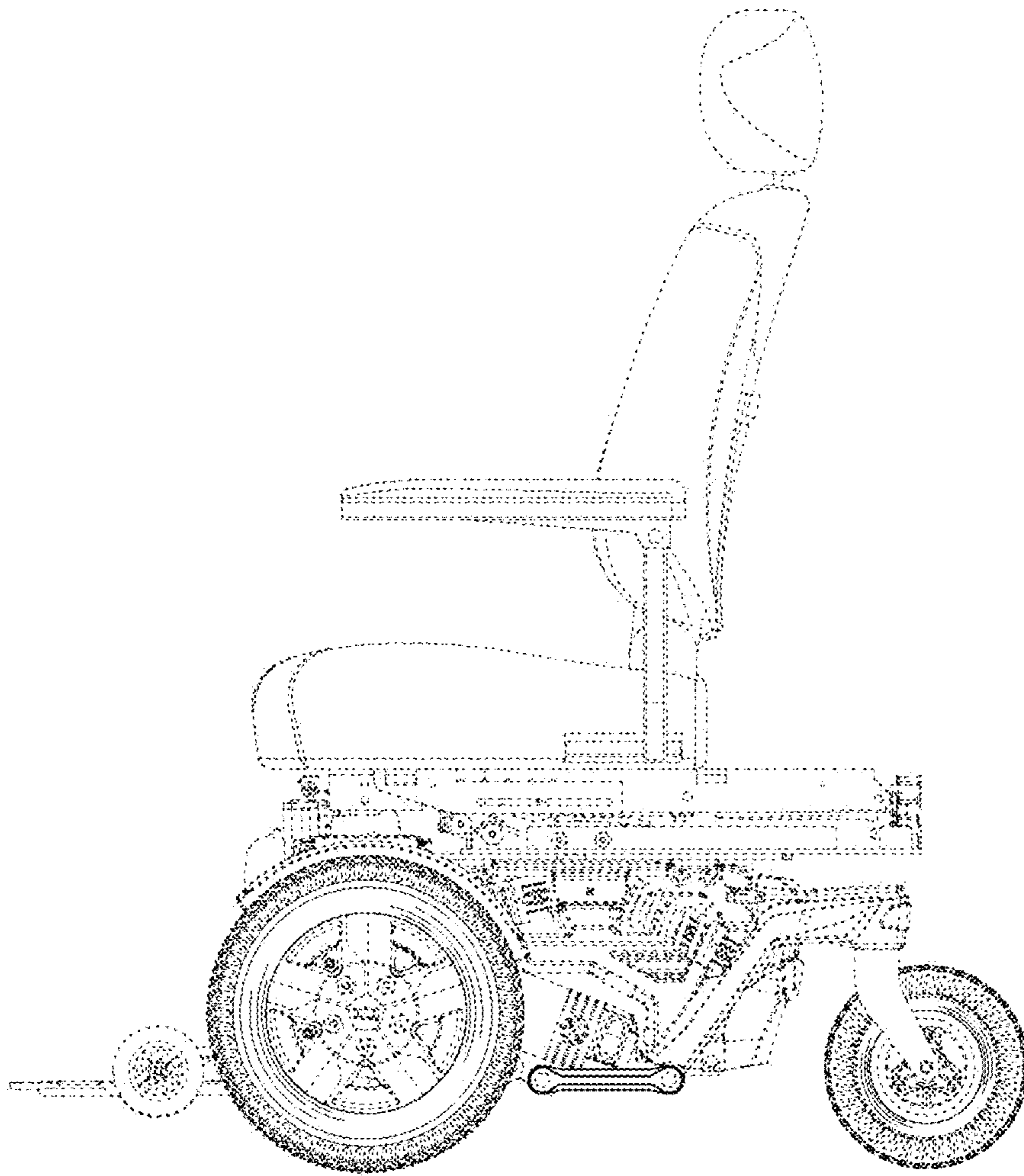


FIG. 5

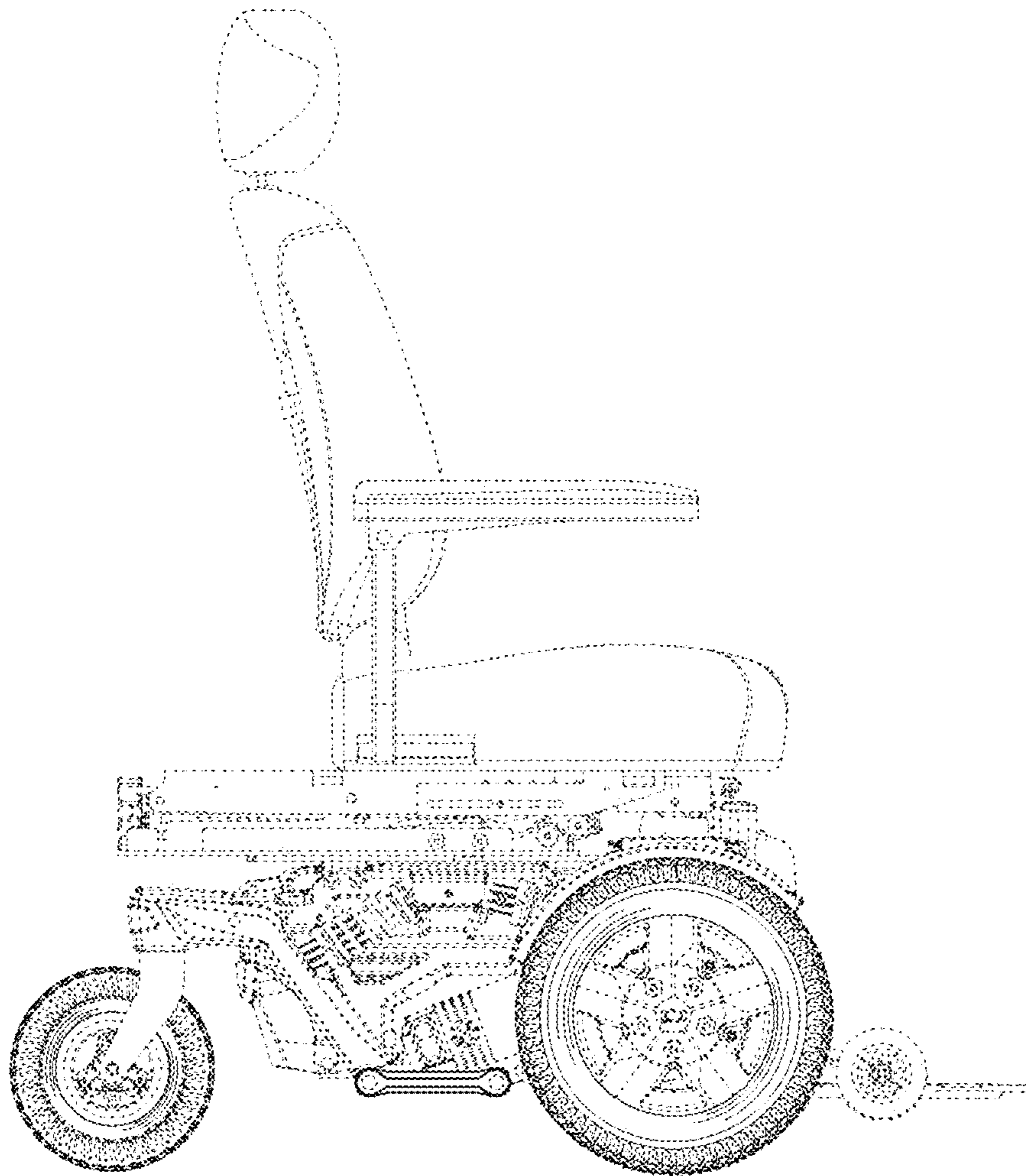


FIG. 6

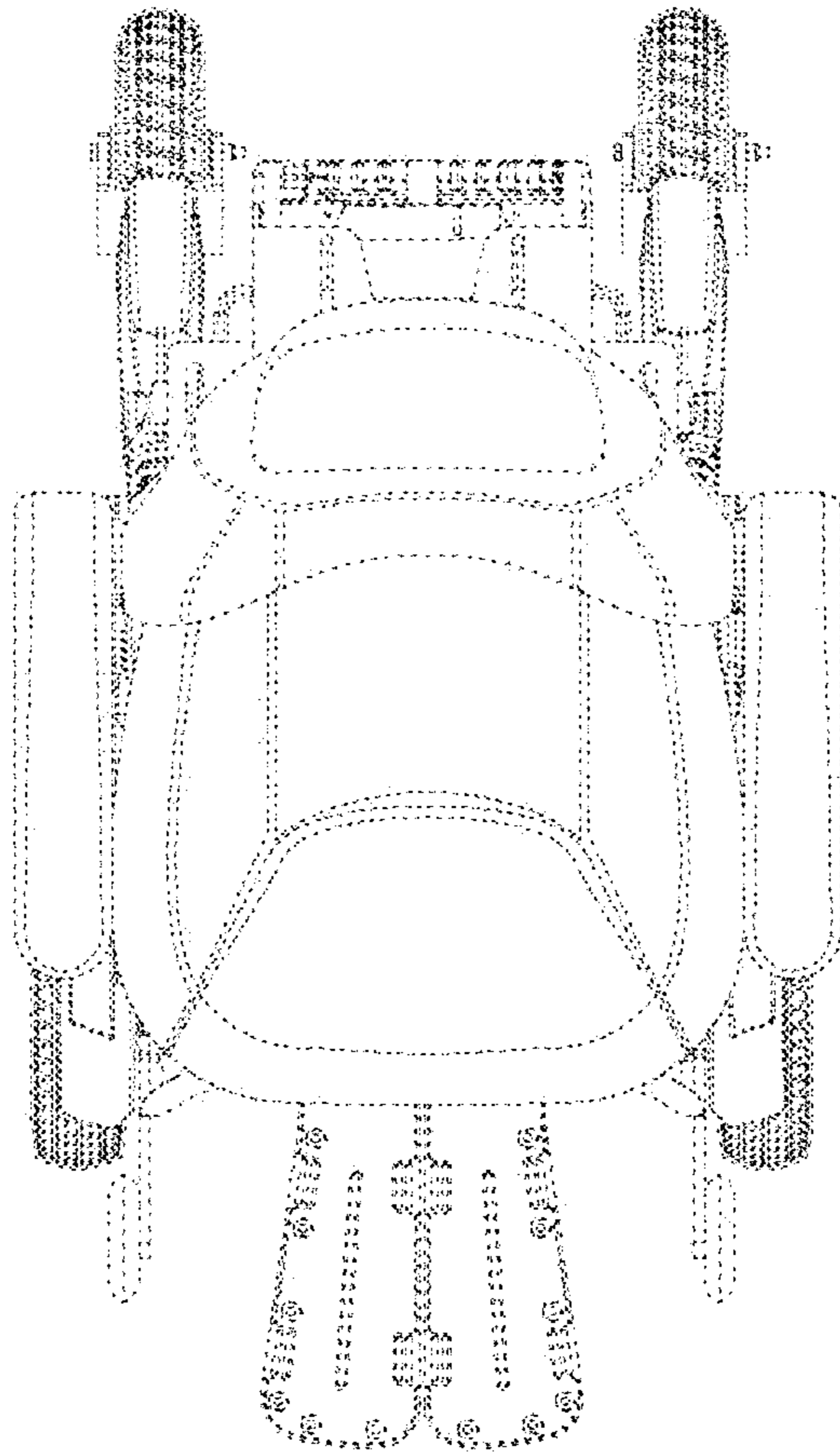


FIG. 7

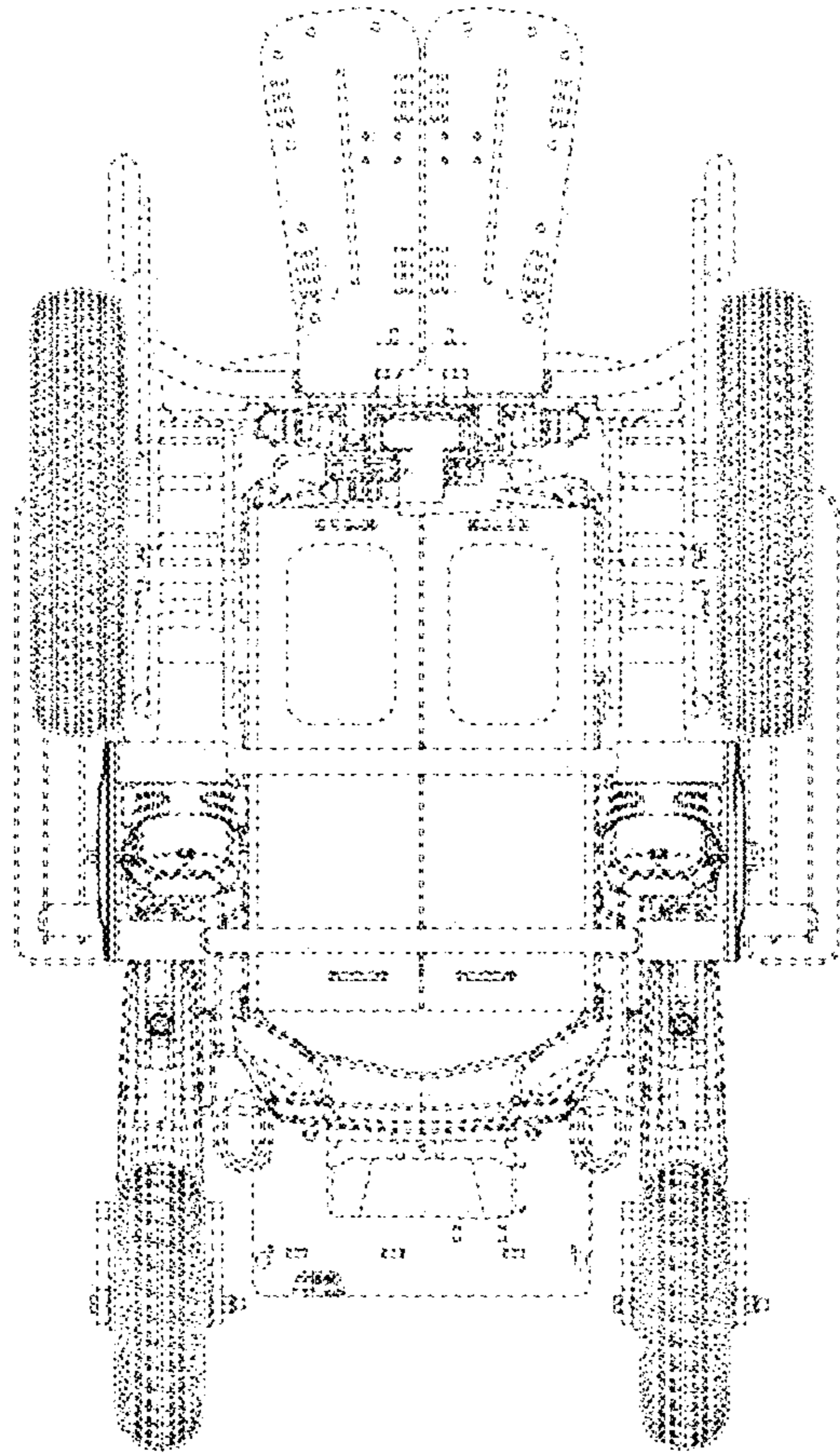


FIG. 8

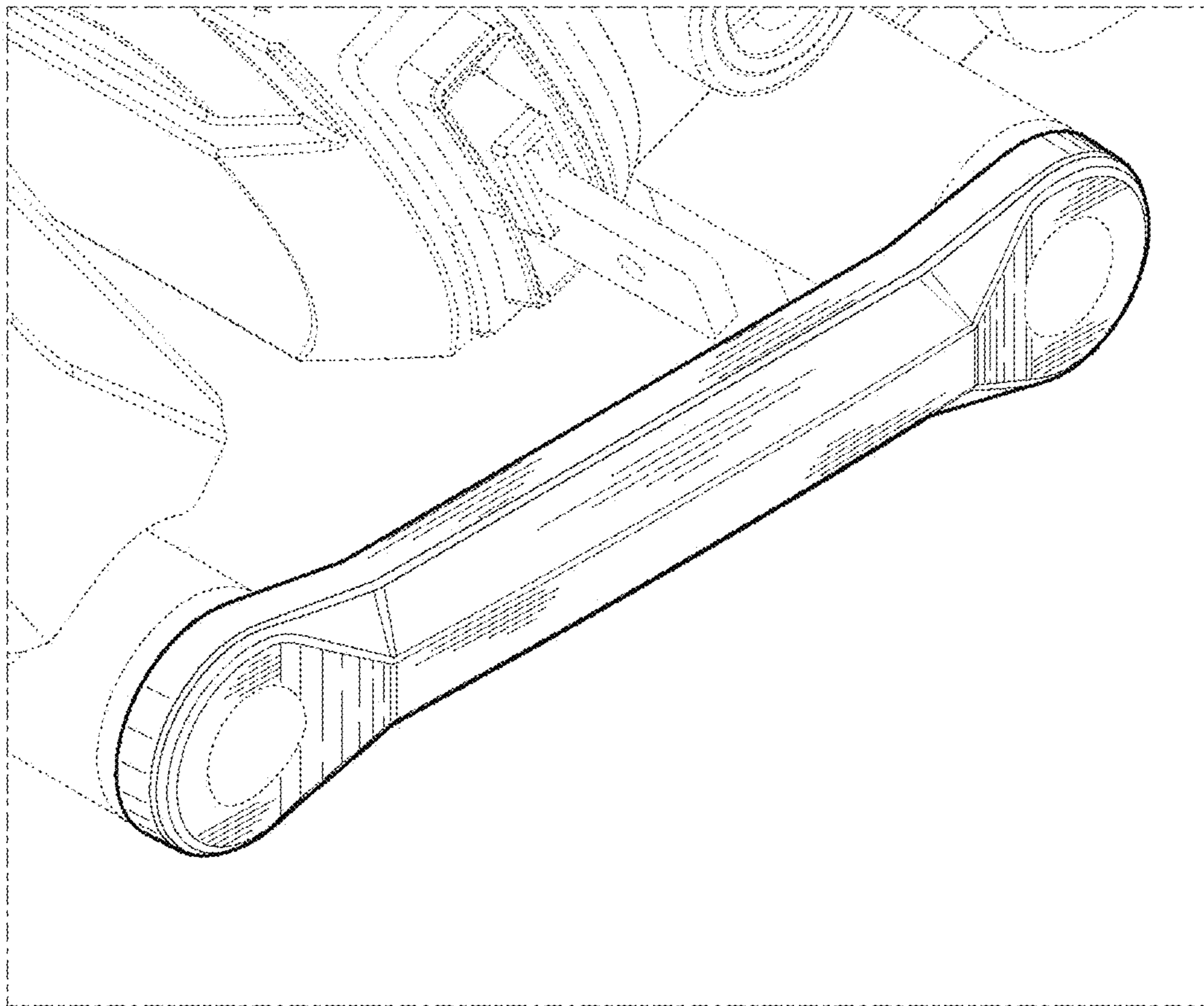


FIG. 9

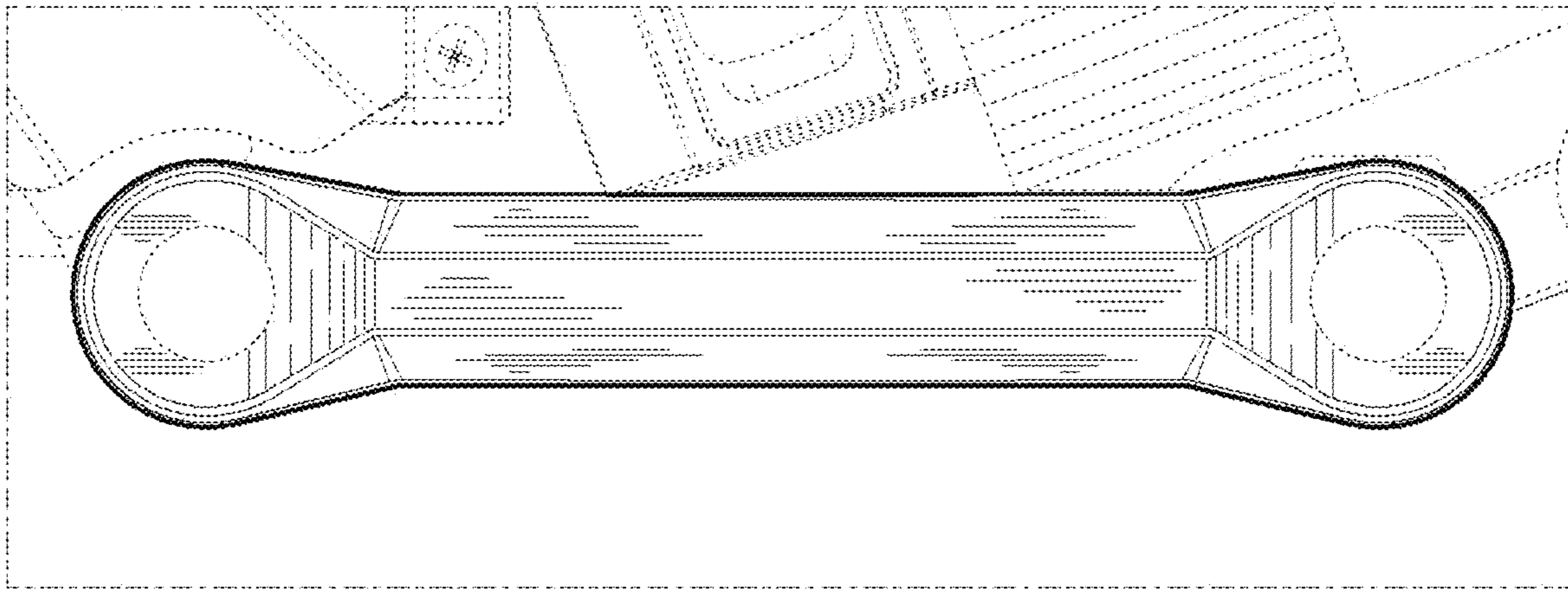


FIG. 10