



US00D891994S

(12) **United States Design Patent**  
**Cheng**

(10) **Patent No.:** **US D891,994 S**

(45) **Date of Patent:** **\*\* Aug. 4, 2020**

(54) **BABY WALKER**

(71) Applicant: **JIN SUN GEE PLASTICS CO., LTD.**, Tainan (TW)

(72) Inventor: **Chung-Jen Cheng**, Tainan (TW)

(73) Assignee: **JIN SUN GEE PLASTICS CO., LTD.**, Tainan (TW)

(\*\*) Term: **15 Years**

(21) Appl. No.: **29/676,594**

(22) Filed: **Jan. 11, 2019**

(51) **LOC (12) Cl.** ..... **12-12**

(52) **U.S. Cl.**  
USPC ..... **D12/130**

(58) **Field of Classification Search**  
USPC ..... D12/128–133  
CPC .... A47D 13/043; A47D 13/107; A47D 13/04;  
A47D 13/005; A47D 3/00  
See application file for complete search history.

(56) **References Cited**

**U.S. PATENT DOCUMENTS**

D445,143 S *	7/2001	Bellows	.....	D12/130
D451,052 S *	11/2001	Lu	.....	D12/130
D475,325 S *	6/2003	Wu	.....	D12/133
6,863,287 B2 *	3/2005	Myers	.....	A47D 13/043
				135/67
D587,764 S *	3/2009	Cheng	.....	D12/130
D612,302 S *	3/2010	Cheng	.....	D12/133
D627,009 S *	11/2010	Lu	.....	D12/130

D630,259 S *	1/2011	Lu	.....	D12/130
D679,337 S *	4/2013	Lai	.....	D12/133
D700,248 S *	2/2014	Proulx	.....	D21/425
D750,534 S *	3/2016	Lu	.....	D12/130
D765,557 S *	9/2016	Cheng	.....	D12/130
D771,524 S *	11/2016	Lu	.....	D12/130
9,610,211 B2 *	4/2017	Lai	.....	A61H 3/008
10,016,067 B2 *	7/2018	Burns	.....	A47D 13/043

\* cited by examiner

*Primary Examiner* — Charles D Hanson

(74) *Attorney, Agent, or Firm* — DLA Piper LLP (US)

(57) **CLAIM**

The ornamental design for a baby walker, as shown and described.

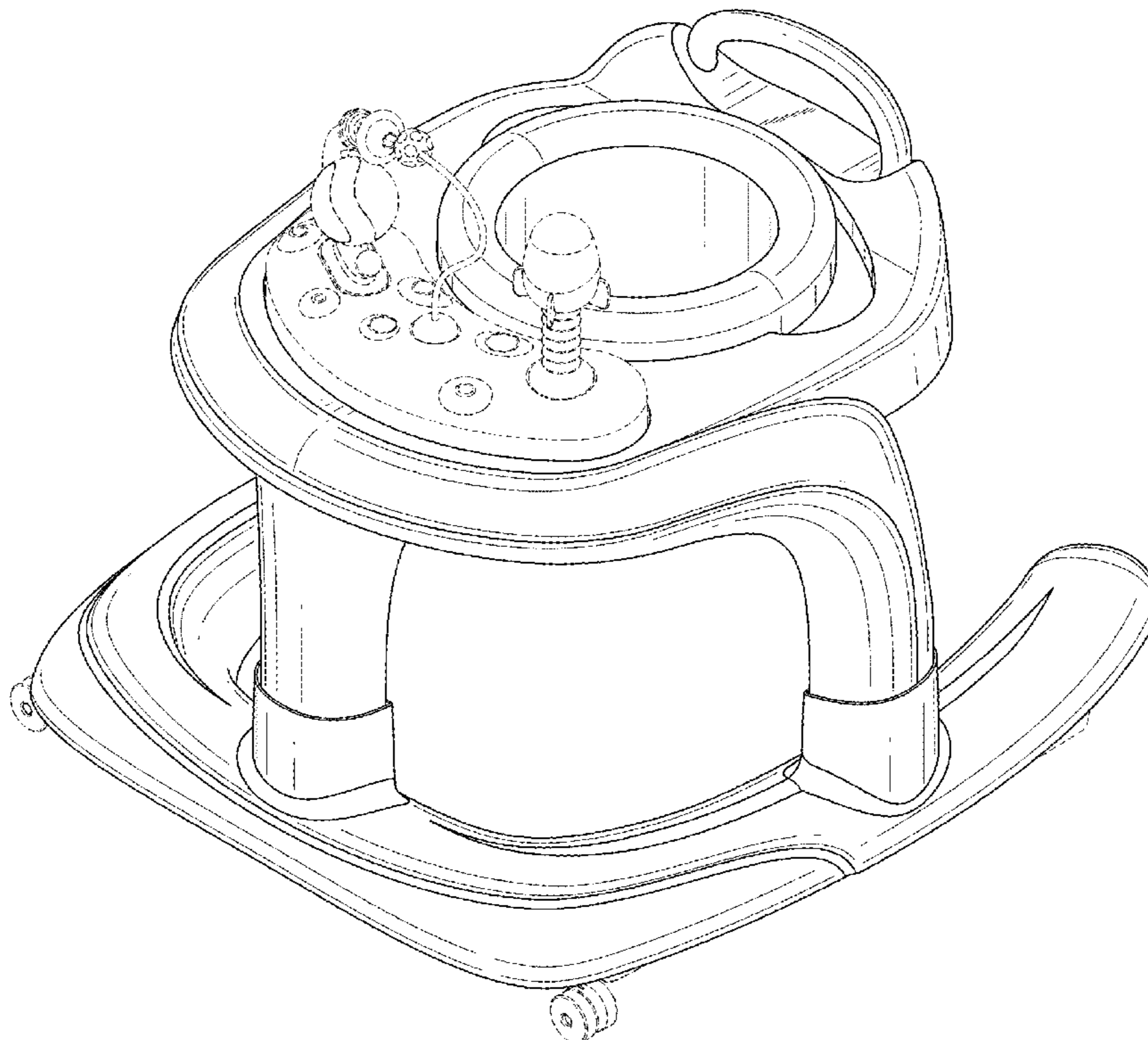
**DESCRIPTION**

FIG. 1 is a perspective view of a baby walker showing my new design;  
FIG. 2 is a front elevational view thereof;  
FIG. 3 is a rear elevational view thereof;  
FIG. 4 is a left side elevational view thereof;  
FIG. 5 is a right side elevational view thereof;  
FIG. 6 is a top plan view thereof; and,  
FIG. 7 is a view similar to FIG. 1, illustrating the baby walker in a different configuration.

The broken lines depict portions of a baby walker in which the design is embodied that form no part of the claimed design.

The bottom view contains no claimed design feature and is omitted.

**1 Claim, 7 Drawing Sheets**



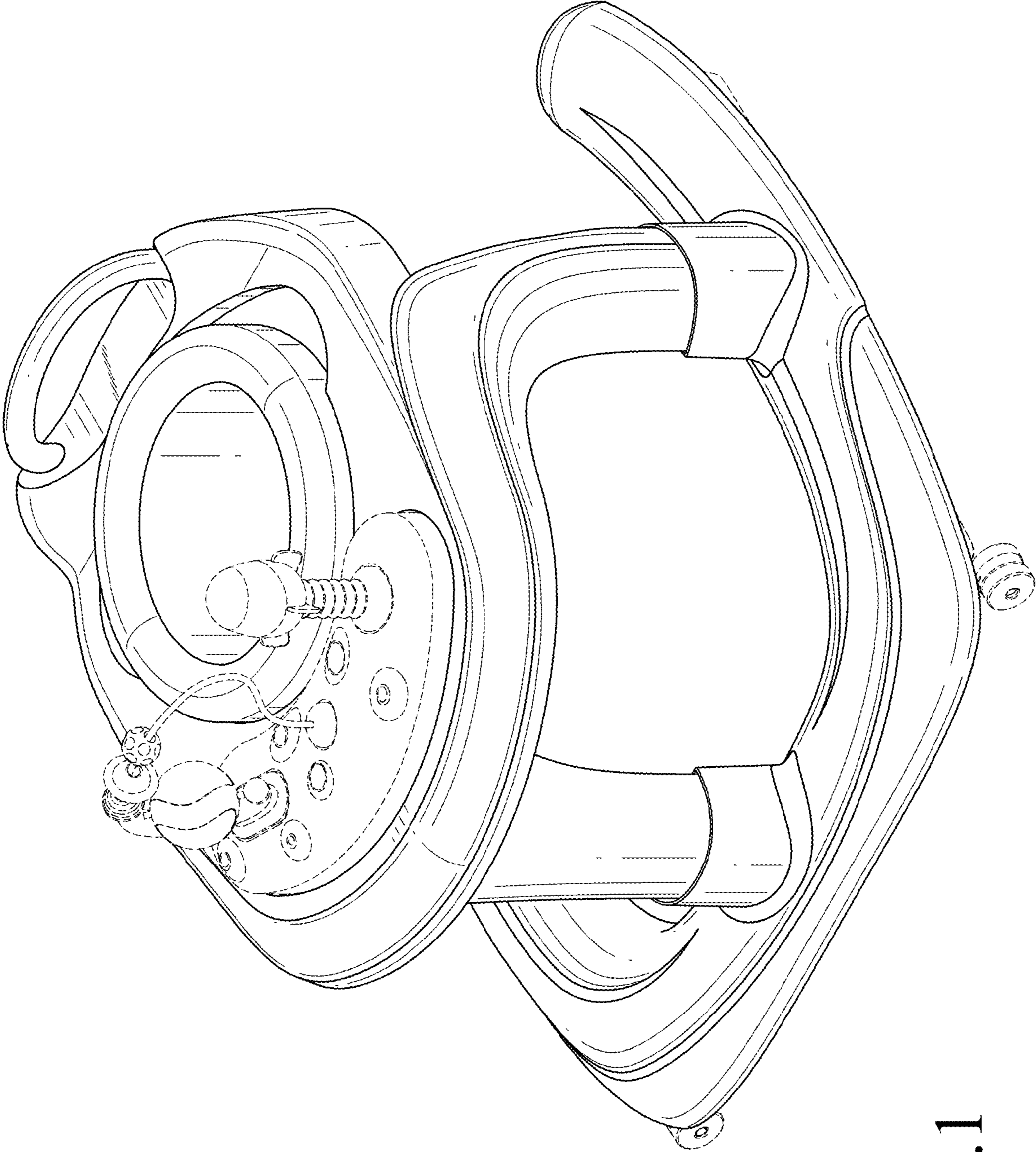


FIG. 1

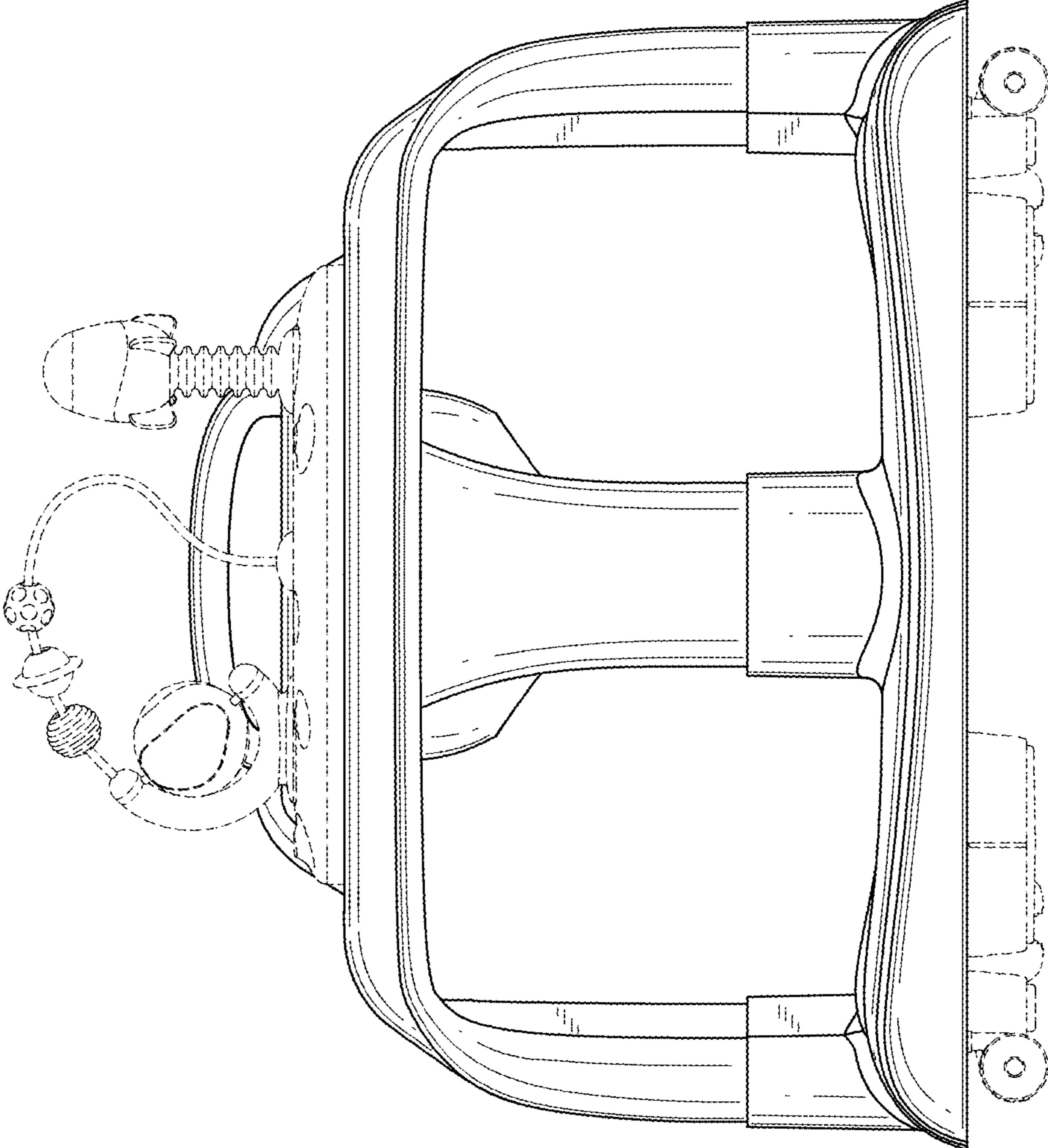


FIG. 2

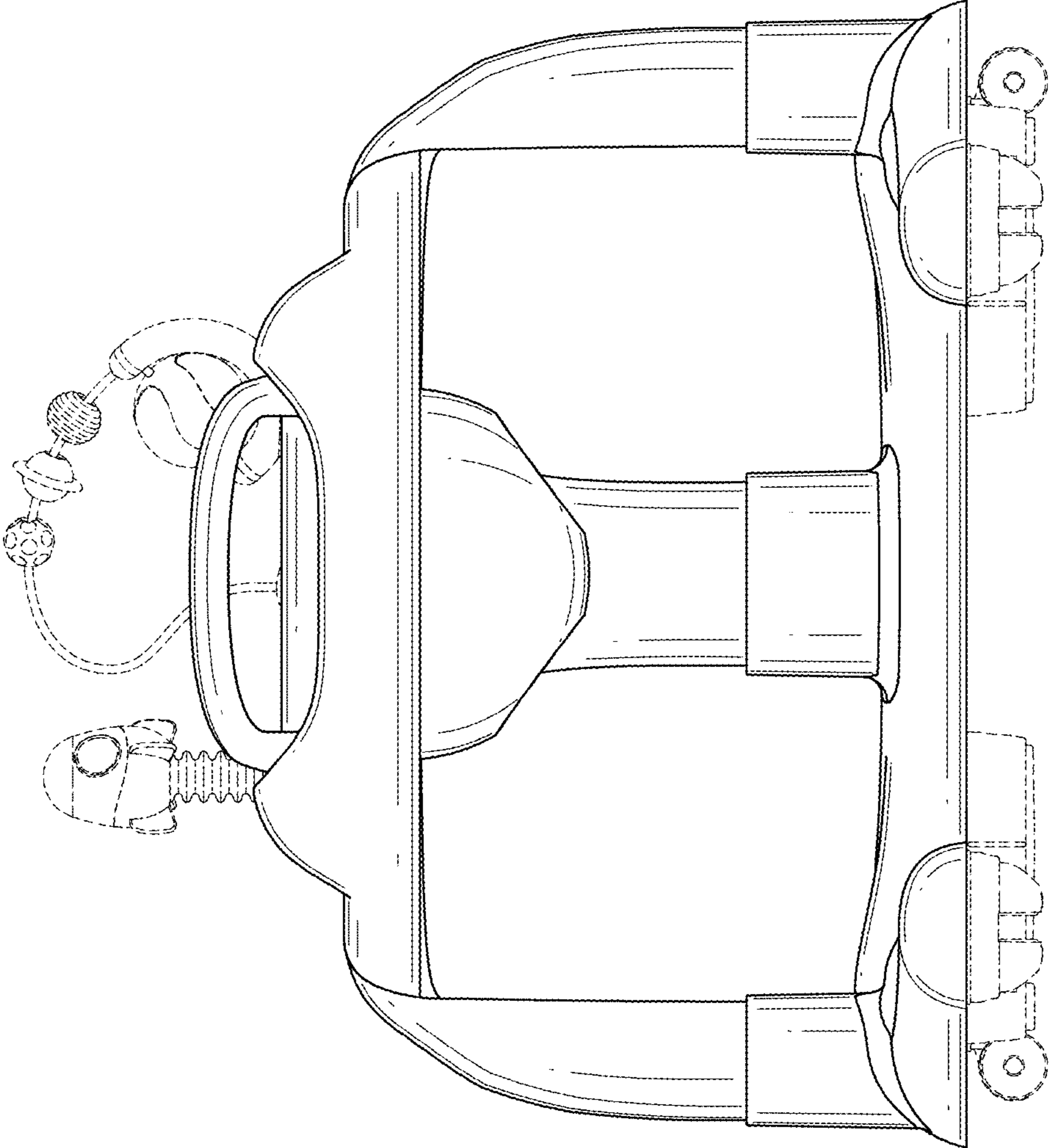


FIG.3

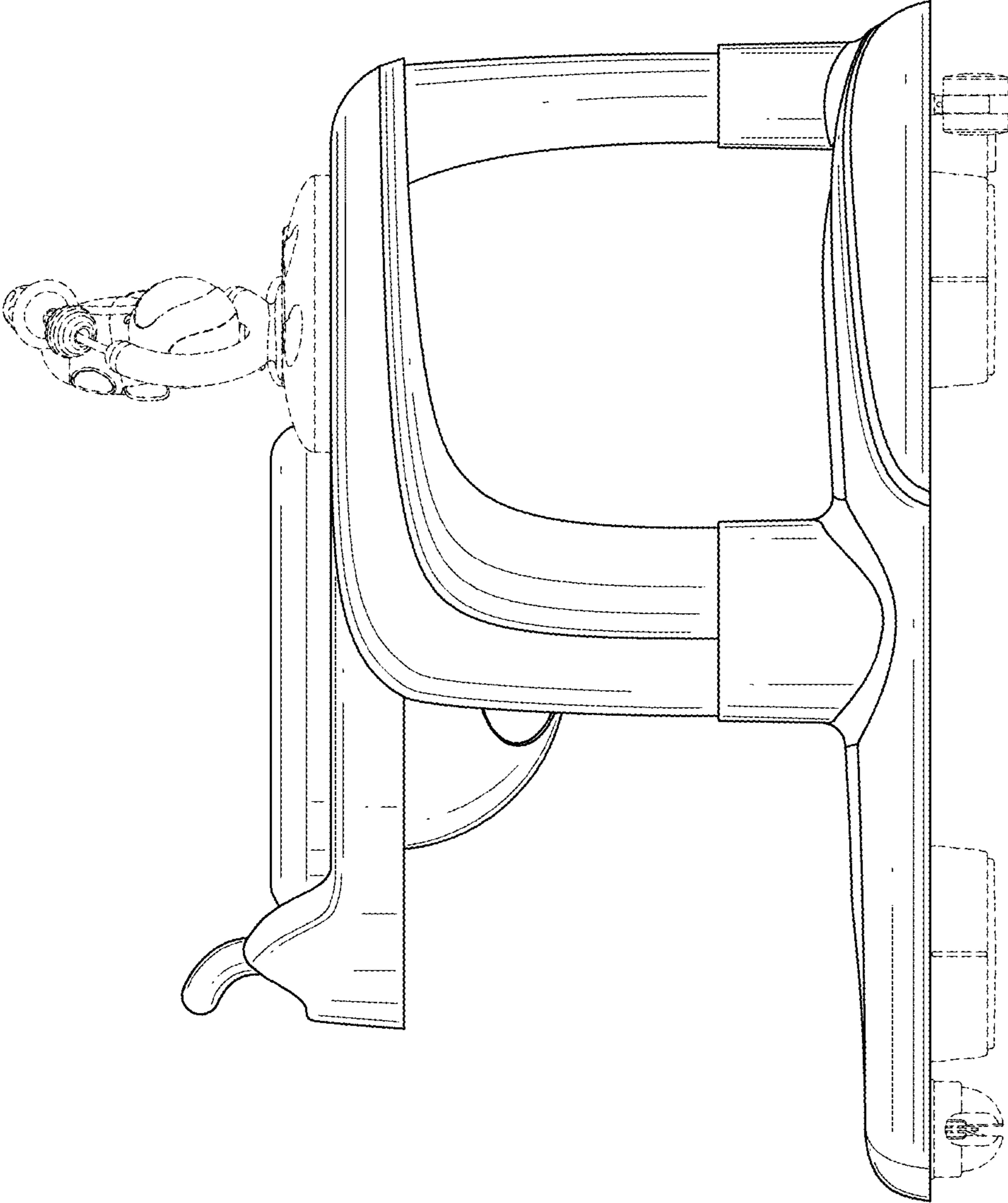


FIG. 4

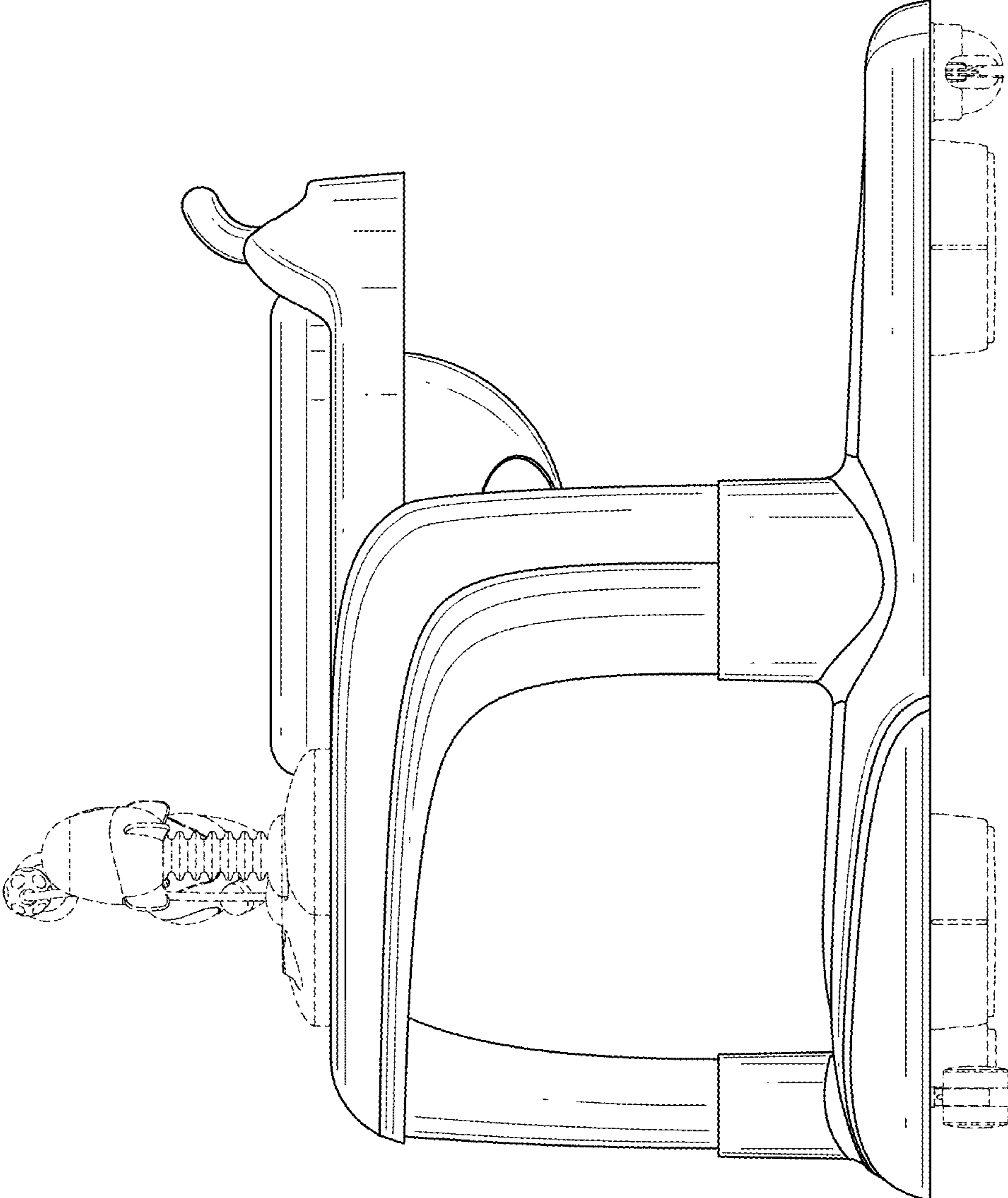


FIG.5

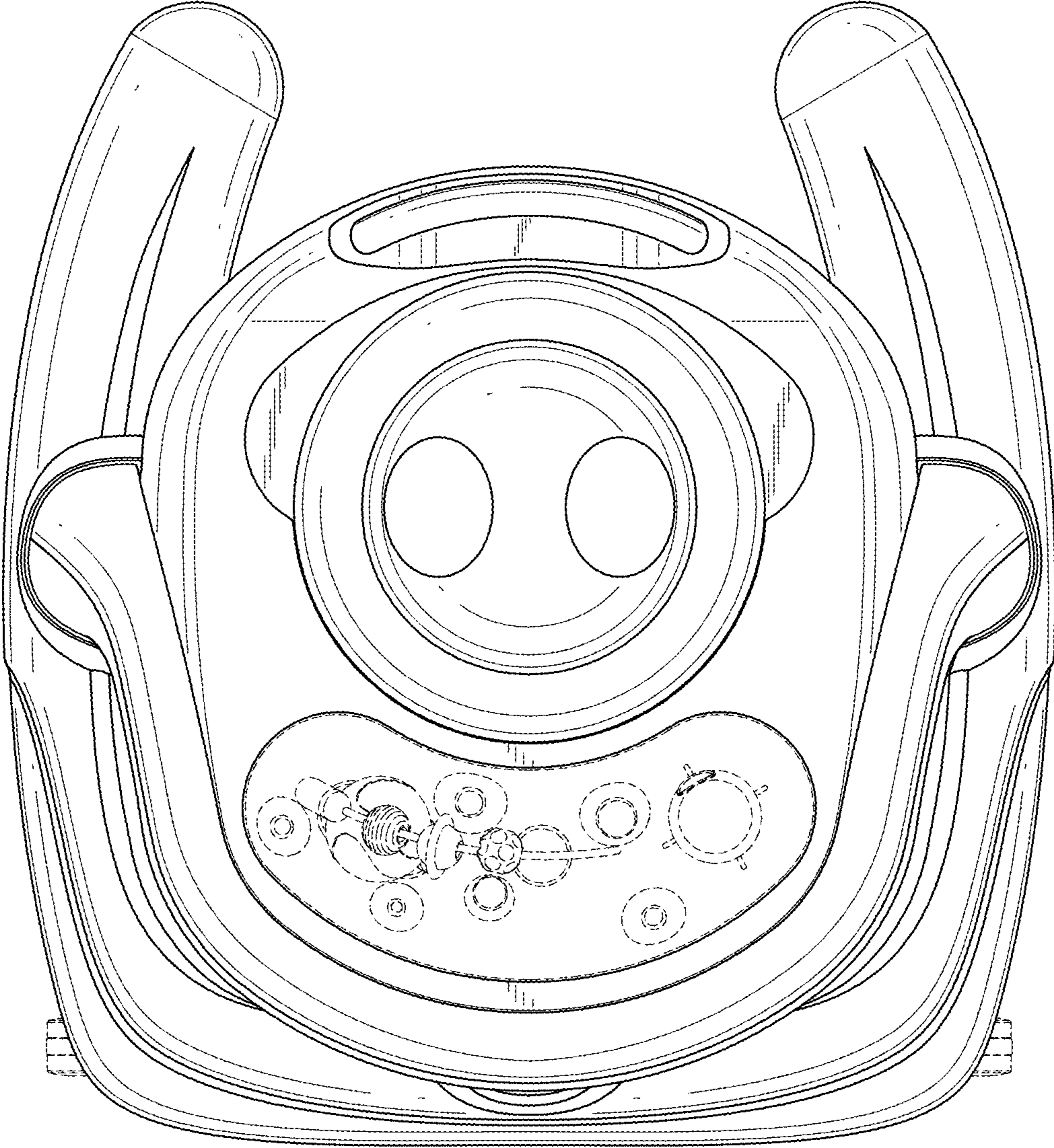


FIG.6

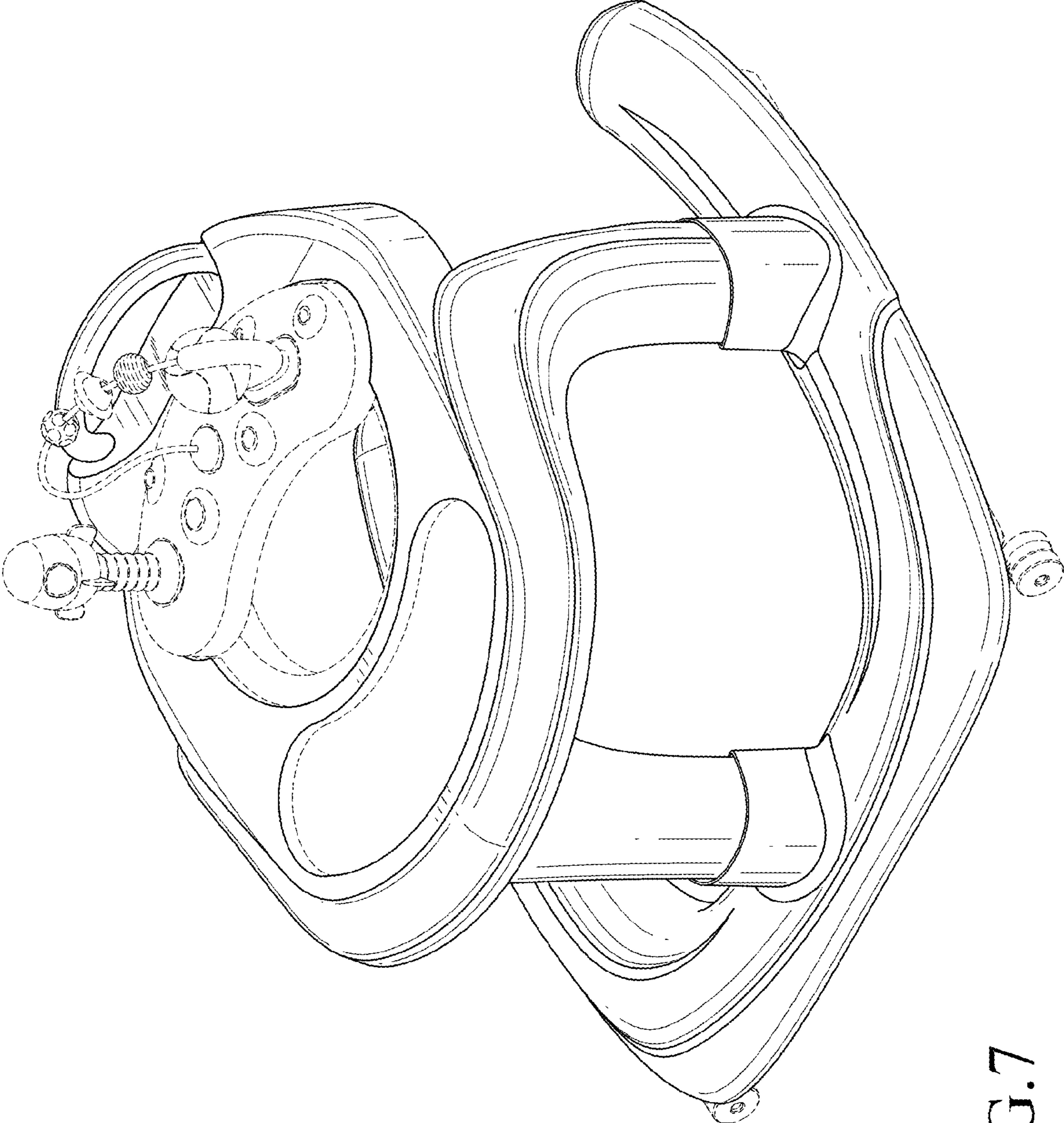


FIG. 7