



US00D891993S

(12) **United States Design Patent** (10) **Patent No.:** **US D891,993 S**
Altenhofen et al. (45) **Date of Patent:** **** Aug. 4, 2020**

(54) **STROLLER FOR CHILDREN**
(71) Applicant: **Gb GmbH**, Bayreuth (DE)
(72) Inventors: **Gabriel Altenhofen**, Bayreuth (DE);
Jan Hüttmann, Bayreuth (DE); **Ralf Holleis**, Bayreuth (DE)
(73) Assignee: **GB GmbH**, Bayreuth (DE)
(**) Term: **15 Years**
(21) Appl. No.: **35/506,631**
(22) Filed: **Aug. 17, 2018**
(80) **Hague Agreement Data**
Int. Filing Date: **Aug. 17, 2018**
Int. Reg. No.: **DM/200026**
Int. Reg. Date: **Aug. 17, 2018**
Int. Reg. Pub. Date: **Feb. 22, 2019**
(51) **LOC (12) Cl.** **12-12**
(52) **U.S. Cl.**
USPC **D12/129**
(58) **Field of Classification Search**
USPC D12/128-130
CPC B62B 7/00; B62B 7/04; B62B 7/06; B62B 7/062; B62B 9/00; B62B 9/02; B62B 9/04; B62B 9/08; B62B 9/10; B62B 9/12; B62B 9/14; B62B 9/16; B62B 9/18; B62B 9/20; B62B 9/22; B62B 9/24; B62B 9/26
See application file for complete search history.

(56) **References Cited**
U.S. PATENT DOCUMENTS
D429,184 S * 8/2000 Yang D12/129
D434,704 S * 12/2000 Huang D12/129

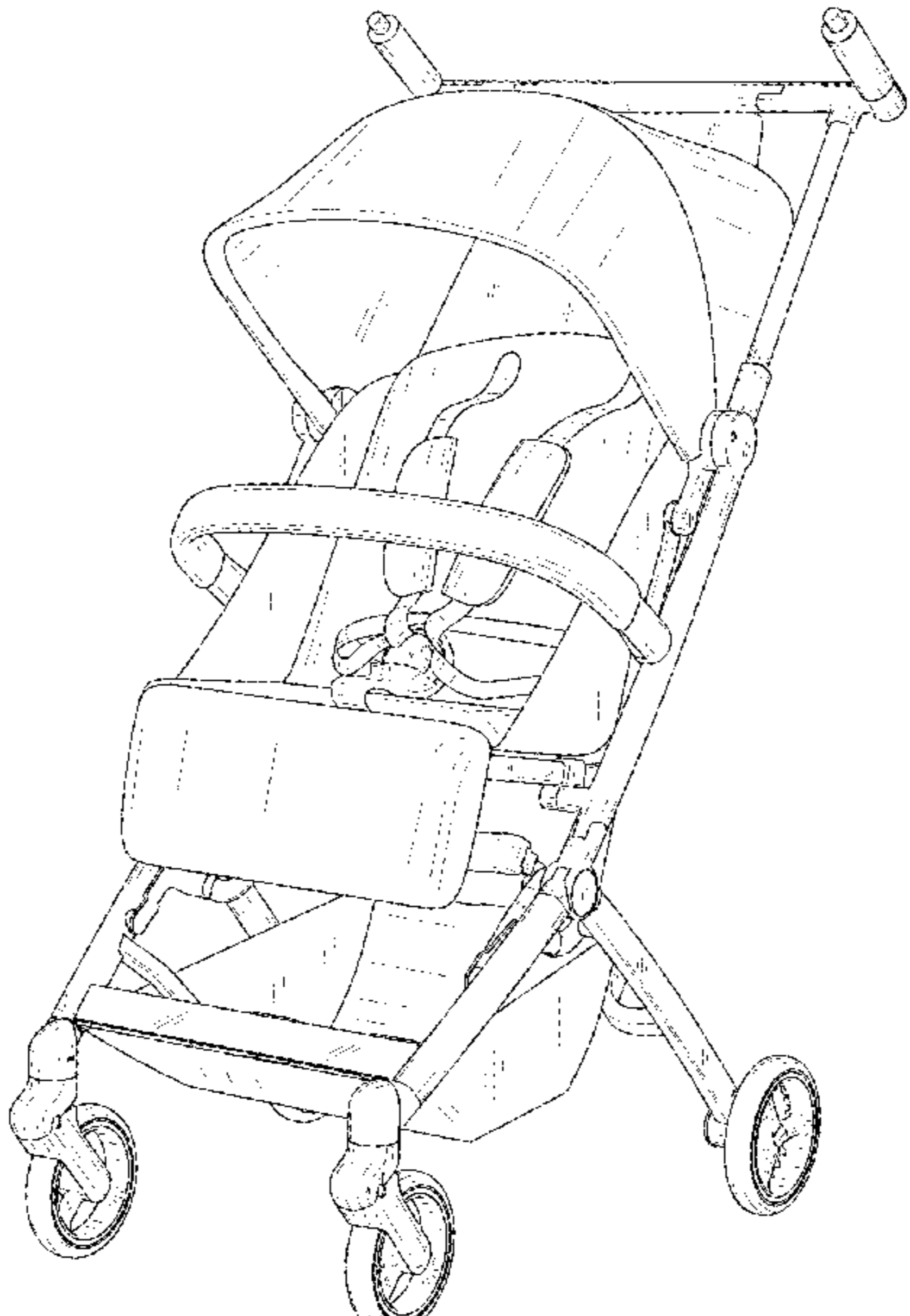
D450,265 S * 11/2001 Hsia D12/129
D463,330 S * 9/2002 Yang D12/129
D463,332 S * 9/2002 Wu D12/129
D484,441 S * 12/2003 Hsia D12/129
D486,428 S * 2/2004 Daykin D12/129
D486,429 S * 2/2004 Daykin D12/129
D519,421 S * 4/2006 Huang D12/129
D608,254 S * 1/2010 Grim D12/129
D641,293 S * 7/2011 Tsai D12/129
D648,659 S * 11/2011 Brevi D12/129
D654,406 S * 2/2012 Henry D12/129
D677,604 S * 3/2013 Ide D12/129
D677,605 S * 3/2013 Ide D12/129
D726,078 S * 4/2015 Liao D12/129
D743,848 S * 11/2015 Farmer D12/129
D789,252 S * 6/2017 Qiu D12/129
D789,253 S * 6/2017 Wang D12/129
D802,489 S * 11/2017 Stiba D12/129
9,981,678 B1 * 5/2018 Chen B62B 7/062
10,167,008 B1 * 1/2019 Yang B62B 7/086
10,279,831 B2 * 5/2019 Huang B62B 7/062

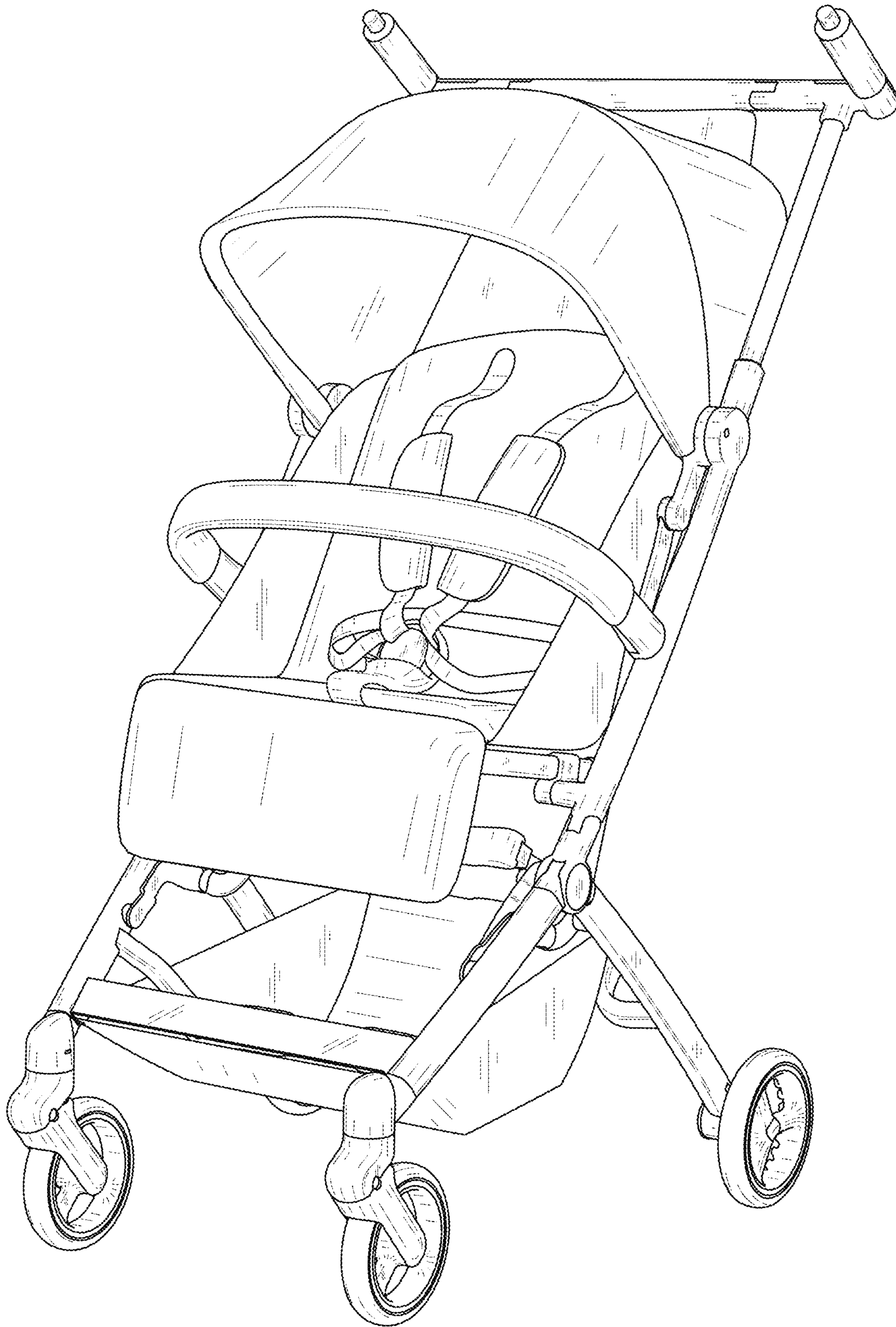
* cited by examiner
Primary Examiner — Darlington Ly
(74) *Attorney, Agent, or Firm* — Boyle Fredrickson, S.C.

(57) **CLAIM**
The ornamental design for a stroller for children, as shown and described.

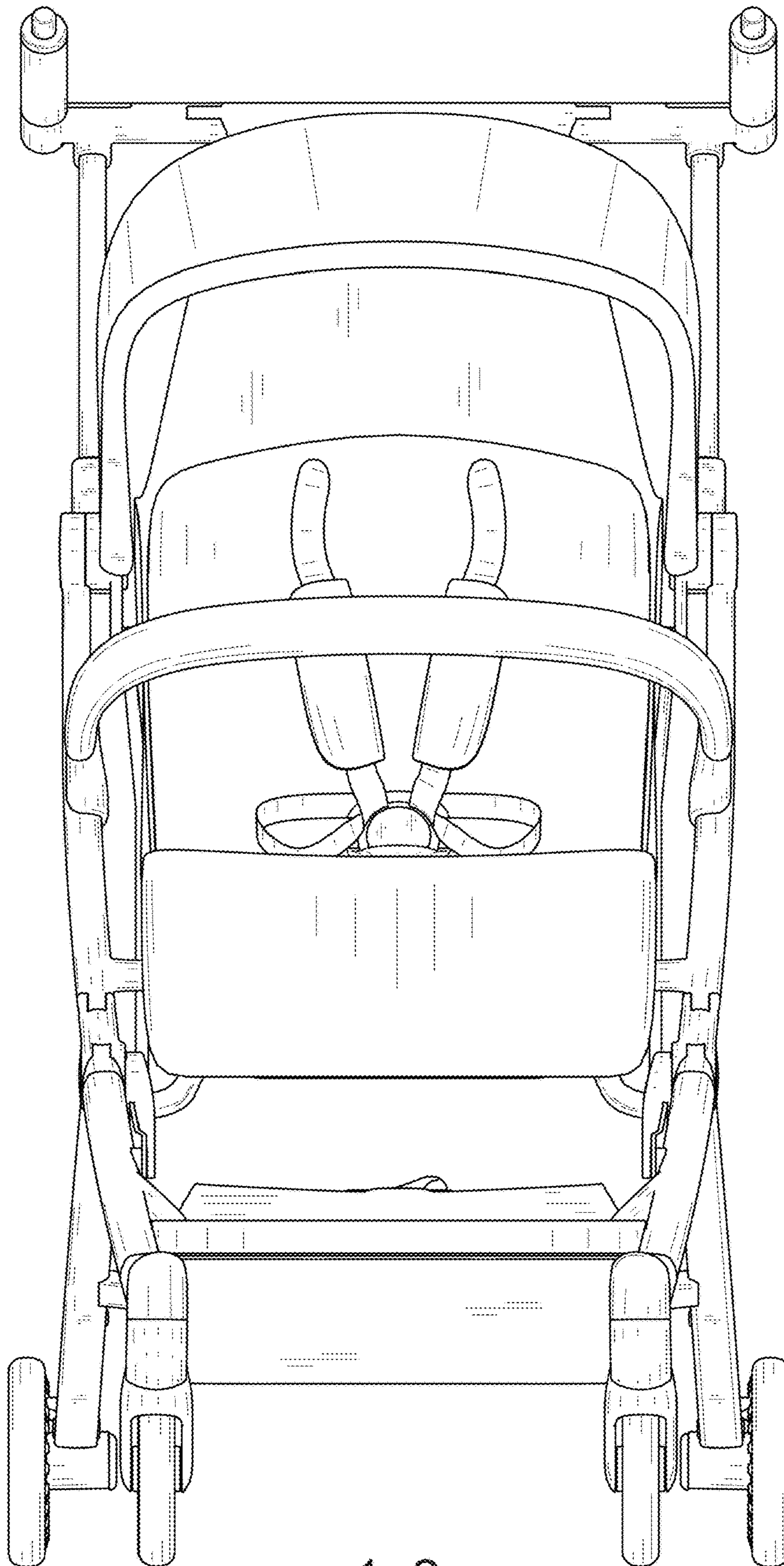
DESCRIPTION
1. Stroller for children
1.1 is a front, top, and left side perspective view of a stroller for children showing our new design;
1.2 is a front elevation view thereof;
1.3 is a rear elevation view thereof;
1.4 is a left side elevation view thereof;
1.5 is a right side elevation view thereof;
1.6 is a top plan view thereof; and
1.7 is a bottom plan view thereof.

1 Claim, 7 Drawing Sheets

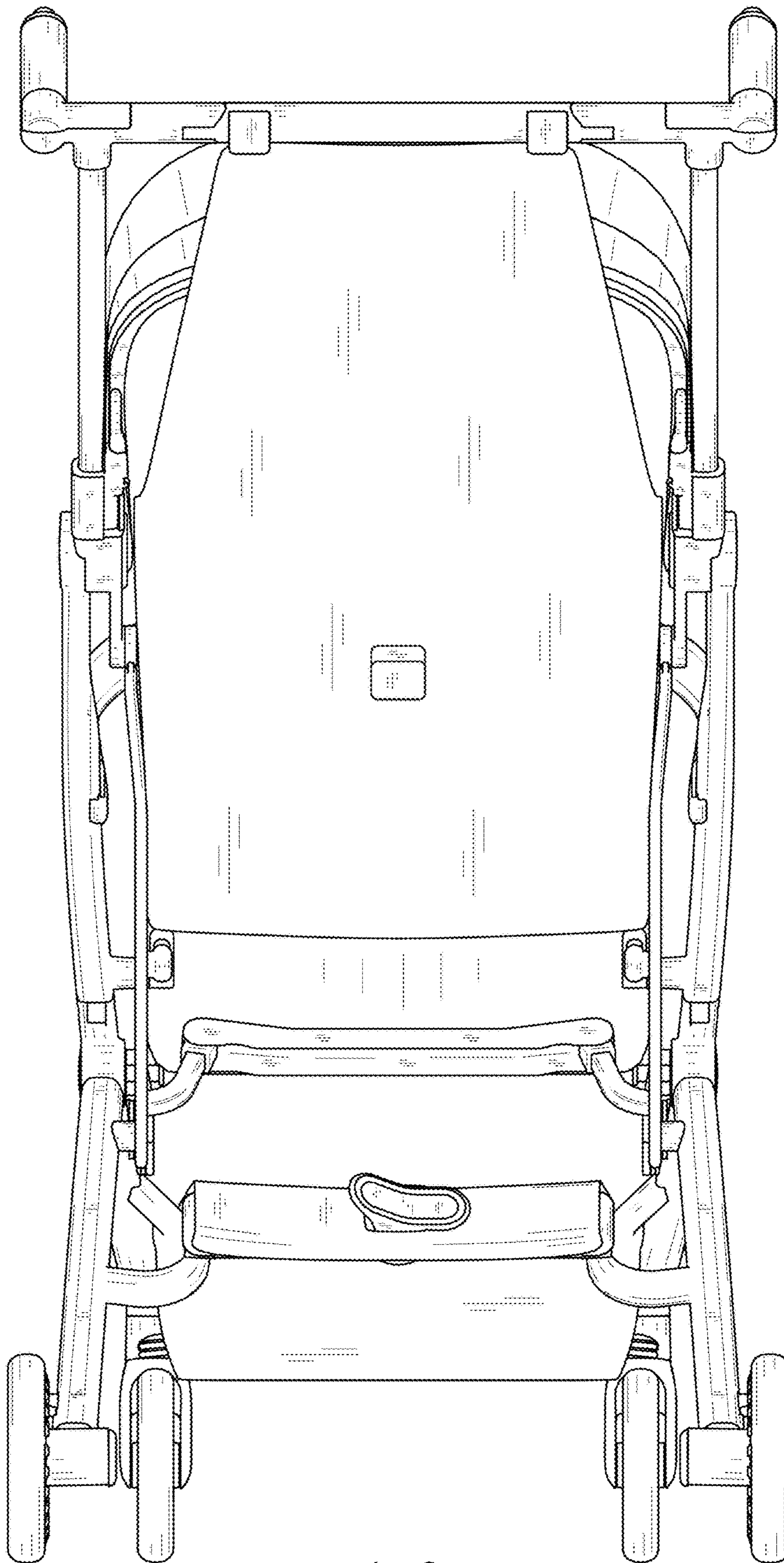




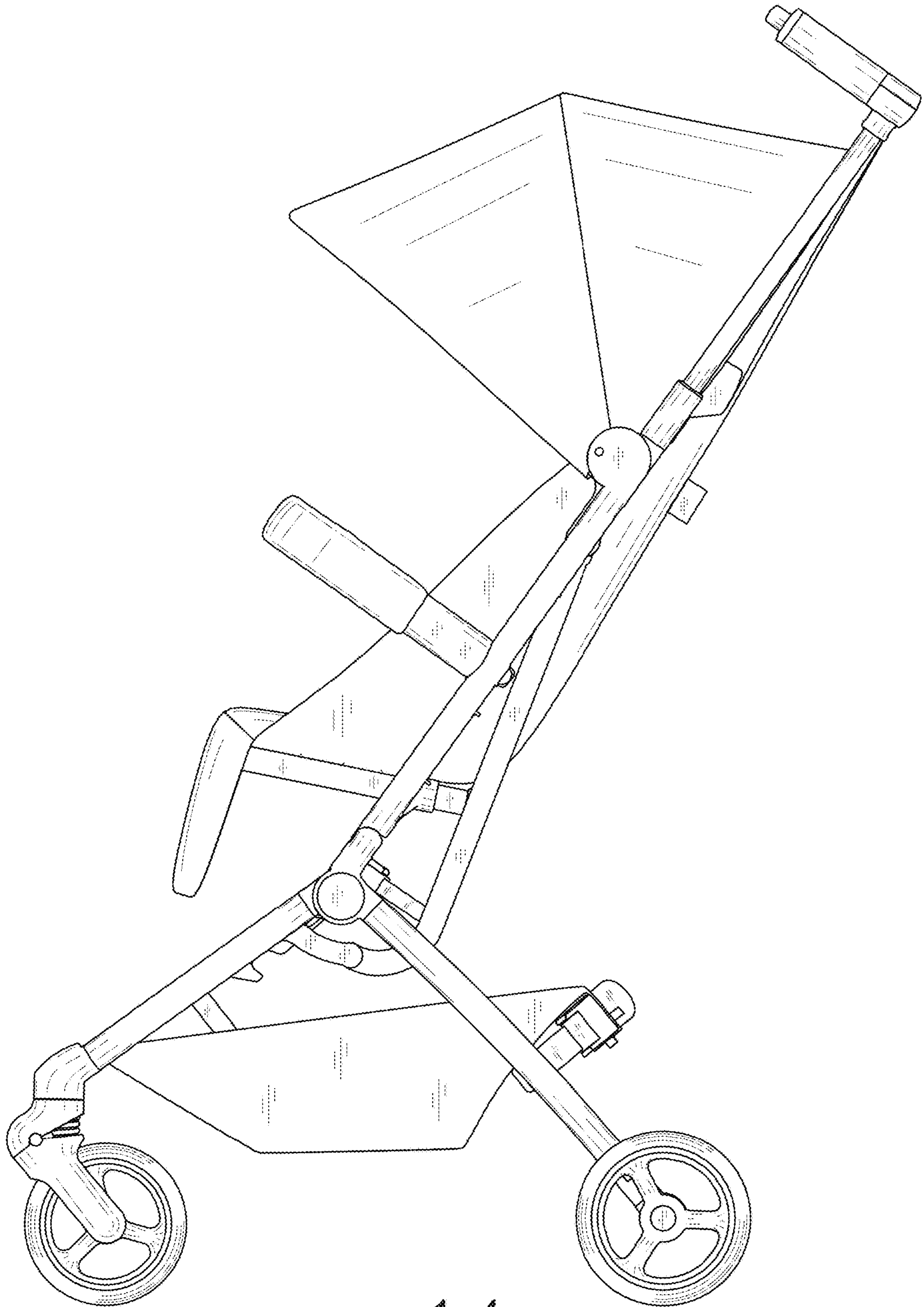
1. 1



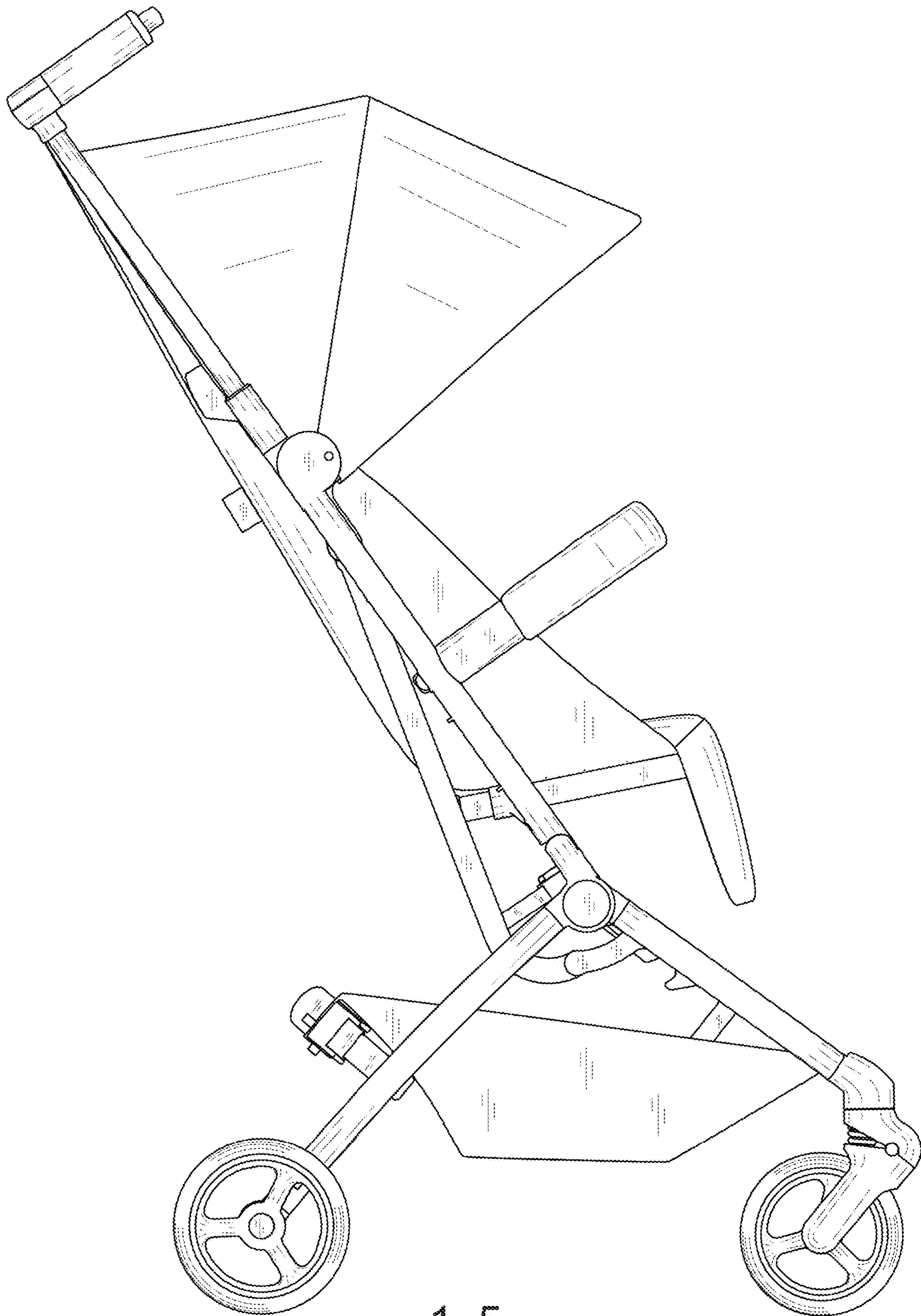
1. 2



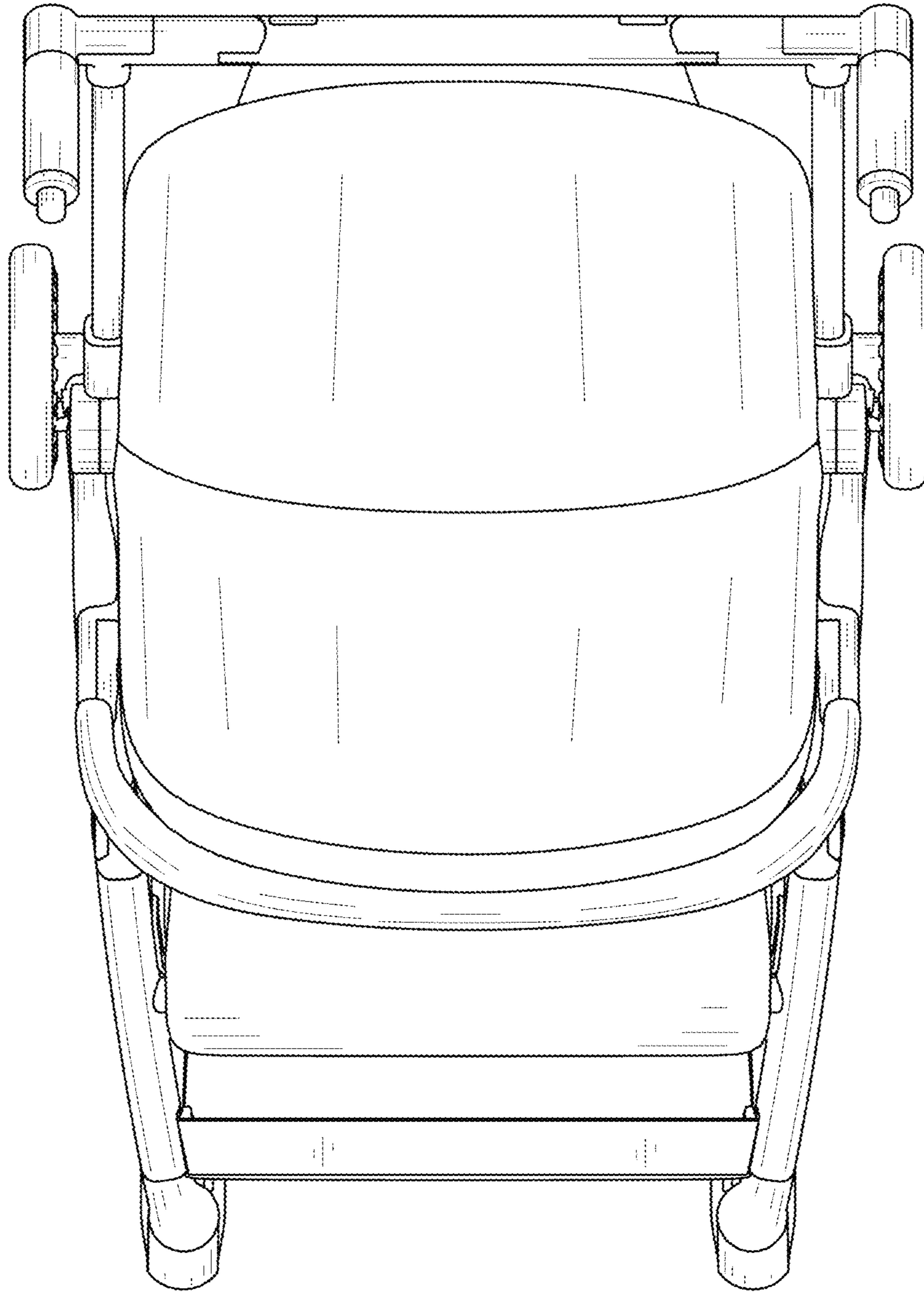
1. 3



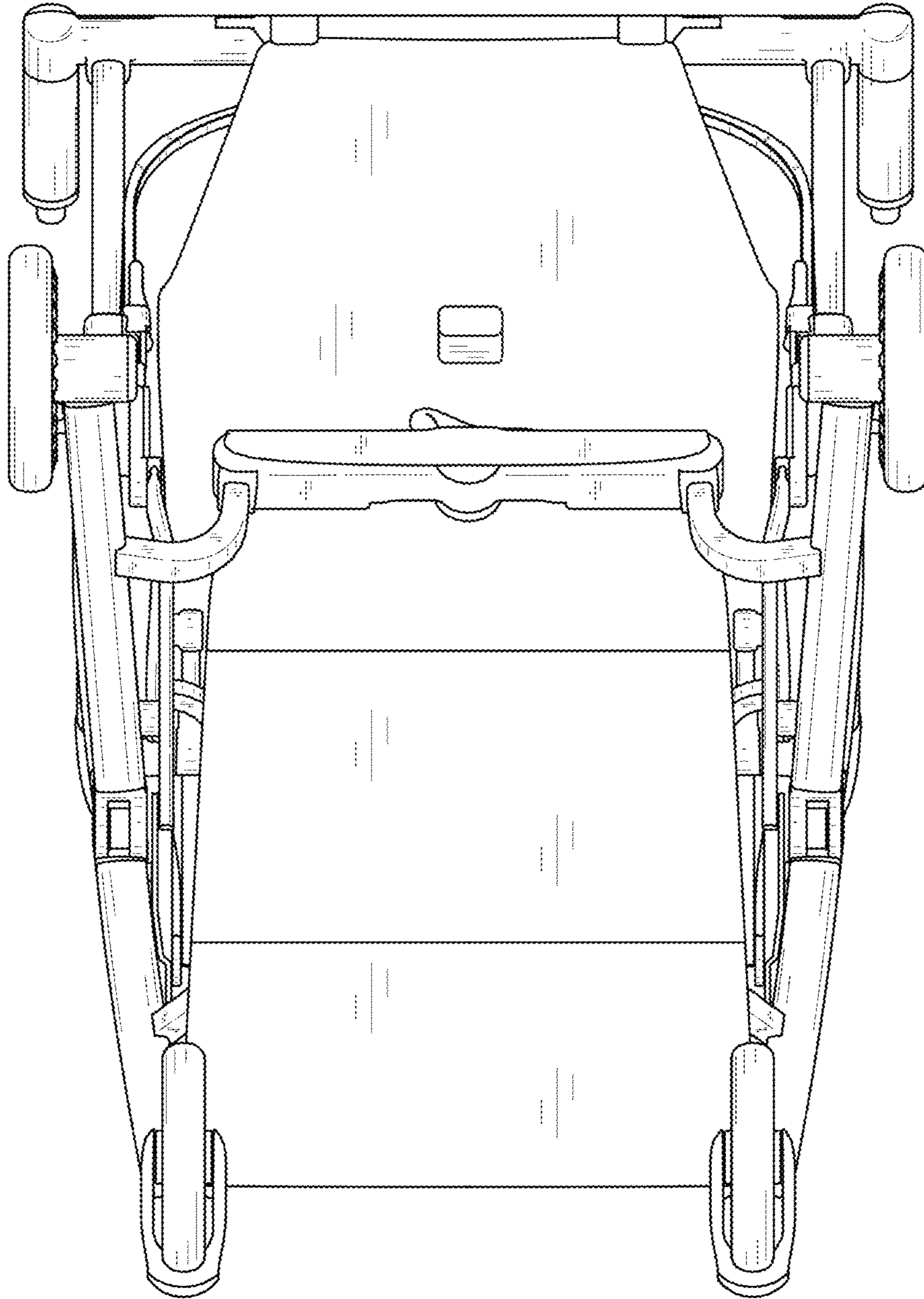
1.4



1.5



1.6



1.7