



US00D891991S

(12) **United States Design Patent** (10) **Patent No.:** **US D891,991 S**
Sonderegger et al. (45) **Date of Patent:** **** Aug. 4, 2020**

(54) **ELECTRONIC DEVICE**

(71) Applicant: **SPECIALIZED BICYCLE COMPONENTS, INC.**, Morgan Hill, CA (US)
(72) Inventors: **Marco Sonderegger**, Brenzenschwil (CH); **Jan Talavasek**, Knonau (CH); **Tero Jakku**, Bonstetten (CH); **Vincent Patureau**, Zürich (CH); **Marc Pallure**, Zug (CH); **Jonas Reiter**, Zug (CH)
(73) Assignee: **SPECIALIZED BICYCLE COMPONENTS, INC.**, Morgan Hill, CA (US)

(**) Term: **15 Years**

(21) Appl. No.: **29/654,958**

(22) Filed: **Jun. 28, 2018**

(51) **LOC (12) Cl.** **12-11**

(52) **U.S. Cl.**
USPC **D12/114**

(58) **Field of Classification Search**
USPC D12/114, 111, 178, 187, 188, 189, 400, D12/415; D10/98, 80; D14/447, 443, D14/432
CPC B62J 2099/002; B62J 2099/004; B62J 2099/0033; B62J 11/00; B62J 99/00; B62K 19/40; A45C 2011/002
See application file for complete search history.

(56) **References Cited**

U.S. PATENT DOCUMENTS

5,178,033 A 1/1993 Kund
5,798,702 A 8/1998 Okamoto et al.
(Continued)

FOREIGN PATENT DOCUMENTS

DE 202015002905 5/2015
EP 3281855 2/2018
(Continued)

OTHER PUBLICATIONS

Amazon, ArcEnCiel Water Resistant Front Top Tube Pannier Bike Frame Storage Bag Mobile Phone Holder ≤5.7" Screen, <https://www.amazon.com/ArcEnCiel-Resistant-Pannier-Storage-Mobile/dp/B01ALIEWBS>, accessed on Apr. 12, 2018, in 2 pages.

(Continued)

Primary Examiner — Michelle E. Wilson

Assistant Examiner — Clese Moore, Jr.

(74) *Attorney, Agent, or Firm* — Knobbe, Martens, Olson & Bear LLP

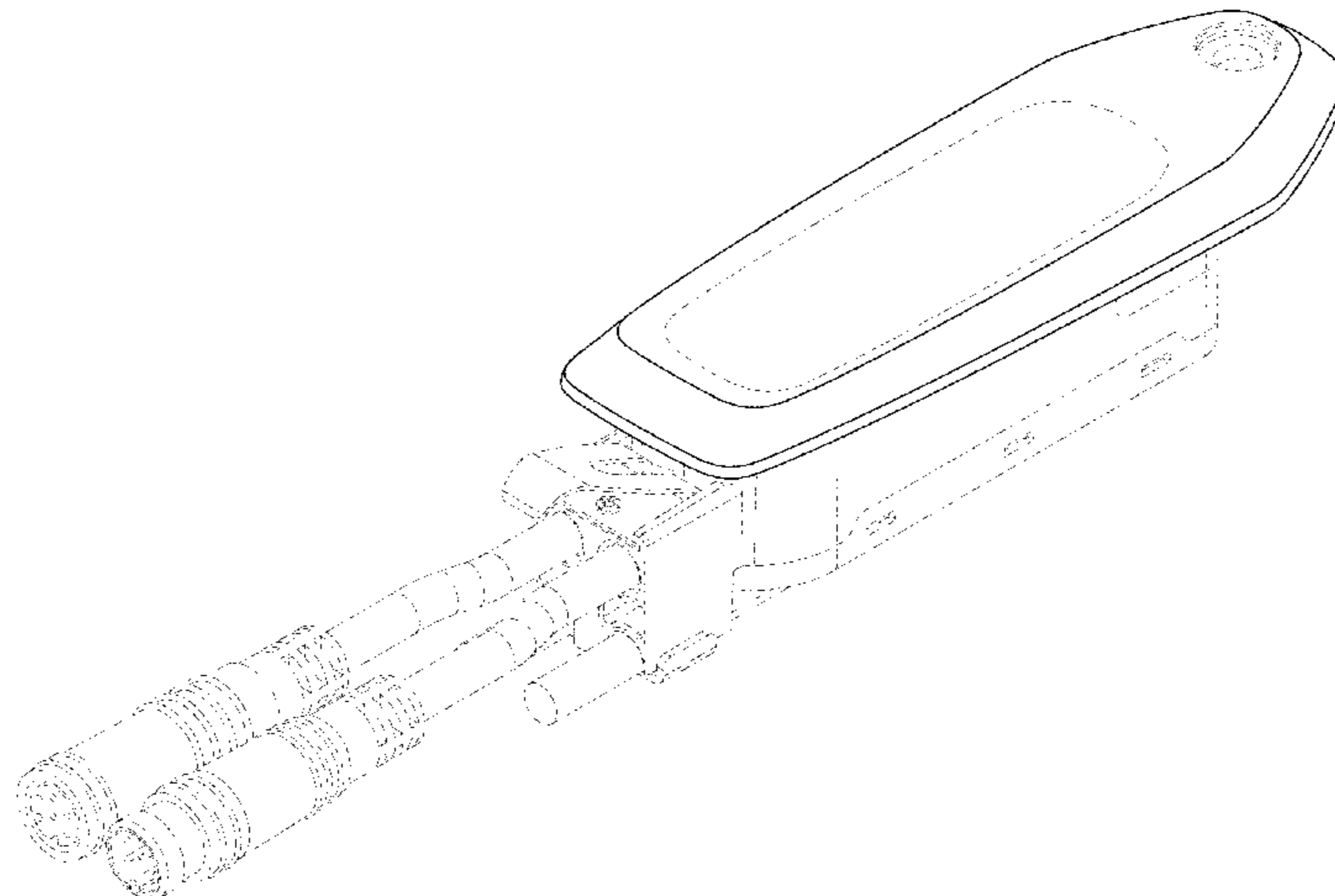
(57) **CLAIM**

The ornamental design for an electronic device, as shown and described.

DESCRIPTION

FIG. 1 is a top, front, and left-side perspective view of an embodiment of the electronic device;
FIG. 2 is a bottom, rear, and right-side perspective view of the electronic device of FIG. 1;
FIG. 3 is a rear elevational view of the electronic device of FIG. 1;
FIG. 4 is a front elevational view of the electronic device of FIG. 1;
FIG. 5 is a left-side elevational view of the electronic device of FIG. 1;
FIG. 6 is a right-side elevational view of the electronic device of FIG. 1;
FIG. 7 is a top plan view of the electronic device of FIG. 1; and,
FIG. 8 is a bottom plan view of the electronic device of FIG. 1.
The broken lines shown illustrate portions of the electronic device that form no part of the claimed design.

1 Claim, 8 Drawing Sheets



(56)

References Cited

U.S. PATENT DOCUMENTS

6,305,241 B1 * 10/2001 Masui B62J 11/00
224/420
D472,834 S * 4/2003 Ueda D10/98
D499,973 S * 12/2004 Okuda D10/98
D499,974 S * 12/2004 Okuda D10/98
D522,394 S * 6/2006 Okuda D10/98
D553,528 S * 10/2007 Ueda D10/98
D554,014 S * 10/2007 Ueda D10/98
D637,508 S * 5/2011 Ueda D10/98
D640,608 S * 6/2011 Funabiki D12/114
D645,371 S * 9/2011 Ueda D10/98
D665,685 S * 8/2012 Okuda D10/65
8,305,742 B2 11/2012 Onnela et al.
D674,322 S * 1/2013 Hilgart D12/114
8,364,389 B2 1/2013 Dorogusker et al.
D680,890 S * 4/2013 Ueda D10/98
8,531,072 B2 9/2013 Wishart
D704,583 S * 5/2014 Ueda D10/98
D711,755 S * 8/2014 Dasbach D10/70
D727,768 S * 4/2015 Nagano D10/98
D743,824 S * 11/2015 Lumme D10/70
D759,522 S * 6/2016 Ueda D10/98
9,359,036 B2 6/2016 Thompson
D772,746 S * 11/2016 Henne D10/70
D777,591 S * 1/2017 Haapakoski D10/98
D810,733 S * 2/2018 Kwak D14/344
10,086,708 B2 10/2018 Ichida
10,093,379 B2 10/2018 Hines
2012/0049483 A1 3/2012 Dodman

2012/0083956 A1 4/2012 Aoki
2016/0039496 A1 2/2016 Hancock et al.
2017/0043829 A1 2/2017 Li
2017/0327173 A1 11/2017 Cooper
2018/0029658 A1* 2/2018 Boundy B62J 99/00
2018/0281896 A1 10/2018 Takeshita

FOREIGN PATENT DOCUMENTS

EP 3296190 3/2018
JP H08-268361 10/1996
JP 2003116226 4/2003

OTHER PUBLICATIONS

BESV JS1 Features, <http://www.besv.com/products/js1>, accessed on Apr. 16, 2018, in 8 pages.
BikeRadar, Trail Tech: Garmin Mounts for Mountain Bikers, <https://www.bikeradar.com/us/mtb/gear/article/trail-tech-garmin-mounts-for-mountain-bikers-40528>, dated Mar. 26, 2014, in 6 pages.
Stromer, Operating Manual, Version 3.0, dated Dec. 2016, in 38 pages.
YouTube, KT-LCD3 Display is a MUST Have accessory for the Sondors Ebike, <https://www.youtube.com/watch?v=dE3WcpC5IWE>, accessed on Apr. 12, 2018, in 1 page.
Orbea Blue Papers Gain Technical Manual, dated Feb. 2018 (Applicant reserves right to challenge date of public availability), in 34 pages.

* cited by examiner

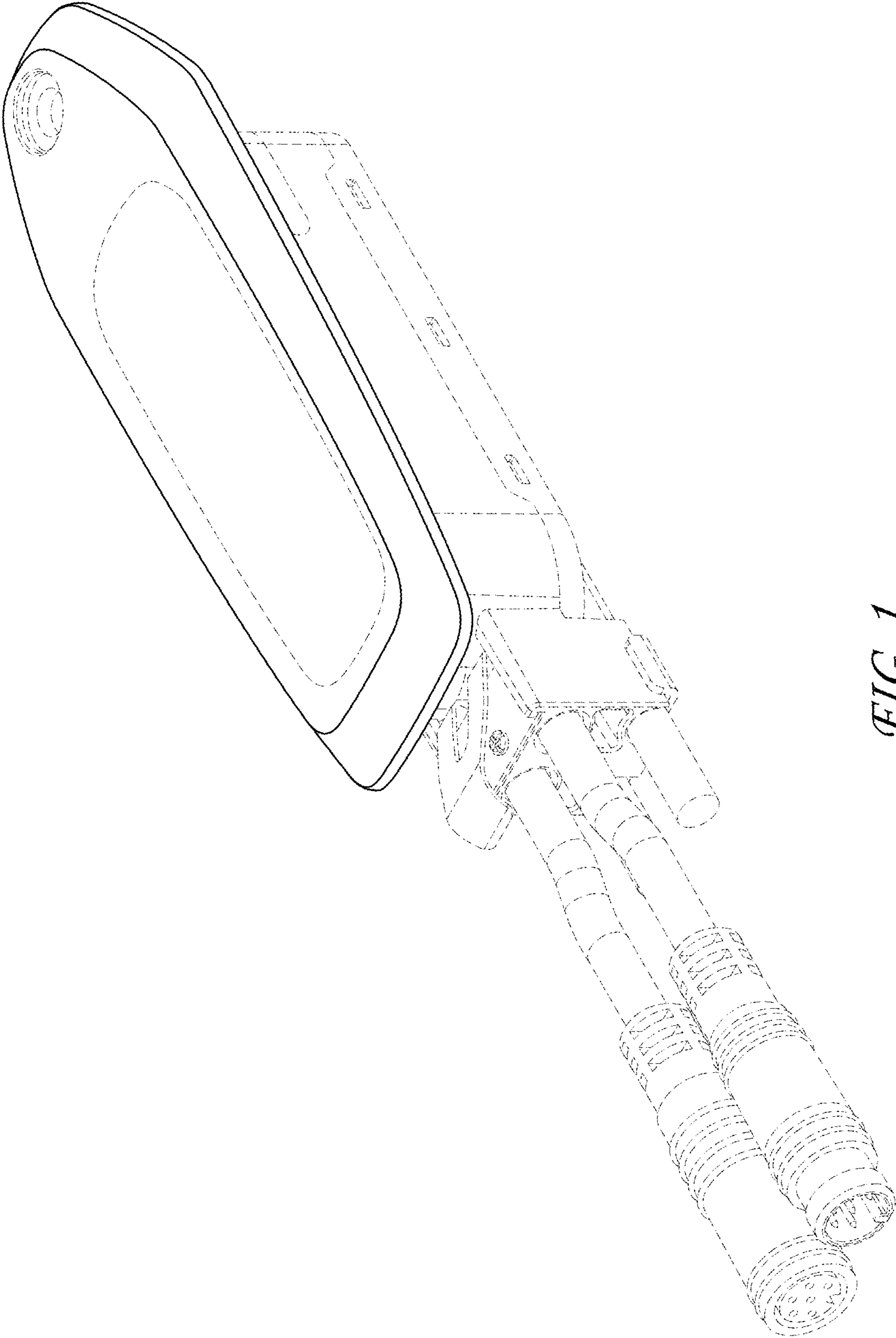


FIG. 1

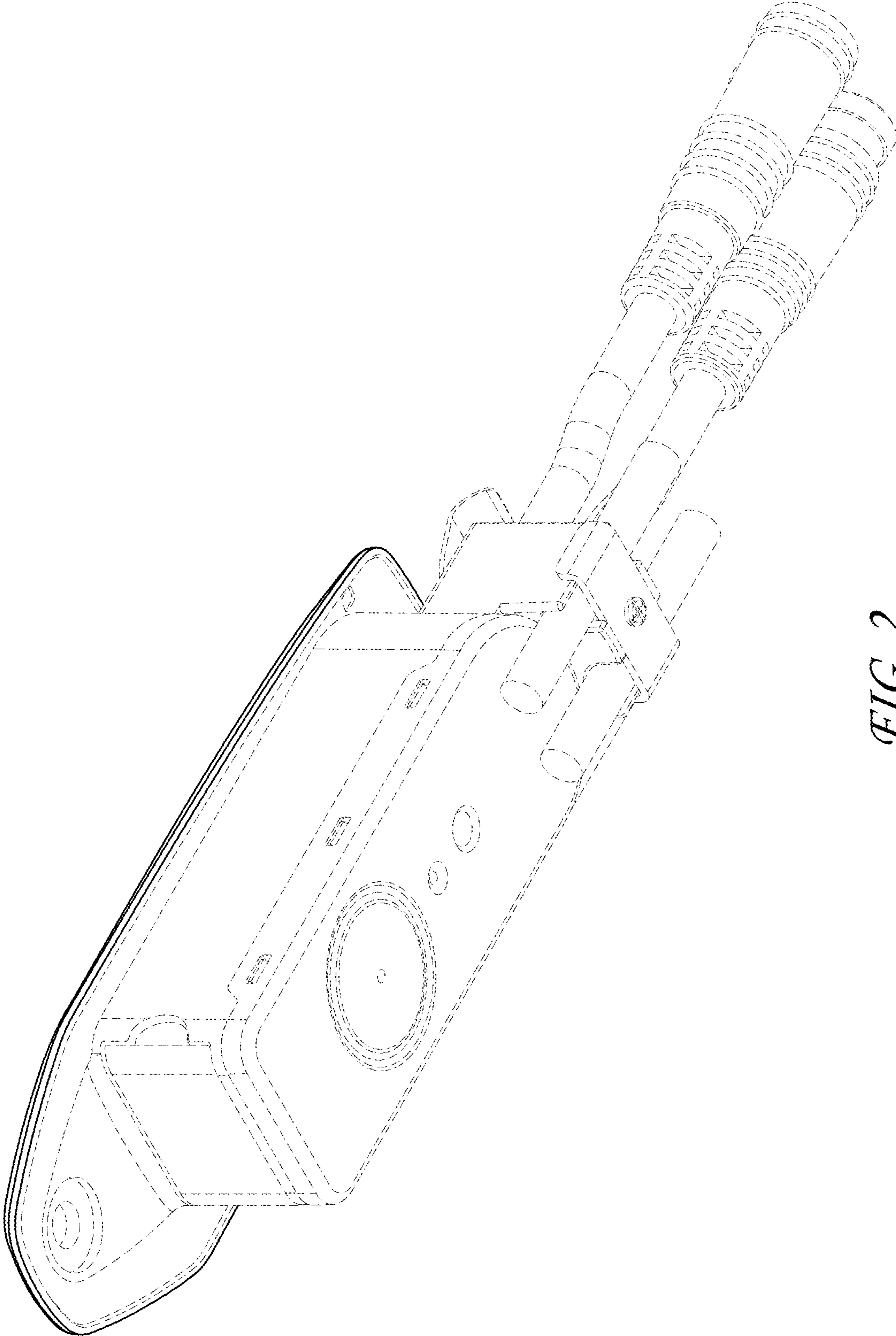


FIG. 2

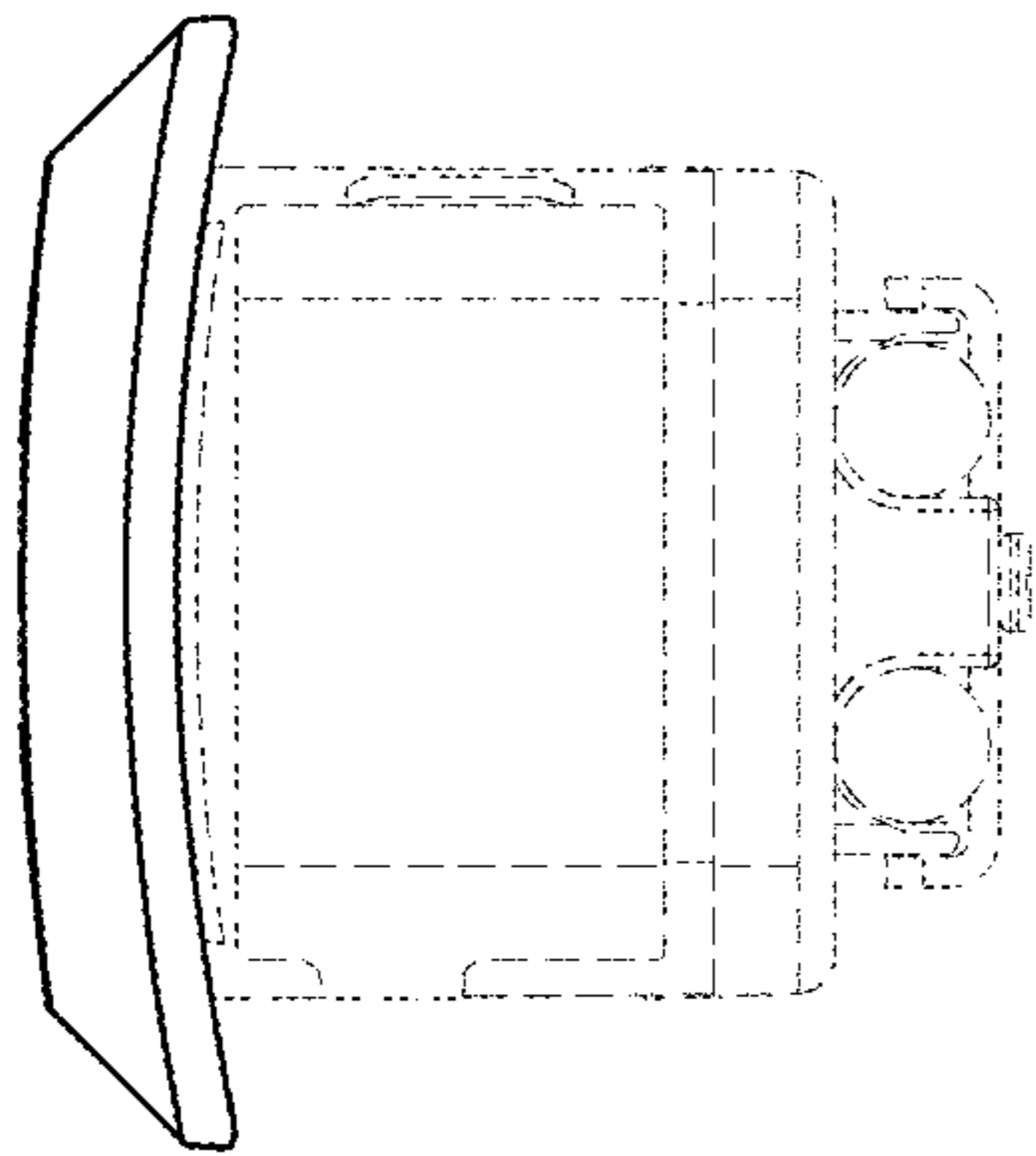


FIG. 3

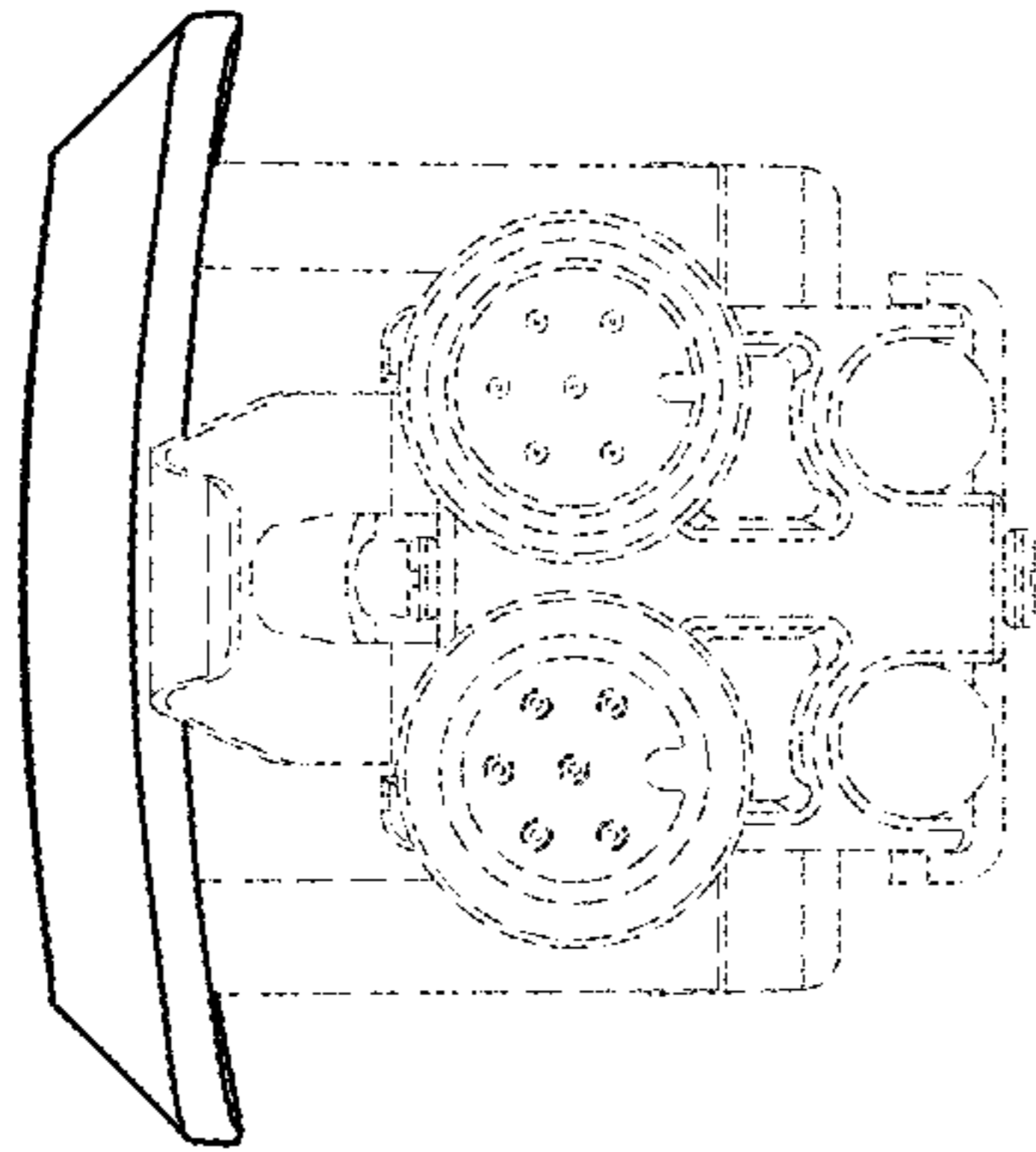


FIG. 4

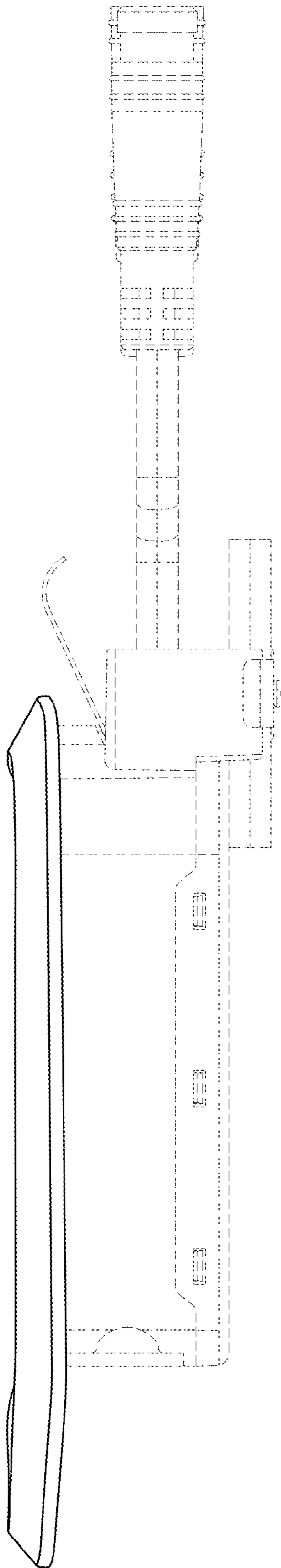


FIG. 5

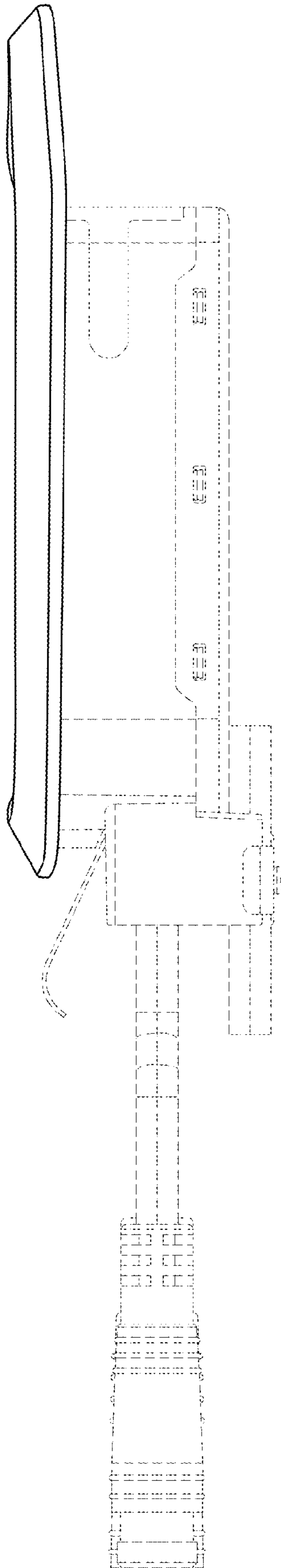


FIG. 6

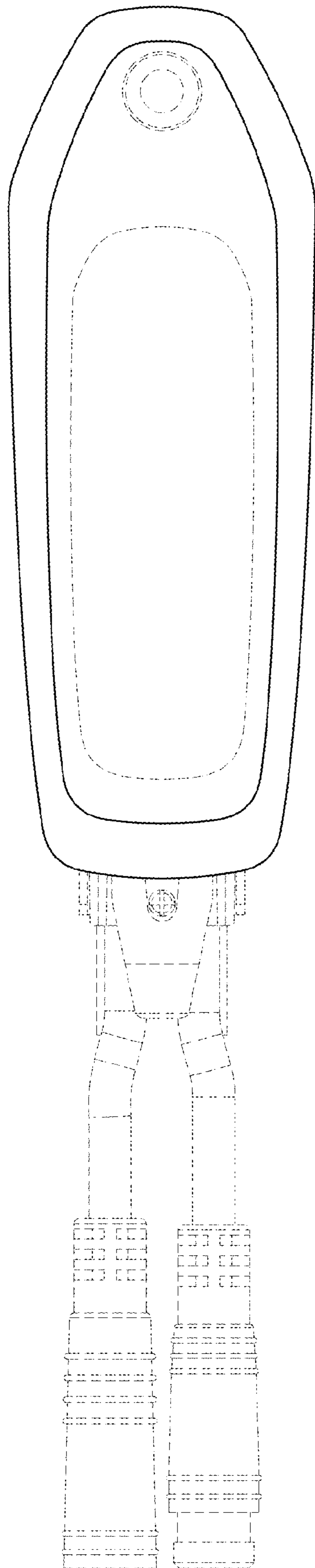


FIG. 7

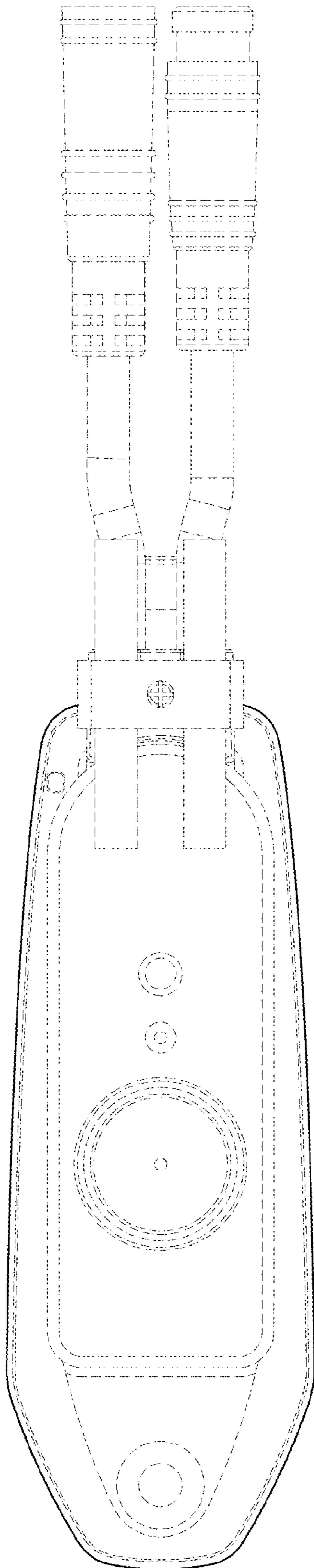


FIG. 8