



US00D891990S

(12) **United States Design Patent** (10) **Patent No.:** **US D891,990 S**
Fujiwara et al. (45) **Date of Patent:** **** Aug. 4, 2020**

(54) **PLAY FACILITY FOR INTELLECTUAL TRAINING**

(71) Applicant: **HONDA MOTOR CO., LTD.**, Tokyo (JP)

(72) Inventors: **Nami Fujiwara**, Wako (JP); **Asagi Mori**, Wako (JP)

(73) Assignee: **HONDA MOTOR CO., LTD.**, Tokyo (JP)

(**) Term: **15 Years**

(21) Appl. No.: **29/649,793**

(22) Filed: **Jun. 1, 2018**

(30) **Foreign Application Priority Data**

Dec. 11, 2017 (JP) 2017-027607

(51) **LOC (12) Cl.** **12-08**

(52) **U.S. Cl.**
USPC **D12/93**

(58) **Field of Classification Search**
USPC D12/86, 90, 91, 92, 190, 193, 195, 196, D12/400, 414, 93; D21/419, 421, 423, D21/424-426, 433-434, 548, 549, 550, D21/552, 559, 561, 811-833
CPC A63H 17/26; A63H 17/262; A63H 17/264; A63H 17/266; A63H 17/36; A63H 17/38; A63H 29/00; A63H 29/22; A63H 29/24; B62D 25/00; B62D 35/00; B62D 25/06; B62D 33/00; G09B 9/04; G09B 9/048; G09B 9/05
See application file for complete search history.

(56) **References Cited**

U.S. PATENT DOCUMENTS

3,936,955 A * 2/1976 Gruen G09B 9/048 434/63
4,214,381 A * 7/1980 Clark G09B 9/04 434/67

D376,186 S * 12/1996 Penney D21/814
D382,620 S * 8/1997 Callan D21/833
D414,762 S * 10/1999 Gibbs D21/814
D430,256 S * 8/2000 Addleman D21/833
D440,621 S * 4/2001 Coleman D21/811
D531,252 S * 10/2006 Auberger A47D 13/086 D21/814
D563,500 S * 3/2008 Gong D21/816
9,418,568 B2 * 8/2016 Welles G09B 9/05
D828,223 S * 9/2018 Piscitelli D12/91
D832,145 S * 10/2018 Yamada D12/91
D836,027 S * 12/2018 Bollinger D12/91
D836,487 S * 12/2018 Bollinger D12/91
D840,270 S * 2/2019 Goodrich D12/91

(Continued)

Primary Examiner — Manpreet S Matharu
Assistant Examiner — Yolanda Robinson
(74) *Attorney, Agent, or Firm* — Westerman, Hattori, Daniels & Adrian, LLP

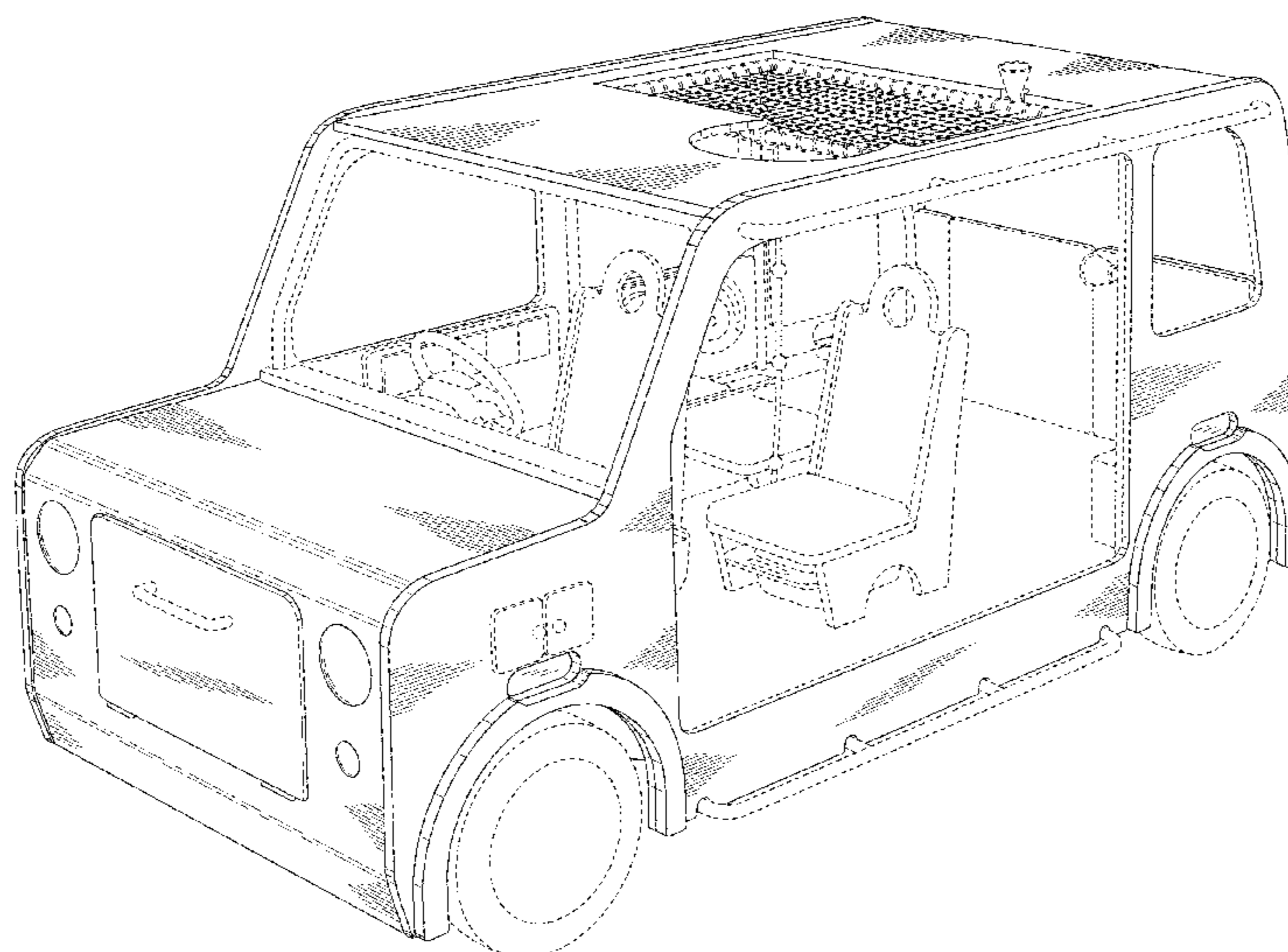
(57) **CLAIM**

The ornamental design for a play facility for intellectual training, as shown and described.

DESCRIPTION

FIG. 1 is a front and left side perspective view of a play facility for intellectual training;
FIG. 2 is a rear and right side perspective view thereof;
FIG. 3 is a front and right side perspective view thereof;
FIG. 4 is a rear and left side perspective view thereof;
FIG. 5 is a front view thereof;
FIG. 6 is a rear view thereof;
FIG. 7 is a top plan view thereof;
FIG. 8 is a left side view thereof; and,
FIG. 9 is a right side view thereof.
The broken lines in the drawings illustrate portions of the play facility for intellectual training that form no part of the claimed design.

1 Claim, 9 Drawing Sheets



(56)

References Cited

U.S. PATENT DOCUMENTS

D840,271 S * 2/2019 Goodrich D12/91
D841,743 S * 2/2019 Barajas D21/548
D852,900 S * 7/2019 Zhou D21/552

* cited by examiner

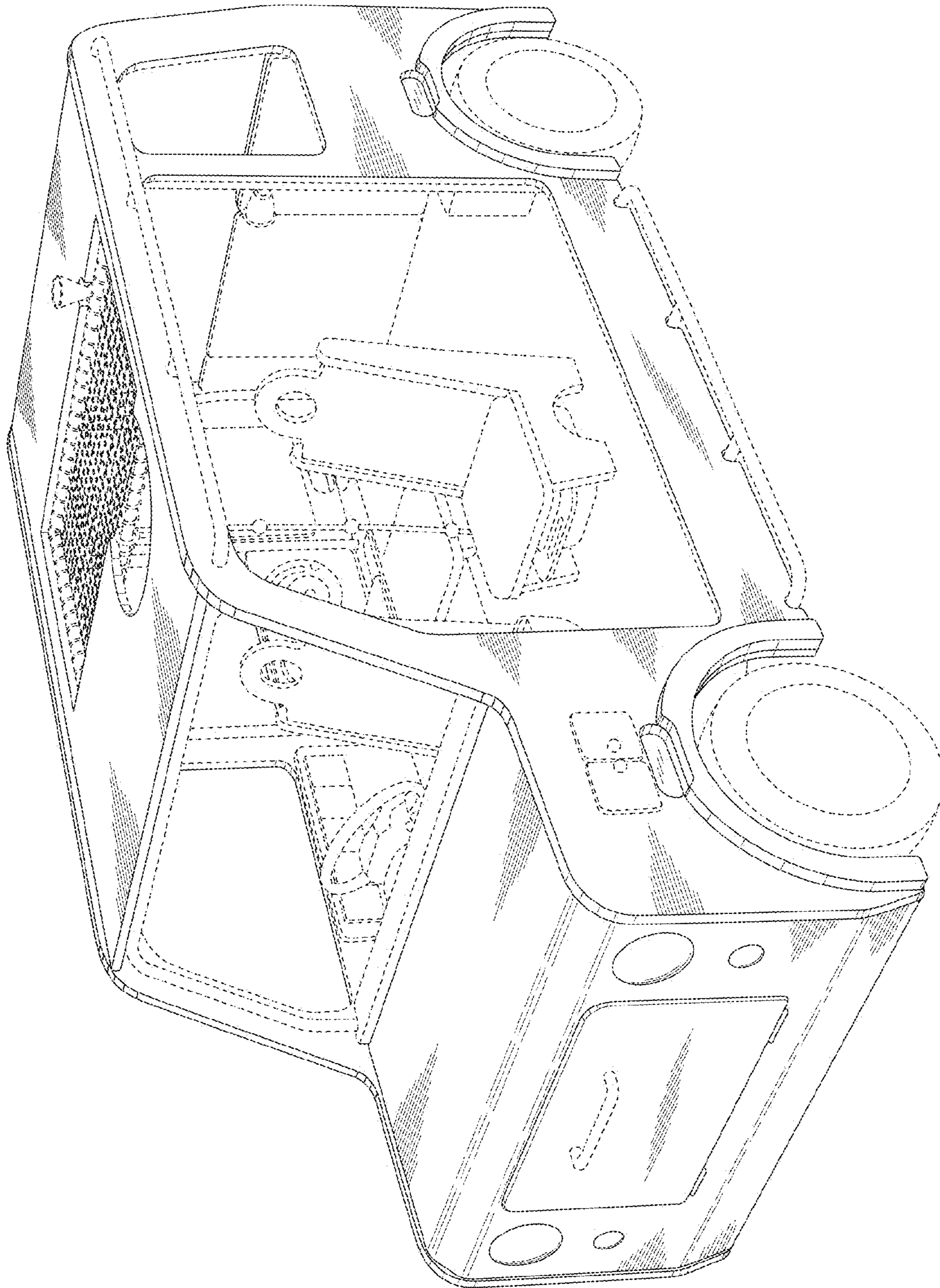


FIG. 1

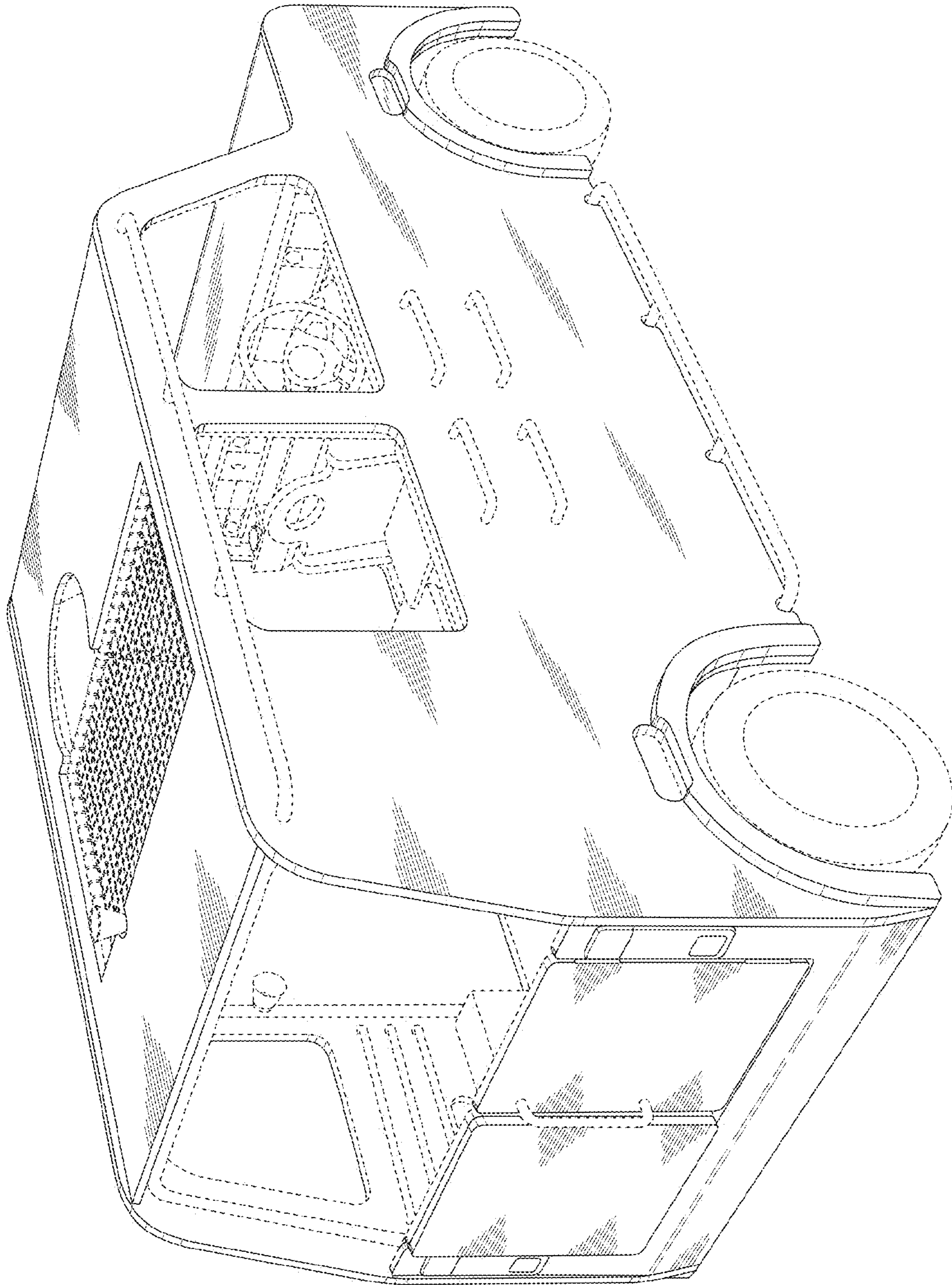


FIG.2

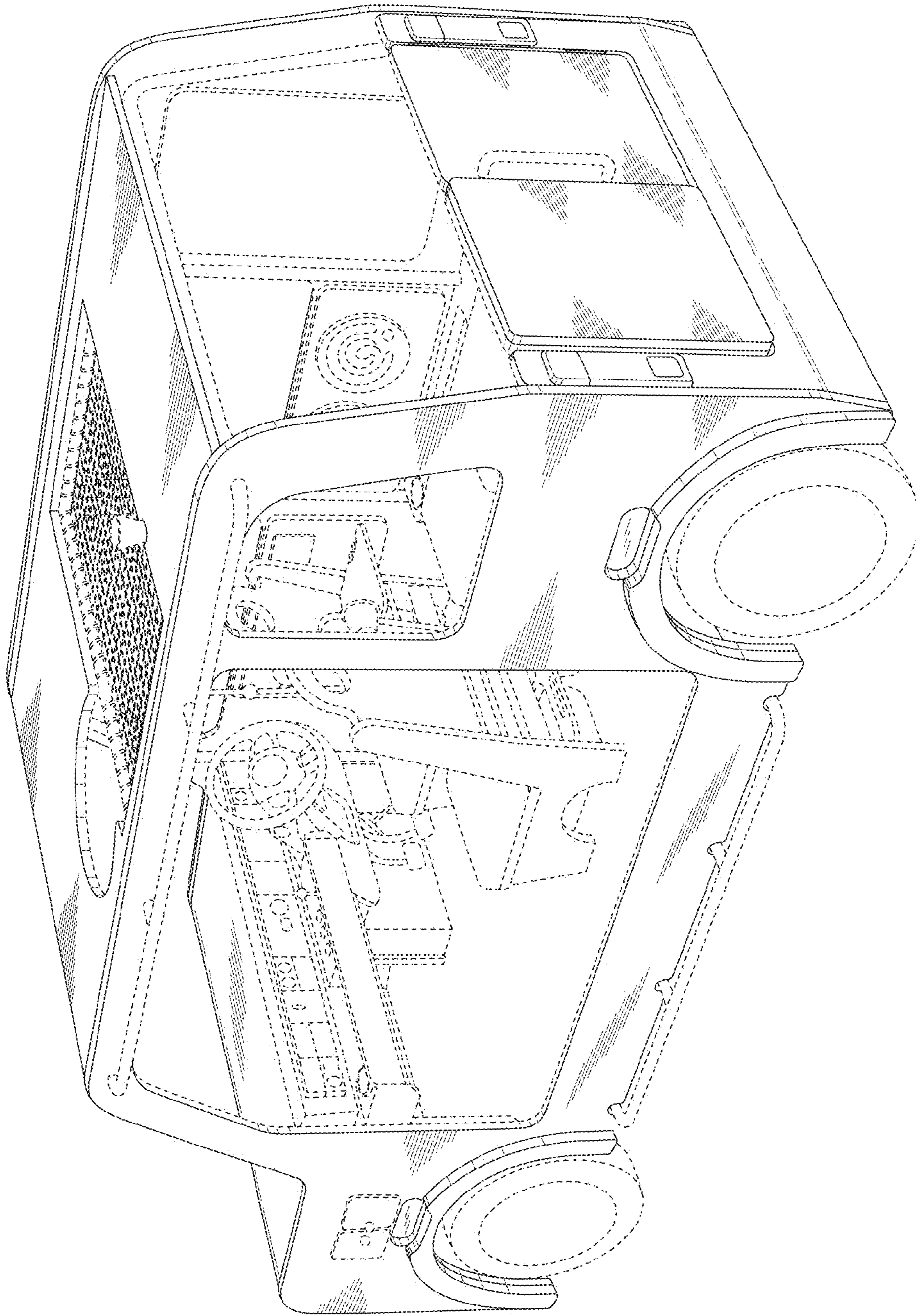


FIG.3

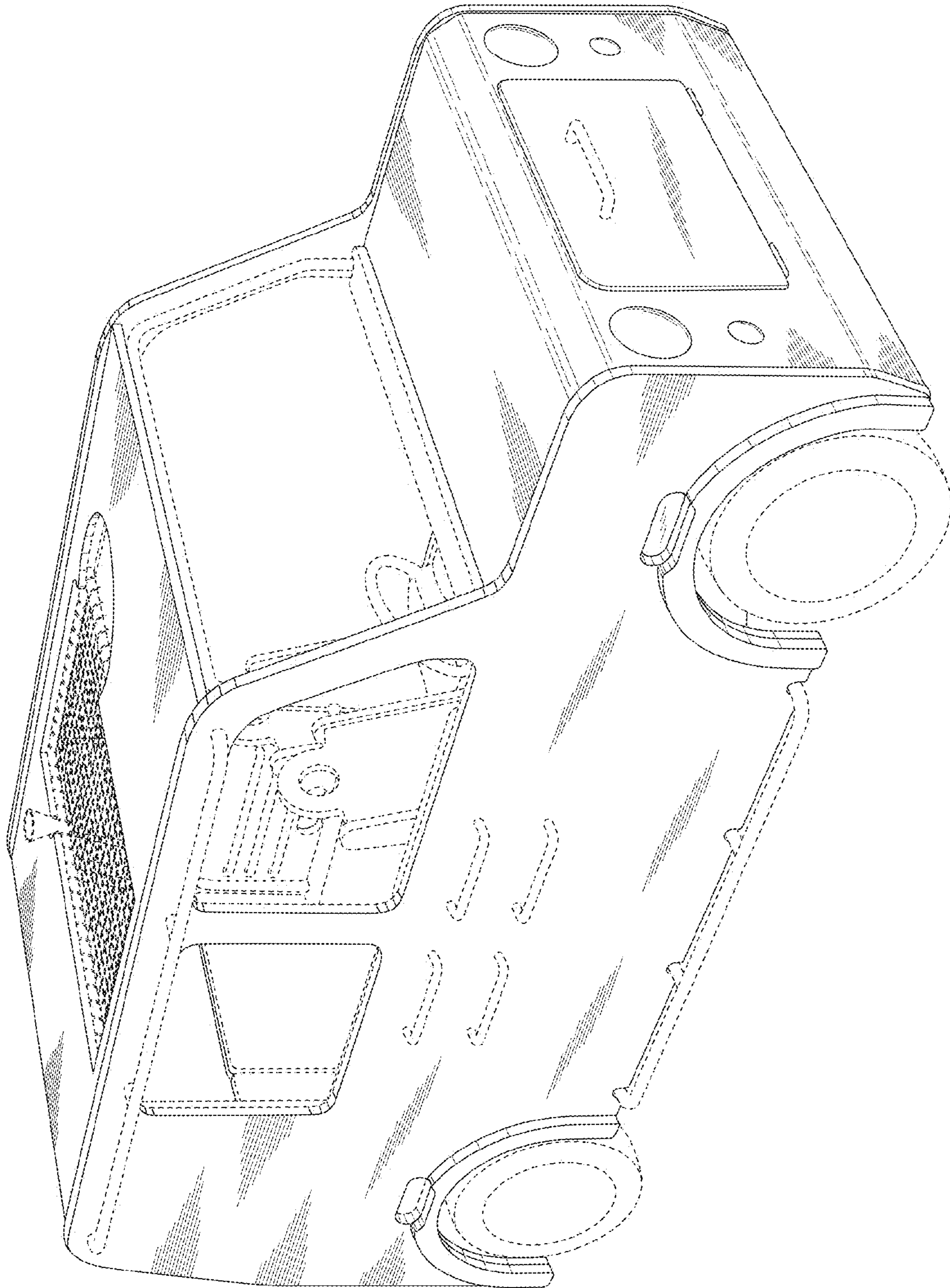


FIG.4

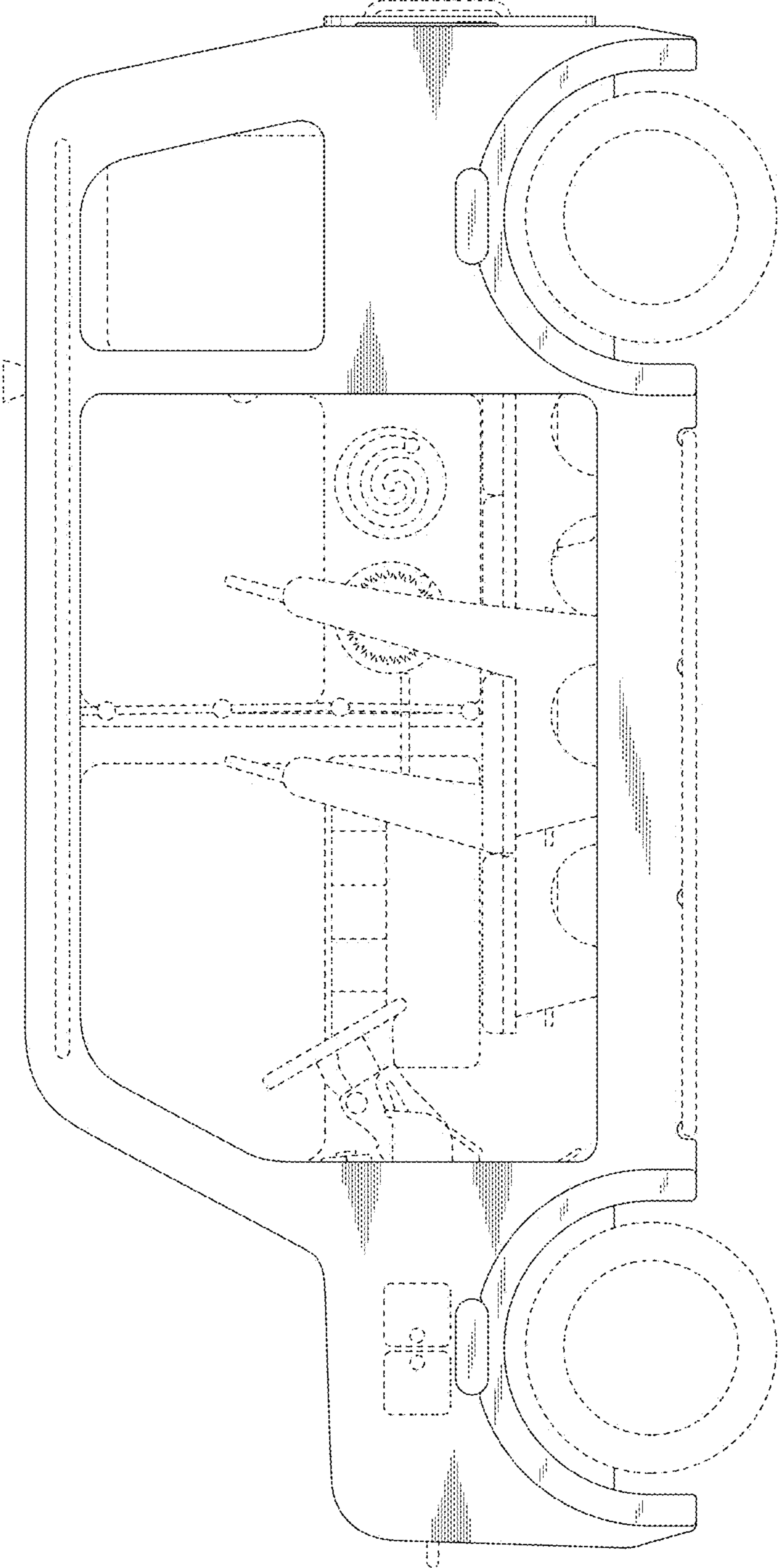


FIG.5

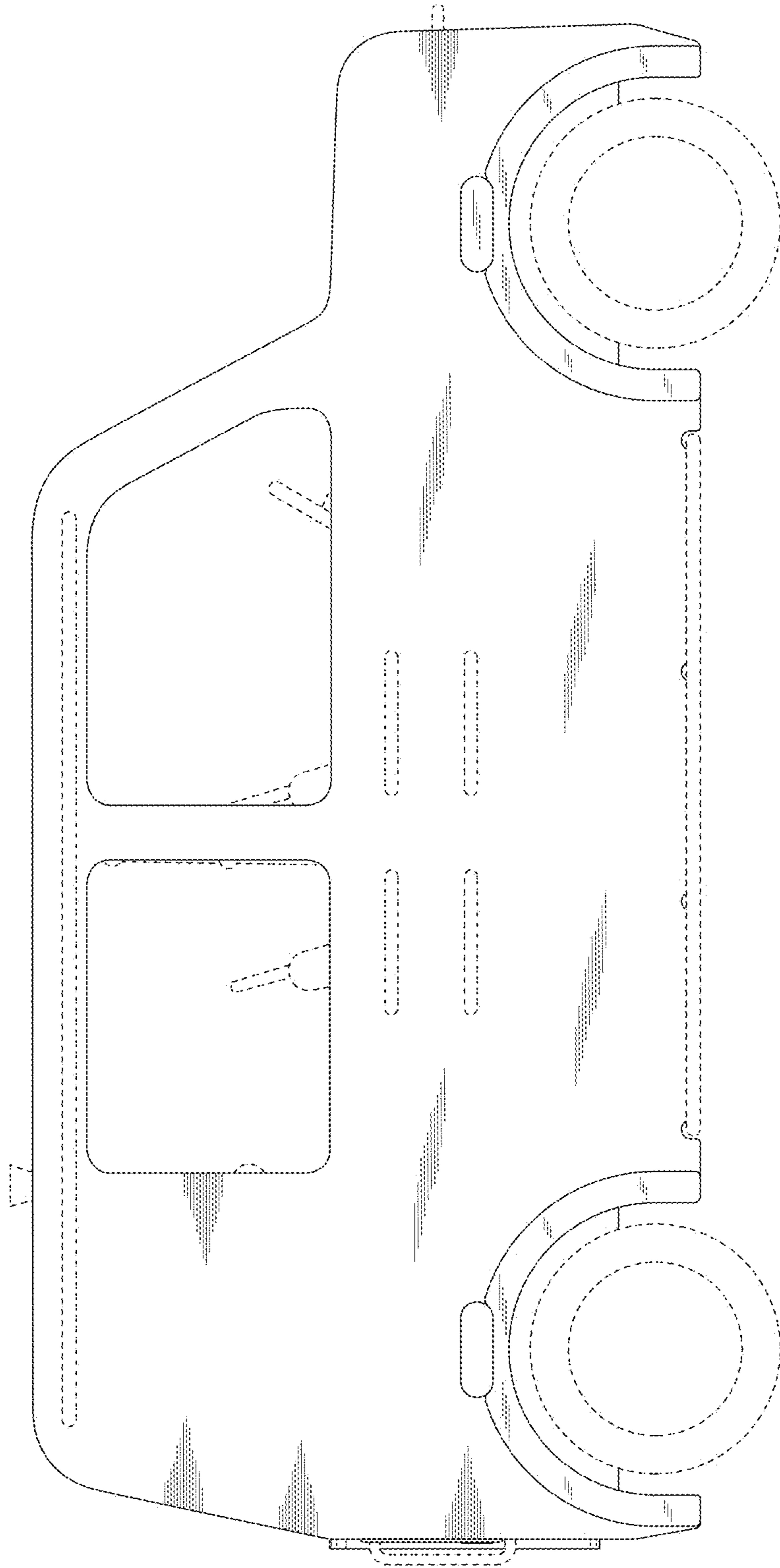


FIG.6

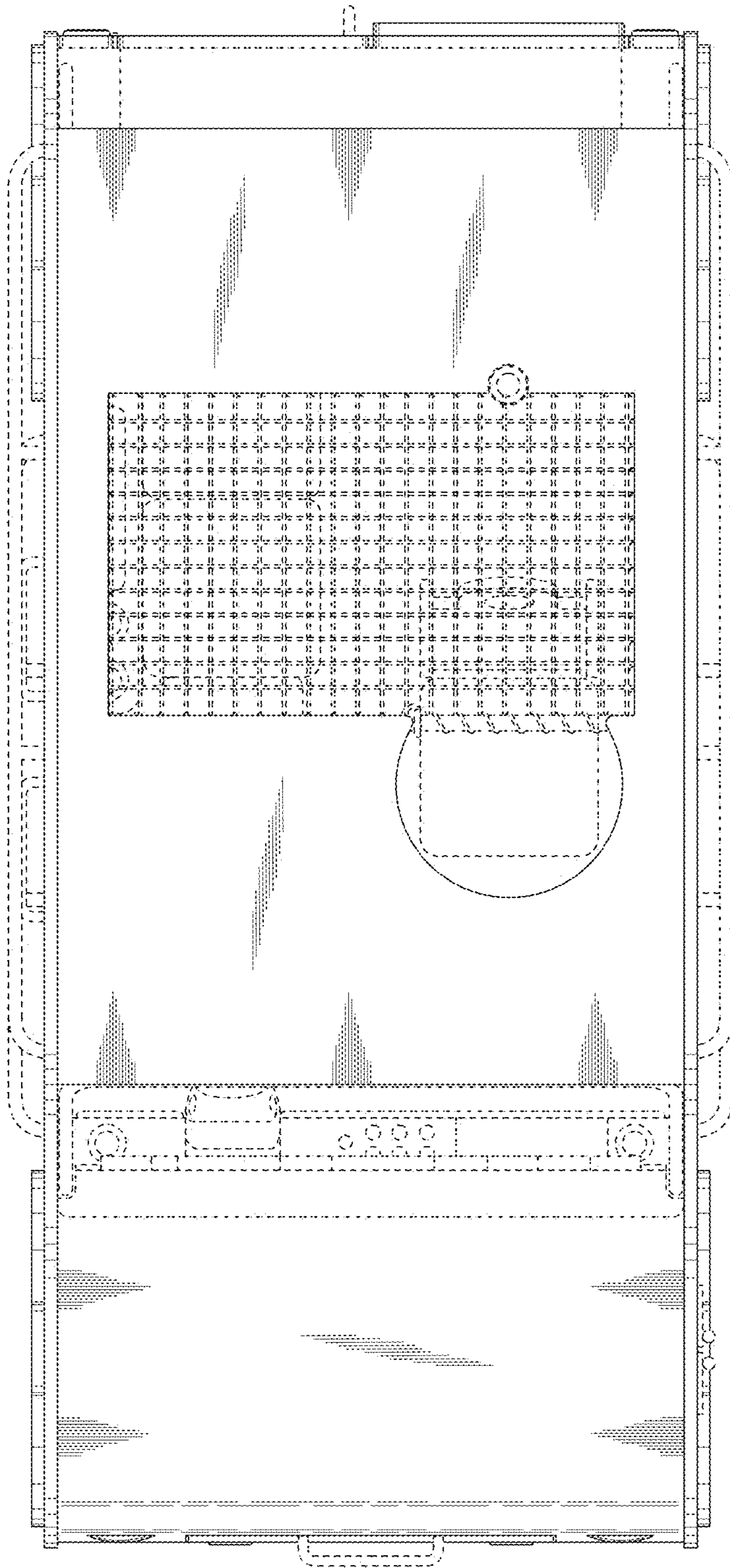


FIG. 7

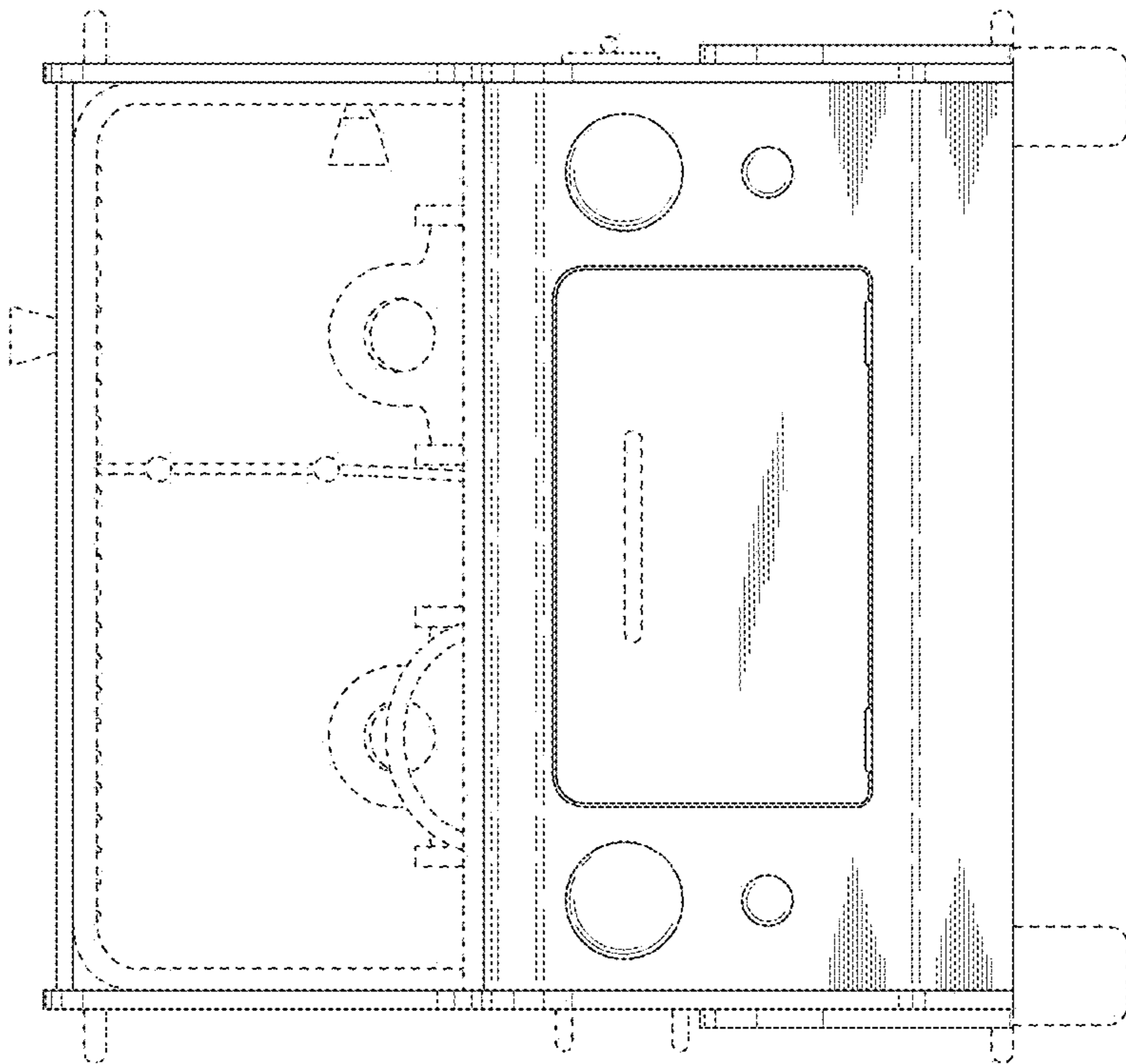


FIG.8

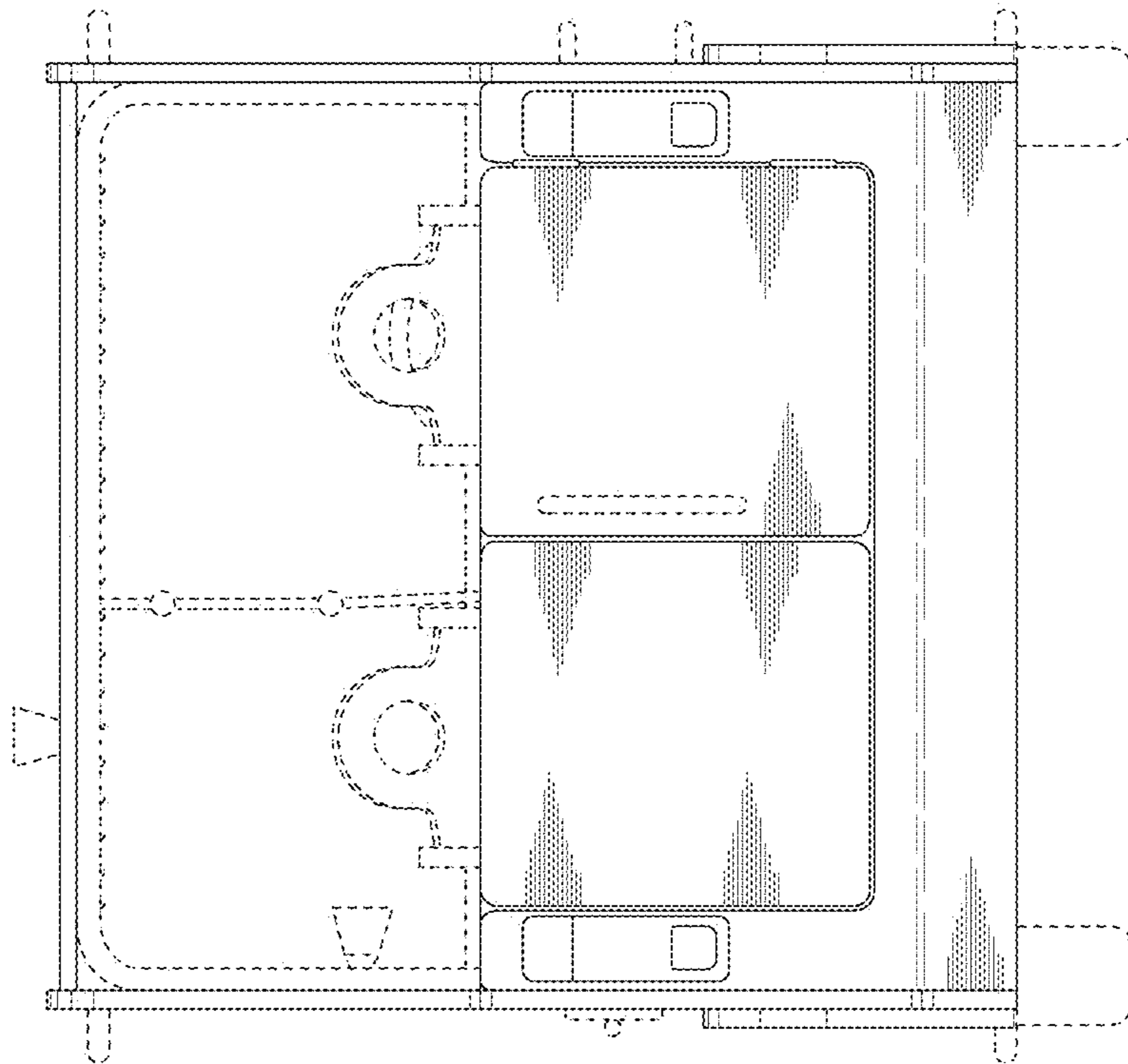


FIG.9