



US00D891982S

(12) **United States Design Patent**
Hargins

(10) **Patent No.:** **US D891,982 S**

(45) **Date of Patent:** **** Aug. 4, 2020**

- (54) **PLANTER**
- (71) Applicant: **Jamiah Elijah Hargins**, Los Angeles, CA (US)
- (72) Inventor: **Jamiah Elijah Hargins**, Los Angeles, CA (US)
- (**) Term: **15 Years**
- (21) Appl. No.: **29/689,796**
- (22) Filed: **May 1, 2019**
- (51) **LOC (12) Cl.** **11-02**
- (52) **U.S. Cl.**
USPC **D11/155**
- (58) **Field of Classification Search**
USPC D11/143–156, 164; D3/304, 313, 314; D6/403, 404, 405, 556, 557, 558; D7/316, 598; D9/428, 432, 456; D99/5, D99/19
CPC . A01G 5/04; A01G 9/02; A01G 9/021; A01G 9/022; A01G 9/026; A01G 9/027; A01G 9/029; A01G 9/033; A47G 7/00; A47G 7/02; A47G 7/04; A47G 7/041; A47G 7/044; A47G 7/047; A47G 7/06; A47G 7/063; A47G 7/08
See application file for complete search history.

- 5,390,443 A * 2/1995 Emalfarb A47G 7/044 211/119
- D365,232 S * 12/1995 Briault D11/156
- 5,494,308 A * 2/1996 Southerland B62B 3/1468 280/33.992
- D420,798 S * 2/2000 Belokin D3/201
- 6,050,532 A * 4/2000 Paul A47G 7/044 248/214
- 6,109,462 A * 8/2000 Emalfarb A47G 7/044 211/119
- D481,894 S * 11/2003 Hunt D6/525
- D553,980 S * 10/2007 VerWeyst D9/432
- D600,017 S * 9/2009 Christie D3/304
- 7,735,800 B2 * 6/2010 Lunato A47G 7/044 248/146
- 7,832,147 B2 * 11/2010 Weast A01G 9/024 47/86

(Continued)

Primary Examiner — Elizabeth A. Albert
(74) *Attorney, Agent, or Firm* — Karim Lagobi

(57) **CLAIM**

The ornamental design for a planter, as shown and described.

DESCRIPTION

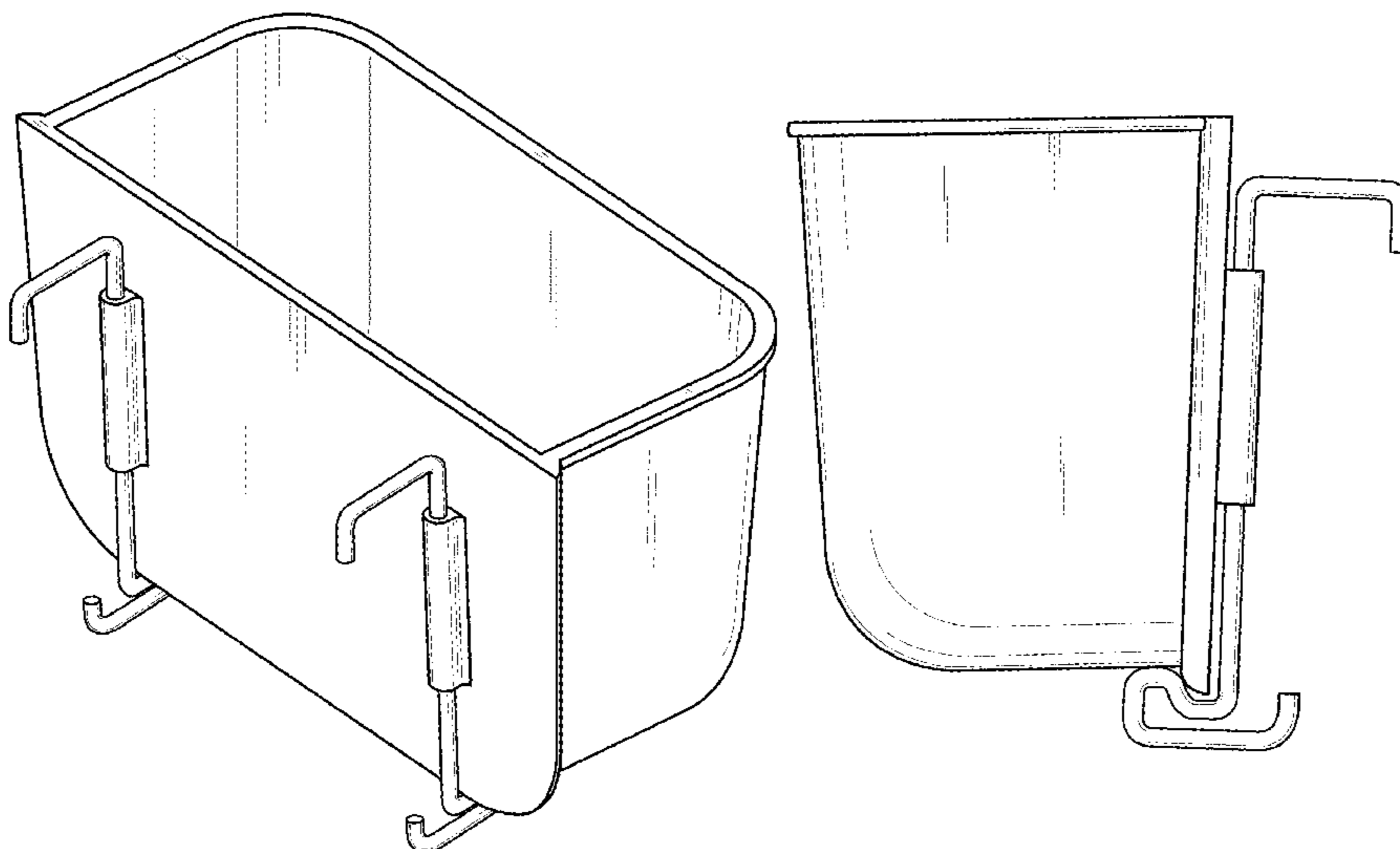
FIG. 1 is a top rear perspective view of a planter showing my new design.
FIG. 2 is a right side elevation view thereof.
FIG. 3 is a front elevation view thereof.
FIG. 4 is a left side elevation view thereof.
FIG. 5 is a back elevation view thereof.
FIG. 6 is a top plan view thereof.
FIG. 7 is a bottom plan view thereof; and,
FIG. 8 is another top rear perspective view thereof.
The broken lines in the drawings are included to show features in the environment that form no part of the claimed design.

1 Claim, 8 Drawing Sheets

(56) **References Cited**

U.S. PATENT DOCUMENTS

- 1,191,184 A * 7/1916 Hooper A01K 5/01 119/61.1
- 1,955,476 A * 4/1934 Torgersen A47G 7/044 248/208
- 2,631,735 A * 3/1953 Levesque A45D 8/185 211/88.01
- D209,279 S * 11/1967 Cohen D34/27
- D231,116 S * 4/1974 Anderson D11/146
- 4,739,582 A * 4/1988 Cullinane A47G 7/044 47/41.12
- D300,804 S * 4/1989 Myers D34/5
- D350,303 S * 9/1994 Holgar D11/143



(56)

References Cited

U.S. PATENT DOCUMENTS

8,281,517 B2 * 10/2012 MacKenzie A01G 9/025
47/82
D686,940 S * 7/2013 Donitz D11/143
D689,300 S * 9/2013 MacKenzie D6/556
D689,302 S * 9/2013 MacKenzie D6/558
9,351,448 B2 * 5/2016 Mackenzie A01G 9/025
9,655,308 B2 * 5/2017 MacKenzie A01G 9/025
D798,056 S * 9/2017 Aylward D3/307
10,517,229 B2 * 12/2019 MacKenzie A01G 9/025
2006/0049591 A1 * 3/2006 Pennell B62B 3/1468
280/33.992

* cited by examiner

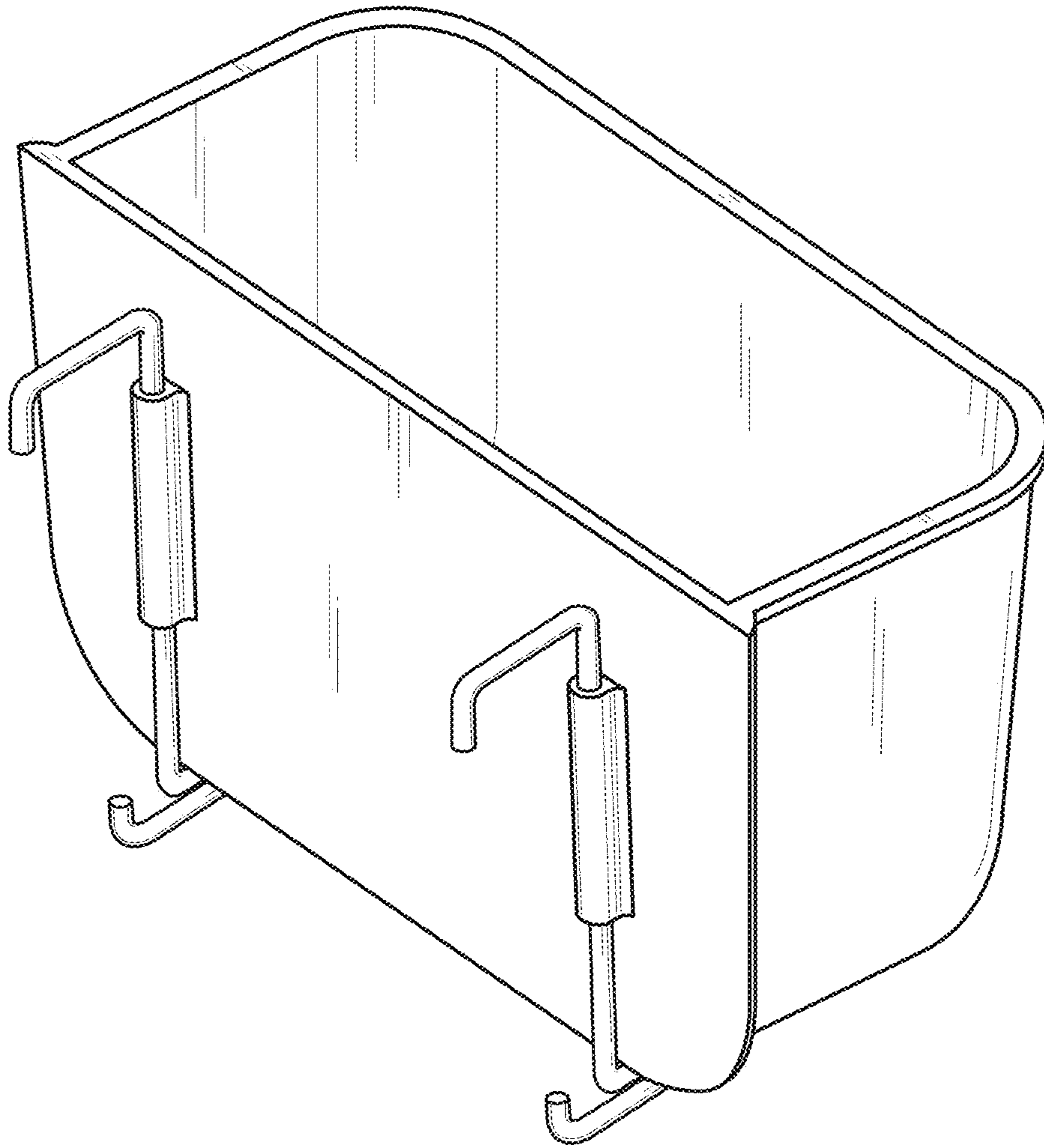


FIG. 1

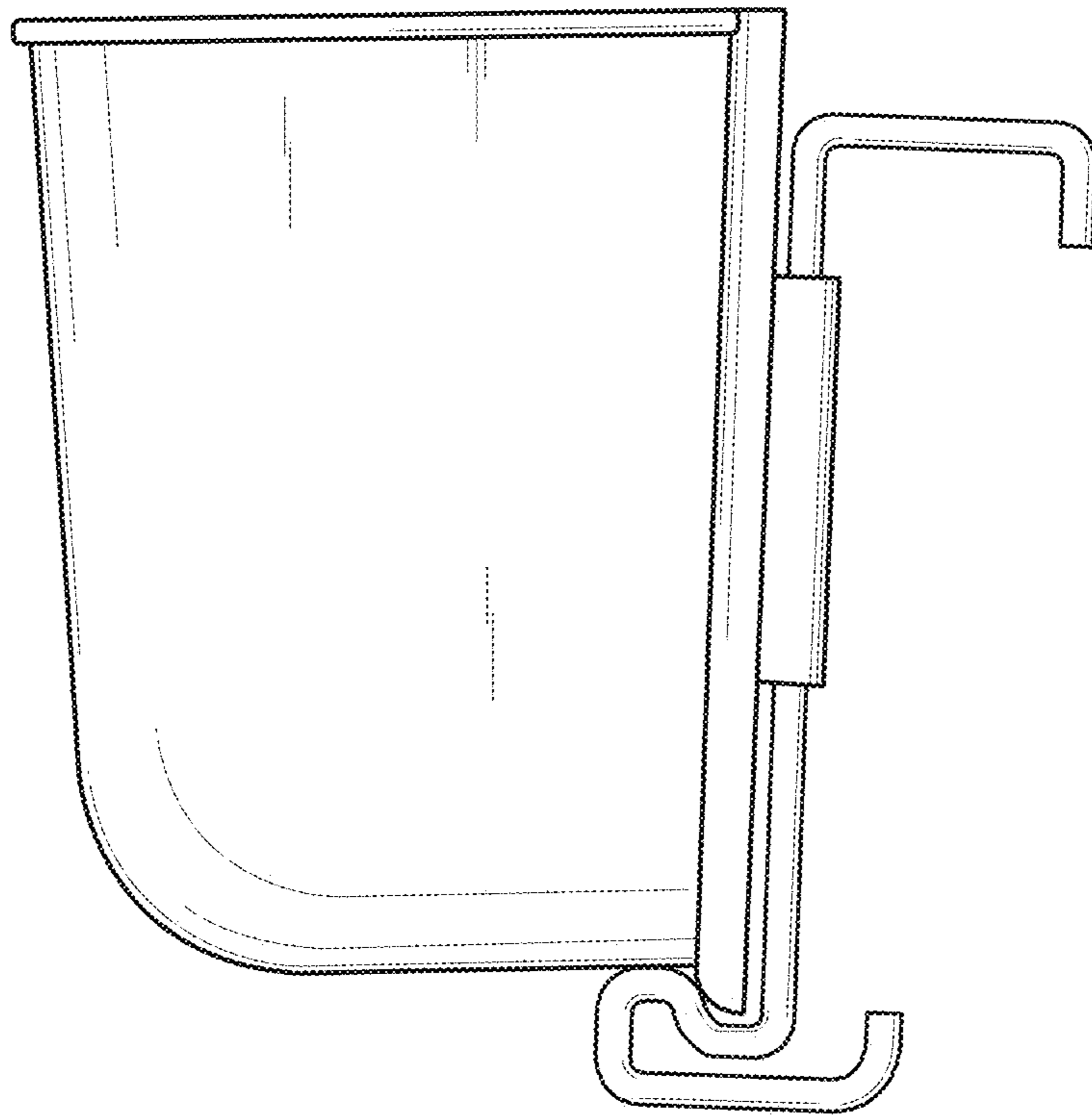


FIG. 2

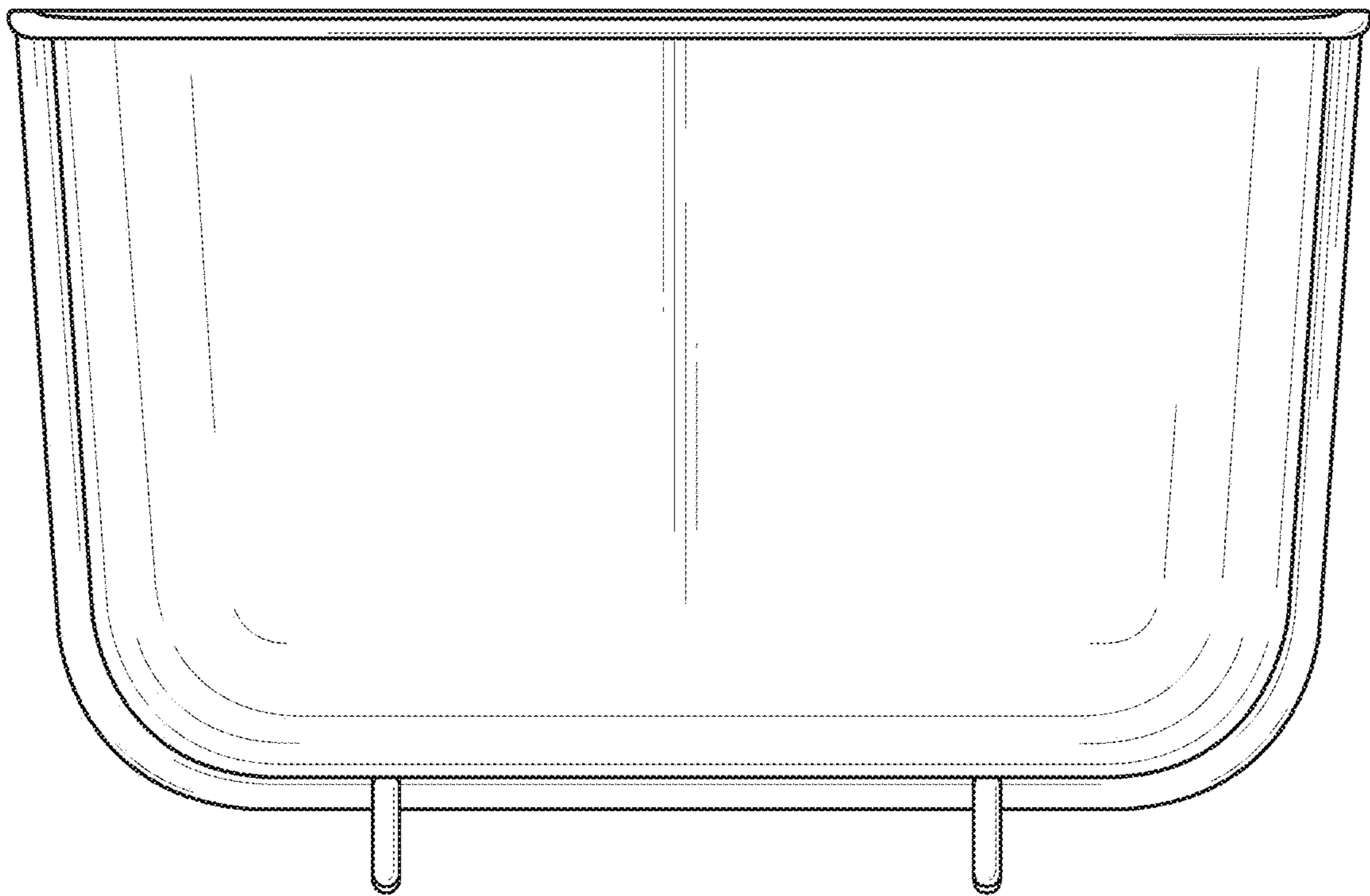


FIG. 3

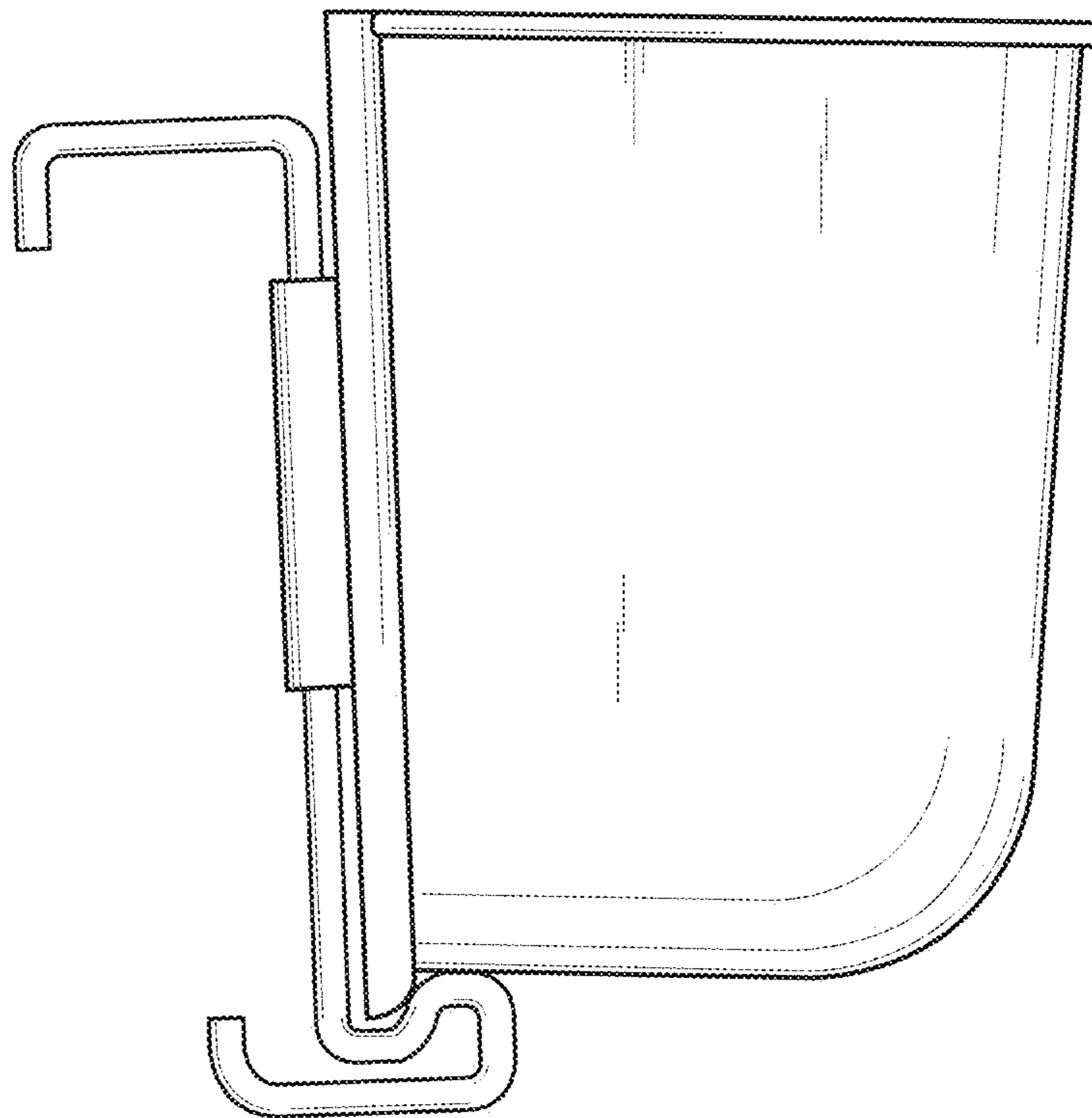


FIG. 4

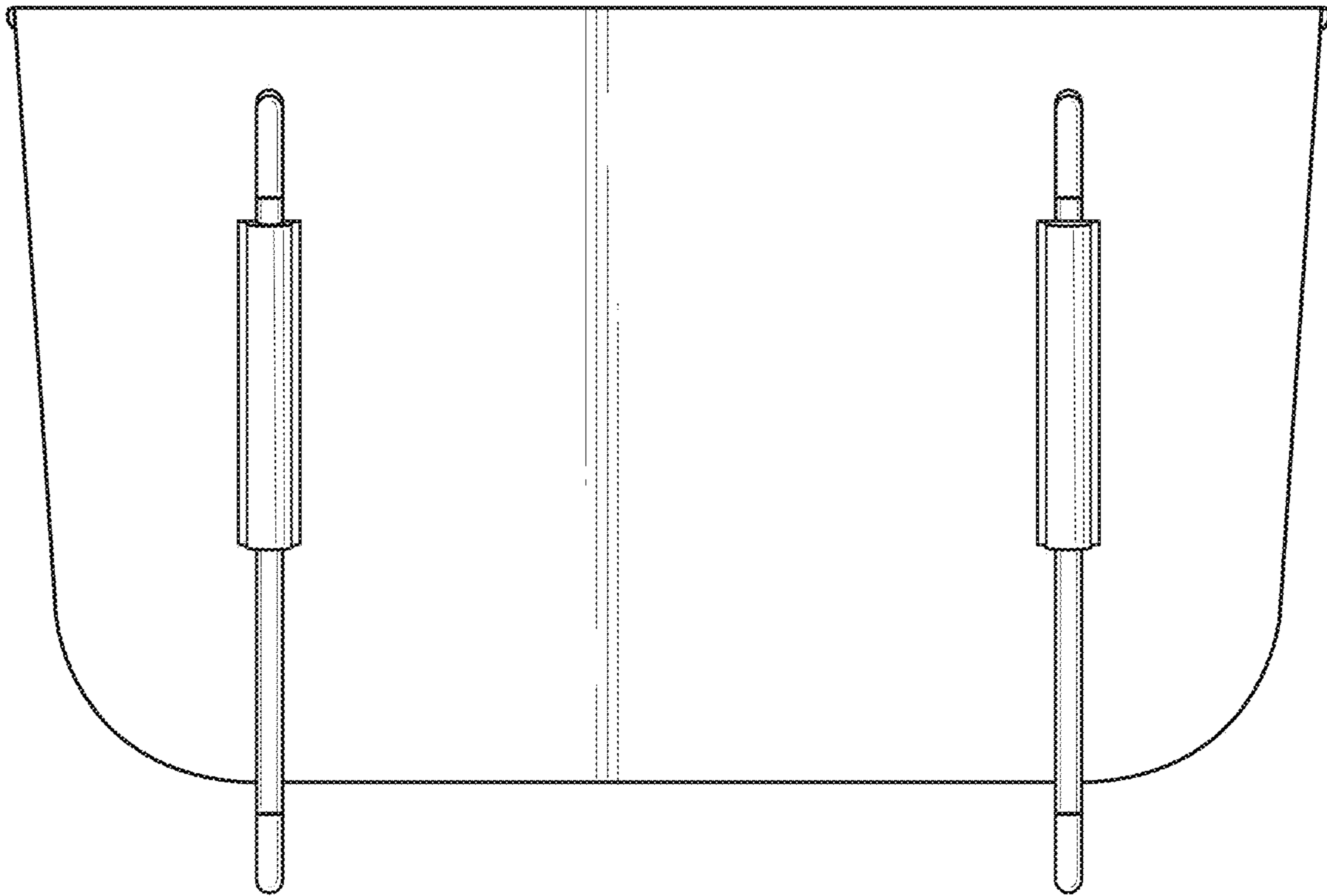


FIG. 5

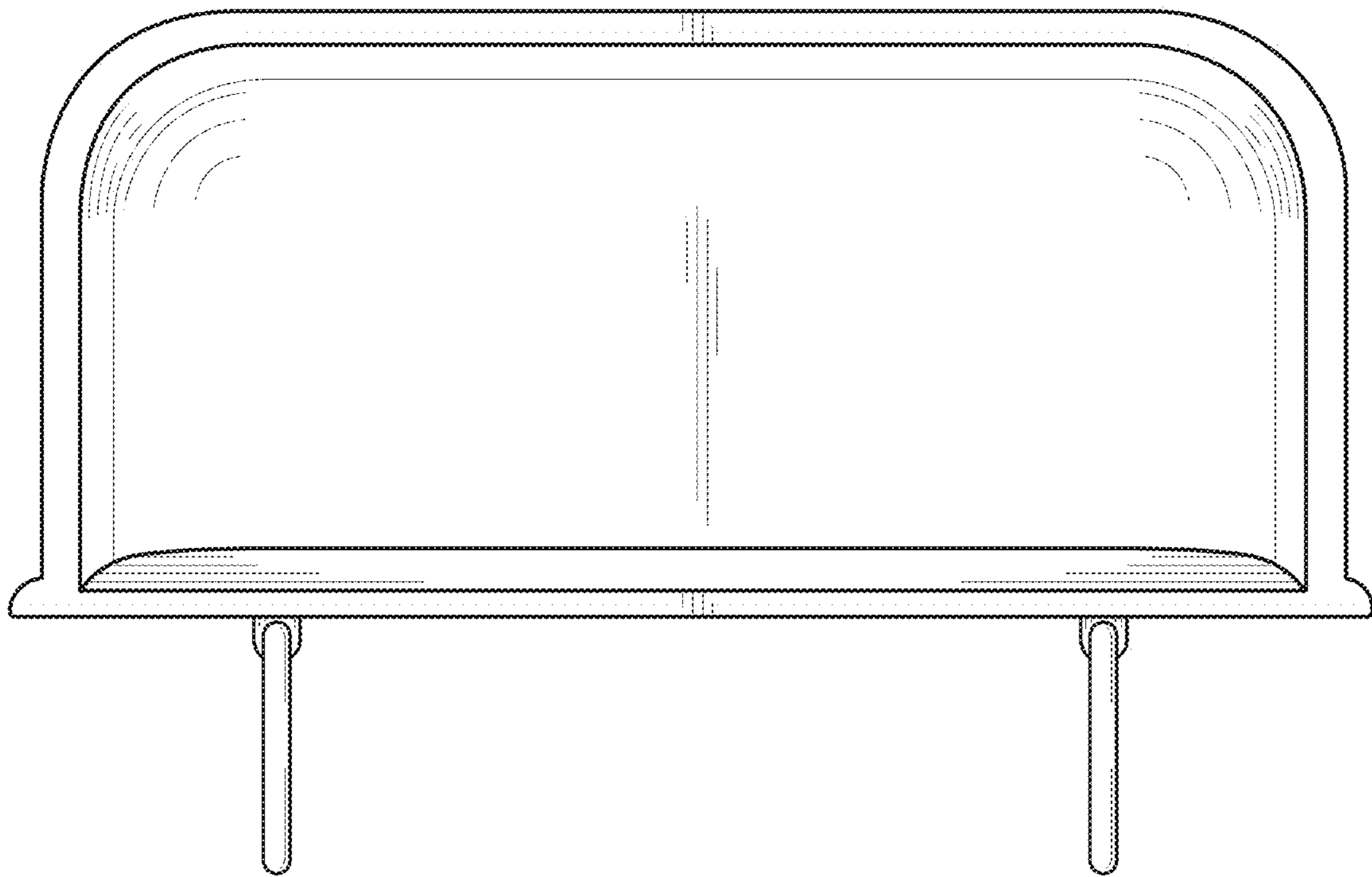


FIG. 6

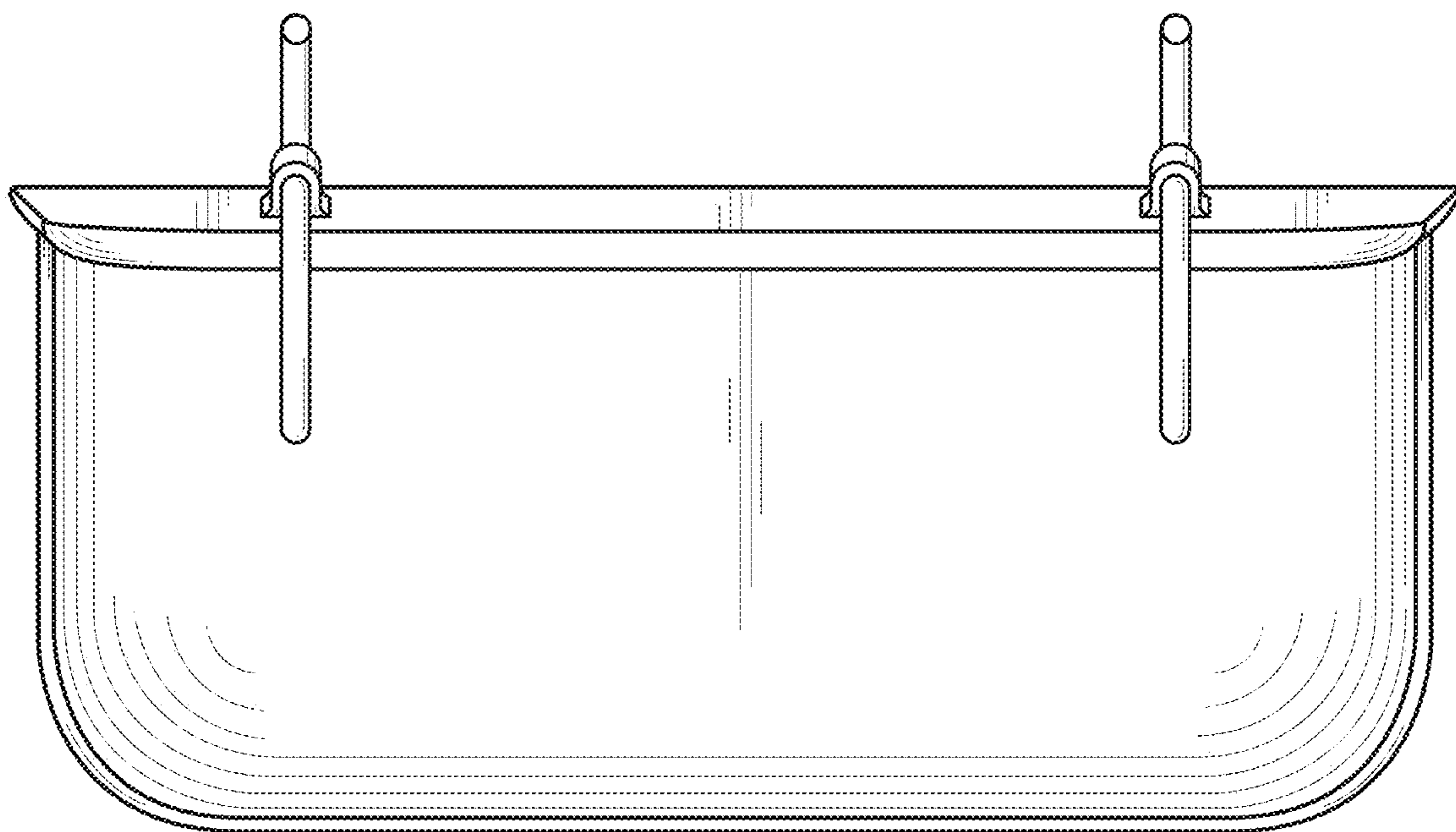


FIG. 7

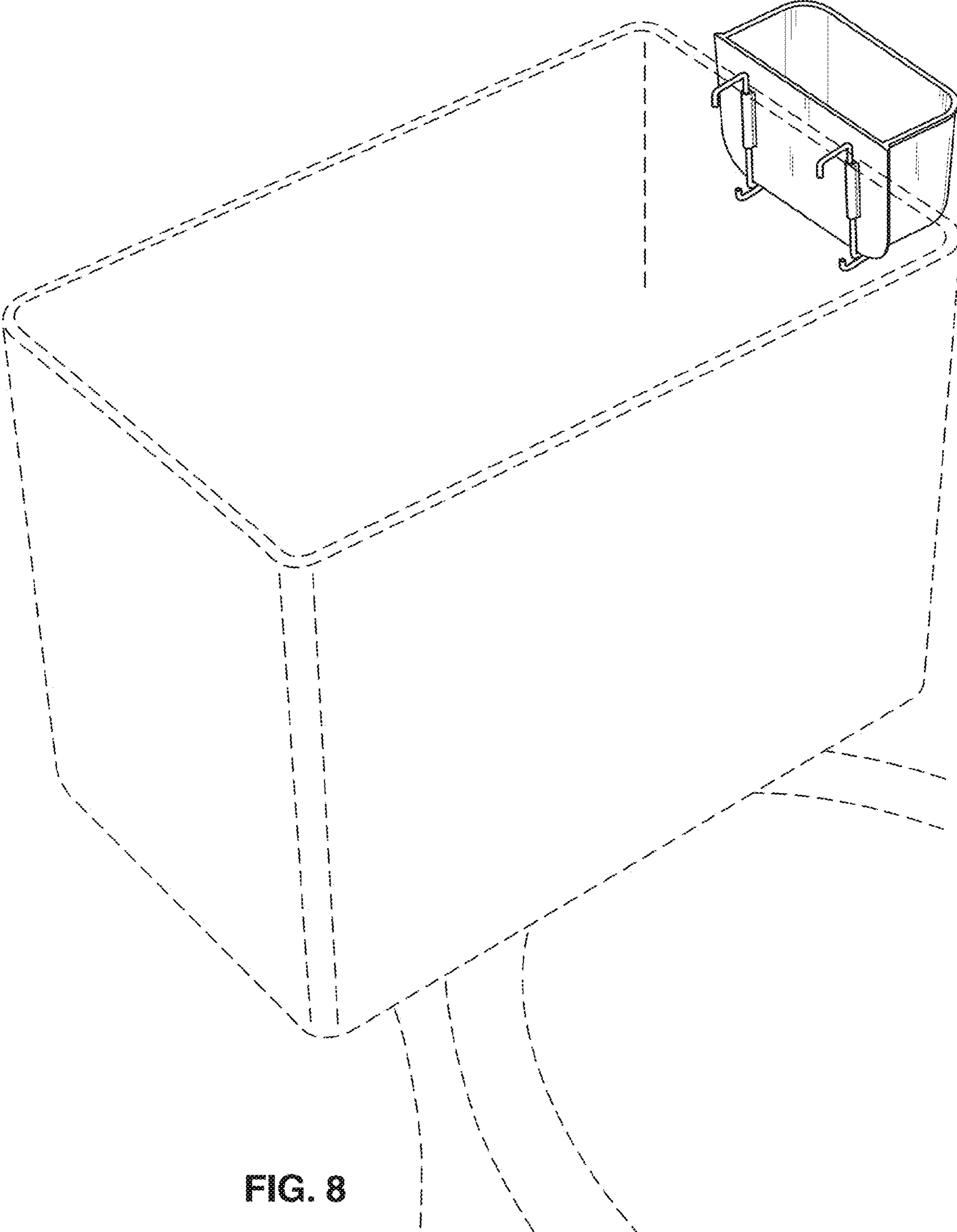


FIG. 8