



US00D891981S

(12) **United States Design Patent** (10) **Patent No.:** **US D891,981 S**
Riesterer (45) **Date of Patent:** **** Aug. 4, 2020**

(54) **PLANT SUPPORT TRAY**

B65D 2543/00277; B65D 81/3453; B65D 71/70; B65D 25/103; A47G 19/02; A47G 19/065; A47G 23/0608; A47G 23/06

(71) Applicant: **Donald L. Riesterer**, Bloomington, MN (US)

See application file for complete search history.

(72) Inventor: **Donald L. Riesterer**, Bloomington, MN (US)

(56) **References Cited**

(**) Term: **15 Years**

U.S. PATENT DOCUMENTS

(21) Appl. No.: **29/609,286**

3,067,921	A *	12/1962	Reifers	A47G 19/03 229/407
3,591,032	A *	7/1971	Baxter	B65D 1/36 217/26.5
D242,266	S *	11/1976	Beh	D11/156
4,121,510	A *	10/1978	Frederick	A47J 36/04 219/733
4,356,995	A *	11/1982	Lohner	A21C 13/00 249/112

(22) Filed: **Jun. 29, 2017**

(51) **LOC (12) Cl.** **11-02**

(52) **U.S. Cl.**
USPC **D11/155**; D11/164

(58) **Field of Classification Search**

USPC D9/341, 347, 414-432, 440, 444, 447, D9/449-454, 503, 504, 737, 759, 761, D9/456; D7/672, 601, 550.1, 551.1, D7/551.2, 551.3, 552.1, 552.2, 553.1, D7/553.2, 553.4, 553.5, 553.7, 553.8, D7/554.1, 554.3, 555, 557, 602, 629, 630, D7/538-542, 612-615, 584, 586, 587, D7/392.1, 709, 608, 622, 701, 703, D7/543-549, 317-319, 391, 392, 396.2, D7/510, 511; D3/273, 201-206, 276, D3/283, 284, 295, 274, 302; D11/143, D11/155; 220/575, 500, 505-507, 523, 220/553, 555, 556; 206/216, 217, 206/541-550, 518, 557, 558, 561, 564, 206/223, 467; 229/107, 406, 120, 229/125.17; 249/126, 134; 426/106; 215/211, 200, 224, 243

CPC B65D 85/34; B65D 85/345; B65D 43/161; B65D 43/162; B65D 43/16; B65D 51/28; B65D 2543/00194; B65D 2543/00296; B65D 1/24; B65D 21/0237; B65D 2543/00101; B65D 2543/00351; B65D 1/36; B65D 2543/00555; B65D 2581/3425; B65D 25/04; B65D 43/0218; B65D 2543/00083; B65D 2543/00268;

(Continued)

Primary Examiner — W. A. Teddy Falloway
(74) *Attorney, Agent, or Firm* — Kagan Binder, PLLC

(57) **CLAIM**

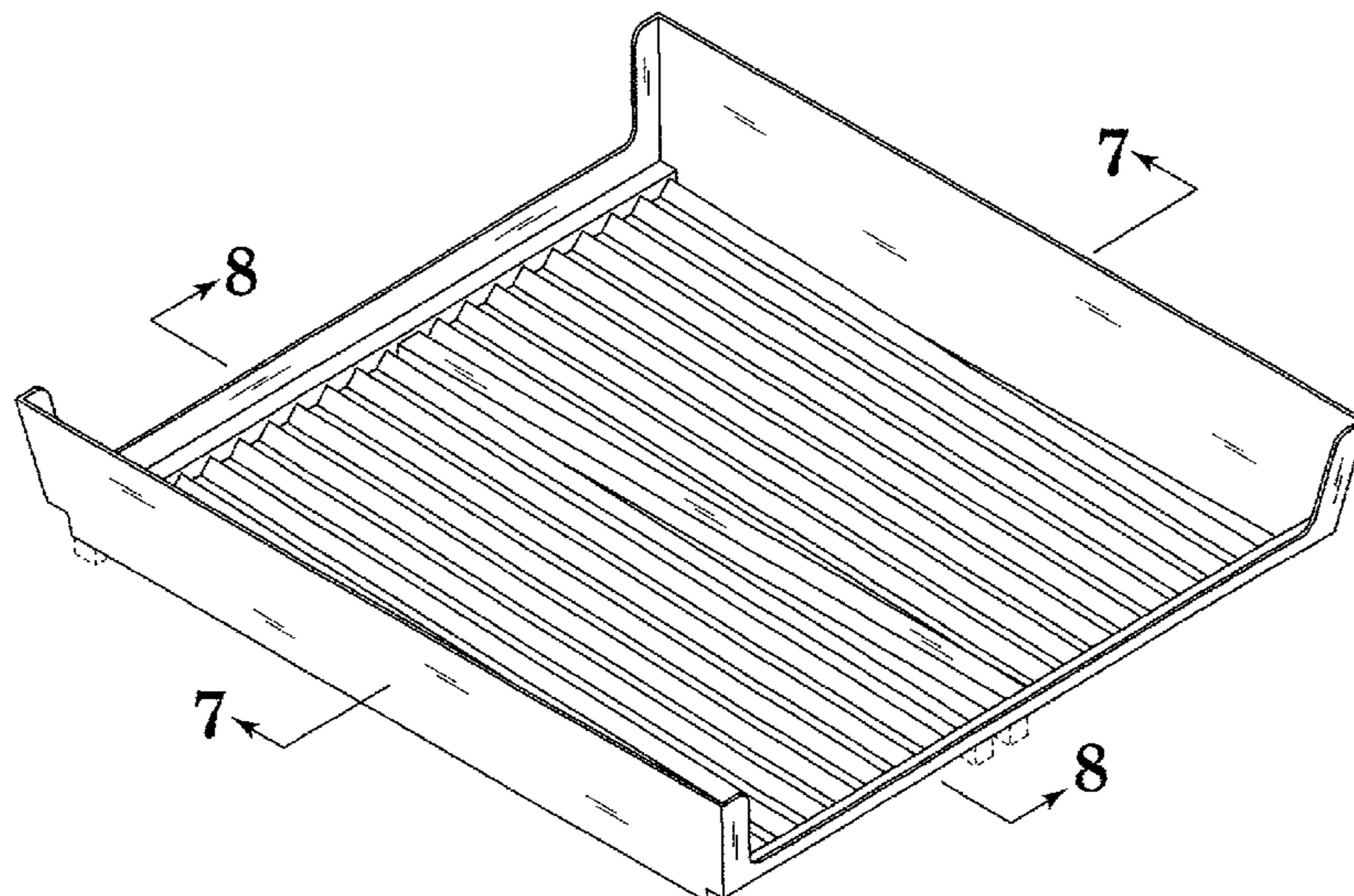
The ornamental design for a plant support tray, as shown and described.

DESCRIPTION

FIG. 1 is a perspective view of a plant support tray;
 FIG. 2 is a top plan view thereof;
 FIG. 3 is a bottom plan view thereof;
 FIG. 4 is a front view thereof;
 FIG. 5 is a back plan view thereof;
 FIG. 6 is a left side view thereof, the right being a mirror image thereof;
 FIG. 7 is a front cross-section view thereof, taken along and in the direction of line 7-7 of FIG. 1; and,
 FIG. 8 is a left side cross-section view thereof, taken along line 8-8 of FIG. 1.

The broken lines are included for the purpose of showing portions of the plant support tray that form no part of the claimed design.

1 Claim, 6 Drawing Sheets



(56)

References Cited

U.S. PATENT DOCUMENTS

D269,657 S *	7/1983	Taylor	D3/304	6,648,138 B1 *	11/2003	Kelly	A63B 47/002
4,478,337 A *	10/1984	Flum	A47F 1/12					206/315.9
				206/564	D498,387 S *	11/2004	Hojnoski	D7/402
D279,583 S *	7/1985	Hall	D19/77	D579,719 S *	11/2008	King	D7/409
D283,478 S *	4/1986	Schmidt	D7/543	D581,207 S *	11/2008	Leavens	D7/359
D318,420 S *	7/1991	Amelse	D3/313	D594,282 S *	6/2009	Klimecki	D7/561
D320,738 S *	10/1991	Kanda	D9/737	D608,146 S *	1/2010	Zemel	D7/409
5,151,568 A *	9/1992	Ripley	B65D 81/265	D669,685 S *	10/2012	Legreca	D3/304
				219/732	D676,711 S *	2/2013	Toufayan	D7/553.2
D395,369 S *	6/1998	Whittington	D6/705.7	D694,561 S *	12/2013	Eckert	D6/705
D402,137 S *	12/1998	Blazevich	D6/682.4	D726,585 S *	4/2015	Schall	D11/155
6,053,346 A *	4/2000	Niles	B65D 25/10	D727,791 S *	4/2015	Montagano	D11/155
				206/307.1	2006/0060579 A1 *	3/2006	Guarrascio	B65D 25/04
D463,202 S *	9/2002	Smith	D7/359					220/4.21
6,585,120 B2 *	7/2003	Robertson	A47F 1/12	2007/0125357 A1 *	6/2007	Johnston	A47J 37/0694
				211/59.2					126/41 R
					2010/0175319 A1 *	7/2010	Meeks	A01G 9/02
									47/79
					2018/0057211 A1 *	3/2018	Martinson	B65D 25/103
					2019/0320604 A1 *	10/2019	Petrovffsky	A01G 31/02

* cited by examiner

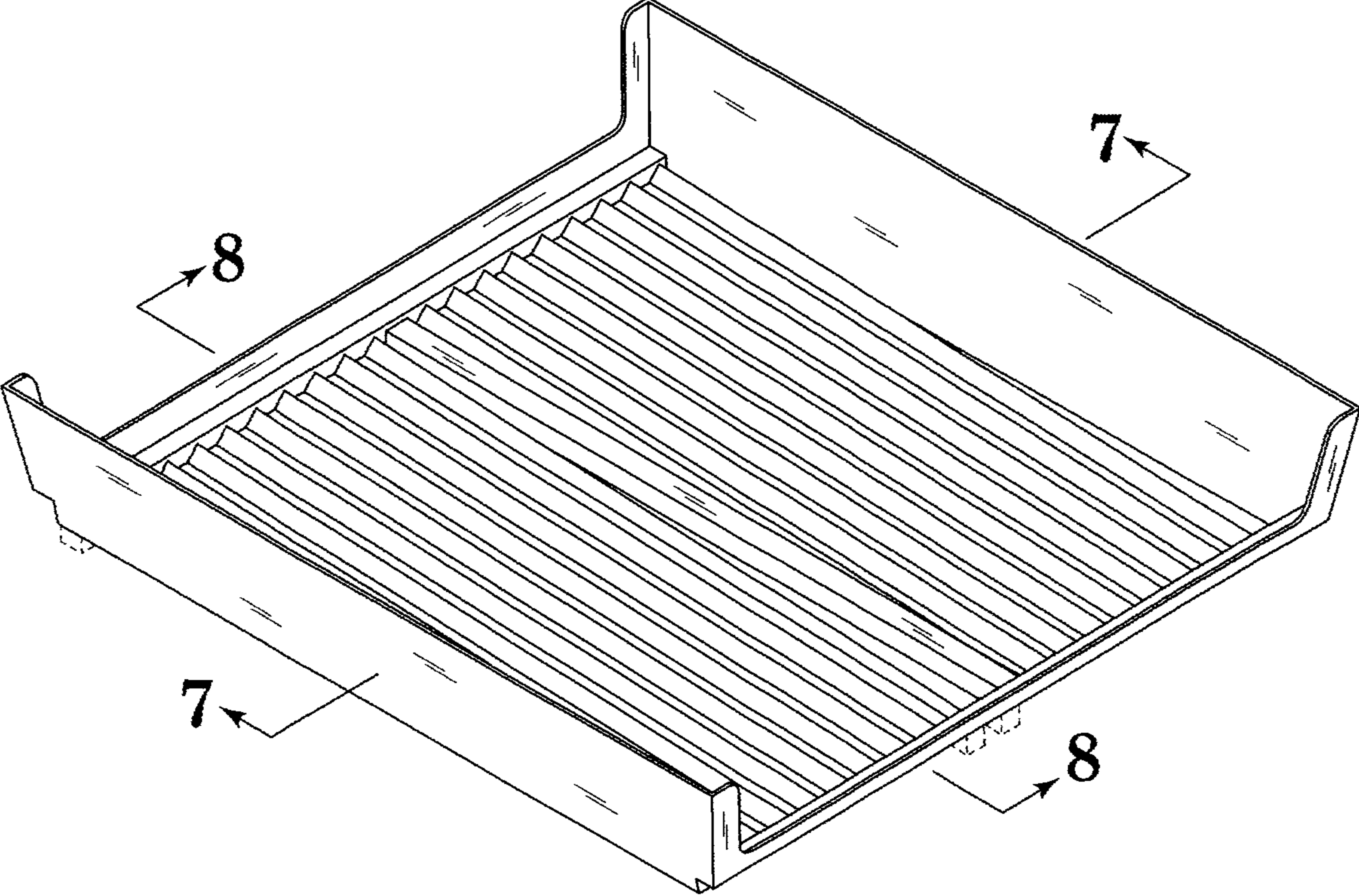


Fig. 1

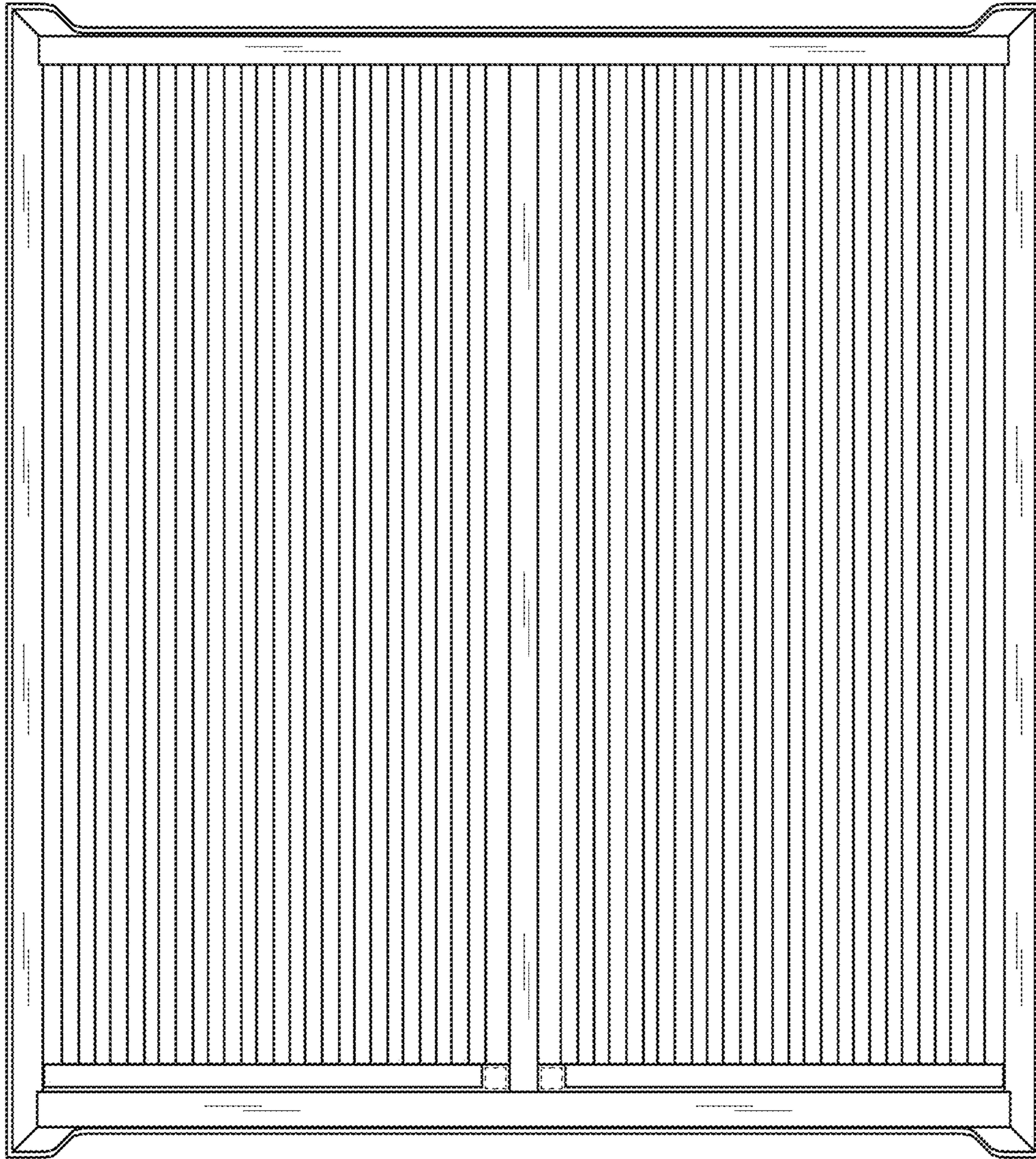


Fig. 2

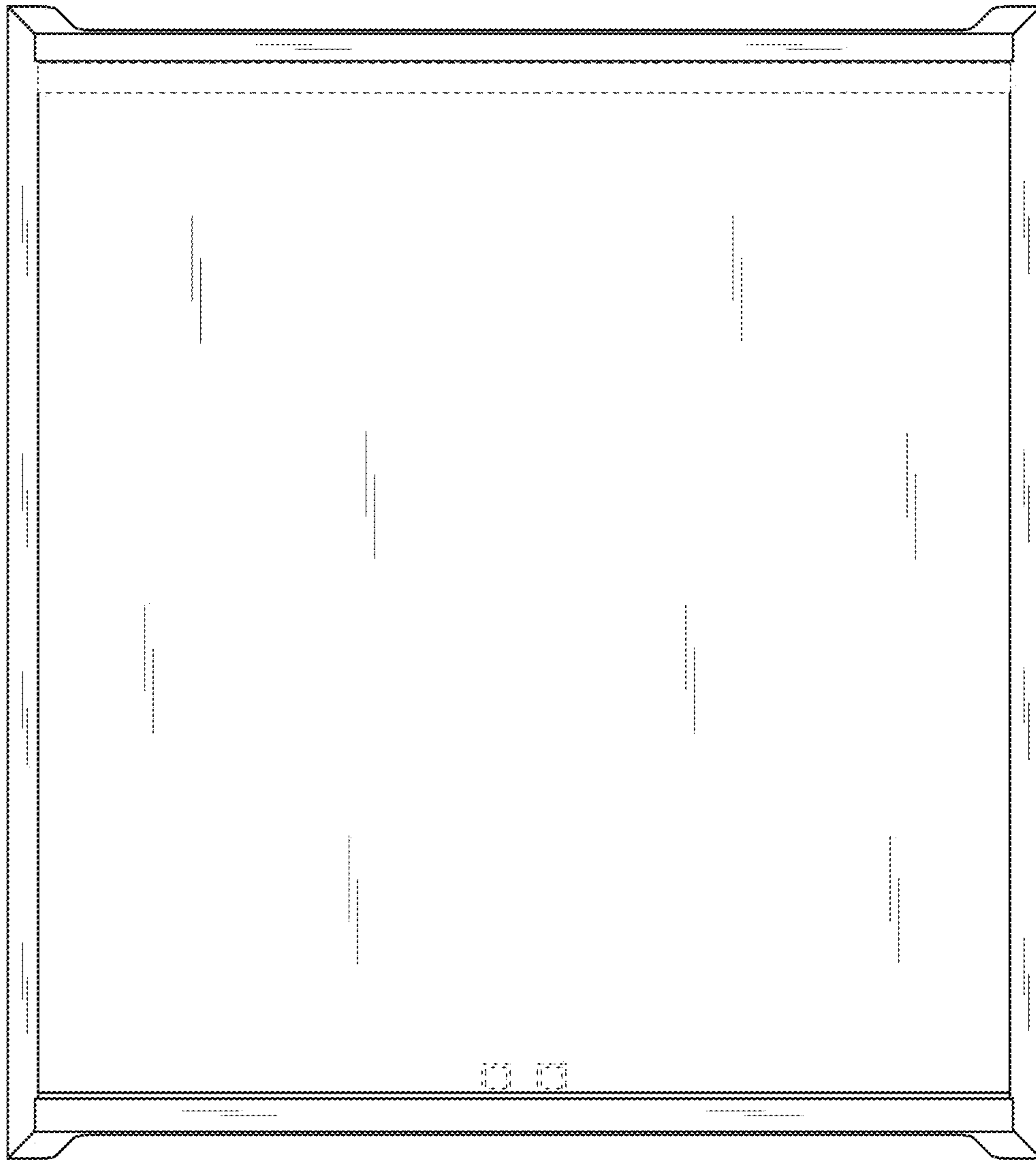


Fig. 3

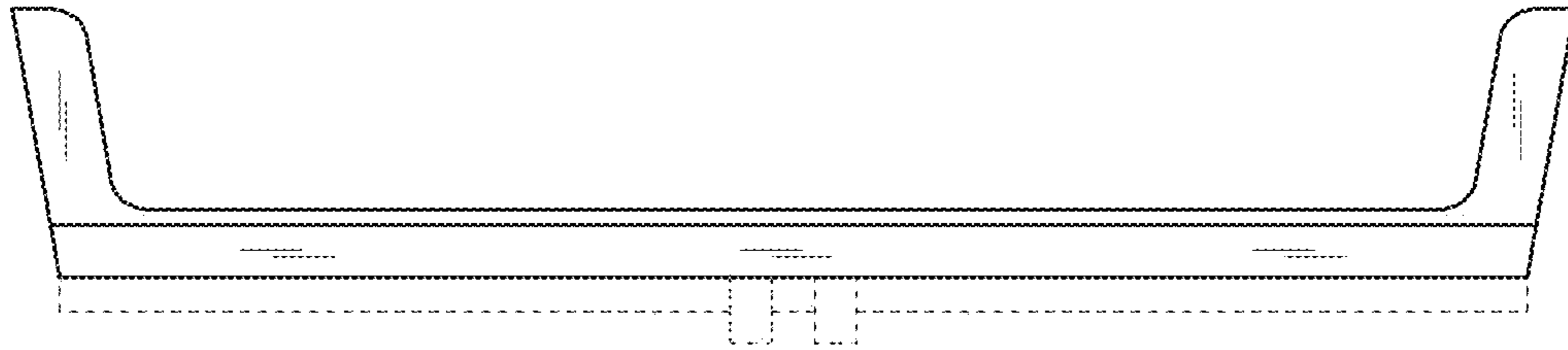


Fig. 4

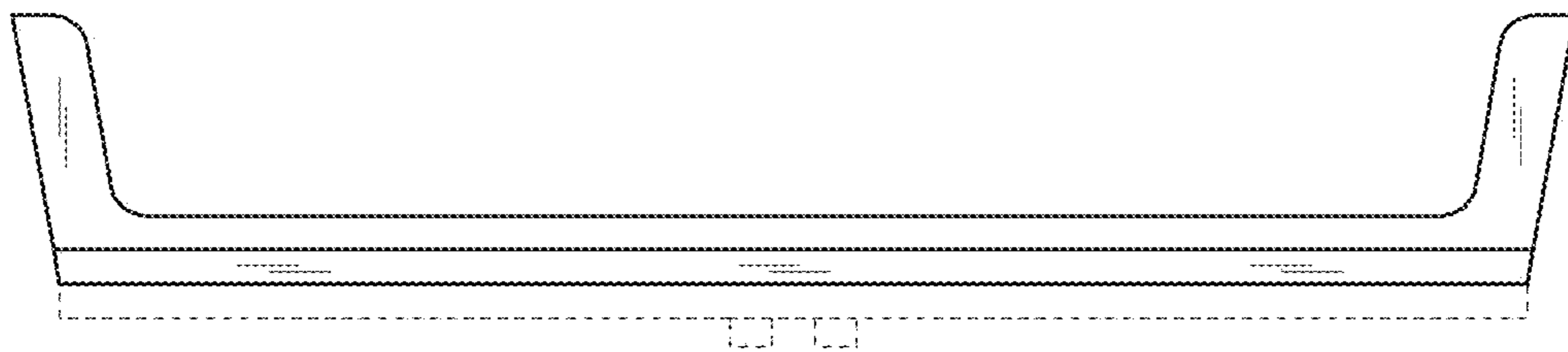


Fig. 5

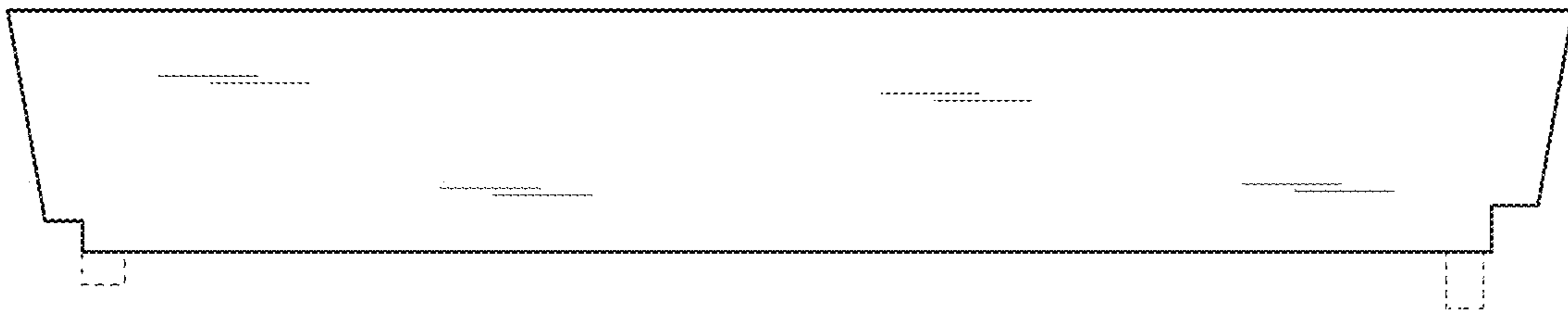


Fig. 6

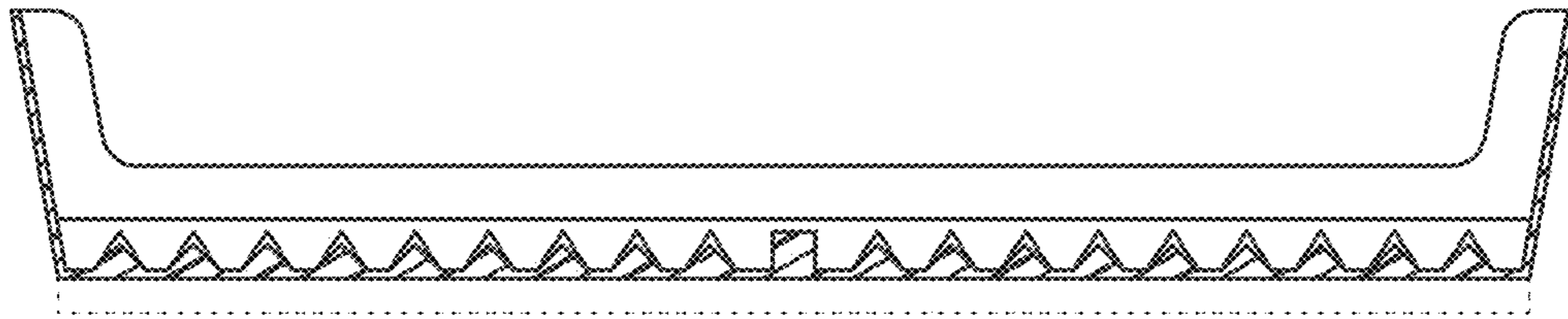


Fig. 7

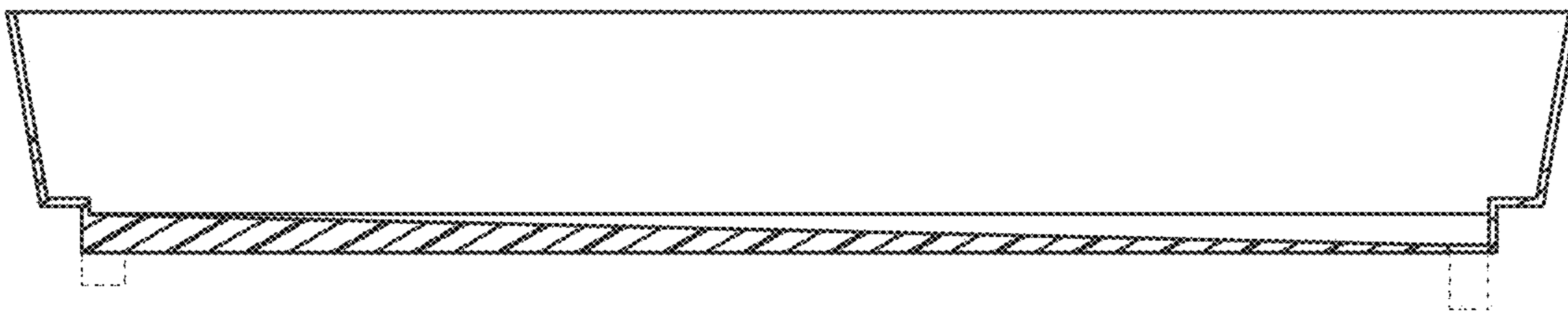


Fig. 8