



US00D891979S

(12) **United States Design Patent** (10) **Patent No.:** **US D891,979 S**
Turpin (45) **Date of Patent:** **** Aug. 4, 2020**

(54) **MOUNTAIN CHARM**
(71) Applicant: **Zachariah Turpin**, Jackson, WY (US)
(72) Inventor: **Zachariah Turpin**, Jackson, WY (US)

D766,687 S * 9/2016 Arcomano D8/18
D786,122 S * 5/2017 Jimenez D11/81
D786,123 S * 5/2017 Jimenez D11/81
D812,512 S * 3/2018 Riviere D11/79
D855,486 S * 8/2019 Muller D10/126

(**) Term: **15 Years**

OTHER PUBLICATIONS

(21) Appl. No.: **29/663,352**

Sterling Silver Mountain Range Necklace [Mar. 19, 2020] found online [Mar. 19, 2020] - <https://www.etsy.com/no-en/listing/638252222/sterling-silver-mountain-range-necklace>.*

(22) Filed: **Sep. 14, 2018**

(51) **LOC (12) Cl.** **11-03**

* cited by examiner

(52) **U.S. Cl.**
USPC **D11/99**; D11/96

Primary Examiner — Lakiya G Rogers
Assistant Examiner — John A Voytek
(74) *Attorney, Agent, or Firm* — Salter & Michaelson

(58) **Field of Classification Search**
USPC ... D11/30, 95–100, 101, 105–110, 116, 132,
D11/222, 223, 226, 228, 230, 231, 232,
D11/233, 237, 238, 31, 48, 49; D14/485,
D14/486; D2/883, 884; D8/387
CPC .. A44C 7/00; A44C 7/002; A44B 1/14; A44B
1/00; A44B 1/02; A44B 1/20
See application file for complete search history.

(57) **CLAIM**

The ornamental design for a mountain charm, as shown and described.

DESCRIPTION

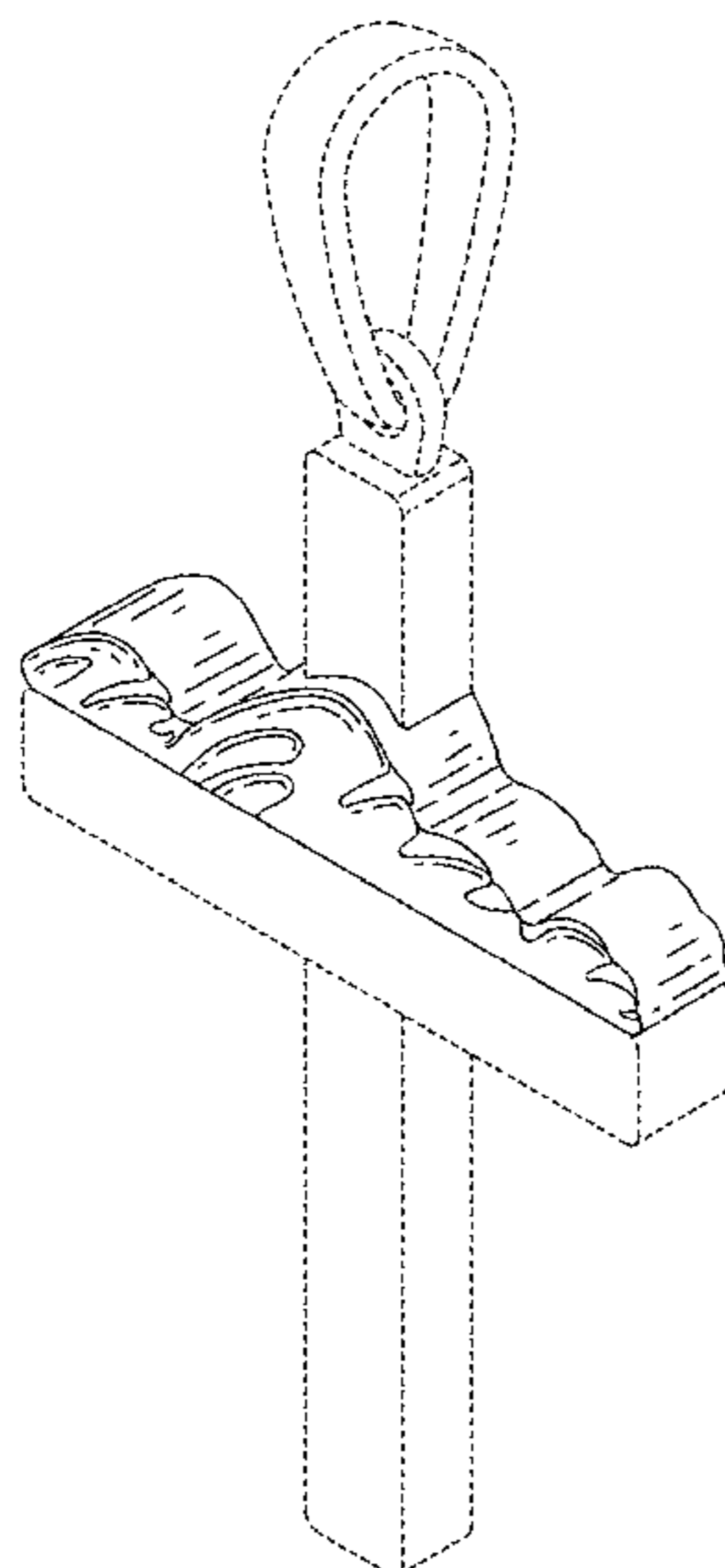
(56) **References Cited**

U.S. PATENT DOCUMENTS

D39,850 S * 3/1909 Bragg D11/99
D149,945 S * 6/1948 Jones D11/112
D149,946 S * 6/1948 Jones D11/112
D250,900 S * 1/1979 Newman D11/96
D268,963 S * 5/1983 Wiman D11/48
D291,940 S * 9/1987 Jureidini D1/120
D318,633 S * 7/1991 Das D11/1
D357,564 S * 4/1995 Roth D1/106
D482,211 S * 11/2003 Berry D6/658
D506,948 S * 7/2005 Gehrke D11/96
D525,163 S * 7/2006 Balch D11/86
D536,636 S * 2/2007 Dobbins D11/133
D557,630 S * 12/2007 Williams D11/133
D569,775 S * 5/2008 Huang D12/197
D580,815 S * 11/2008 Powell D11/96
D609,132 S * 2/2010 Busbee D11/96
D695,489 S * 12/2013 Hachmann D1/106
D725,541 S * 3/2015 Nolan D11/87

FIG. 1 is a perspective view of a second embodiment thereof;
FIG. 2 is a front elevational view of a second embodiment thereof;
FIG. 3 is a rear elevational view of a second embodiment thereof;
FIG. 4 is a left side elevational view of a second embodiment thereof;
FIG. 5 is a right side elevational view of a second embodiment thereof;
FIG. 6 is a top plan view of a second embodiment thereof;
and,
FIG. 7 is a bottom plan view of a second embodiment thereof.
The broken lines shown in the drawing views are included for the purpose of showing environmental structure that forms no part of the claimed design.

1 Claim, 5 Drawing Sheets



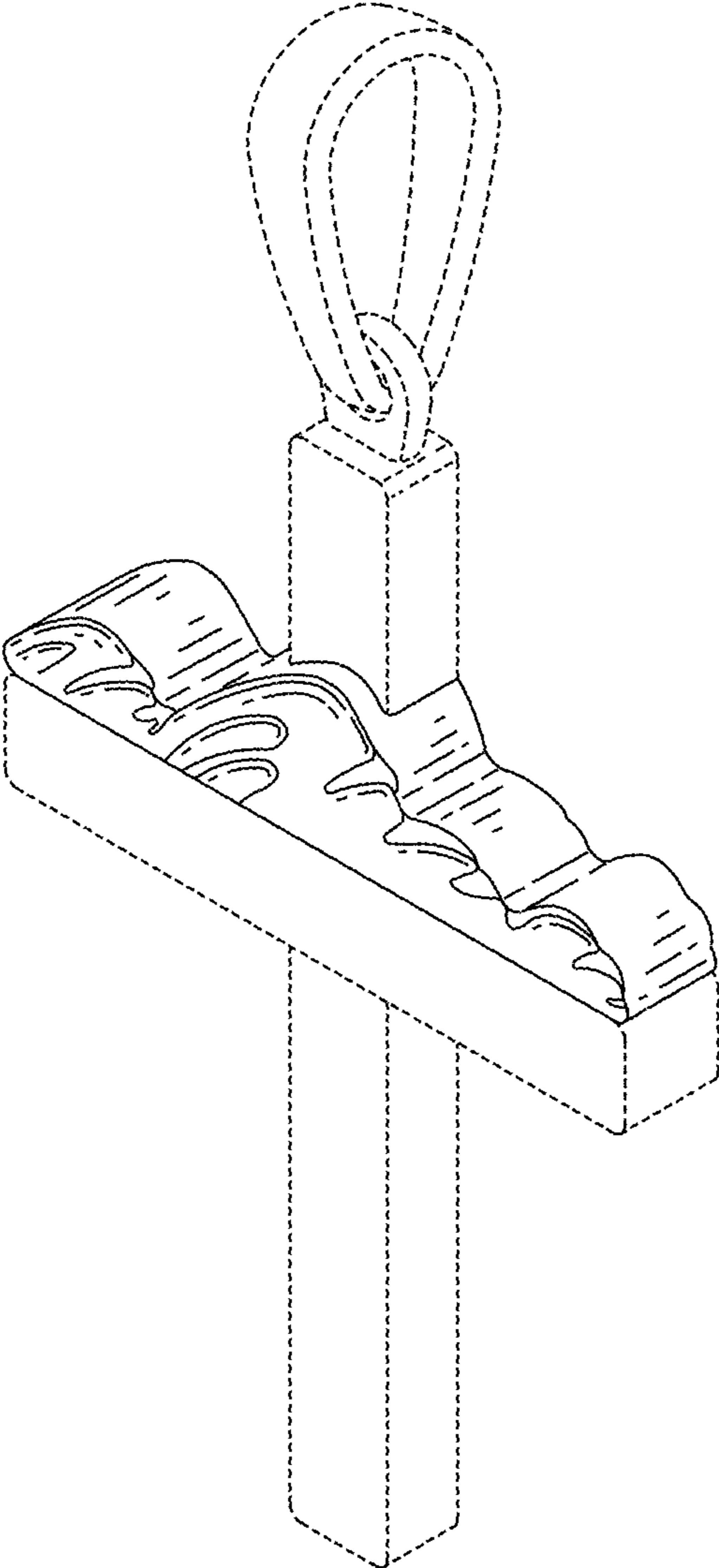


FIG. 1

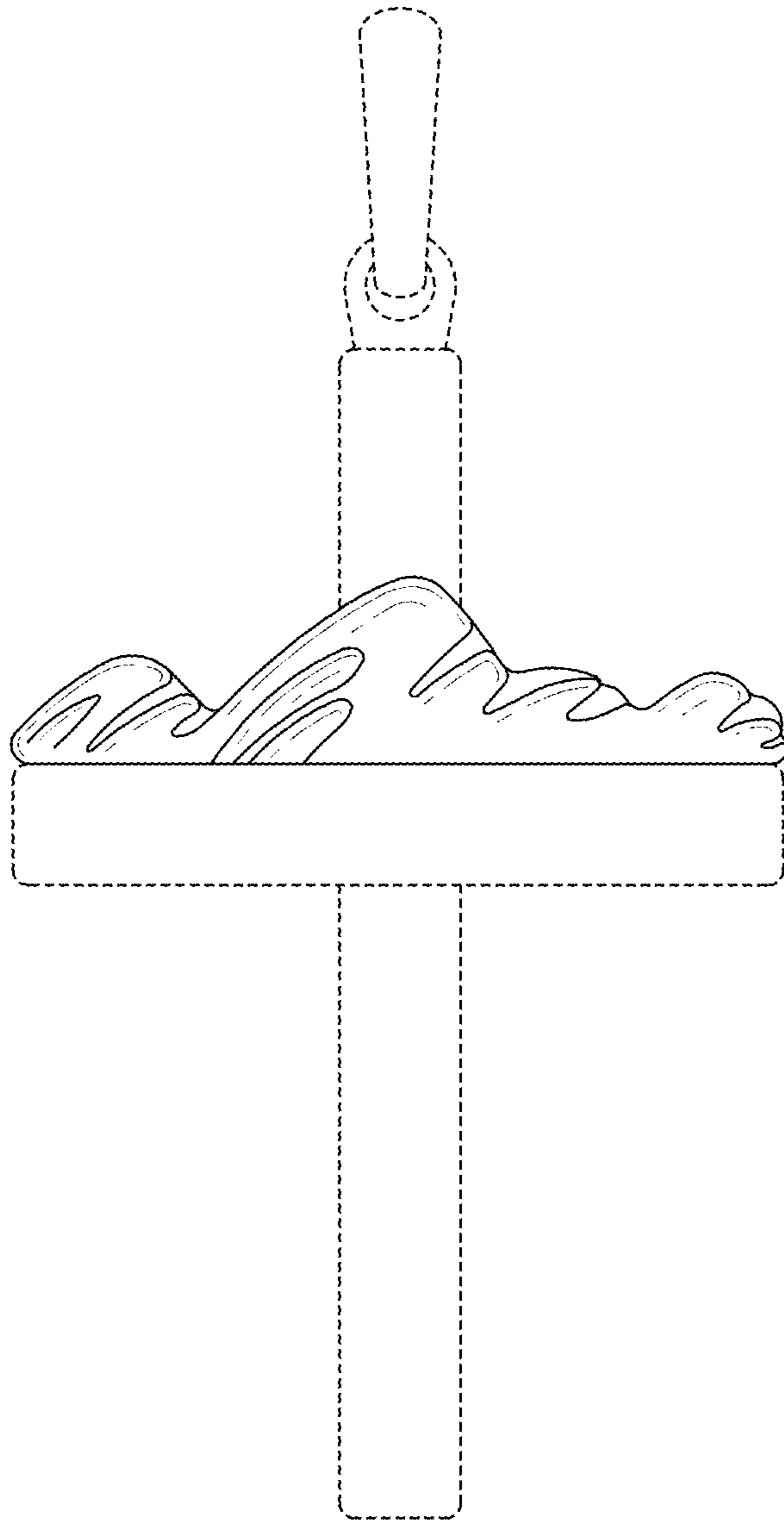


FIG. 2

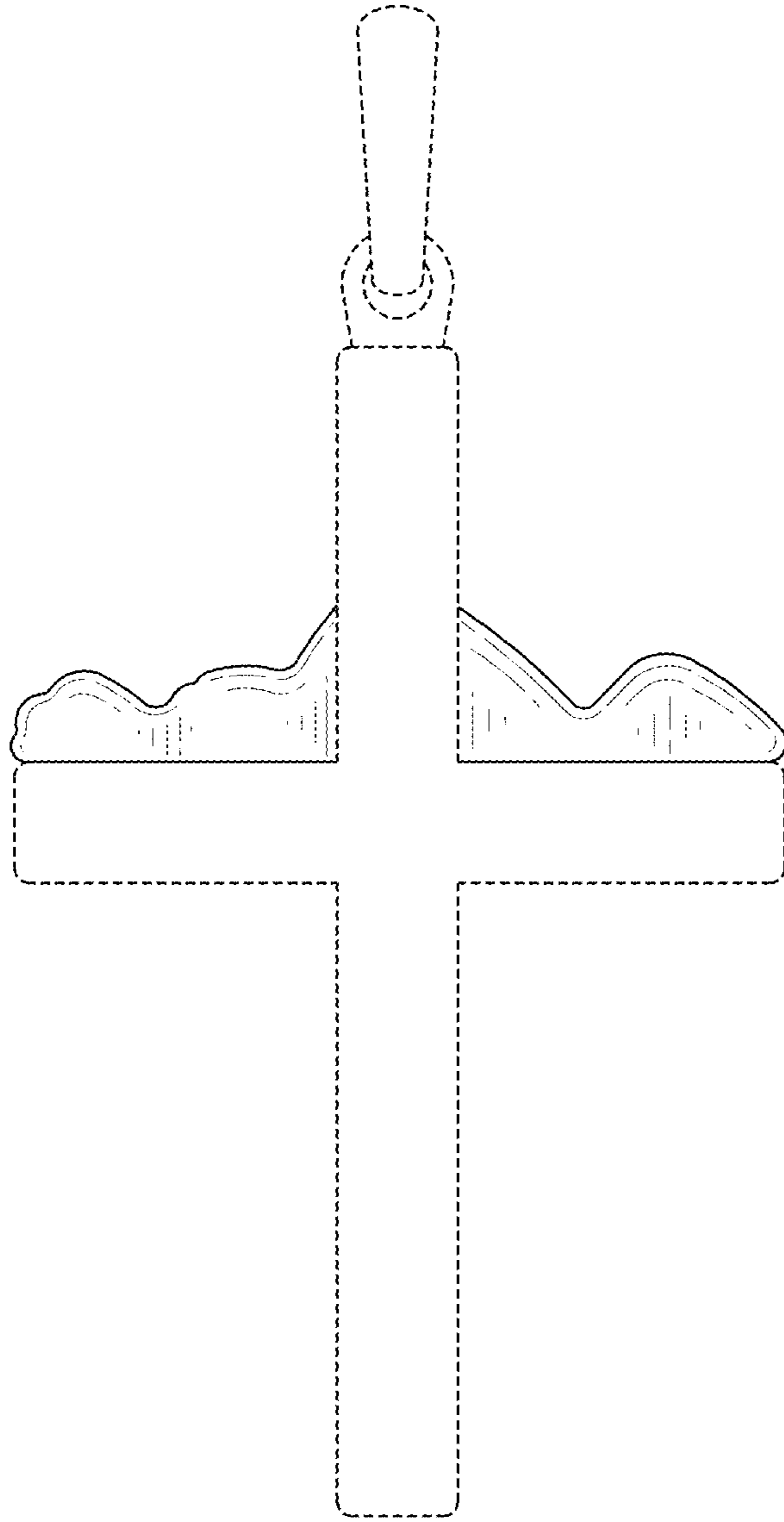


FIG. 3



FIG. 4

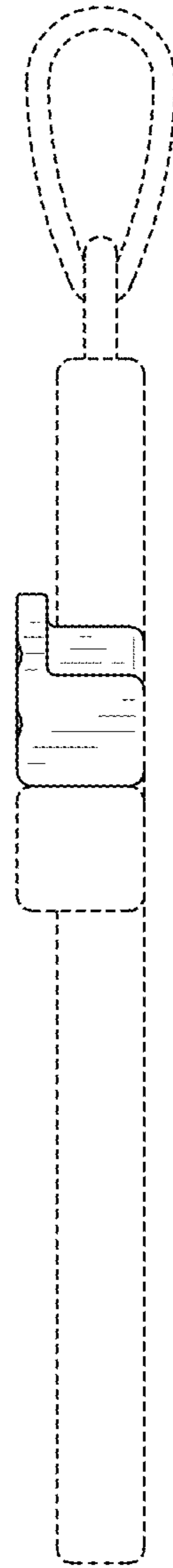


FIG. 5

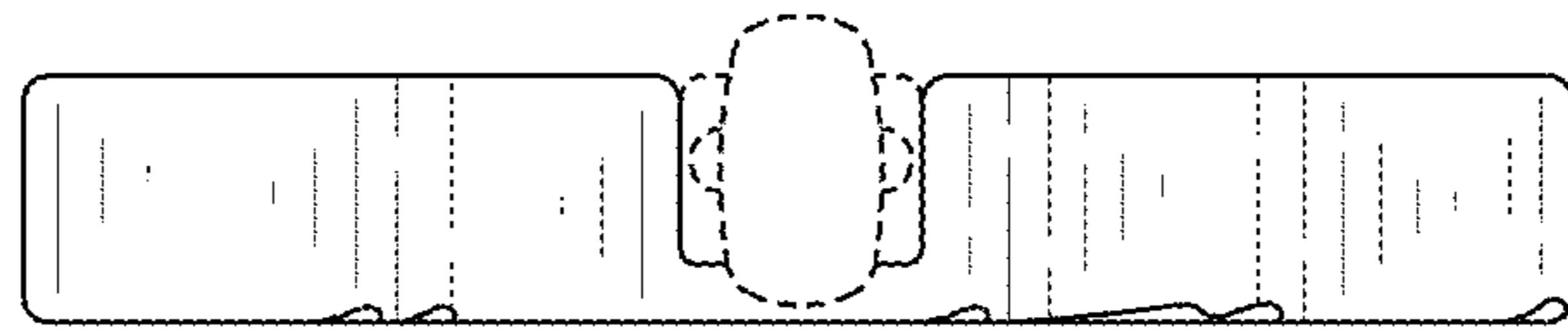


FIG. 6

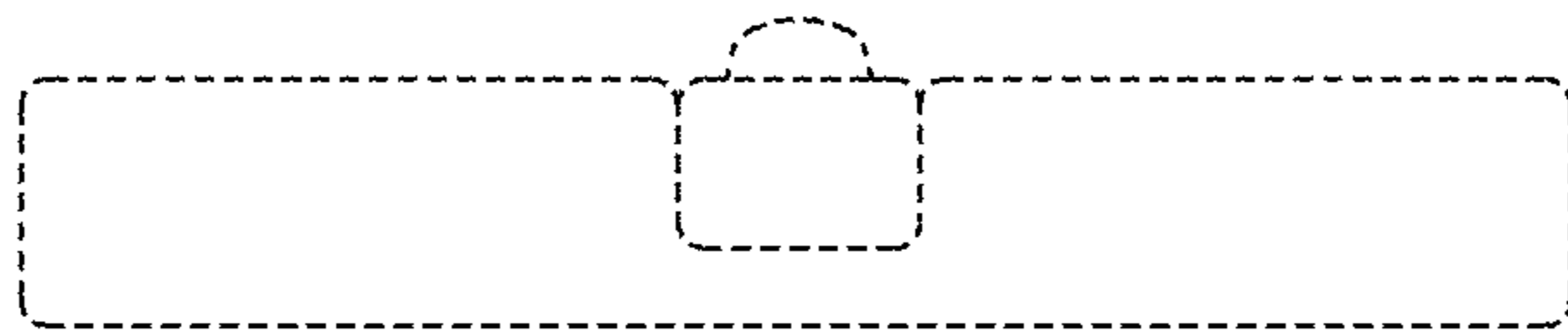


FIG. 7