



US00D891978S

(12) **United States Design Patent** (10) **Patent No.:** **US D891,978 S**
Shah (45) **Date of Patent:** **** Aug. 4, 2020**

(54) **PRECIOUS STONE SETTING**
(71) Applicant: **KGS Jewels Inc.**, New York, NY (US)
(72) Inventor: **Pranav Shah**, New York, NY (US)
(73) Assignee: **KGS JEWELS INC.**, New York, NY (US)
(**) Term: **15 Years**
(21) Appl. No.: **29/656,883**
(22) Filed: **Jul. 17, 2018**
(51) **LOC (12) Cl.** **11-01**
(52) **U.S. Cl.**
USPC **D11/92**
(58) **Field of Classification Search**
USPC D11/26–29, 34, 35, 40–43, 89–92
CPC A44C 17/00; A44C 17/001; A44C 17/005;
A44C 17/02; A44C 17/0208; A44C
17/0216; A44C 17/0233; A44C 17/0258;
A44C 17/0266; A44C 17/0275; A44C
17/0283; A44C 17/0291; A44C 25/00;
A44C 25/001; A44C 25/007; A44C 1/00;
A44C 15/001; A44C 15/0035; A44C
7/00; A44C 7/001; A44C 9/00
See application file for complete search history.

D549,128 S * 8/2007 Kothari D11/91
D549,612 S * 8/2007 Kothari A44C 17/046
D11/91
7,461,452 B1 * 12/2008 Kothari A44C 17/046
D11/92
D584,184 S * 1/2009 Dholakiya D11/91
D587,159 S * 2/2009 Dholakiya D11/91
7,707,722 B1 * 5/2010 Kothari A44C 17/04
D11/34
D642,087 S * 7/2011 Kothari D11/91
D647,423 S * 10/2011 Khimavat D11/40
D647,817 S * 11/2011 Kothari D11/40
D648,650 S * 11/2011 Roehl D11/91
D655,219 S * 3/2012 Kothari D11/40
D666,522 S * 9/2012 Dholakiya D11/34
D666,523 S * 9/2012 Dholakiya D11/34
D672,270 S * 12/2012 Wong D11/91
D674,315 S * 1/2013 Dholakiya D11/40
D674,316 S * 1/2013 Dholakiya D11/34
D676,352 S * 2/2013 Dholakiya D11/40
D676,785 S * 2/2013 Kothari D11/40
D677,599 S * 3/2013 Dholakiya D11/91
D680,898 S * 4/2013 Dholakiya D11/40
D682,139 S * 5/2013 Kothari D11/40
D688,587 S * 8/2013 Nevatia D11/40

(Continued)

Primary Examiner — Llorelys Martinez
(74) Attorney, Agent, or Firm — Ostrolenk Faber LLP

(57) **CLAIM**

The ornamental design for a precious stone setting, as shown and described.

DESCRIPTION

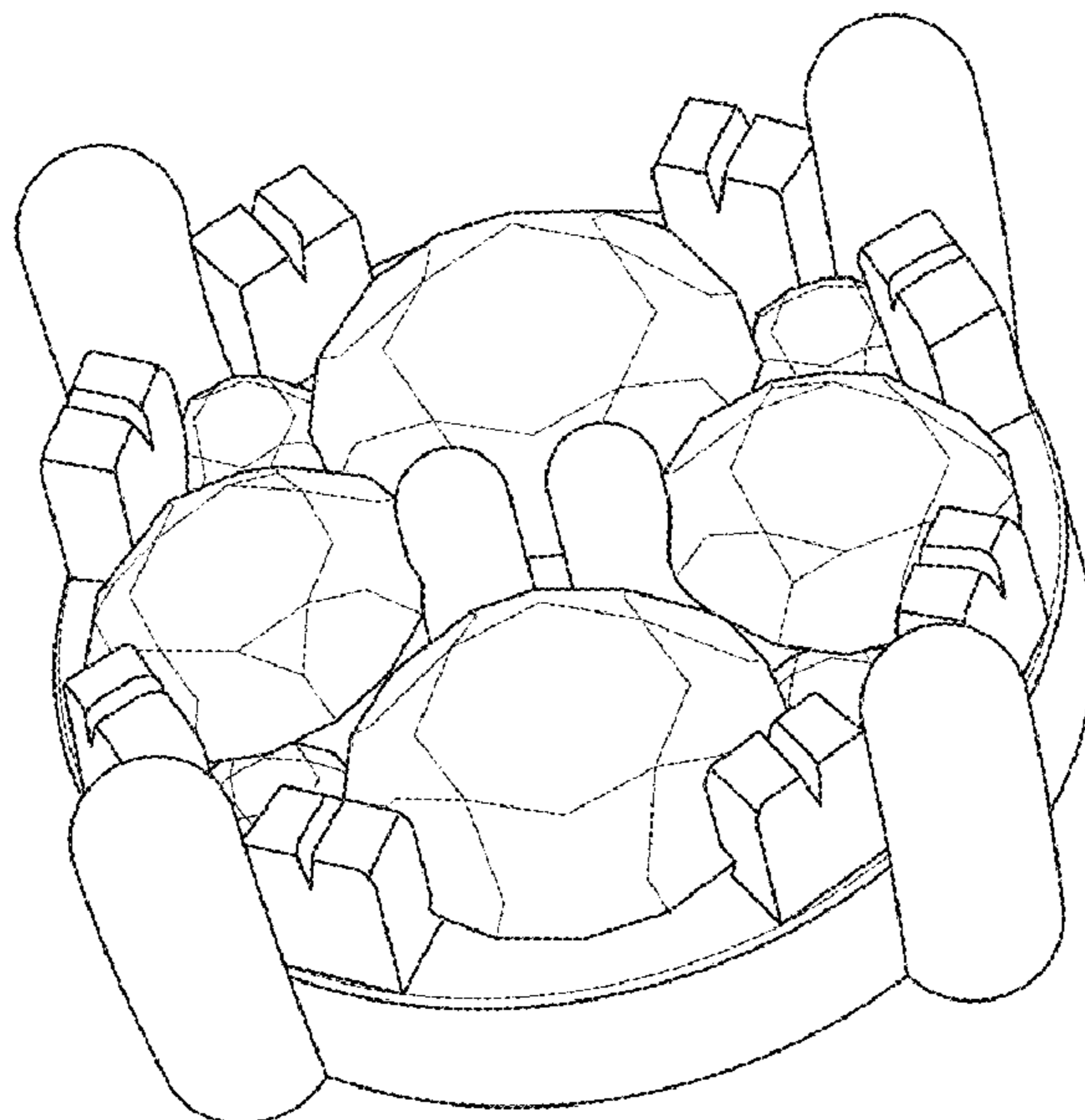
FIG. 1 is a perspective view of a precious stone setting showing my new design;
FIG. 2 is a top view of FIG. 1;
FIG. 3 is a front view of FIG. 1, the rear view being symmetrical thereto; and,
FIG. 4 is a right side view of FIG. 1, the left side view being symmetrical thereto.

1 Claim, 1 Drawing Sheet

(56) **References Cited**

U.S. PATENT DOCUMENTS

D191,757 S * 11/1961 Jacobi et al. D11/89
D410,407 S * 6/1999 Tirakian D11/92
D422,935 S * 4/2000 Chan D11/92
D453,908 S * 2/2002 Kaplan D11/91
D454,090 S * 3/2002 Kaplan D11/91
D460,017 S * 7/2002 Chan D11/91
D481,328 S * 10/2003 Chia D11/91
D505,092 S * 5/2005 Kothari D11/91
D544,809 S * 6/2007 Shah D11/91



(56)

References Cited

U.S. PATENT DOCUMENTS

D712,302 S *	9/2014	Dholakiya	D11/91
D712,303 S *	9/2014	Dholakiya	D11/91
D714,182 S *	9/2014	Doran	D11/92
D824,799 S *	8/2018	Sallard	D11/91
D840,866 S *	2/2019	Parikh	D11/91
D851,537 S *	6/2019	Shah	D11/92
D852,084 S *	6/2019	Ho	D11/92
D858,343 S *	9/2019	Shah	D11/91
2019/0008244 A1 *	1/2019	Rutgerson	A44C 17/02

* cited by examiner

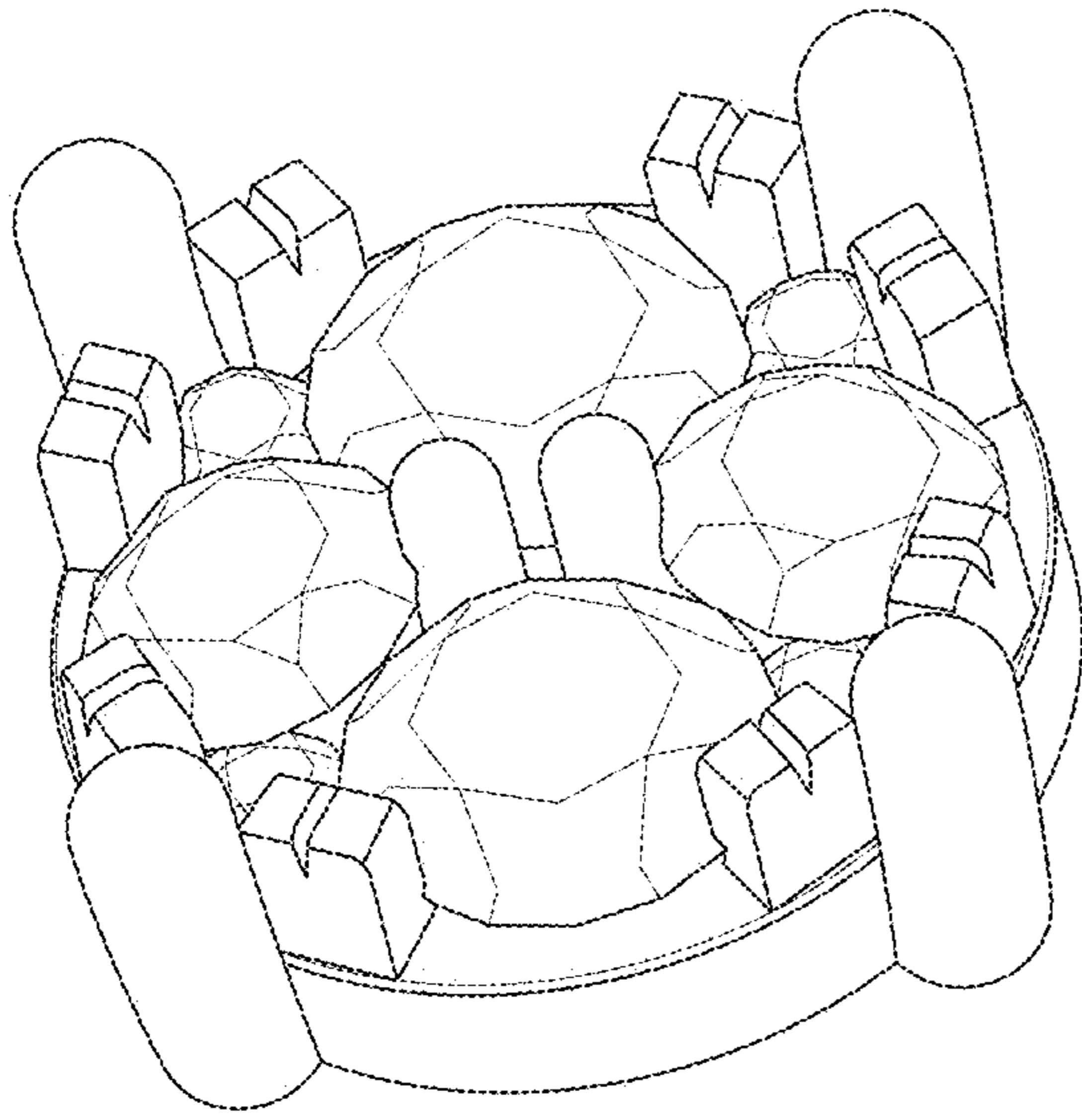


FIG. 1

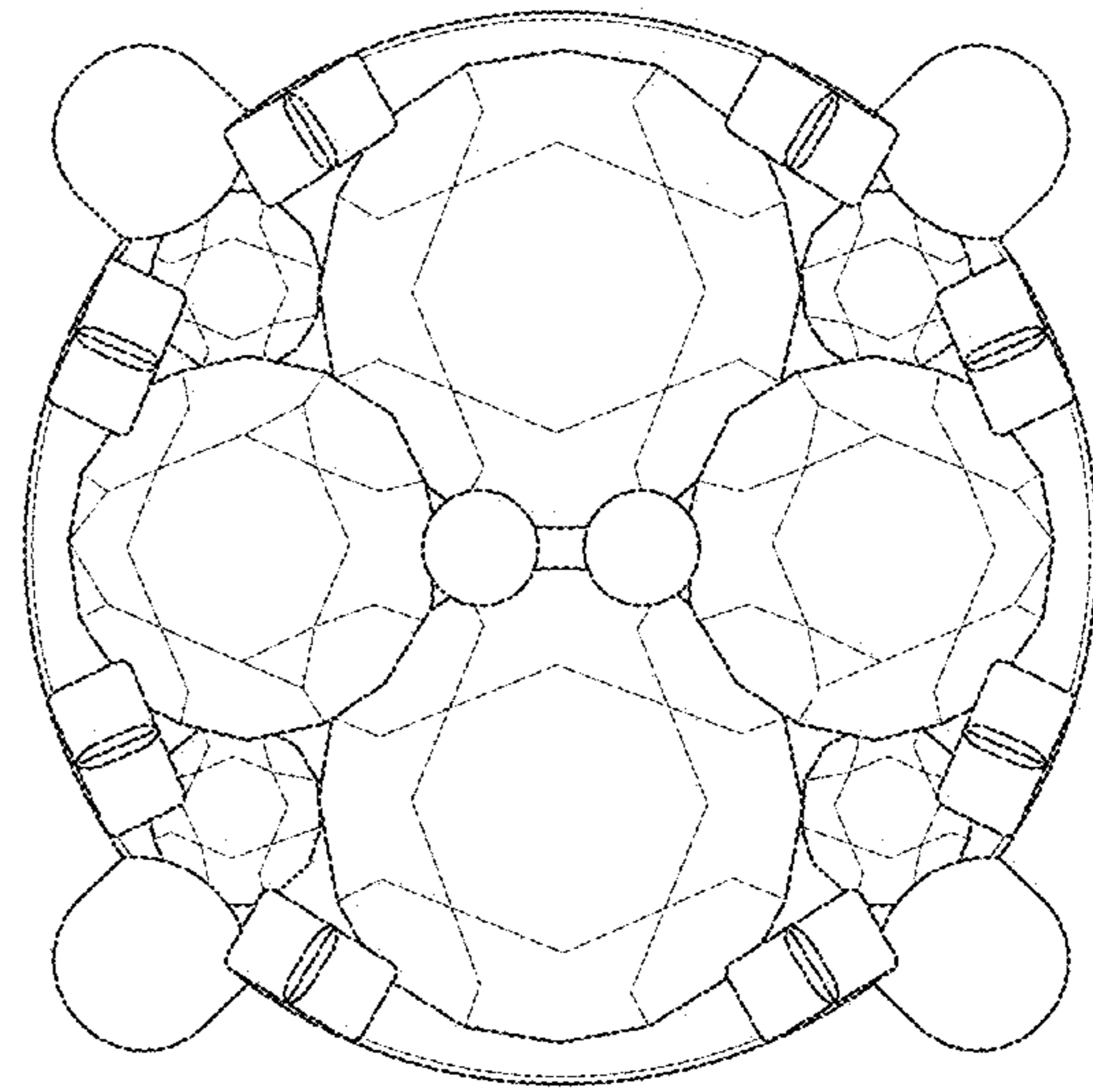


FIG. 2

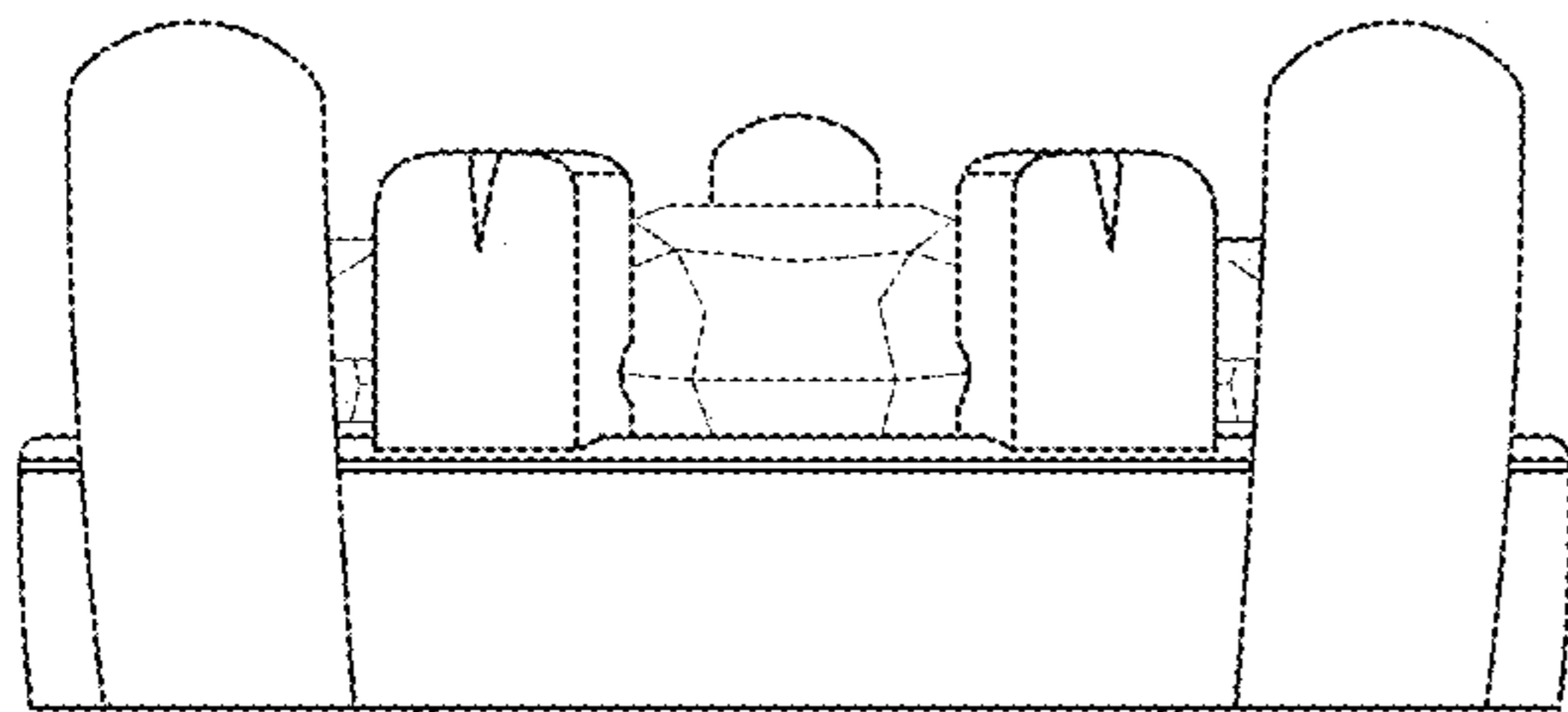


FIG. 3

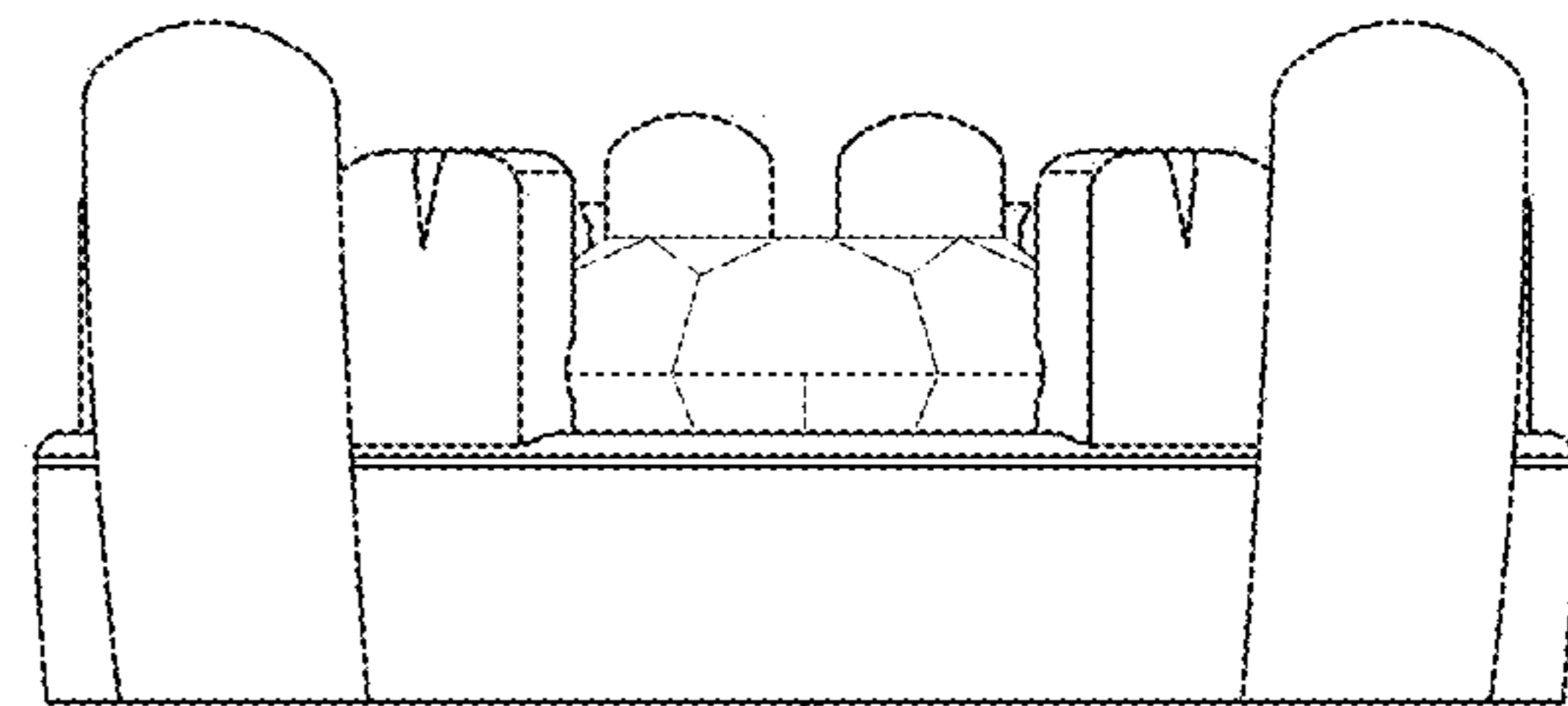


FIG. 4