



US00D891977S

(12) **United States Design Patent**
Dholakiya

(10) **Patent No.:** **US D891,977 S**

(45) **Date of Patent:** **** Aug. 4, 2020**

(54) **PRECIOUS STONE JEWELRY SETTING**

(71) Applicant: **H.K. Designs Inc.**, New York, NY (US)

(72) Inventor: **Hasmukh H. Dholakiya**, New York, NY (US)

(73) Assignee: **H. K. DESIGNS INC.**, New York, NY (US)

(**) Term: **15 Years**

(21) Appl. No.: **29/604,915**

(22) Filed: **May 22, 2017**

(51) **LOC (12) Cl.** **11-01**

(52) **U.S. Cl.**
USPC **D11/91**

(58) **Field of Classification Search**
USPC D11/79, 91-92, 1, 2, 34-36, 43
CPC A44C 1/00; A44C 17/00; A44C 17/001;
A44C 17/002; A44C 17/005; A44C
17/006; A44C 17/007; A44C 17/008;
A44C 17/02; A44C 17/0208; A44C
17/0241; A44C 17/04; A44C 25/00; A44C
25/001; A44C 25/007; A44C 15/0045;
A44C 15/005; A44C 15/0055

See application file for complete search history.

(56) **References Cited**

U.S. PATENT DOCUMENTS

- 6,389,846 B1 * 5/2002 Siebenberg A44C 17/02
63/26
- 6,442,971 B1 * 9/2002 Gurevich A44C 17/002
63/26
- D473,812 S * 4/2003 Itzkowitz D11/36
- D561,637 S * 2/2008 Barin D11/91
- D676,349 S * 2/2013 Papadimitriou D11/43
- D676,781 S * 2/2013 Papadimitriou D11/79
- D684,085 S * 6/2013 Papadimitriou D11/42
- D766,123 S * 9/2016 Wachtmeister D11/34
- D860,036 S * 9/2019 Dholakiya D11/91

- 2003/0221453 A1 * 12/2003 Turpanjian A44C 17/02
63/27
- 2013/0160489 A1 * 6/2013 Arjang A44C 17/0208
63/1.12
- 2013/0227989 A1 * 9/2013 Kothari A44C 17/02
63/28
- 2015/0075217 A1 * 3/2015 Disinger A44C 15/0015
63/1.11

(Continued)

OTHER PUBLICATIONS

Floating Diamond Letter Pendant, Garlandcollection.com, acquired on Feb. 1, 2020, online. Site URL: <<“https://www.garlandcollection.com/fine-jewelry/necklaces/floating-diamond-letter-pendant”>> (Year: 2020).*

Primary Examiner — Llorellys Martinez

(74) *Attorney, Agent, or Firm* — Ostrolenk Faber LLP

(57) **CLAIM**

The ornamental design for a precious stone jewelry setting, as shown and described.

DESCRIPTION

FIG. 1 is a perspective of the precious stone jewelry setting of the present invention.

FIG. 2 is a front view of the precious stone jewelry setting of FIG. 1.

FIG. 3 is a rear perspective of the precious stone jewelry setting of FIG. 1.

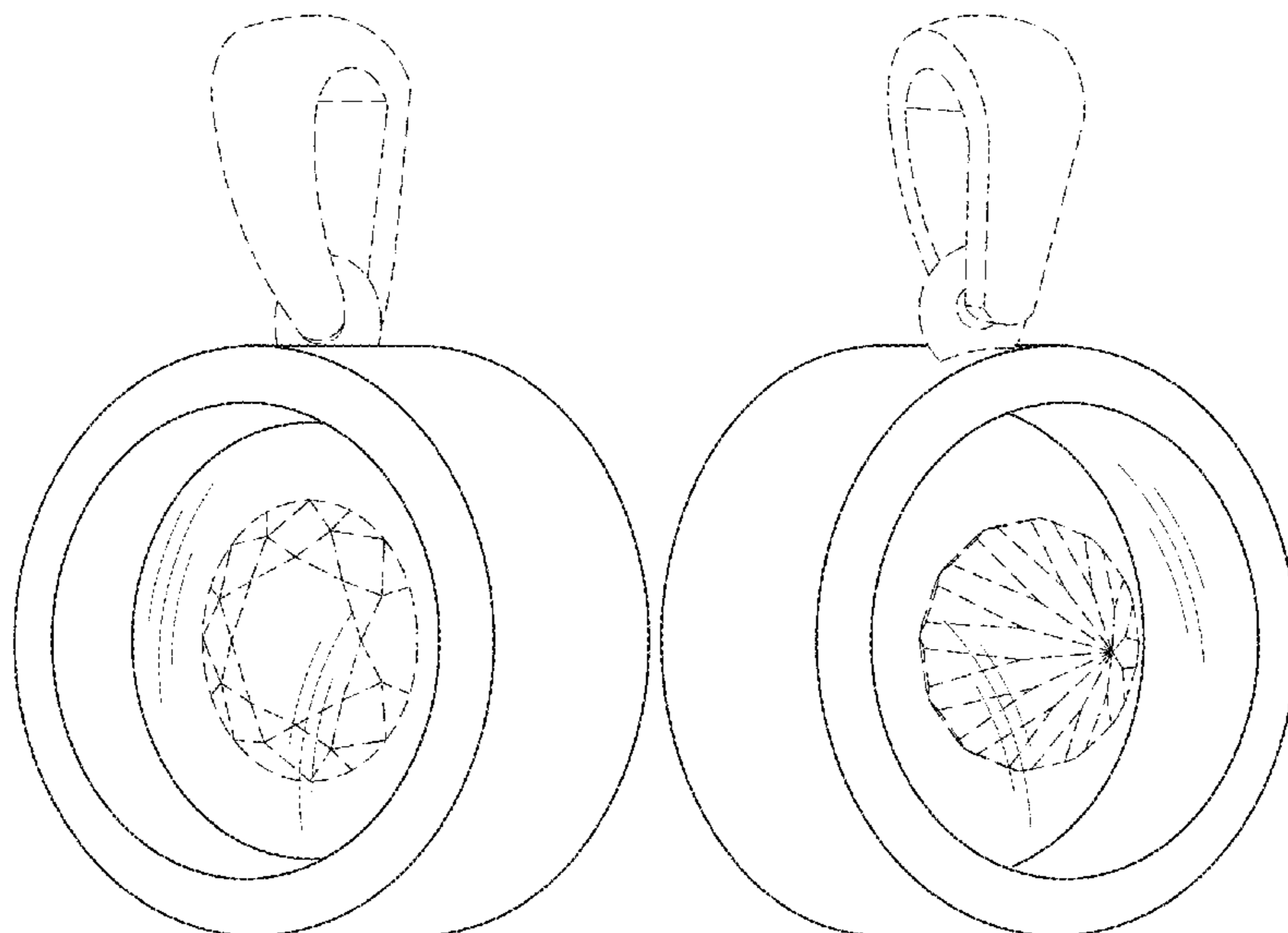
FIG. 4 is a right side elevational view of FIG. 1, the left side being symmetrical.

FIG. 5 is a cross-sectional view thereof, taken along lines 5-5 in FIG. 4; and,

FIG. 6 is a rear view of FIG. 1.

The broken lines in the drawings illustrate portions of the precious stone jewelry setting that form no part of the claimed design.

1 Claim, 6 Drawing Sheets



(56)

References Cited

U.S. PATENT DOCUMENTS

2018/0000208 A1* 1/2018 Bove A44C 17/0291
2018/0307050 A1* 10/2018 Dholakiya G02B 1/14

* cited by examiner

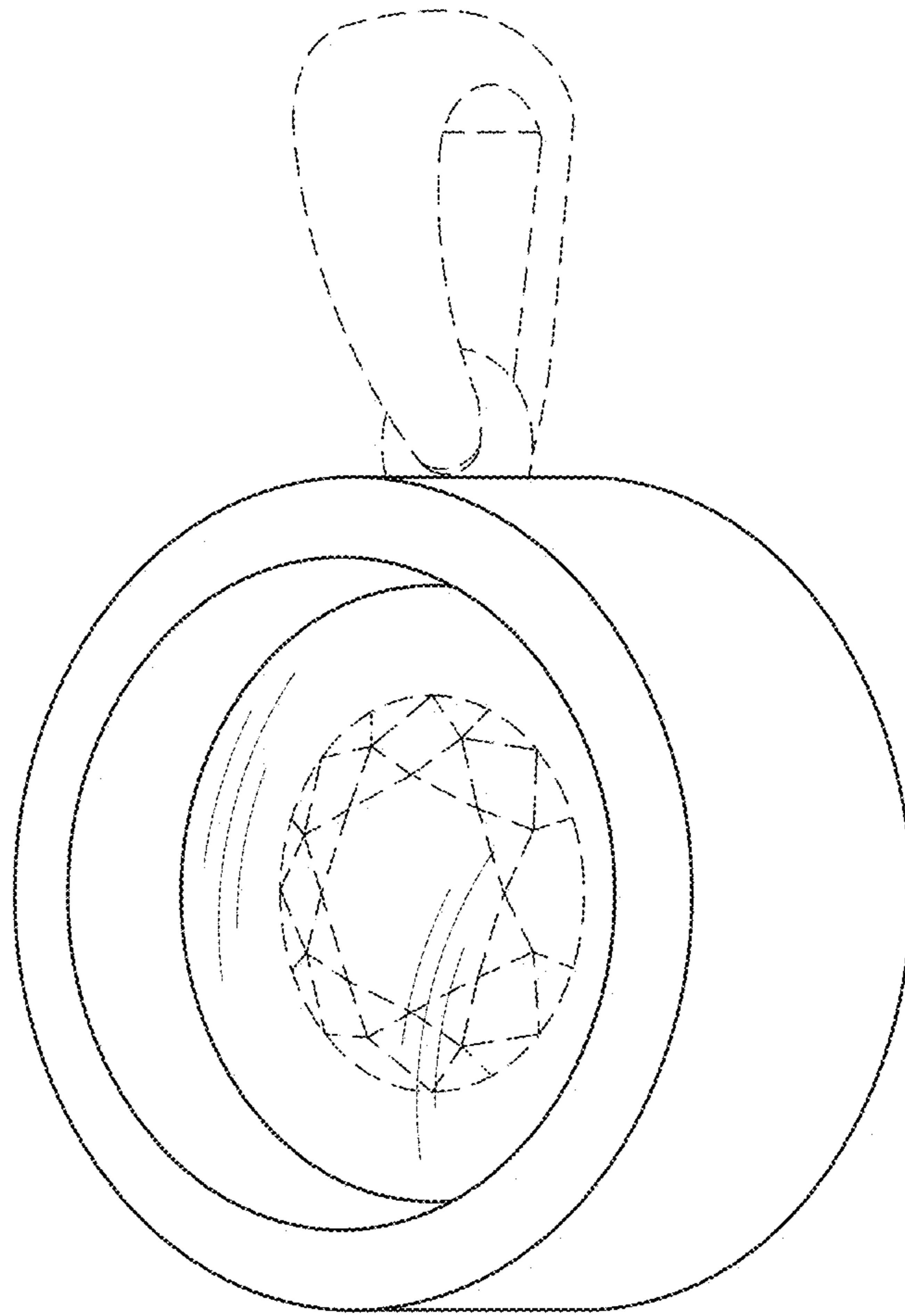


FIG. 1

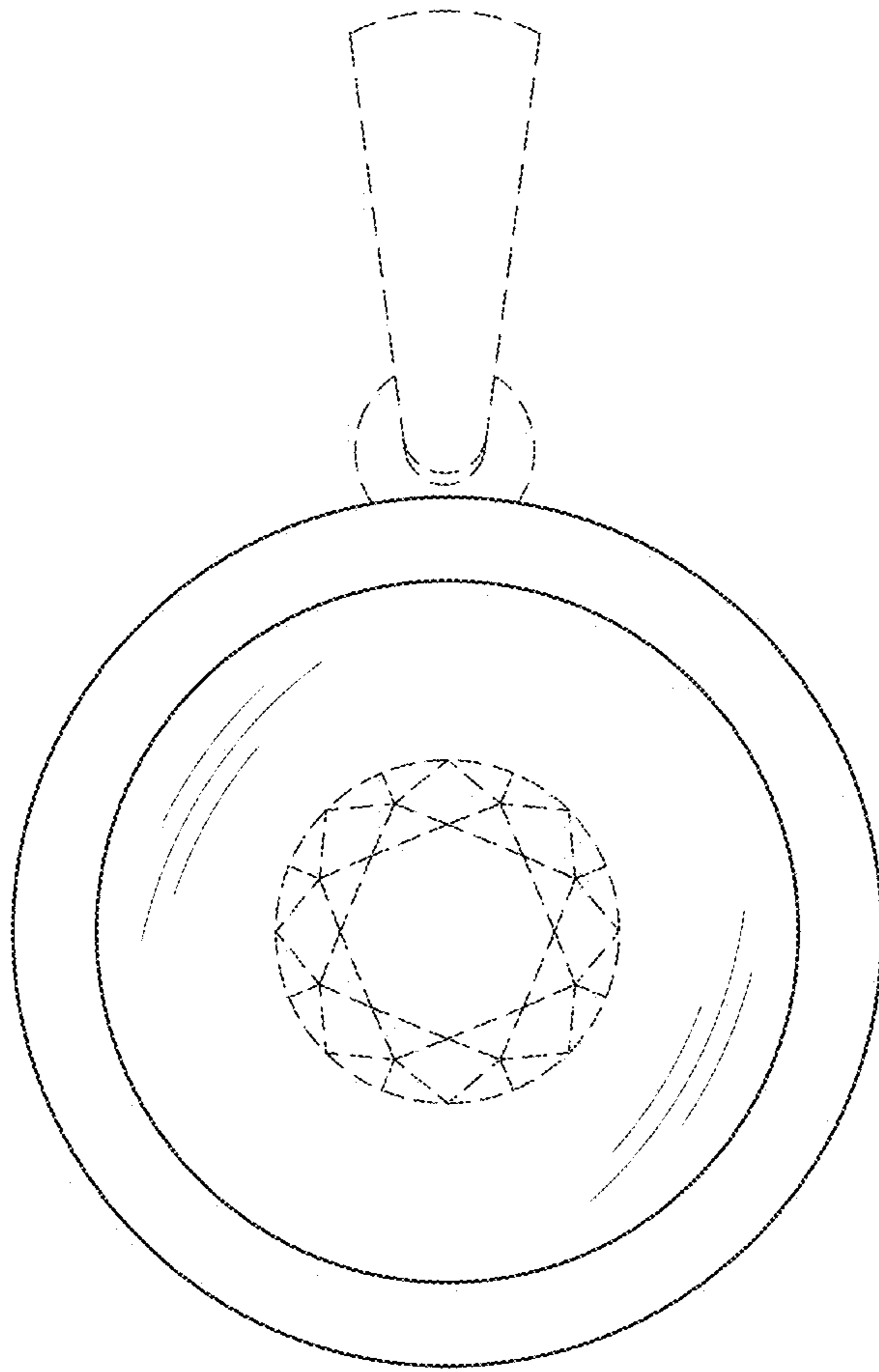


FIG. 2

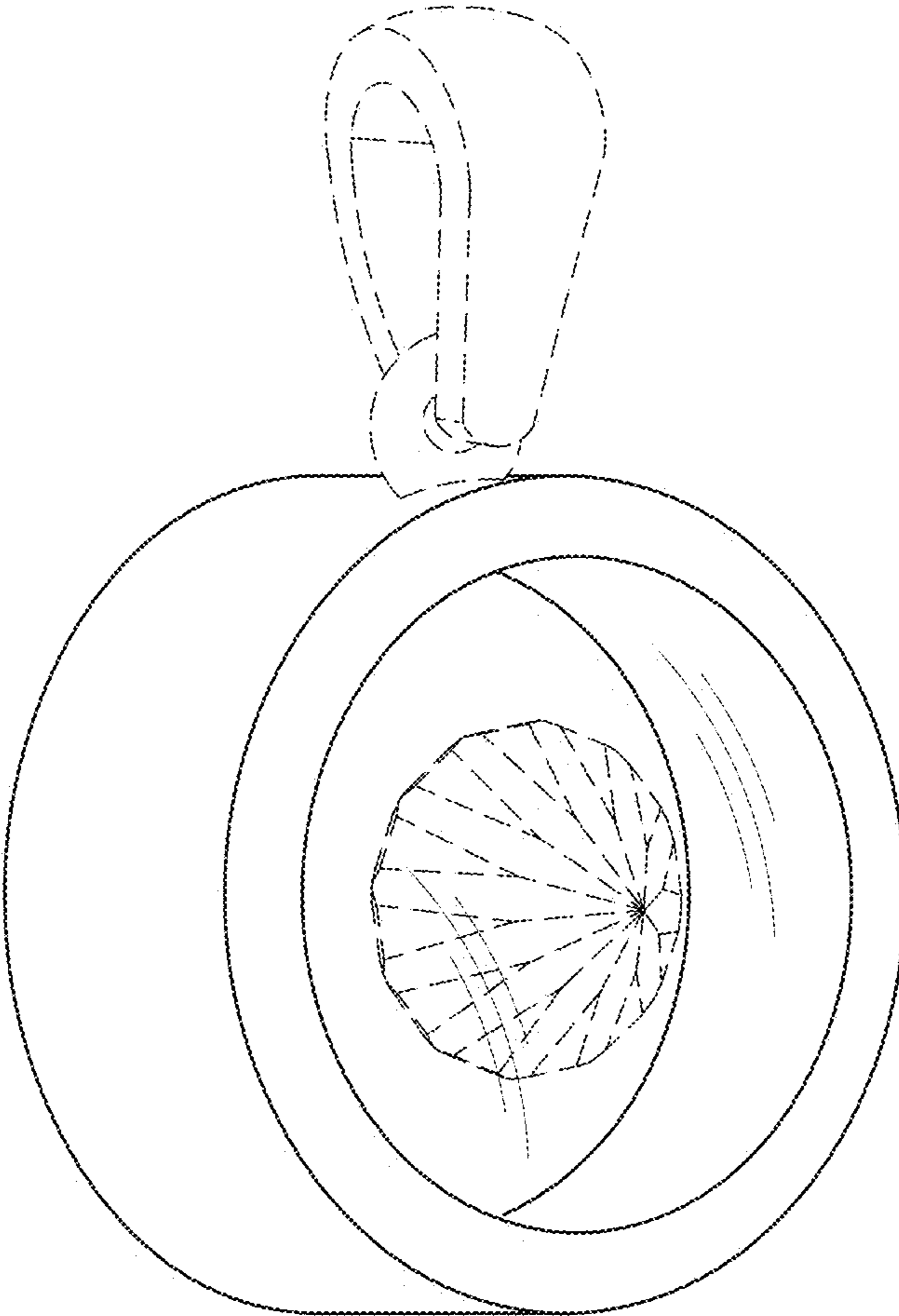


FIG. 3

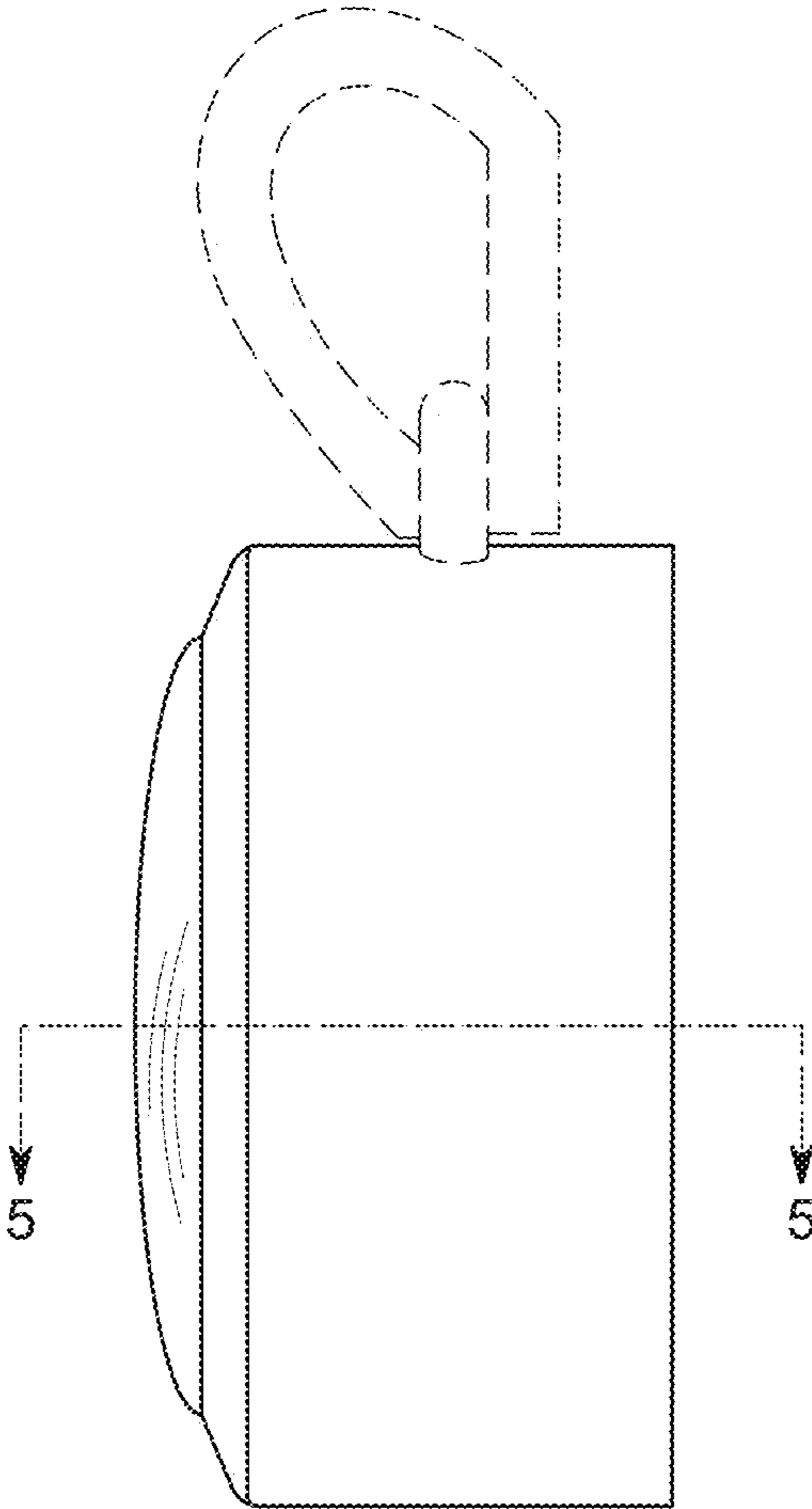


FIG. 4

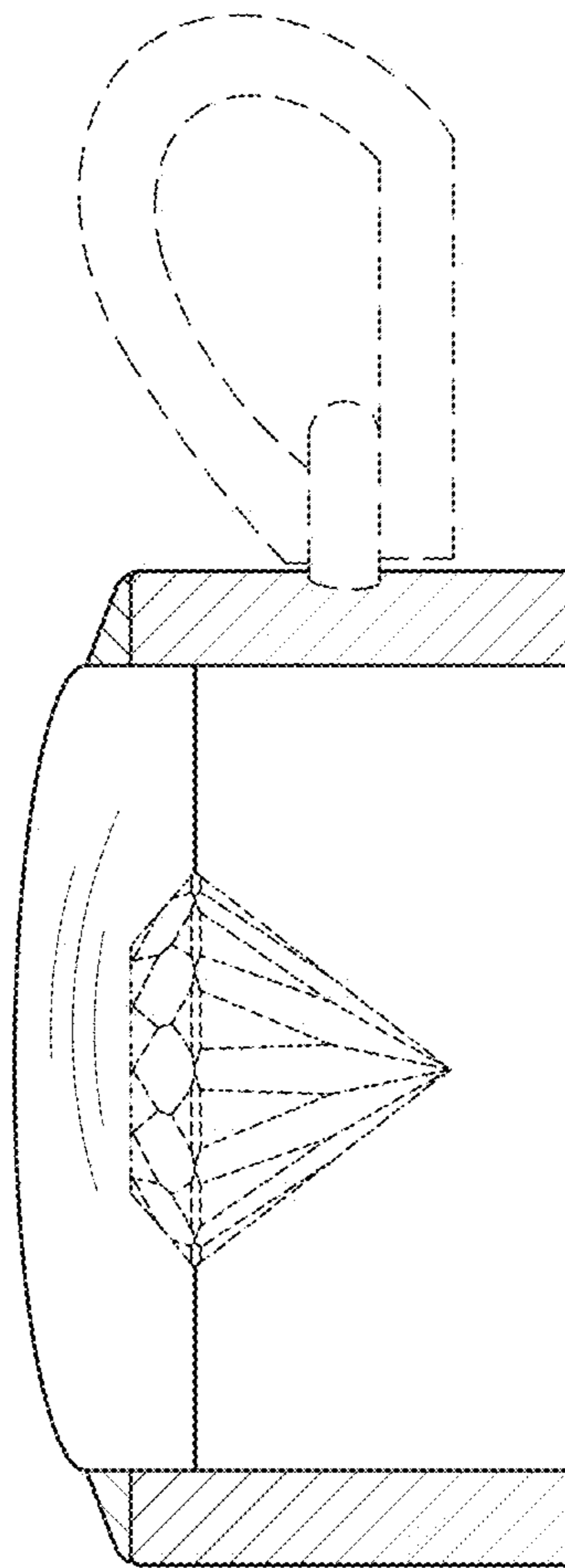


FIG. 5

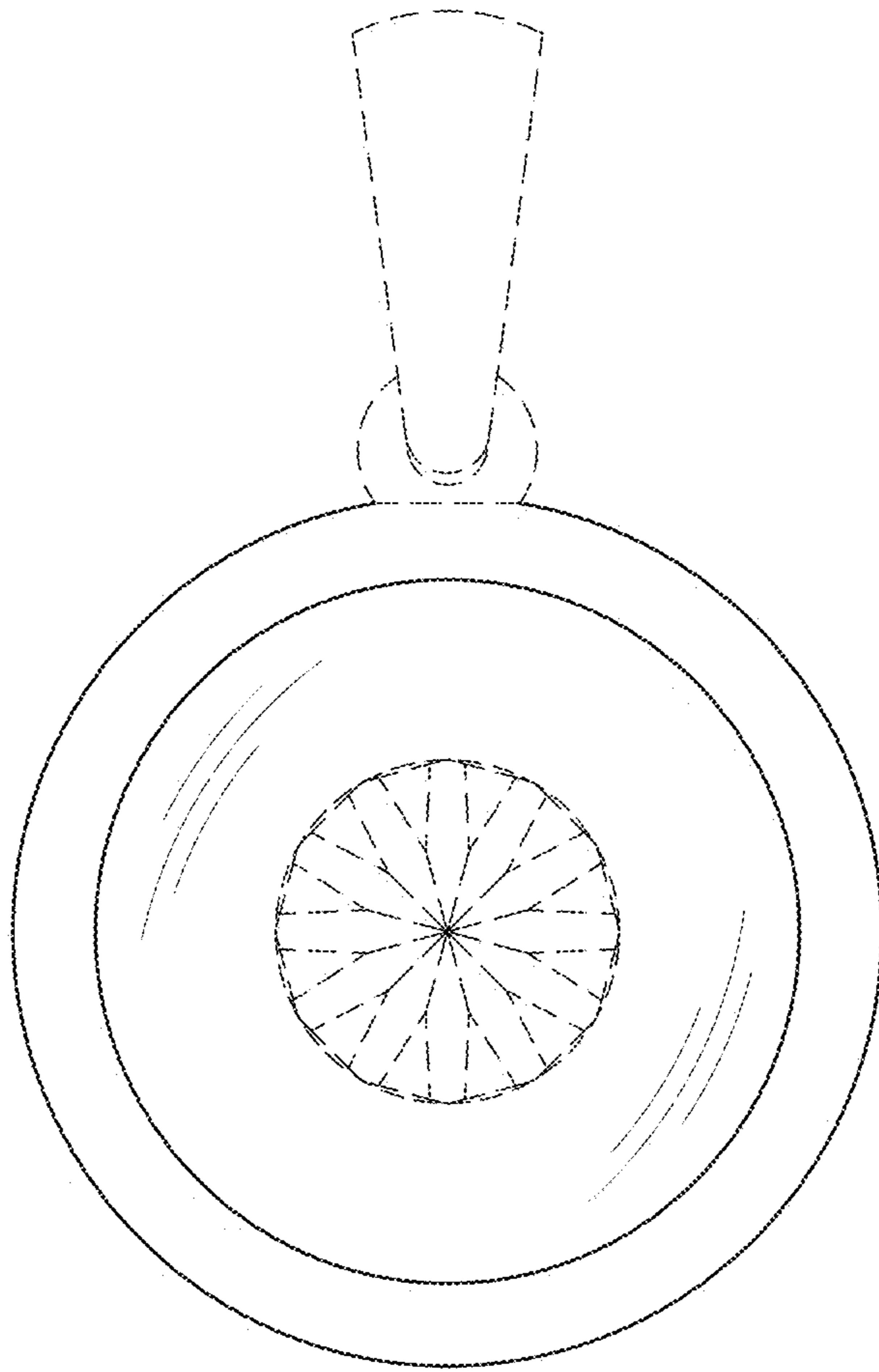


FIG. 6