



US00D891975S

(12) **United States Design Patent** (10) **Patent No.:** **US D891,975 S**
Drossman (45) **Date of Patent:** **** Aug. 4, 2020**

(54) **EARRING BACK**
(71) Applicant: **Andrew Michael Drossman**, Old Bethpage, NY (US)
(72) Inventor: **Andrew Michael Drossman**, Old Bethpage, NY (US)
(**) Term: **15 Years**

D702,149 S 4/2014 Carniani
D705,693 S * 5/2014 Thompson D11/41
D708,542 S * 7/2014 Smith D11/56
8,850,674 B1 10/2014 Schechter et al.
D727,778 S 4/2015 Levinson et al.
9,198,486 B2 12/2015 Levinson et al.
D747,665 S * 1/2016 Hooper D11/40
9,226,552 B1 1/2016 Makhoulia et al.
9,295,309 B1 3/2016 Makhoulia et al.
D753,015 S * 4/2016 Crafton D11/86
9,462,858 B2 10/2016 Levinson et al.

(Continued)

(21) Appl. No.: **29/637,076**

(22) Filed: **Feb. 13, 2018**

(51) **LOC (12) Cl.** **11-01**

(52) **U.S. Cl.**
USPC **D11/88**

(58) **Field of Classification Search**
USPC D11/1, 26, 27, 30, 40-44, 56, 79, 81, D11/86-88, 103
CPC A44C 7/003; A44C 7/004; A44C 7/005; A44C 7/006; A44C 7/007; A44C 7/008
See application file for complete search history.

(56) **References Cited**

U.S. PATENT DOCUMENTS

3,630,048 A 12/1971 Masters
D265,895 S 8/1982 Barr
4,382,317 A * 5/1983 McDonald A44C 7/003
24/705
4,408,375 A 10/1983 Skobel
D273,472 S * 4/1984 Goldstein D11/75
D273,532 S * 4/1984 Autry D3/21
4,580,417 A * 4/1986 Sardelli A44C 7/003
24/705
4,630,453 A 12/1986 Burkett
5,513,502 A 5/1996 Seaton, Jr.
5,537,841 A 7/1996 Bradvica
D390,151 S 2/1998 Blum et al.
5,906,114 A 5/1999 Rissin
6,058,581 A * 5/2000 Ehrlund A44C 7/003
24/574.1
D461,140 S 8/2002 Benhamou
6,571,579 B1 6/2003 Rissin
7,818,852 B2 10/2010 Van der Gref

OTHER PUBLICATIONS

Luxury Earring Lifters Backs (available online) Retrieved from the internet Apr. 22, 2020 from URL: https://www.etsy.com/listing/779749304/luxury-earring-lifters-backs-925?gpla=1&gao=1&utm_source=google&utm_medium=cpc&utm_campaign=shopping_us_d-jewelry-earrings-stud_earrings&utm_custom1=7c25cfb9-0f46-4dd5-9130-fff72b.*

(Continued)

Primary Examiner — Kevin K Rudzinski
Assistant Examiner — Richard Kearney
(74) *Attorney, Agent, or Firm* — Entralta P.C.; Justin G. Sanders; Peter D. Weinstein

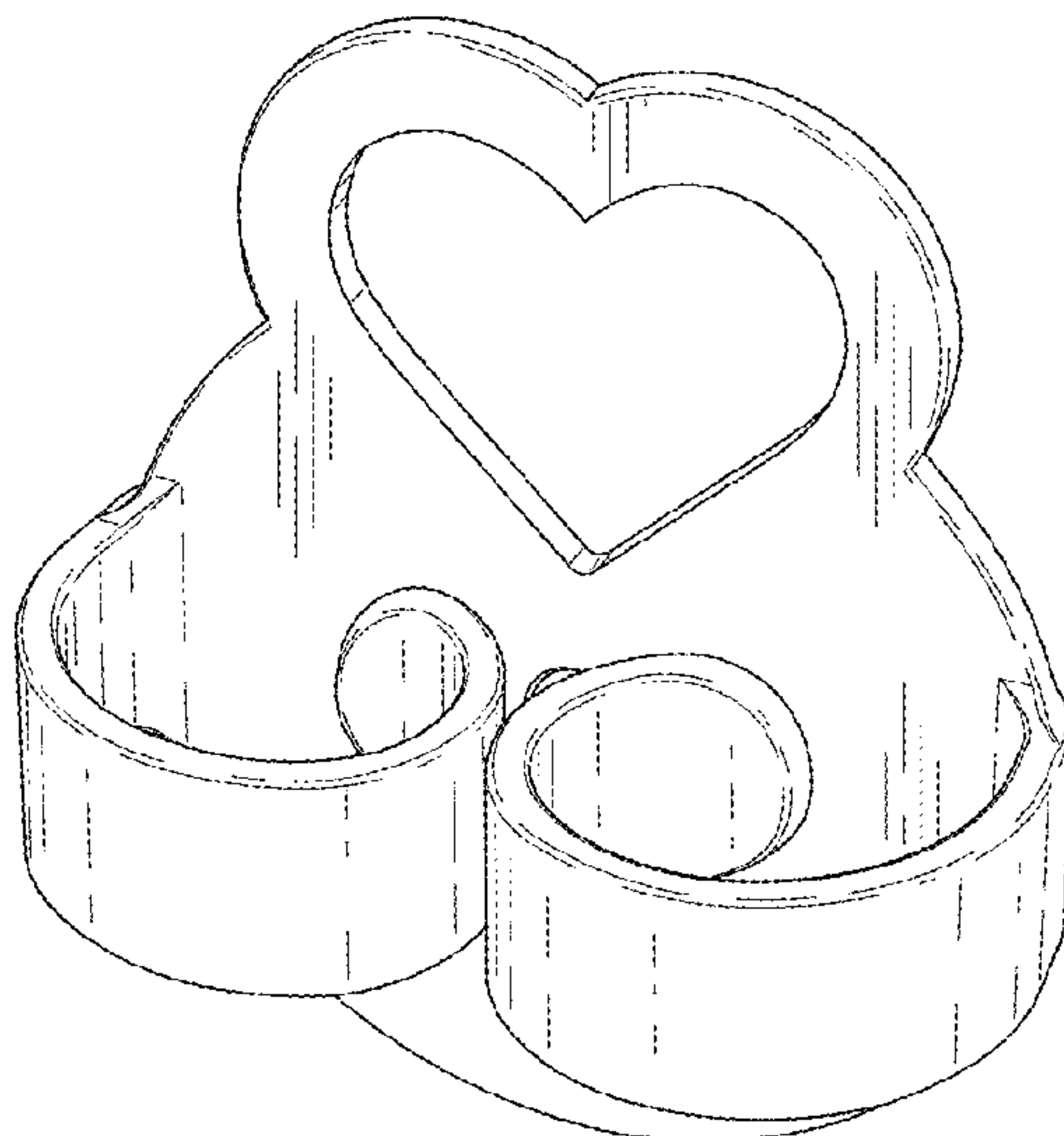
(57) **CLAIM**

The ornamental design for an earring back, as shown and described.

DESCRIPTION

FIG. 1 is a perspective view of an earring back showing our new design;
FIG. 2 is a rear view thereof;
FIG. 3 is a front view thereof;
FIG. 4 is a right side view thereof;
FIG. 5 is a left side view thereof;
FIG. 6 is a top view thereof; and,
FIG. 7 is a bottom view thereof.

1 Claim, 2 Drawing Sheets



(56)

References Cited

U.S. PATENT DOCUMENTS

D781,742 S * 3/2017 Rafaelian D11/87
D800,597 S * 10/2017 Dominguez D11/79
D805,421 S * 12/2017 Dominguez D11/86
D826,080 S * 8/2018 Gentile D11/88
2002/0124364 A1 9/2002 Rissin et al.
2008/0016911 A1 1/2008 Morgan
2009/0019891 A1 1/2009 Kent

OTHER PUBLICATIONS

Silver Kettlebell Earrings Gifts (available online) Retrieved from the internet Apr. 22, 2020 from URL: <https://www.etsy.com/listing/491187311/silver-kettlebell-earrings-gifts-for-her>.*

Honora Happy Backs Sterling Silver Earring Backs, published at https://www.amazon.com/Honora-Happy-Sterling-Silver-Earring/dp/B00BF6EQ8U/ref=cm_cr_arp_d_product_top?ie=UTF8.

MagicBax Earring Lifters, published at <https://www.magicbax.com>.
DIYornament Heart Back Stoppers for Ear Studs, published at <https://www.etsy.com/listing/229262867/100pcs-7mm-heart-back-stoppers-for-ear>.

* cited by examiner

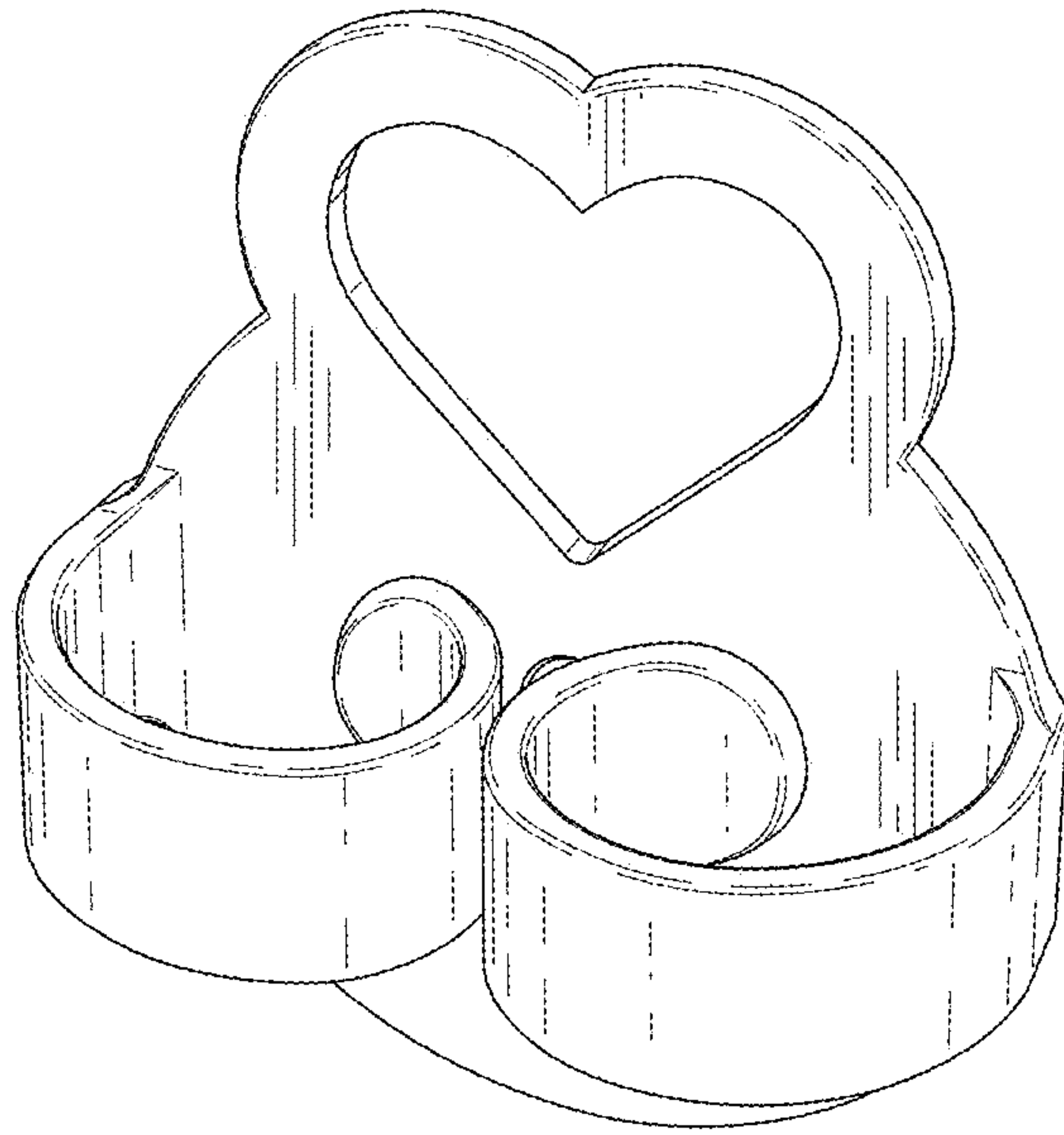


Fig. 1

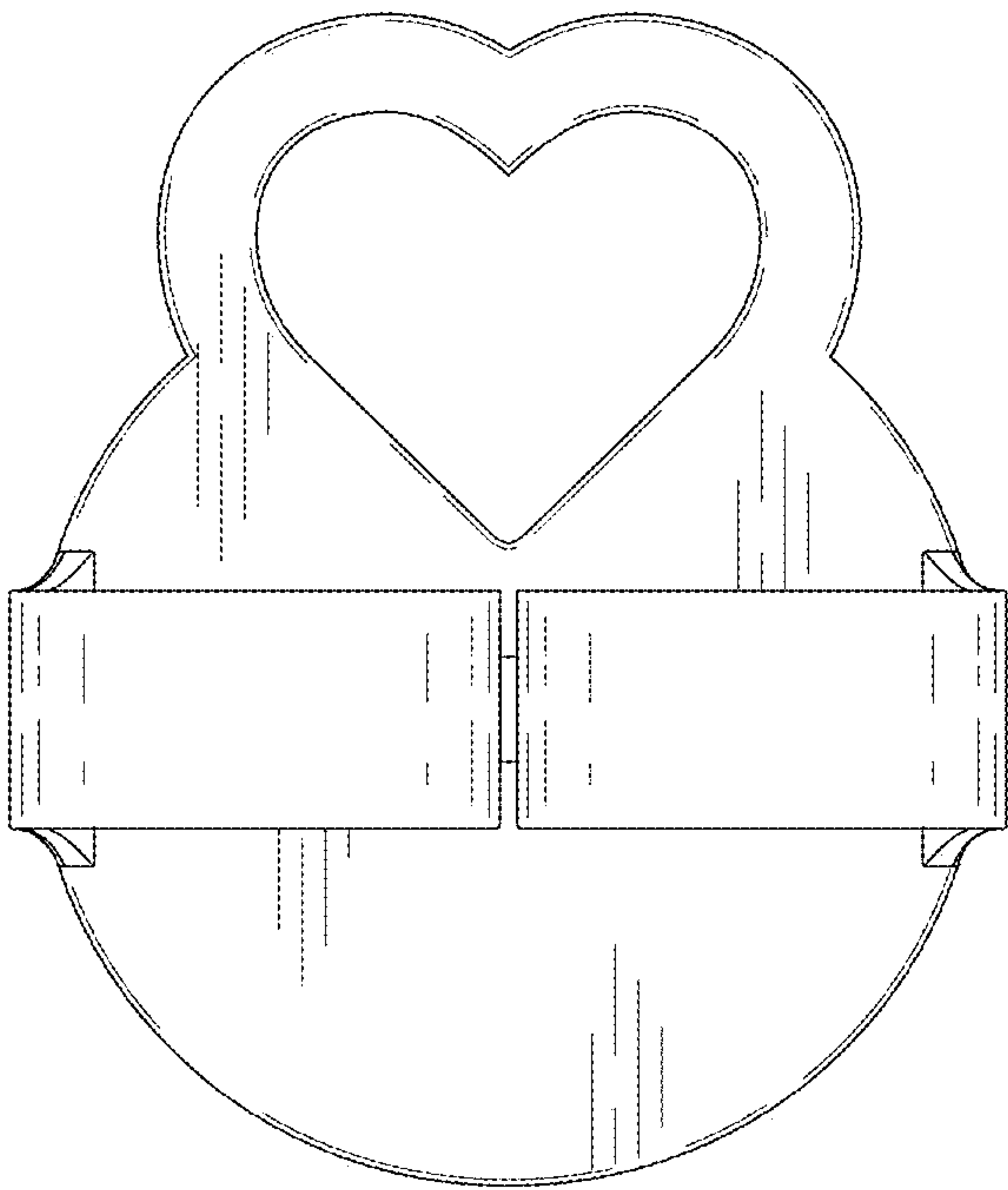


Fig. 2

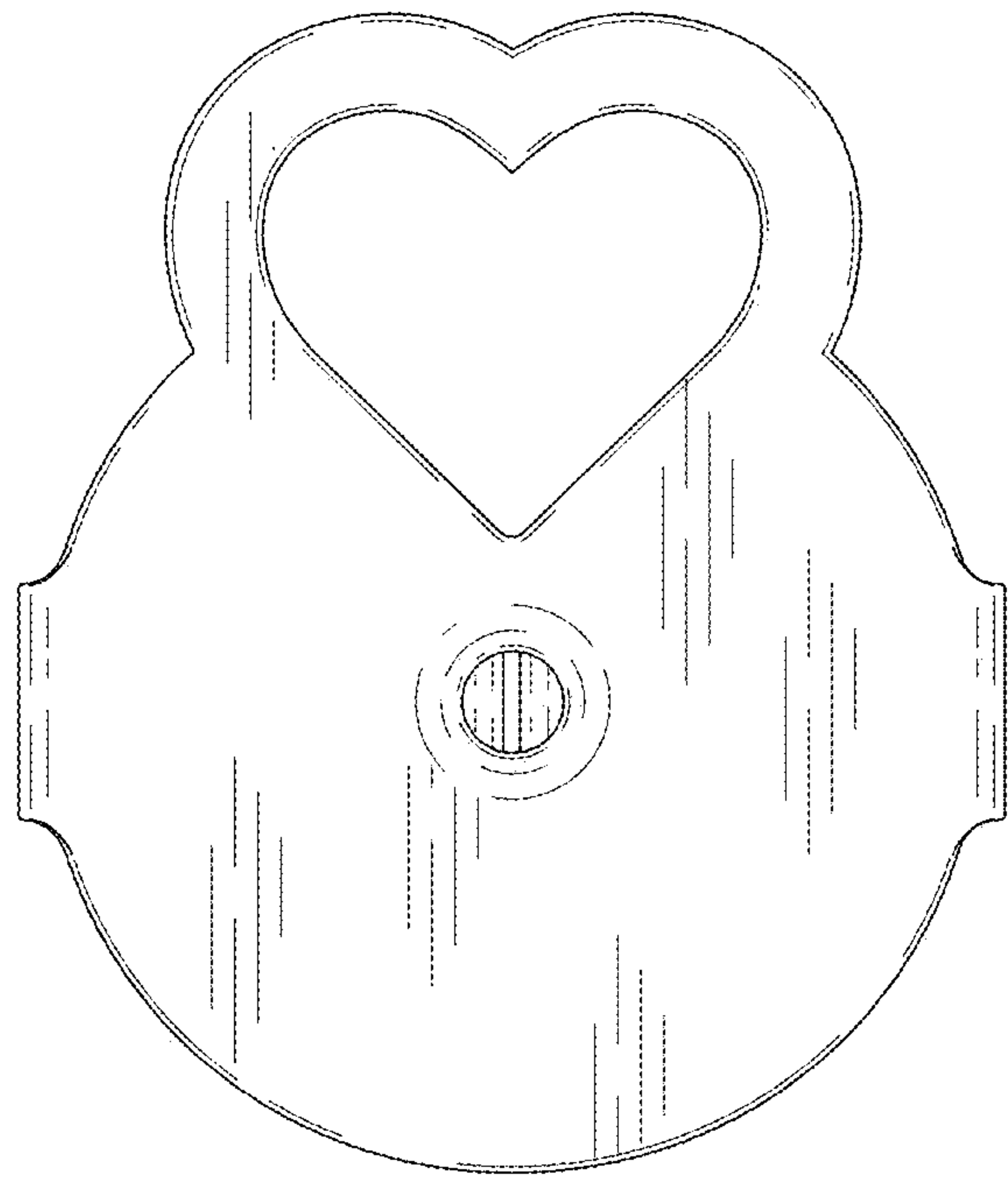


Fig. 3

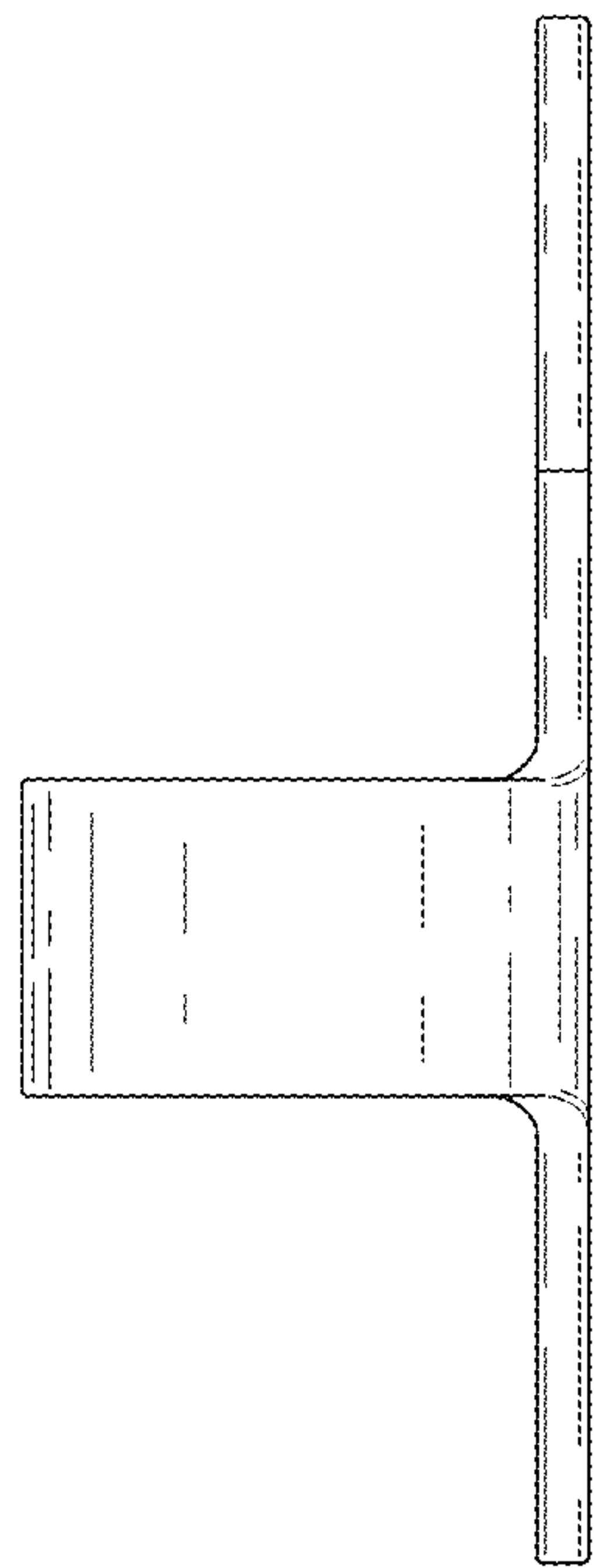


Fig. 4

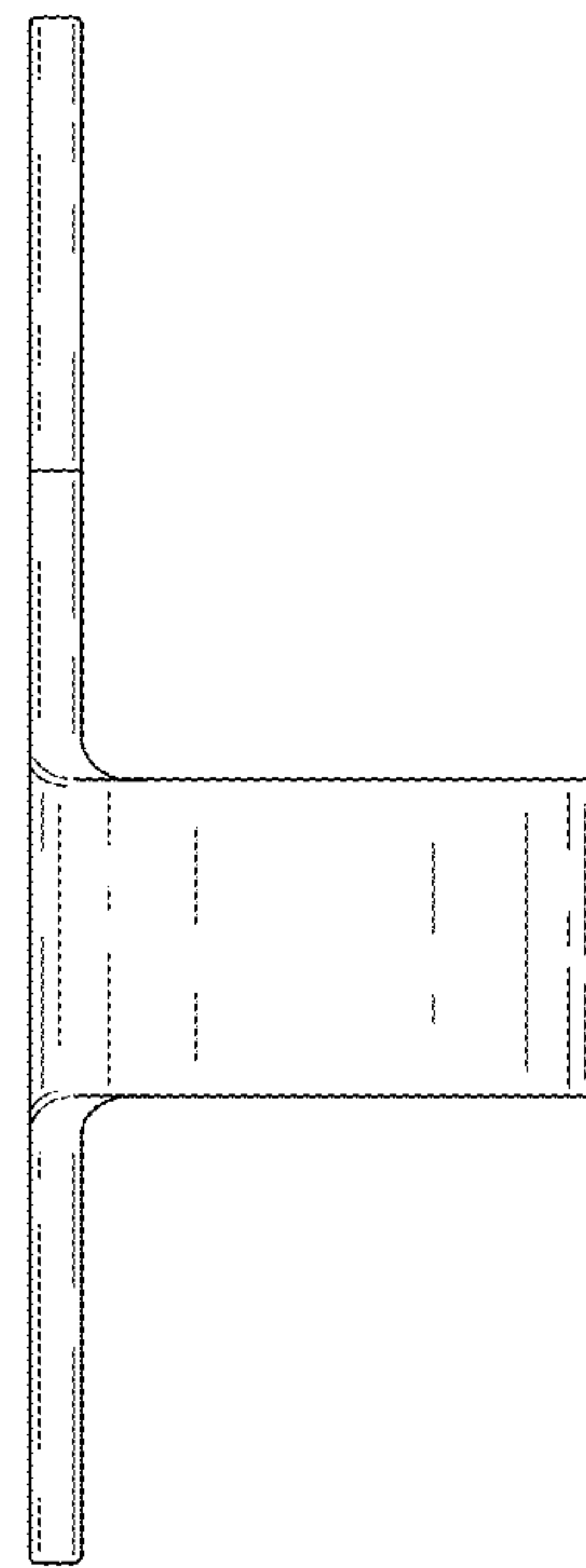


Fig. 5

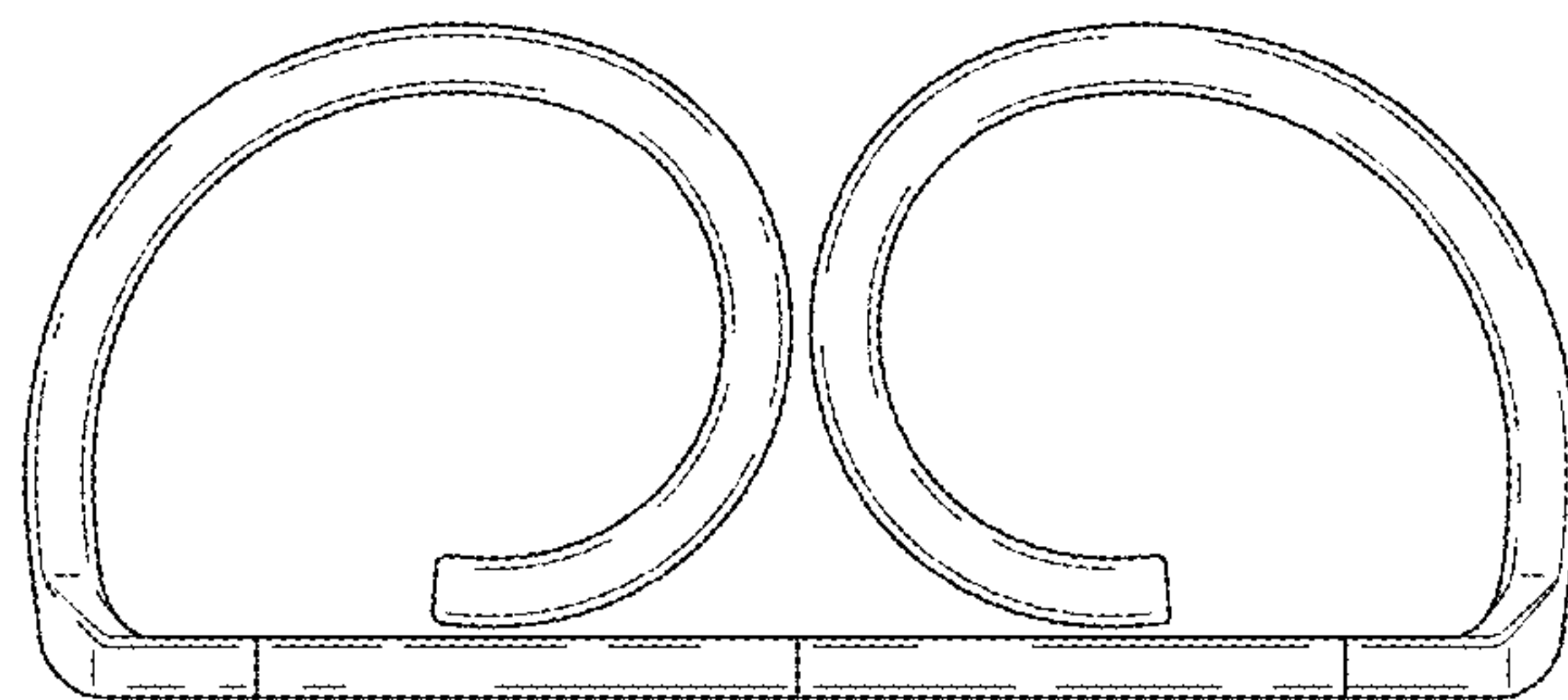


Fig. 6

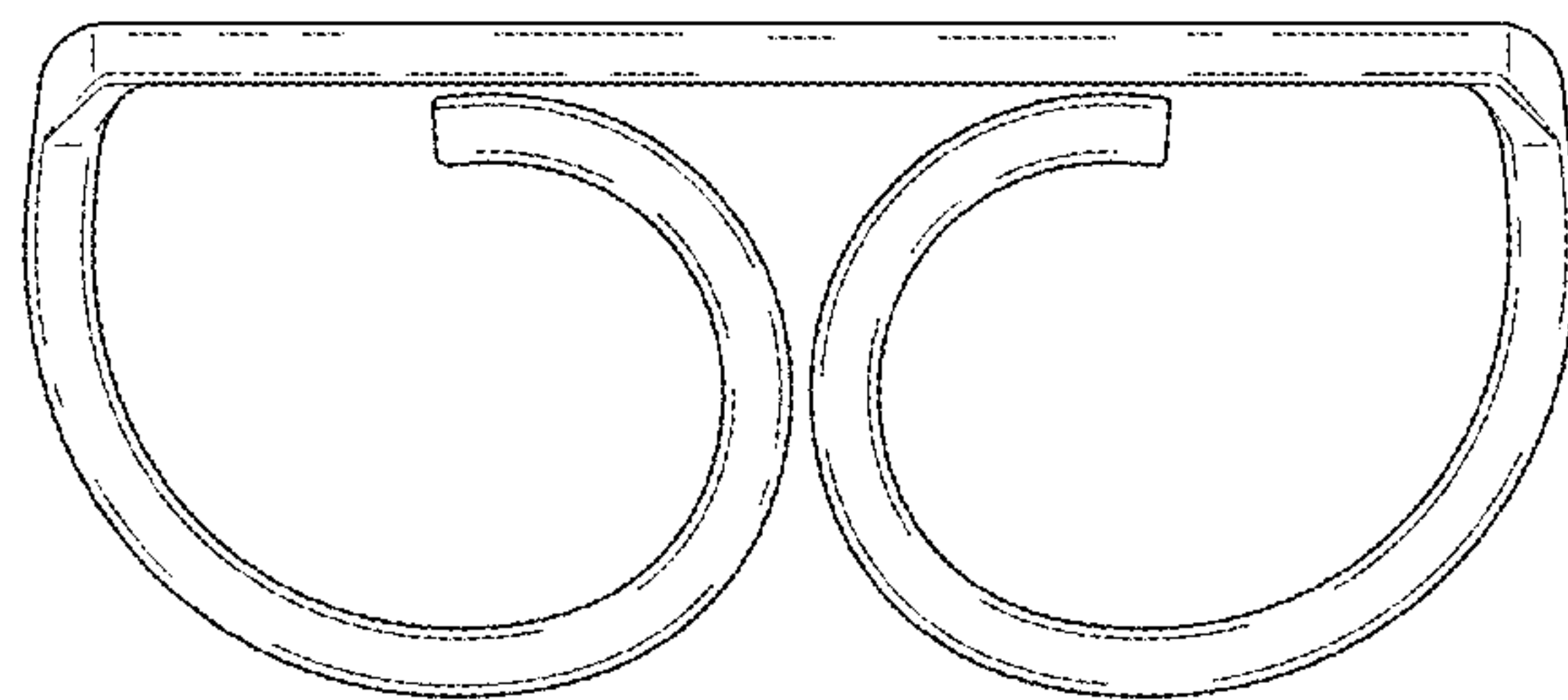


Fig. 7