



US00D891966S

(12) **United States Design Patent** (10) **Patent No.:** **US D891,966 S**
Fort, Jr. (45) **Date of Patent:** **** Aug. 4, 2020**

(54) **WRISTBAND**

(71) Applicant: **Thomas M. Fort, Jr.**, Irmo, SC (US)

(72) Inventor: **Thomas M. Fort, Jr.**, Irmo, SC (US)

(**) Term: **15 Years**

(21) Appl. No.: **29/726,279**

(22) Filed: **Mar. 2, 2020**

| | | | | |
|--------------|------|---------|-------------------|-------------|
| D777,869 | S * | 1/2017 | Wynalda, Jr. | D22/108 |
| D881,738 | S * | 4/2020 | Fort, Jr. | D11/3 |
| D884,540 | S * | 5/2020 | Tse | D11/6 |
| 2002/0043077 | A1 * | 4/2002 | Boyadjian | A44C 5/0069 |
| | | | | 63/3 |
| 2006/0179542 | A1 * | 8/2006 | Pierce | G09F 3/005 |
| | | | | 2/170 |
| 2010/0285283 | A1 * | 11/2010 | Kingsbury | A43B 13/04 |
| | | | | 428/195.1 |
| 2013/0262298 | A1 * | 10/2013 | Morley | G06Q 20/325 |
| | | | | 705/39 |
| 2016/0260344 | A1 * | 9/2016 | Fort, Jr. | G09B 5/00 |

Related U.S. Application Data

(60) Division of application No. 29/616,868, filed on Sep. 8, 2017, now Pat. No. Des. 881,738, which is a continuation of application No. 15/059,593, filed on Mar. 3, 2016.

(51) **LOC (12) Cl.** **11-01**

(52) **U.S. Cl.**
USPC **D11/3**

(58) **Field of Classification Search**
USPC D10/31, 32, 38, 39; D11/3-6, 17-25; D14/344

CPC A44C 5/12; A44C 5/14; A44C 5/16; A44C 5/18; A44C 5/22; A44C 5/0053; A44C 5/0069; A44C 5/0076; A44C 5/0084; A44C 5/0007; A44C 5/003; A44C 5/0061; A44C 5/142; A44C 5/147; A44C 5/185; G09F 3/005

See application file for complete search history.

(56) **References Cited**

U.S. PATENT DOCUMENTS

| | | | | |
|-----------|------|--------|----------------|-------------|
| D542,687 | S * | 5/2007 | Brown | D11/4 |
| D546,227 | S * | 7/2007 | Brown | D11/4 |
| D587,157 | S * | 2/2009 | Hawk | D11/26 |
| D623,550 | S * | 9/2010 | Weber | D11/3 |
| 8,662,894 | B2 * | 3/2014 | Paratore | A63F 13/005 |
| | | | | 434/128 |

OTHER PUBLICATIONS

Music Ladder wristbands (available online) Retrieved from the internet Jul. 23, 2019 from URL: http://www.cantabileschoolofmusic.com.au/wp-content/uploads/2015/03/20160725_133410.jpg.*

Music Ladder System (available online) Retrieved from the internet Jul. 23, 2019 from URL: <https://www.moscowmusicacademy.com/uploads/2/5/9/6/2596215/3983929.png>.*

(Continued)

Primary Examiner — Kevin K Rudzinski

Assistant Examiner — Richard Kearney

(74) *Attorney, Agent, or Firm* — Ashley Law Firm P.C.; Stephen S. Ashley, Jr.

(57) **CLAIM**

The ornamental design for a wristband, as shown and described.

DESCRIPTION

FIG. 1 is a perspective view of a wristband according to the invention;

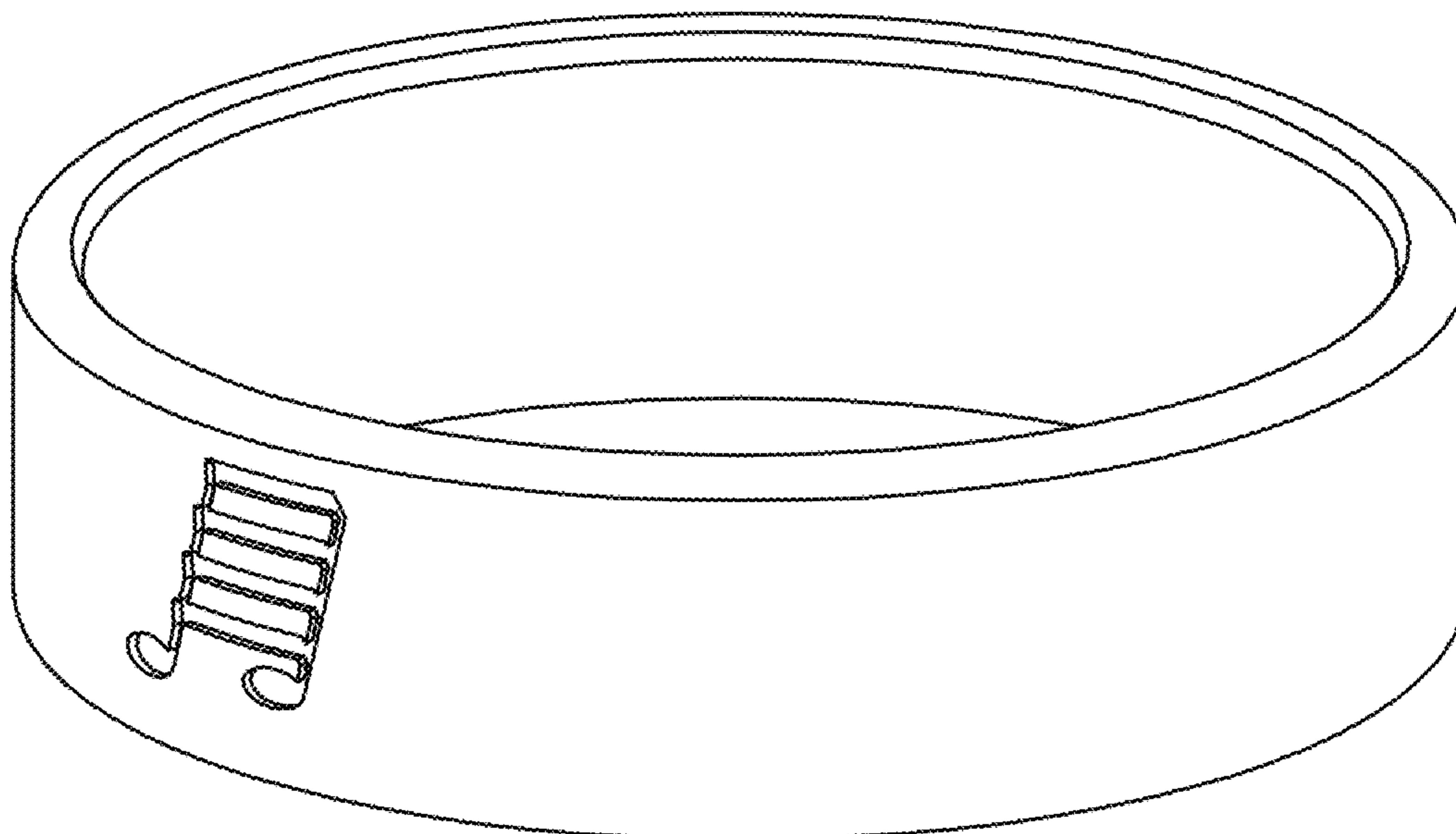
FIG. 2 is a front elevation thereof;

FIG. 3 is a rear elevation thereof;

FIG. 4 is a top plan view thereof; and,

FIG. 5 is a bottom plan view thereof.

1 Claim, 3 Drawing Sheets



(56)

References Cited

OTHER PUBLICATIONS

Quarter Note Music Ring (available online Mar. 15, 2019) Retrieved from the internet Jun. 9, 2020 from URL: <https://www.amazon.com/Zealot-Jewelry-Tungsten-Quarter-Polished/dp/B07PPXXBYP/?tag=daedelusmusic-20&th=1>.*

New Ink Filled Logo Music Note Silicone Wristband (available online) Retrieved from the internet Jun. 9, 2020 from URL: <https://www.aliexpress.com/item/32910047874.html>.*

* cited by examiner

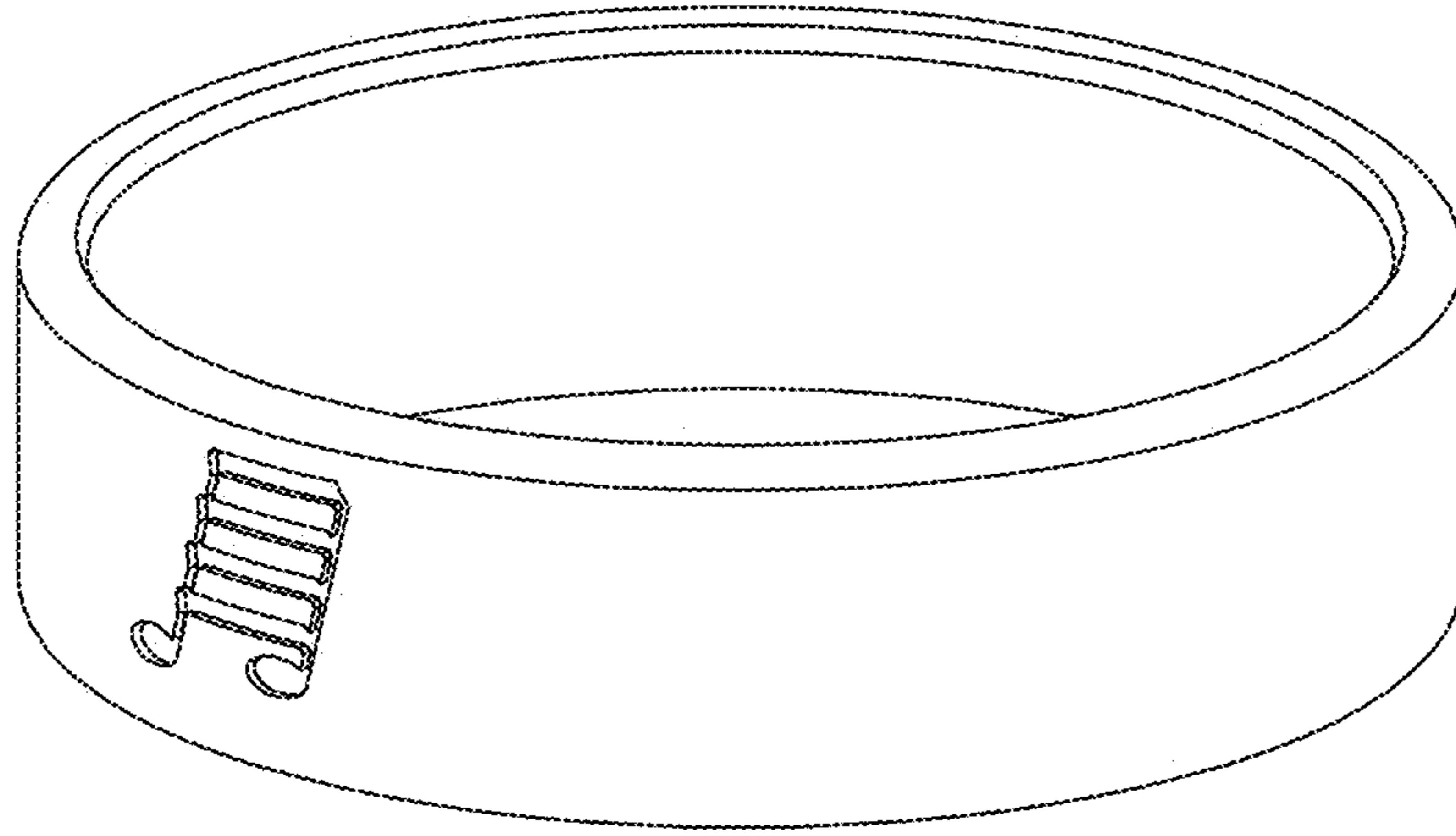


FIGURE 1



FIGURE 2



FIGURE 3

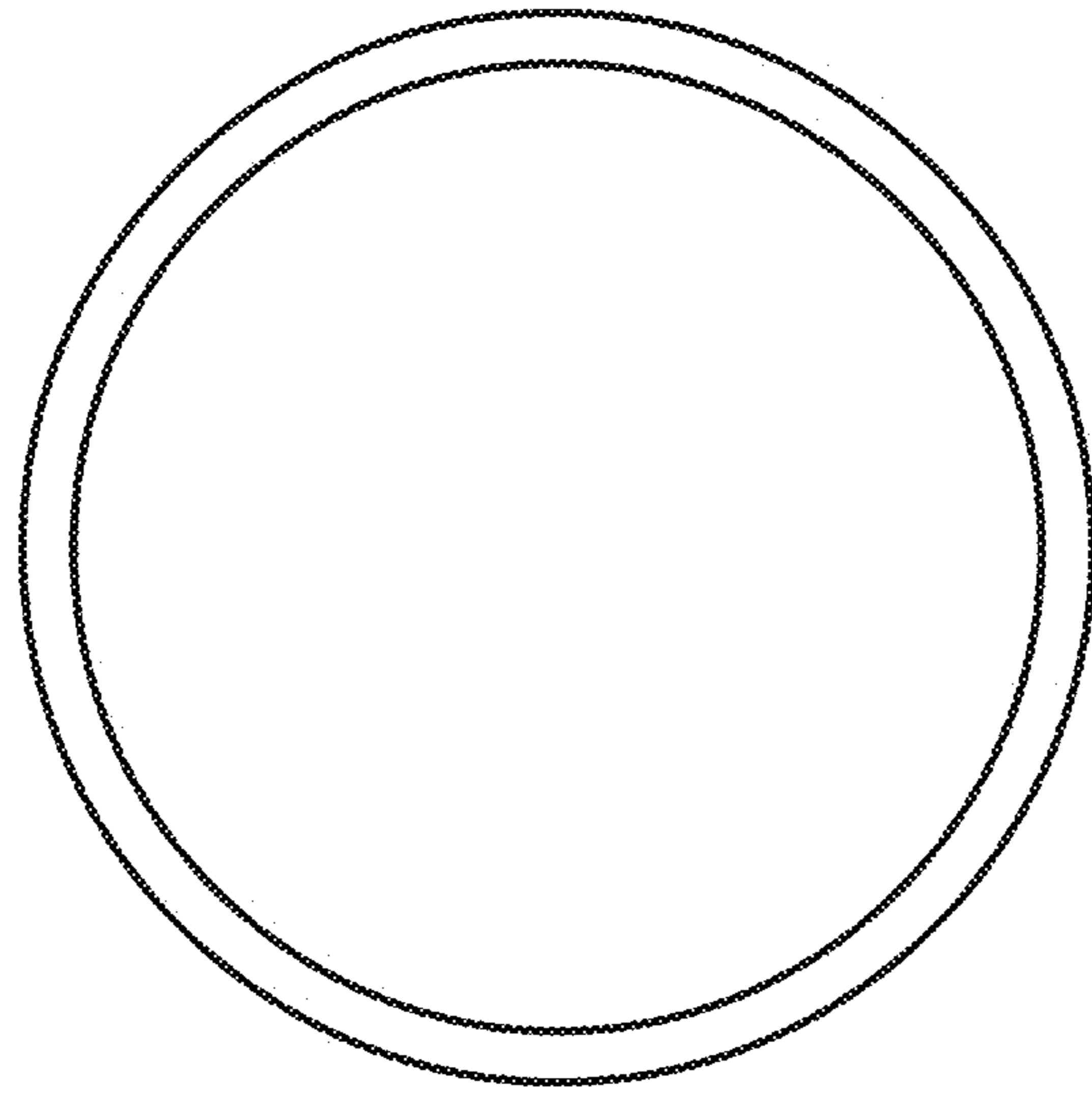


FIGURE 4

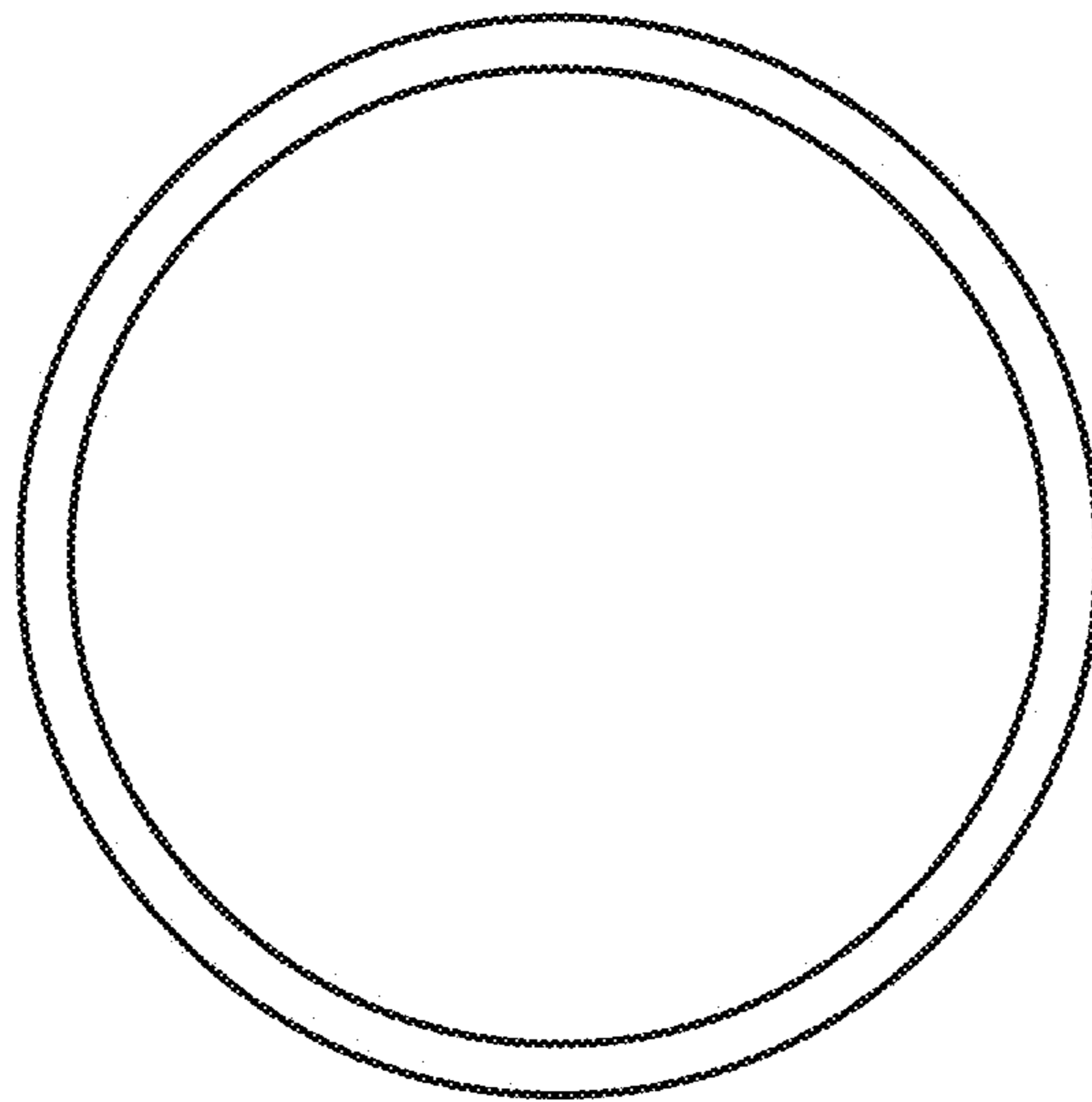


FIGURE 5