



US00D891964S

(12) **United States Design Patent**
Goodwin

(10) **Patent No.:** **US D891,964 S**

(45) **Date of Patent:** **** Aug. 4, 2020**

(54) **ELECTRIC ROAD FLARE**

(71) Applicant: **Gary Goodwin**, Las Vegas, NV (US)

(72) Inventor: **Gary Goodwin**, Las Vegas, NV (US)

(**) Term: **15 Years**

(21) Appl. No.: **29/697,180**

(22) Filed: **Jul. 4, 2019**

(51) **LOC (12) Cl.** **10-05**

(52) **U.S. Cl.**
USPC **D10/114.1**

(58) **Field of Classification Search**

USPC D10/106.5, 109.1, 111, 113.1, 114.1,
D10/114.2, 114.5, 114.6; D13/184, 199;
D26/24, 37, 60, 120
CPC F21V 7/0008; F21V 21/0965; F21V 21/30;
F21L 2/00; F21L 4/00; F21L 4/08; F21L
4/027; G08B 5/006; G08B 21/22; G08B
21/24; G08G 1/0955; G08G 1/207; G09F
9/33; E01F 9/559; B61L 29/24; B60Q
1/52; B60Q 1/2615

See application file for complete search history.

(56) **References Cited**

U.S. PATENT DOCUMENTS

D544,618 S * 6/2007 Coushaine D26/37
D576,970 S * 9/2008 Uemoto D13/180

D682,451 S * 5/2013 Hardy D26/60
8,550,653 B2 * 10/2013 Wilson F21L 2/00
362/157
D865,559 S * 11/2019 Olsen D10/114.2
2006/0104054 A1 * 5/2006 Coman E01F 9/559
362/153.1
2007/0176784 A1 * 8/2007 Fautin B60Q 1/52
340/686.1

OTHER PUBLICATIONS

https://www.amazon.com/Roadside-Flashing-Warning-Emergency-Magnetic/dp/B07BS2RZ1D/ref=sr_1_81?keywords=electric+road+flare&qid=1581792933&sr=8-81 Jan. 22, 2018 (Year: 2018).*

* cited by examiner

Primary Examiner — Derrick E Holland
(74) *Attorney, Agent, or Firm* — Steven Rinehart

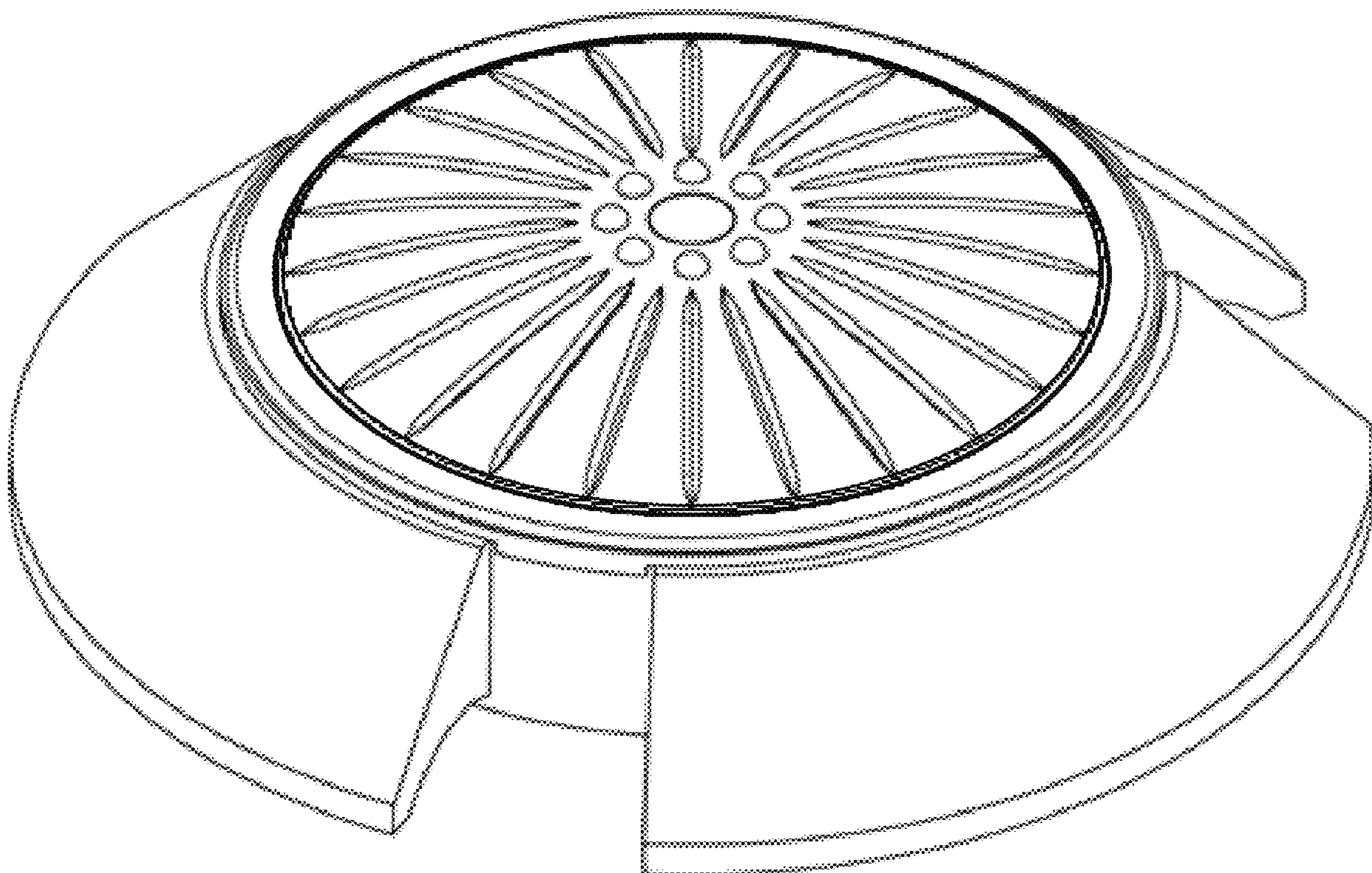
(57) **CLAIM**

The ornamental design for an electric road flare, as shown and described.

DESCRIPTION

FIG. 1 is a perspective view of an electric road flare showing my design;
FIG. 2 is a top plain view thereof;
FIG. 3 is a second perspective view thereof; and,
FIG. 4 is a third perspective view thereof.

1 Claim, 4 Drawing Sheets



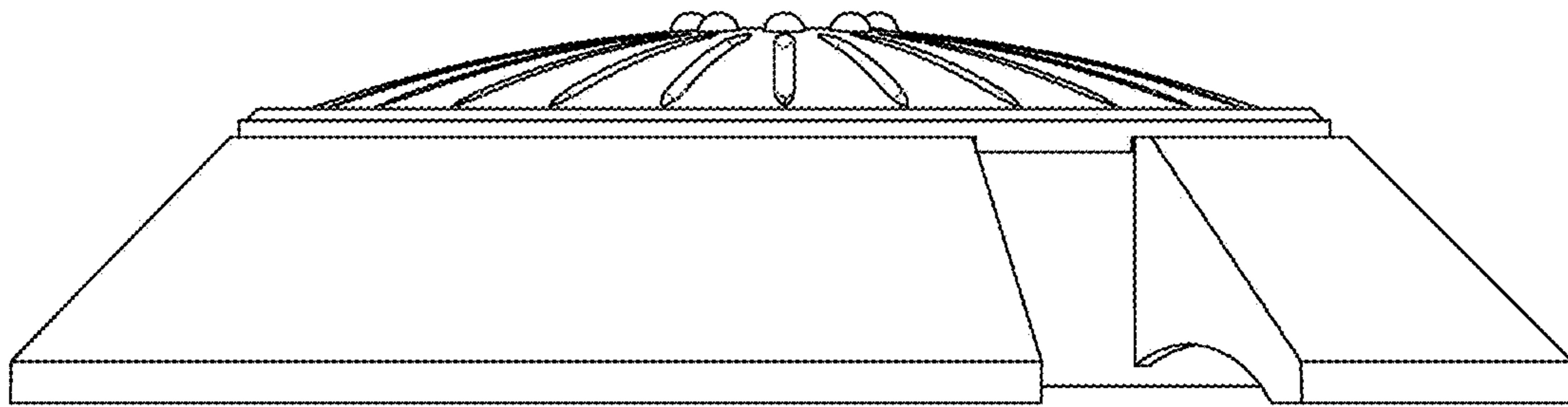


FIG. 1

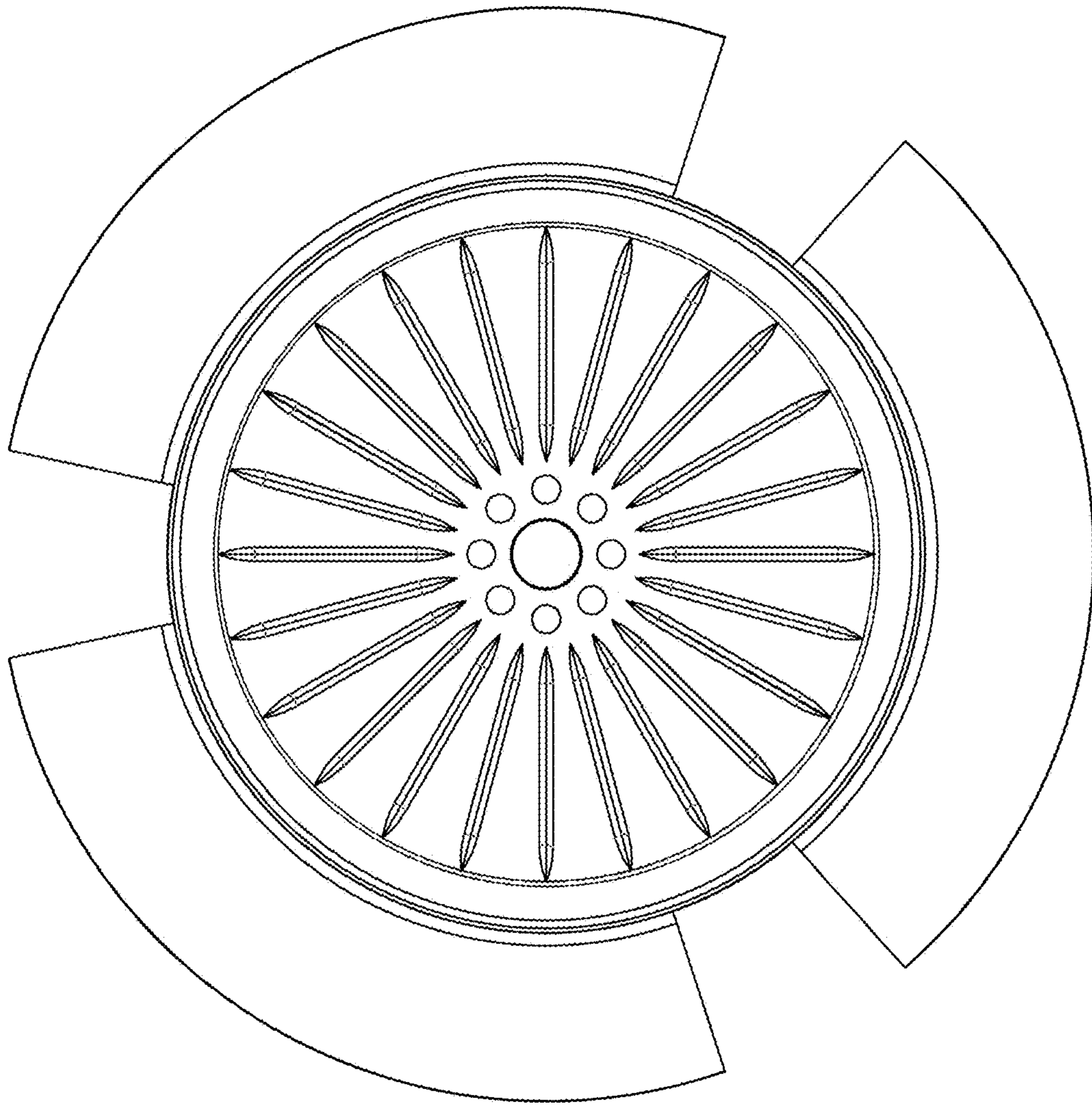


FIG. 2

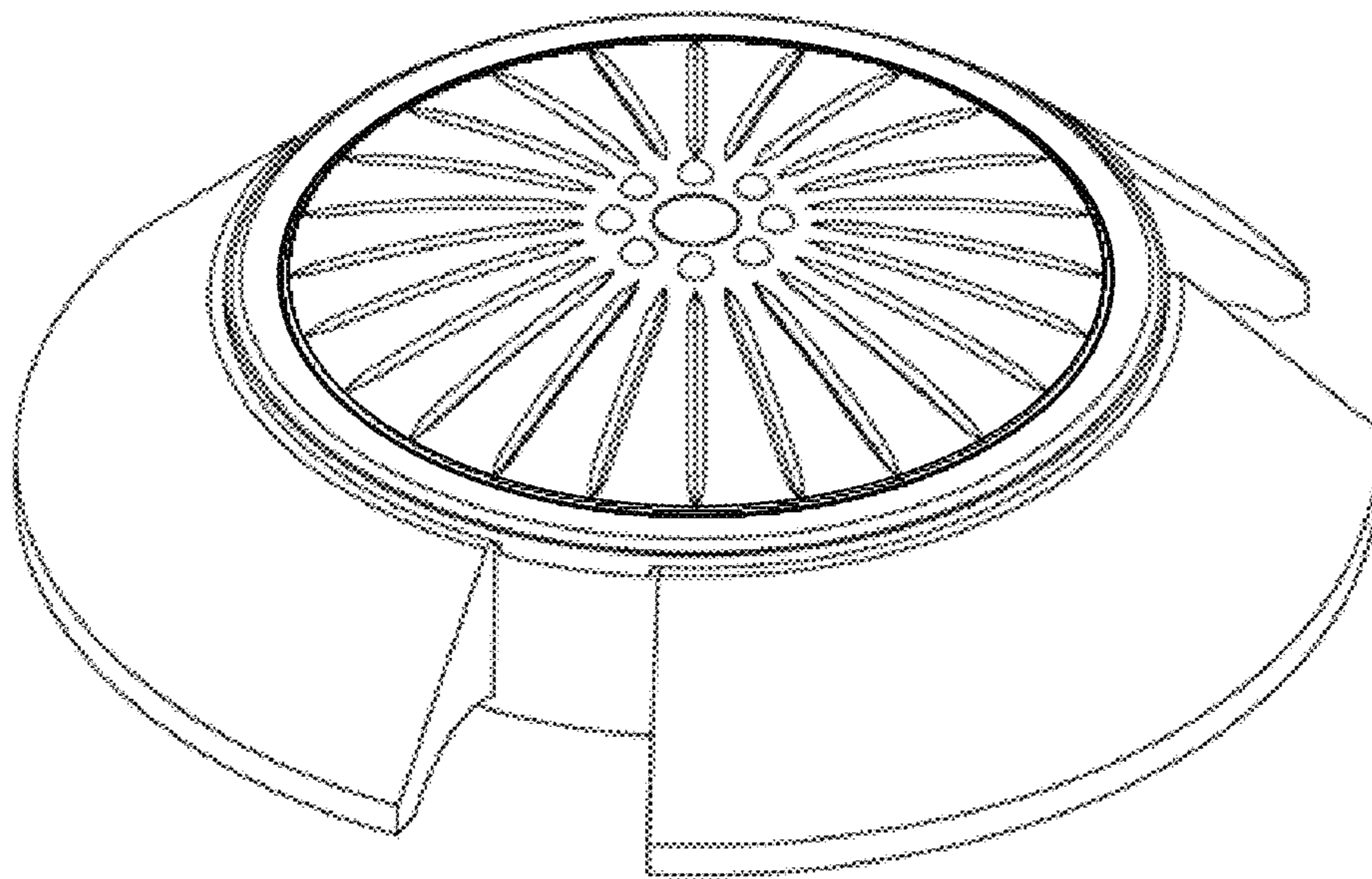


FIG. 3

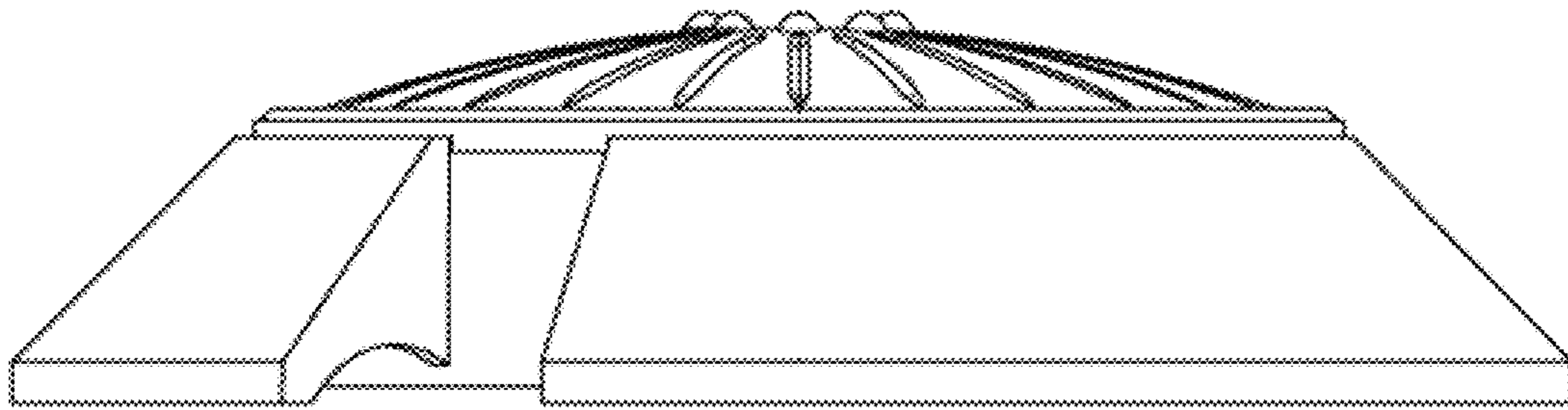


FIG. 4