



US00D891960S

(12) **United States Design Patent** (10) **Patent No.:** **US D891,960 S**
Angus et al. (45) **Date of Patent:** **** Aug. 4, 2020**

(54) **FLOW MONITOR**

(71) Applicant: **Watts Regulator Co.**, North Andover, MA (US)

(72) Inventors: **Michael T. Angus**, Derry, PA (US); **Kevin Fisk**, Vernon (CA); **Richard Huber**, Harmony, PA (US); **R. Craig Campbell**, Cranberry Township, PA (US); **George Davis**, Pittsburgh, PA (US); **Matthew Meurer**, Pittsburgh, PA (US); **Robert Parks**, Pittsburgh, PA (US)

(73) Assignee: **Watts Regulator Co.**, North Andover, MA (US)

(**) Term: **15 Years**

(21) Appl. No.: **29/718,574**

(22) Filed: **Dec. 26, 2019**

Related U.S. Application Data

(63) Continuation of application No. 29/675,362, filed on Dec. 31, 2018.

(51) **LOC (12) Cl.** **10-04**

(52) **U.S. Cl.**
USPC **D10/96**

(58) **Field of Classification Search**
USPC D10/96
CPC G01F 1/40; G01F 1/42; G01F 1/44; G01F 1/46; G01F 1/74; G01F 11/003; G01F 11/006; G01F 3/00; G01F 3/02; G01F 3/04; G01F 3/06; G01F 3/065; G01F 3/08; G01F 3/10; G01F 3/12; G01N 21/03; G01N 21/05; G01N 2021/0378; G01N 2021/0382; G01N 2021/052; G01N 2021/054; G01N 2021/056; G01N 2021/058

See application file for complete search history.

(56) **References Cited**

U.S. PATENT DOCUMENTS

5,251,480 A * 10/1993 Brunson, IV G01F 3/12
73/253
6,684,757 B2 2/2004 Petersen
7,143,645 B2 * 12/2006 Benson G01F 3/12
73/238
7,343,795 B2 3/2008 Winter
7,493,811 B2 * 2/2009 Koch G01F 3/08
73/239

(Continued)

OTHER PUBLICATIONS

Flexible Axis Meter Fam Datasheet, 2 pages.
Tactical Flow Meter; 1" Tactical Row Meter Datasheet, 2 pages.

Primary Examiner — Antoine Duval Davis

(74) *Attorney, Agent, or Firm* — Burns & Levinson, LLP;
George N. Chaclas

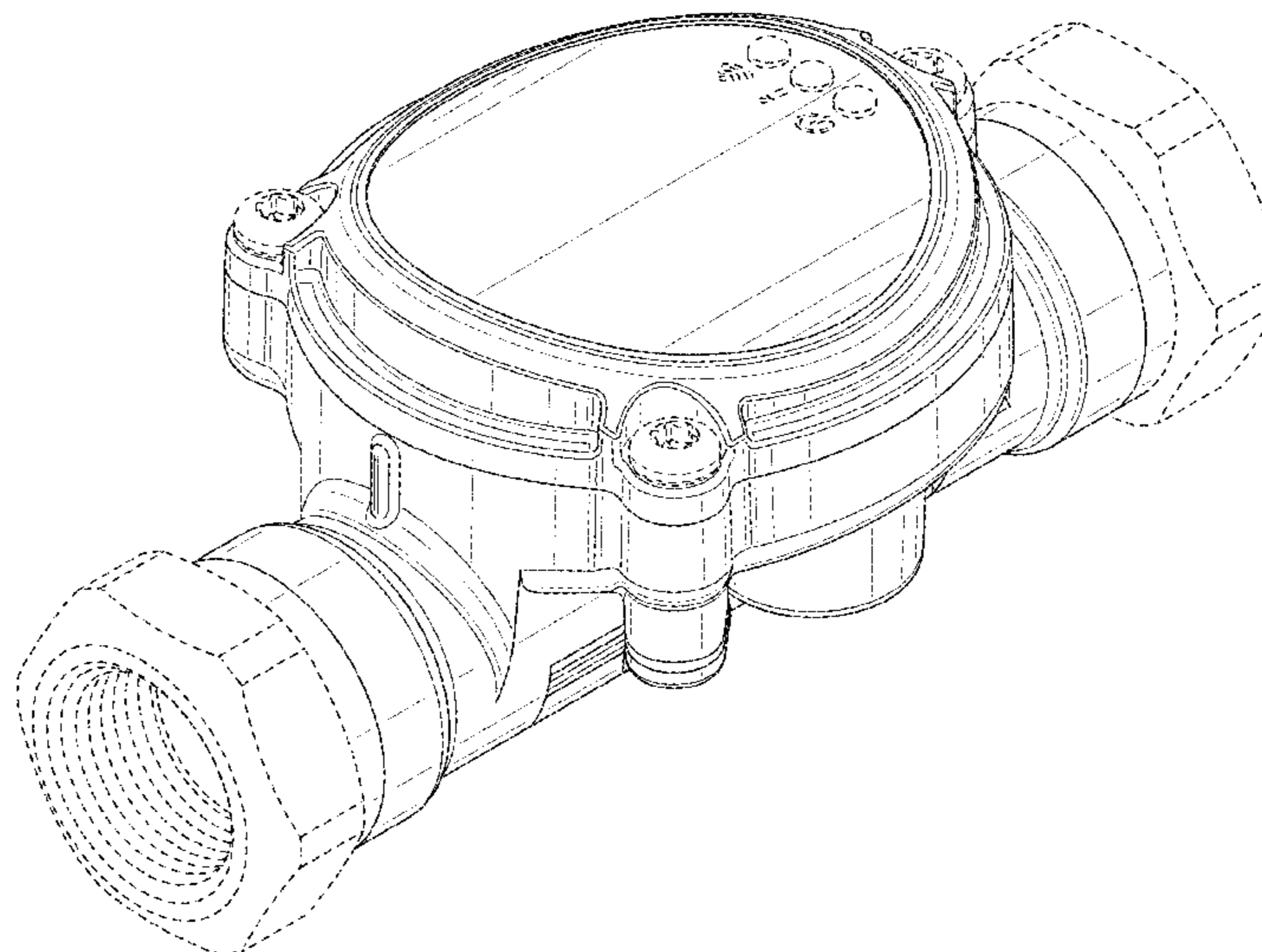
(57) **CLAIM**

The ornamental design for a flow monitor, as shown and described.

DESCRIPTION

FIG. 1 is a top perspective view of a flow monitor.
FIG. 2 is a first side view of the first embodiment of the flow monitor.
FIG. 3 is another side view of the first embodiment of the flow monitor.
FIG. 4 is a third side view of the first embodiment of the flow monitor.
FIG. 5 is a fourth side view of the first embodiment of the flow monitor.
FIG. 6 is top view of the first embodiment of the flow monitor; and,
FIG. 7 is a bottom view of the first embodiment of the flow monitor.
The dotted lines in FIGS. 1-7 show a portion of the flow monitor that forms no part of the claimed design.

1 Claim, 7 Drawing Sheets



(56)

References Cited

U.S. PATENT DOCUMENTS

| | | | |
|-----------------|---------|------------------|---------------------|
| D630,536 S * | 1/2011 | Pettit | G01F 3/12 D10/96 |
| 8,264,360 B2 | 9/2012 | Struyk | |
| 8,264,361 B2 | 9/2012 | Struyk | |
| 8,863,734 B2 | 10/2014 | Shaffer | |
| 9,035,781 B2 | 5/2015 | Struyk | |
| 9,322,694 B2 | 4/2016 | Seehoffer et al. | |
| 9,638,559 B1 | 5/2017 | Zummo et al. | |
| 2005/0007260 A1 | 1/2005 | Winter et al. | |
| 2019/0212180 A1 | 7/2019 | Stetsenko et al. | |

* cited by examiner

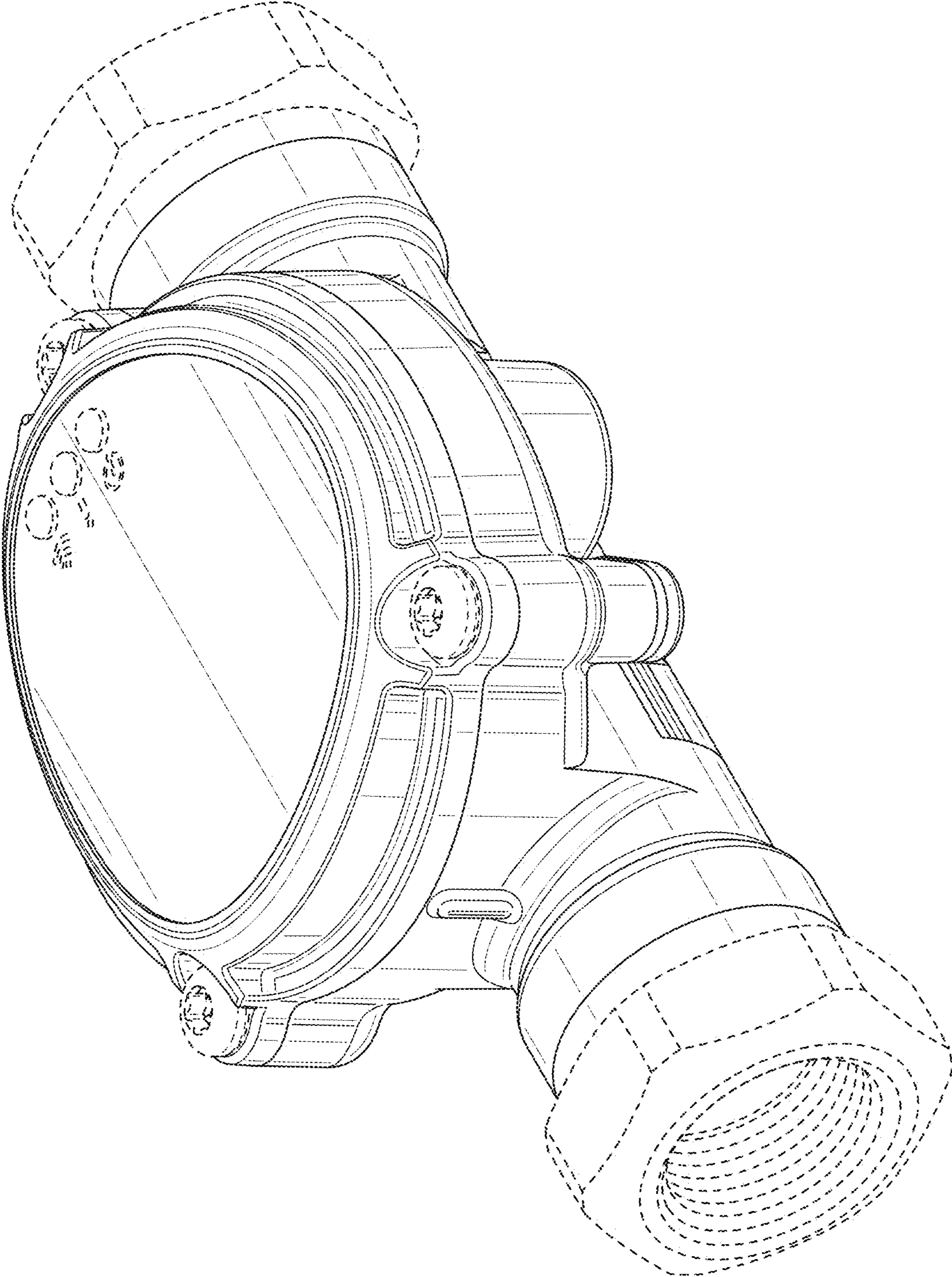


FIG. 1

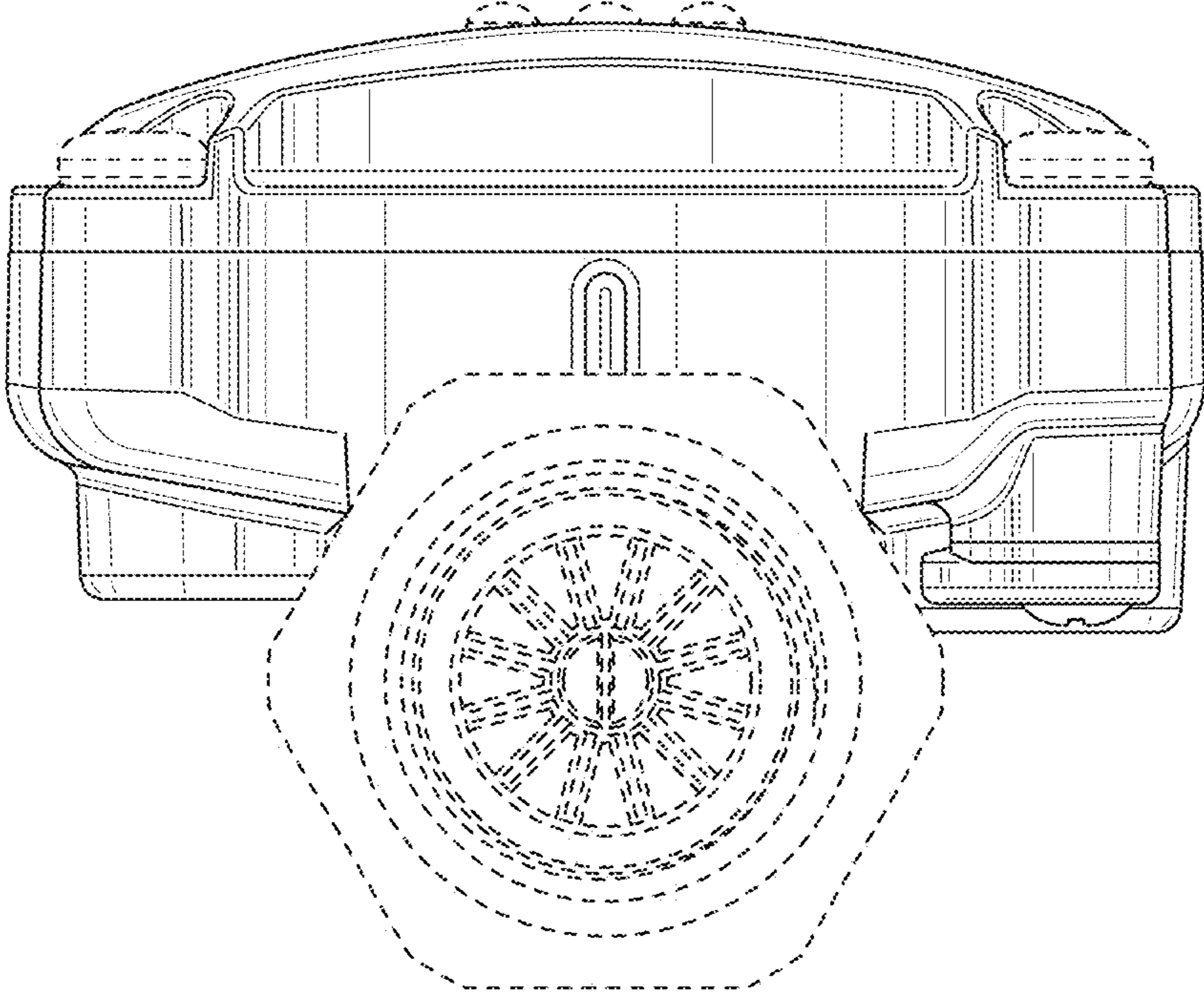


FIG. 2

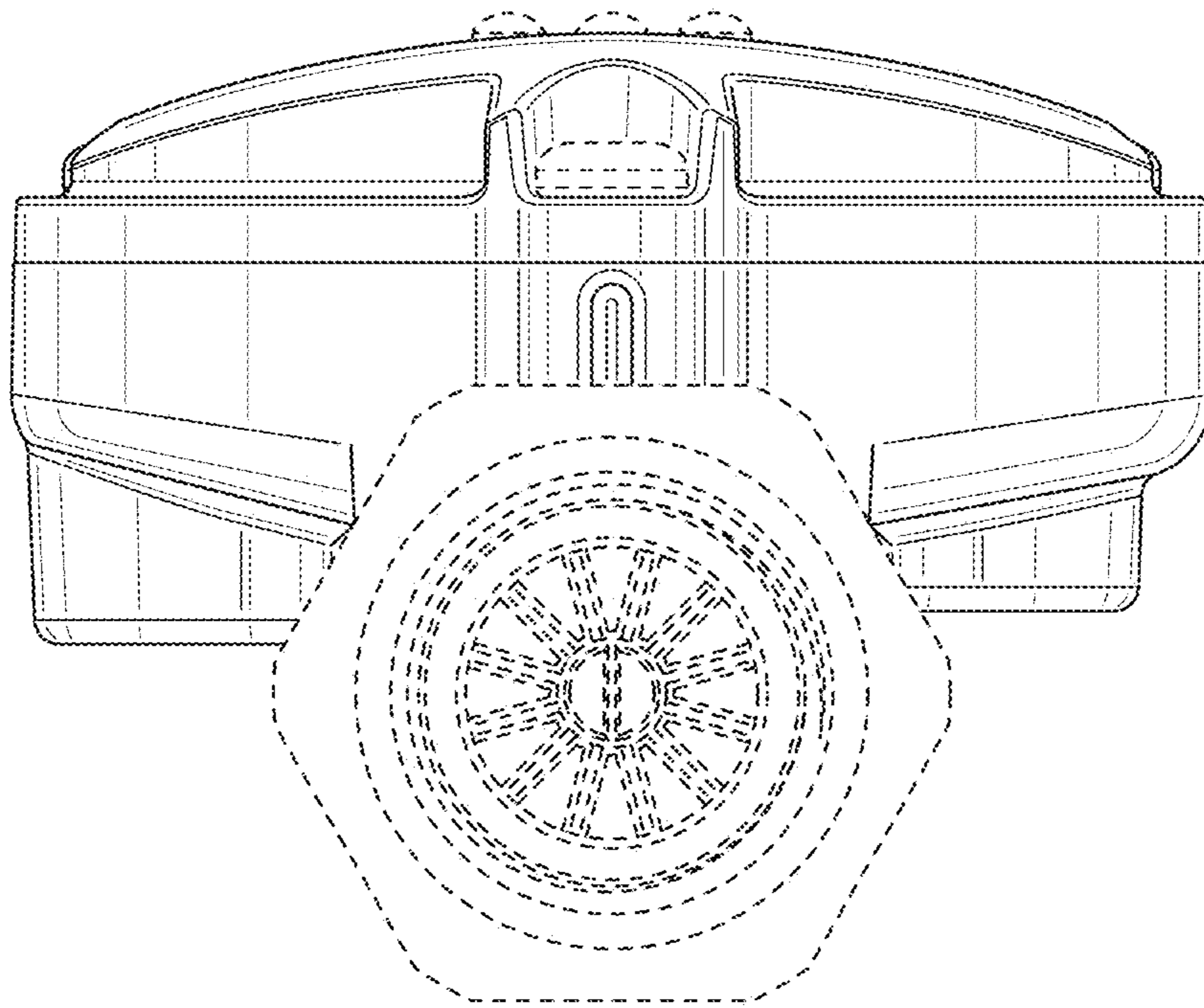


FIG. 3

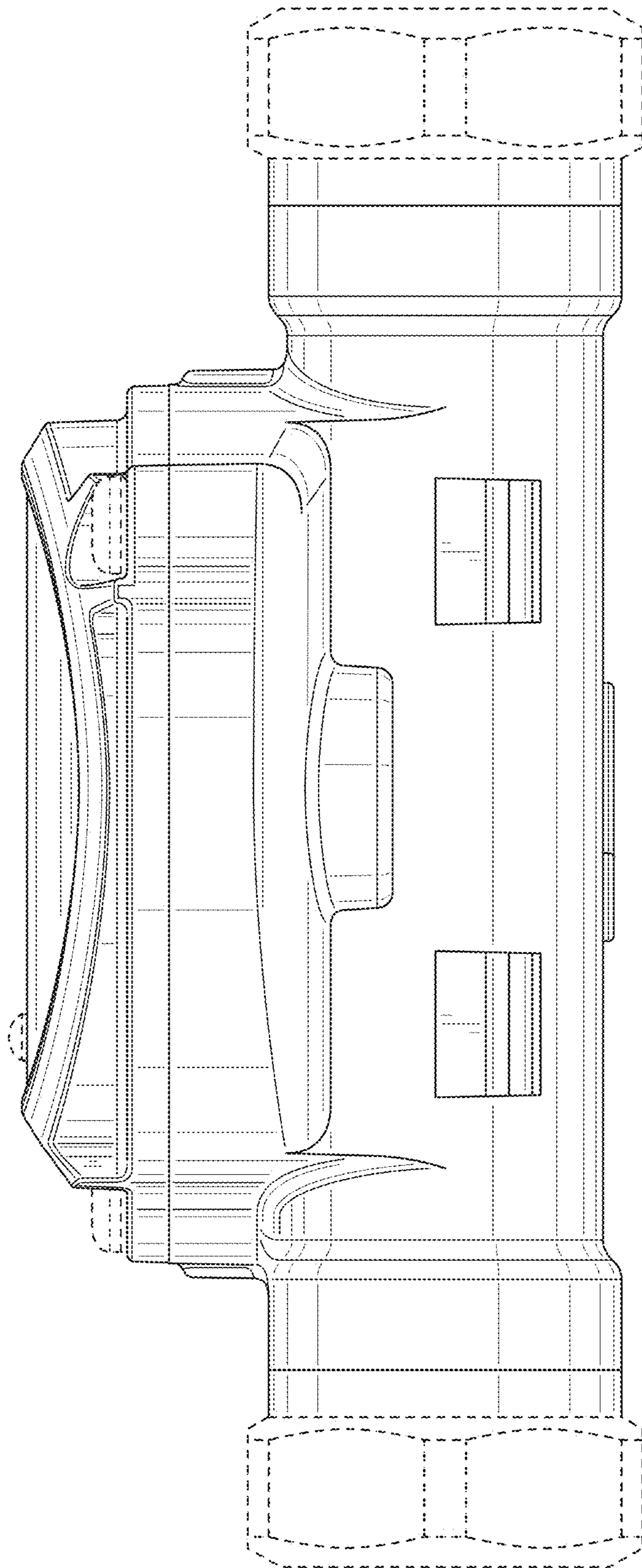


FIG. 4

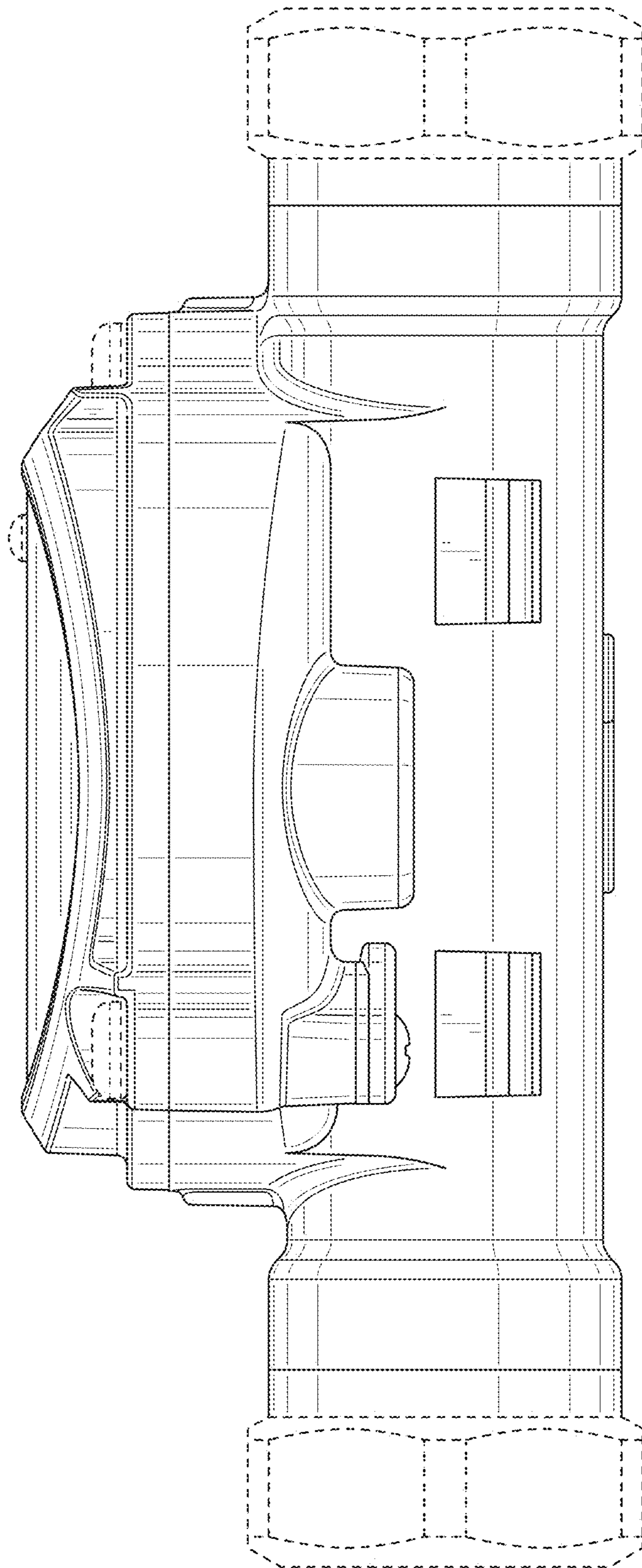


FIG. 5

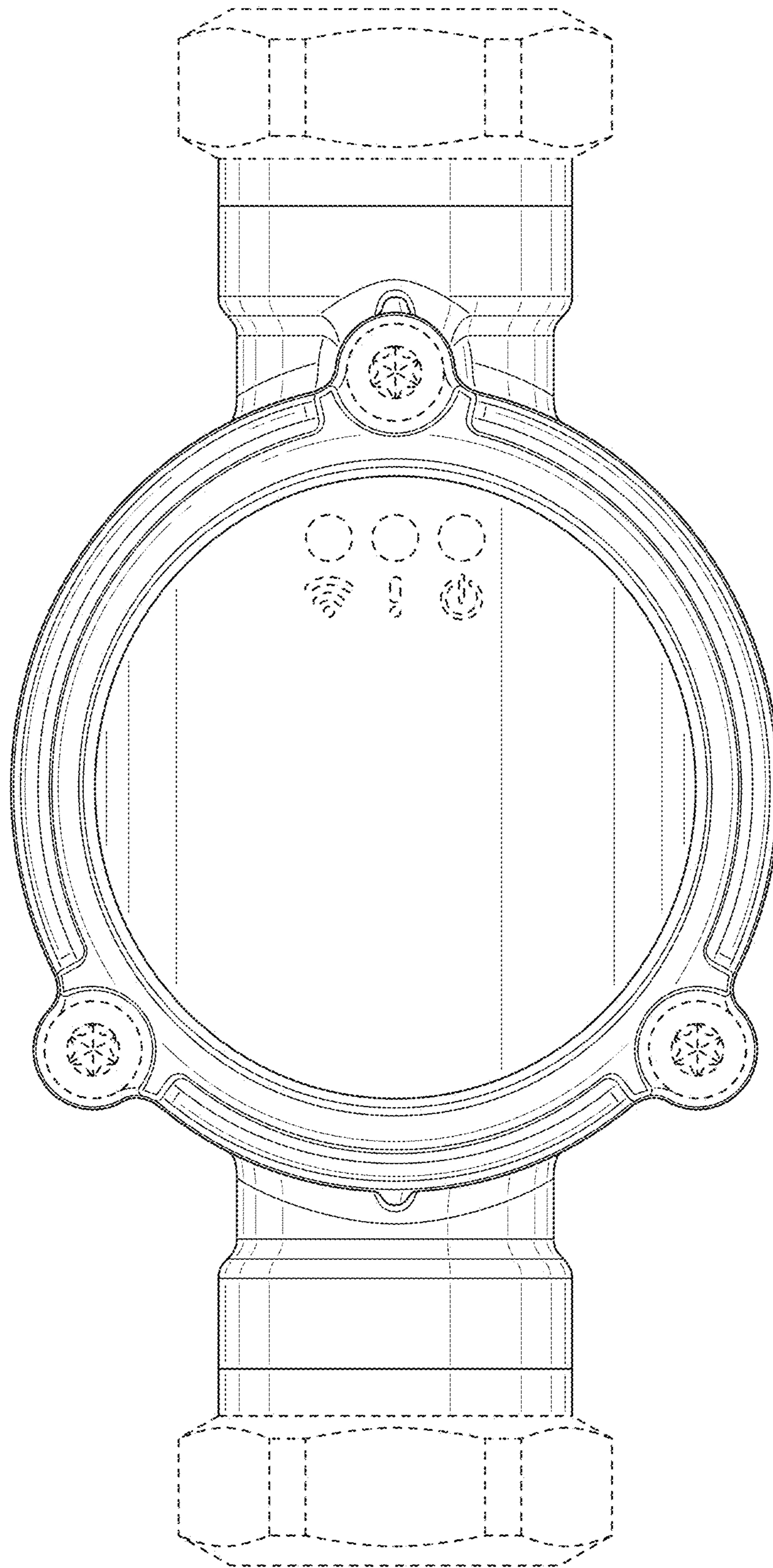


FIG. 6

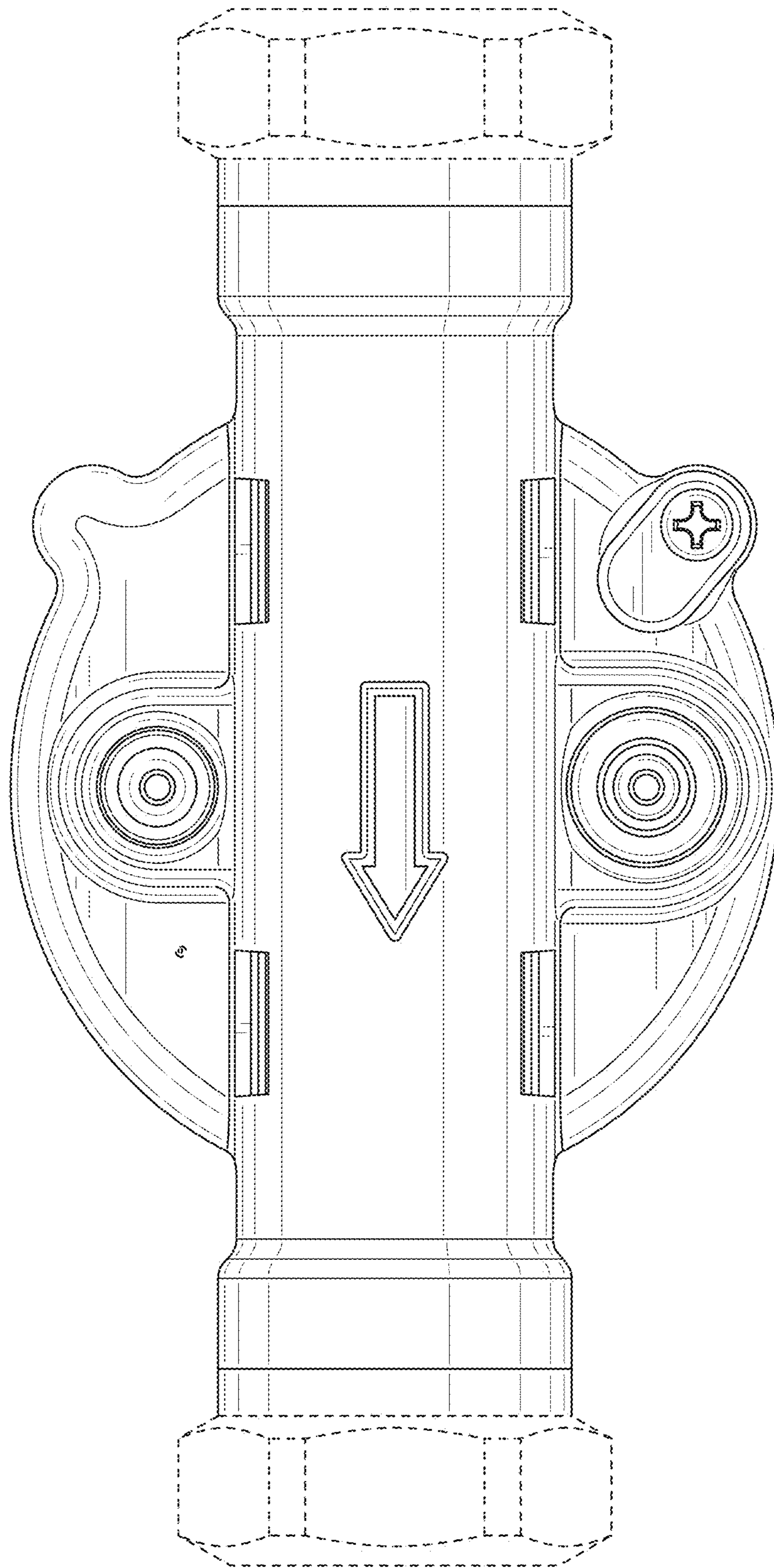


FIG. 7