



US00D891958S

(12) **United States Design Patent**
Song et al.

(10) **Patent No.:** **US D891,958 S**

(45) **Date of Patent:** **** Aug. 4, 2020**

(54) **HANDHELD METER**

(71) Applicant: **FLIR Systems AB**, Taby (SE)

(72) Inventors: **Xuan Song**, Shanghai (CN); **Zhenmei Mao**, Surrey (CA); **Hung Yi Lin**, Taipei (TW); **Victor Ku**, Yorktown Heights, NY (US)

(73) Assignee: **FLIR Systems AB**, Täby (SE)

(**) Term: **15 Years**

(21) Appl. No.: **29/675,361**

(22) Filed: **Dec. 31, 2018**

(51) **LOC (12) Cl.** **10-04**

(52) **U.S. Cl.**
USPC **D10/79**

(58) **Field of Classification Search**
USPC D10/79

CPC G01R 1/04; G01R 1/0408; G01R 1/0416;
G01R 1/0425; G01R 1/06; G01R 1/067;
G01R 1/22; G01R 15/12; G01R 15/18;
G01R 15/186; G01R 15/125; G01R 1/07;
G01R 1/16772; G01R 1/16788; G01R
1/20; G01R 1/203; G01R 1/206; G01R
1/24; G01R 1/26; G01R 1/28; G01R
1/30; G01R 1/36; G01R 1/38; G01R
1/40; G01R 1/42; G01R 1/44; G01R
15/00; G01R 15/002; G01R 15/005;
G01R 15/007; G01R 15/04; G01R 15/06;
G01R 15/08; G01R 15/09; G01R 15/14;
G01R 15/142; G01R 15/144; G01R
15/146; G01R 15/148; G01R 15/181;
G01R 15/183; G01R 15/185; G01R
15/188; G01R 15/20; G01R 15/202;
G01R 15/205; G01R 15/207; G01R
15/22; G01R 15/24; G01R 15/241; G01R
15/242; G01R 15/243; G01R 15/245;
G01R 15/246; G01R 15/247; G01R
15/248; G01R 15/26; G01R 1/02; G01R
1/025; G01R 1/0433; G01R 1/0441;
G01R 1/045; G01R 1/0458; G01R

1/0466; G01R 1/0475; G01R 1/0483;
G01R 1/0491; G01R 1/06777; G01R
1/06788; G01R 15/16; G01R 19/14;
G01R 19/169;

(Continued)

(56) **References Cited**

U.S. PATENT DOCUMENTS

D399,150 S * 10/1998 Fisher D10/78
D399,151 S * 10/1998 Fisher D10/78

(Continued)

OTHER PUBLICATIONS

“Datasheet: Stock No. 123-3232, RS PRO ICM A5 Clamp Meter”,
RS PRO, [retrieved on Feb. 26, 2019], 3 pages [online]. Retrieved
from the Internet: <<https://www.alliedelec.com/m/d/2f311b6bdcad8ee90e8ba69a9b89fd81.pdf>>.

(Continued)

Primary Examiner — Antoine Duval Davis

(74) *Attorney, Agent, or Firm* — Haynes and Boone, LLP

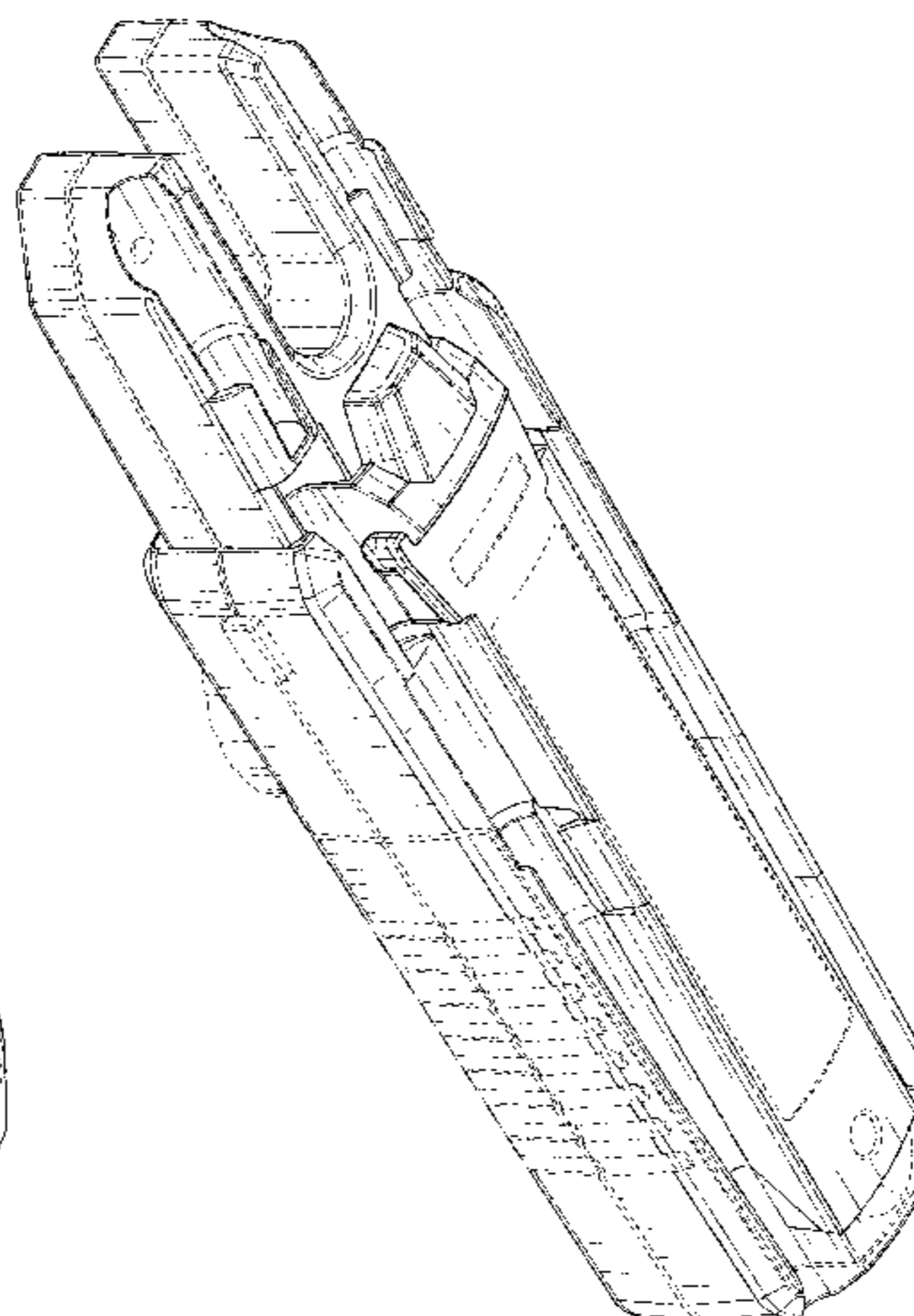
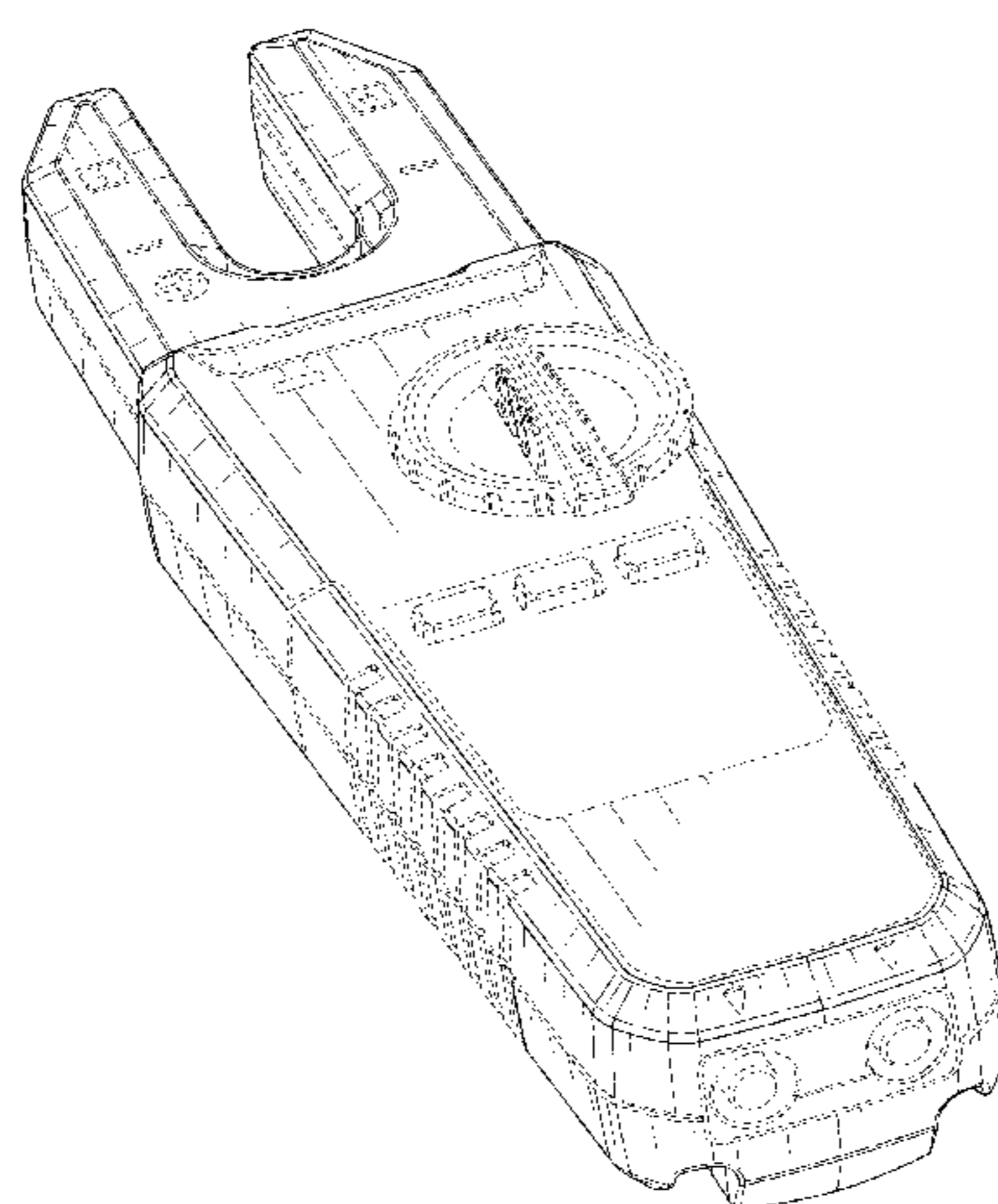
(57) **CLAIM**

The ornamental design for a handheld meter, as shown and
described.

DESCRIPTION

FIG. 1 is a front, right, and bottom perspective view of a
handheld meter embodying the new design;
FIG. 2 is a rear, left, and top perspective view thereof;
FIG. 3 is a front elevational view thereof;
FIG. 4 is a rear elevational view thereof;
FIG. 5 is a right side view thereof;
FIG. 6 is a left side view thereof;
FIG. 7 is a top plan view thereof; and,
FIG. 8 is a bottom plan view thereof.

(Continued)



The broken lines in the figures are shown for the purpose of illustrating portions of the handheld meter and/or environmental matter and form no part of the claimed design.

1 Claim, 5 Drawing Sheets

(58) **Field of Classification Search**

CPC G01R 19/16528; G01R 19/16561; G01R
15/165; G01R 19/145; G01R 19/15;
G01R 19/155

See application file for complete search history.

(56) **References Cited**

U.S. PATENT DOCUMENTS

D490,331 S * 5/2004 Kuramoto D10/79
D712,763 S * 9/2014 Zhenmei D10/80
D813,697 S * 3/2018 Chang D10/79

OTHER PUBLICATIONS

“Fluke T5-600 Voltage, Continuity and Current Tester”, FLUKE, [retrieved on Feb. 26, 2019], 3 pages [online]. Retrieved from the Internet: <<https://www.fluke.com/en-us/product/electrical-testing/basic-testers/fluke-t5-600>>.

* cited by examiner

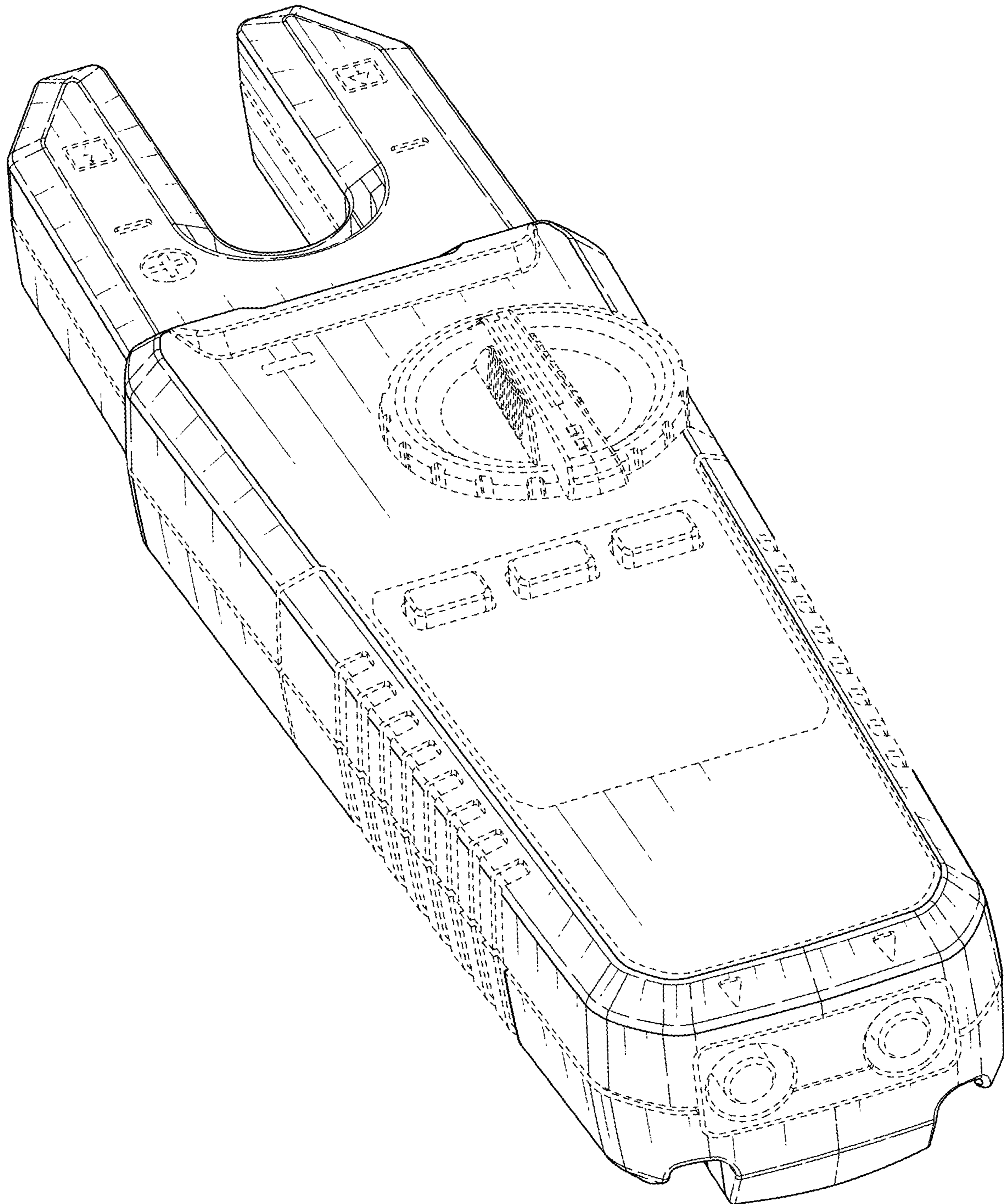


FIG. 1

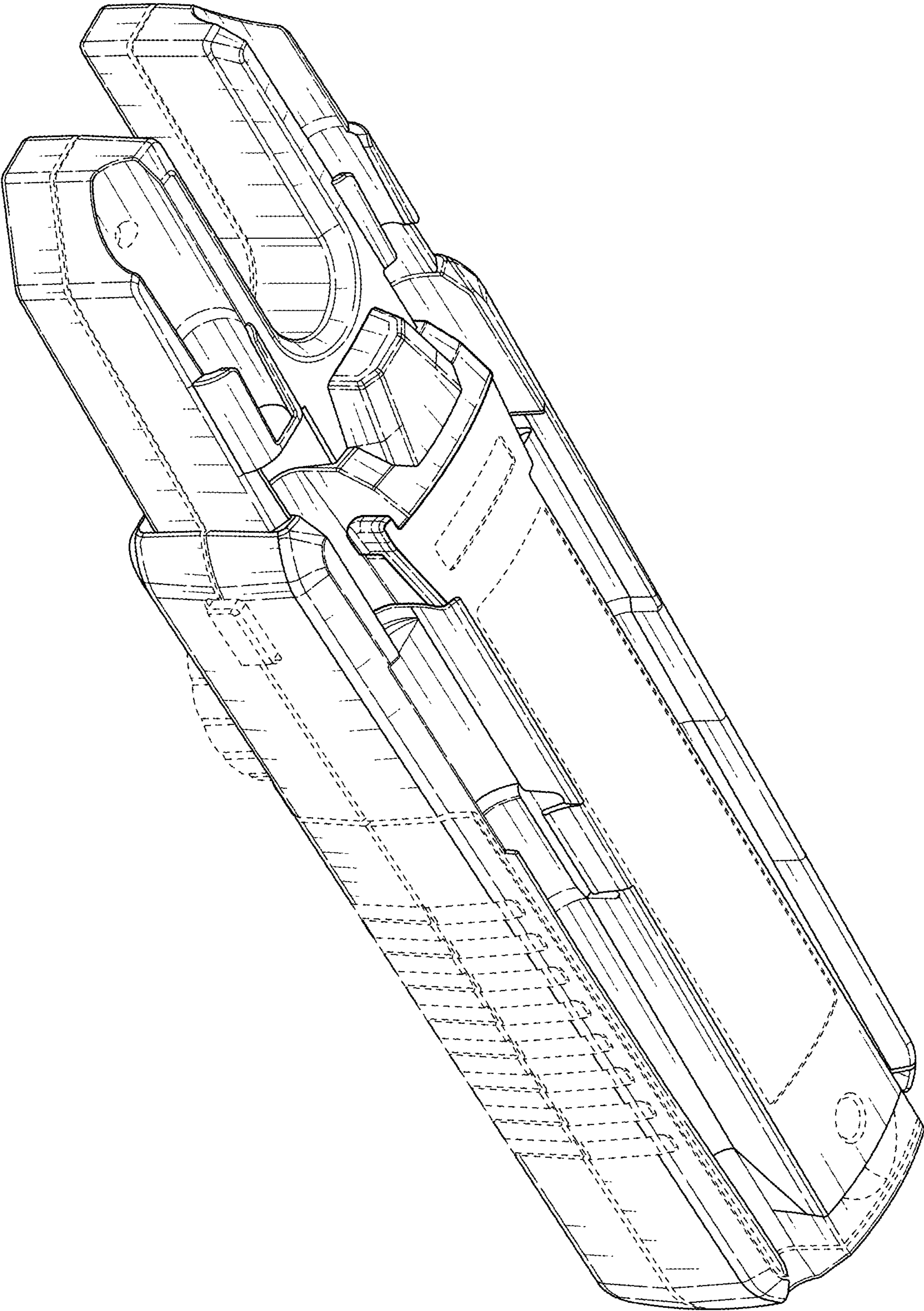


FIG. 2

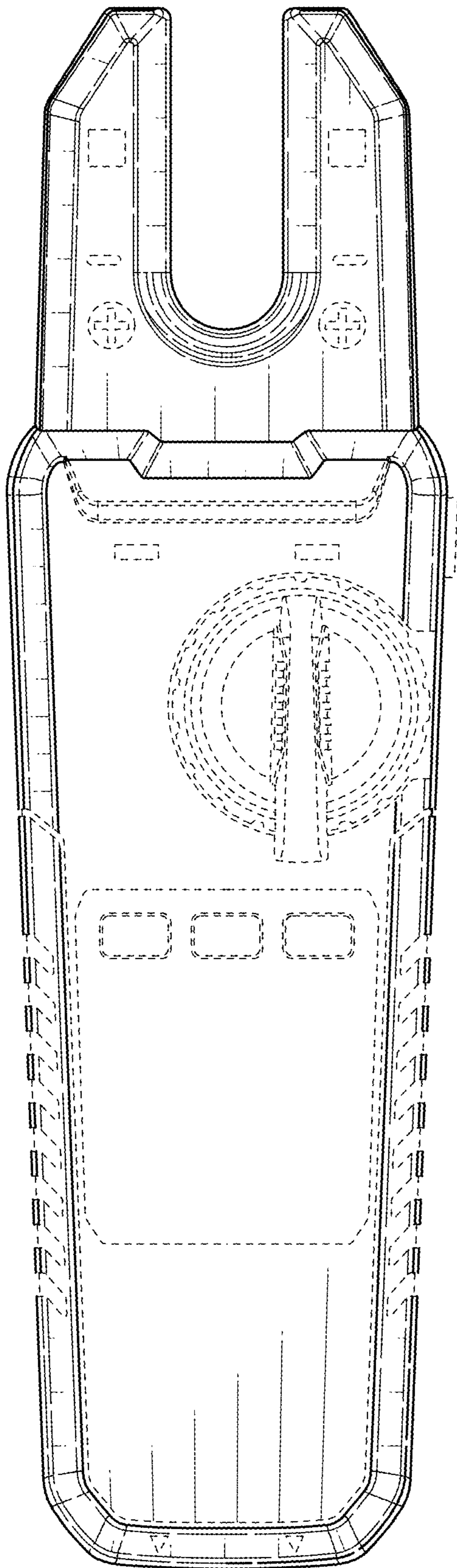


FIG. 3

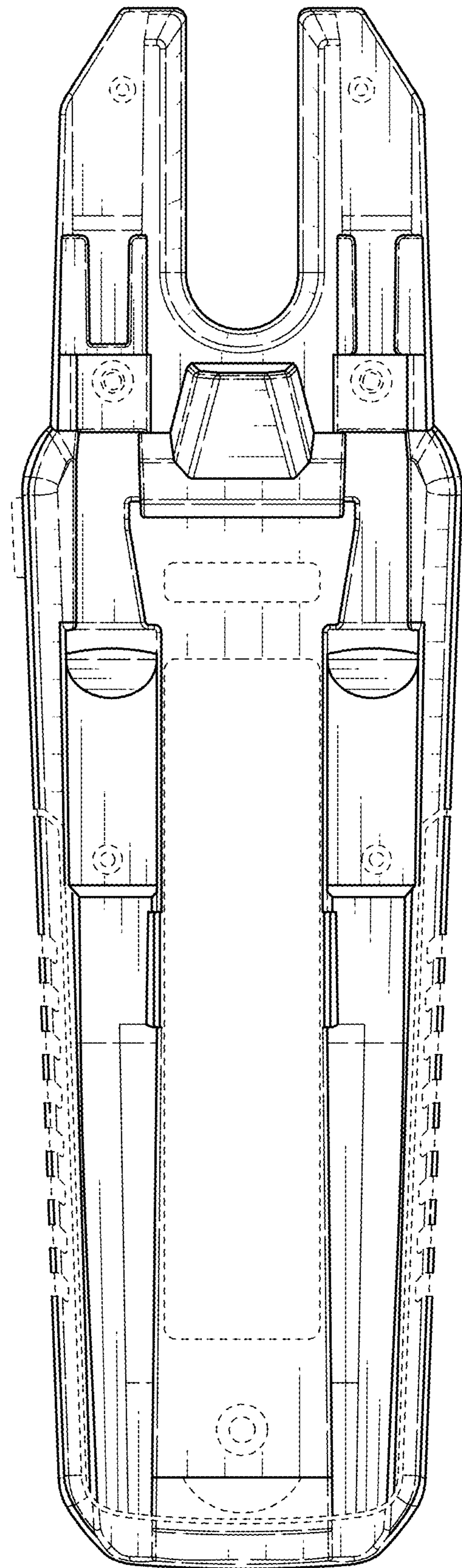


FIG. 4

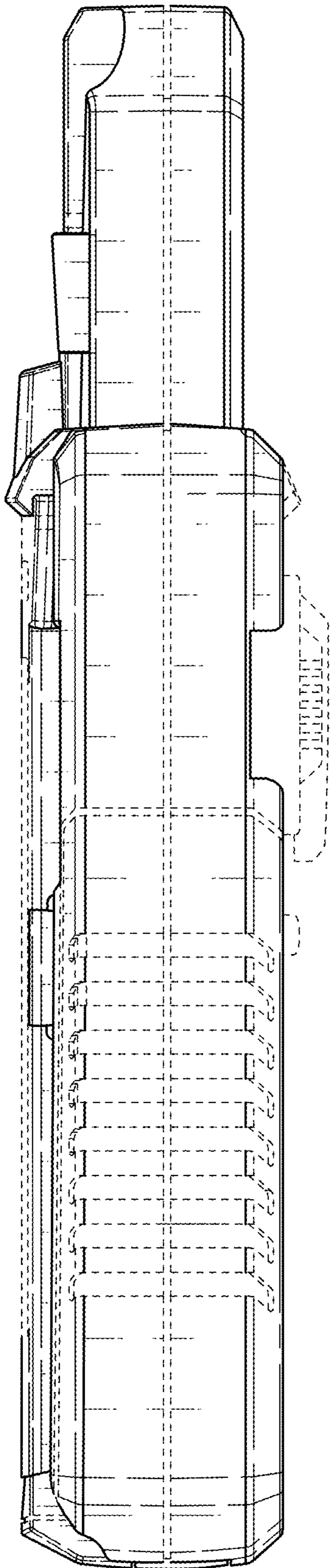


FIG. 5

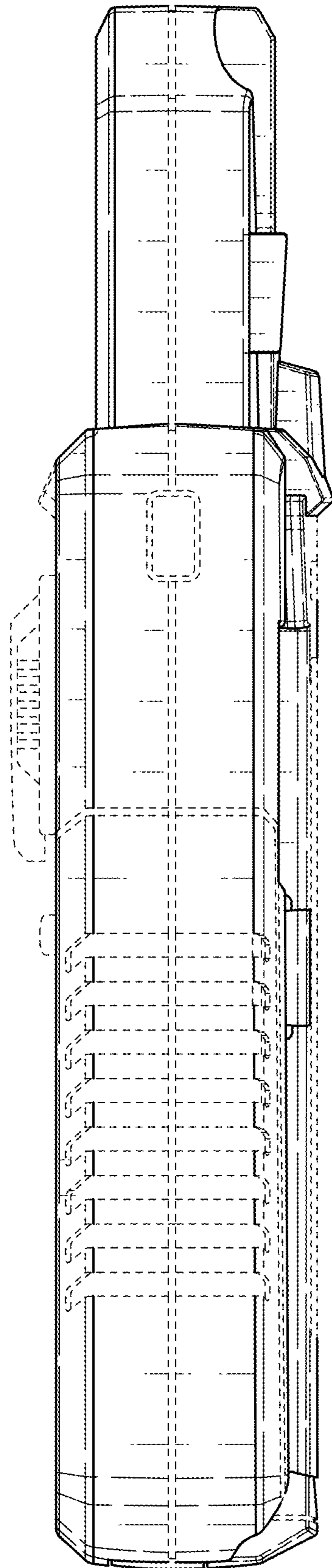


FIG. 6

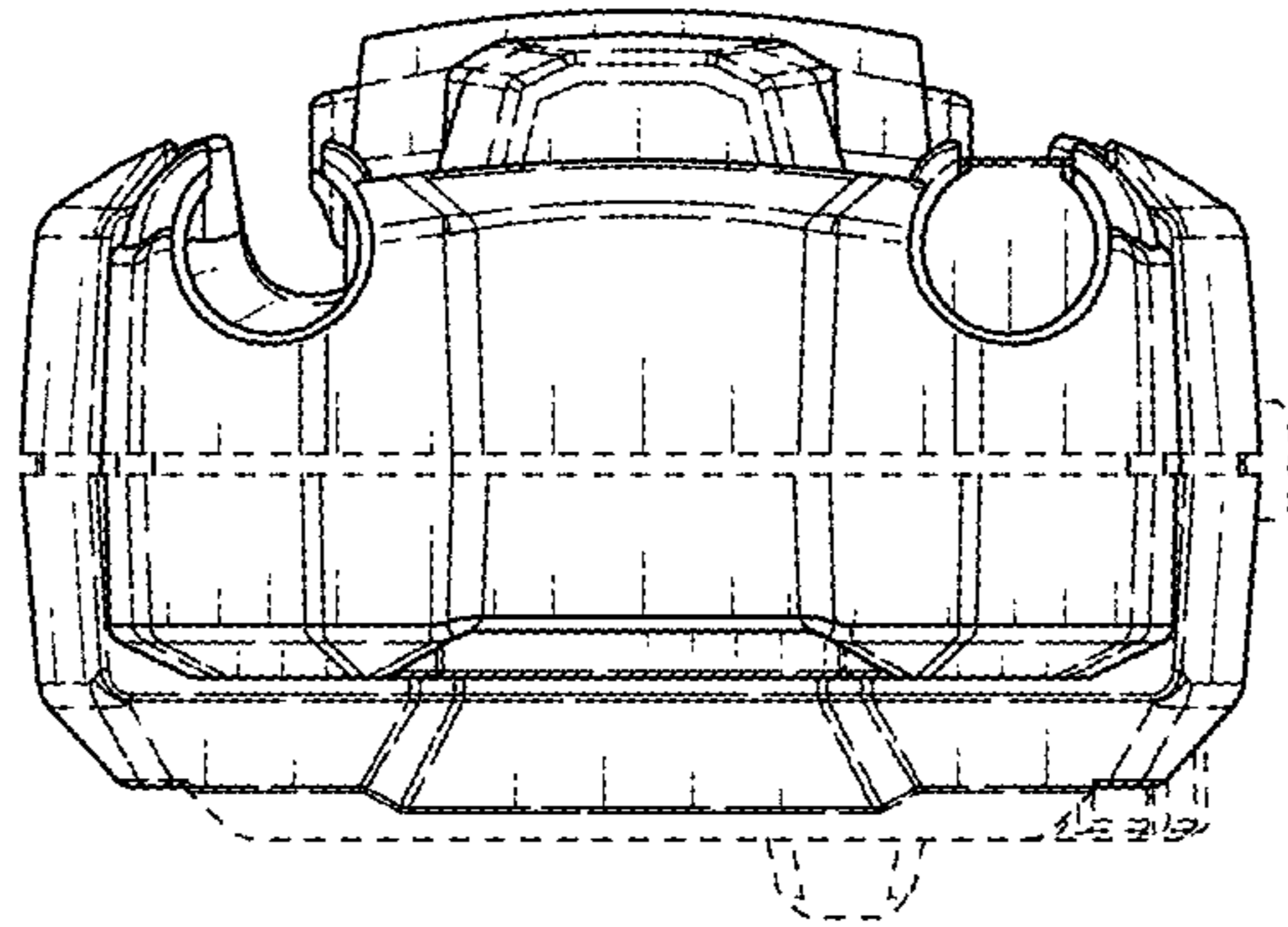


FIG. 7

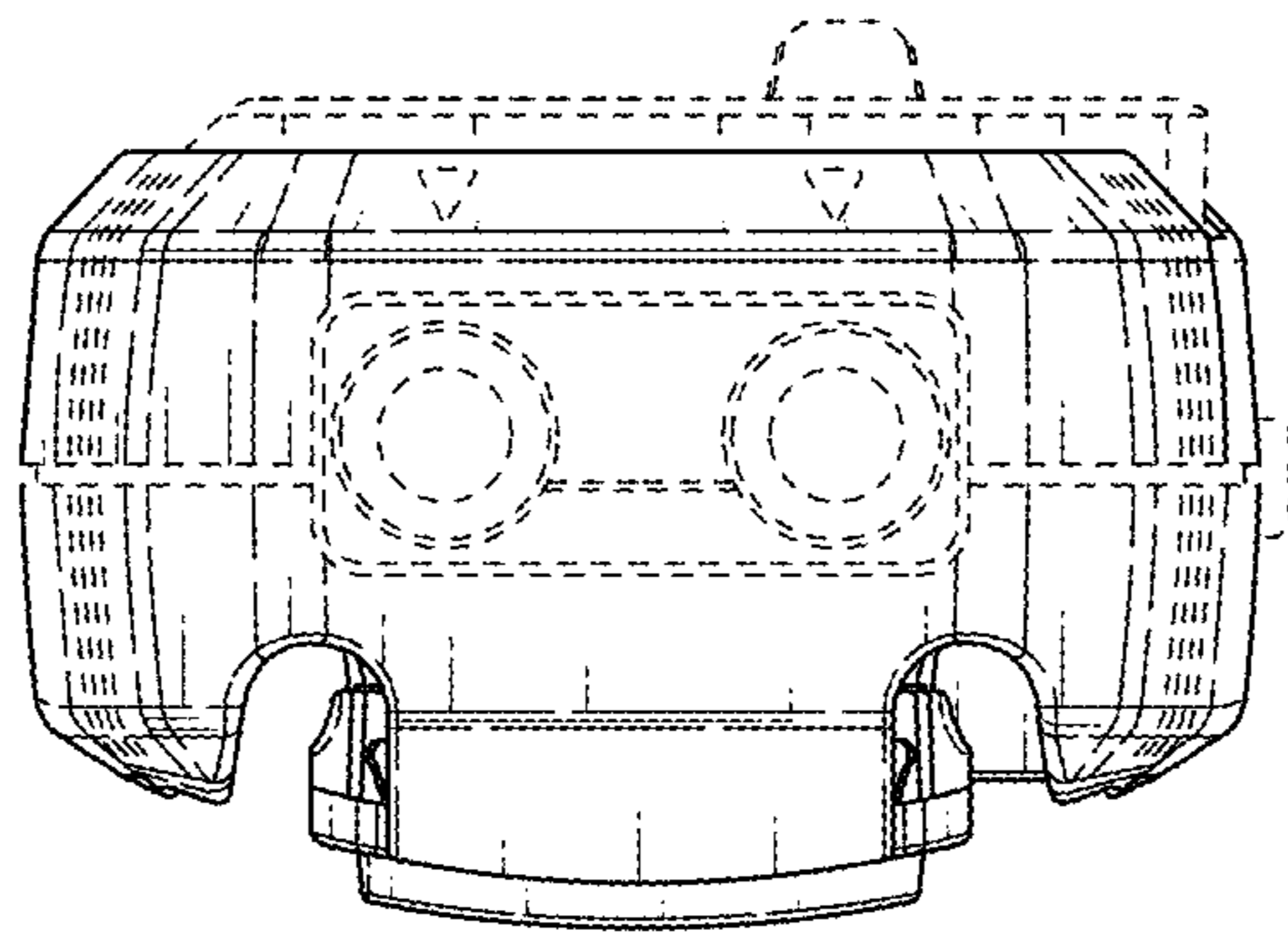


FIG. 8