



US00D891956S

(12) **United States Design Patent** (10) **Patent No.:** **US D891,956 S**  
**Myska** (45) **Date of Patent:** **\*\* Aug. 4, 2020**

(54) **SLOTTED RULER**

(71) Applicant: **My Sweet Petunia, Inc.**, Sherrard, IL (US)

(72) Inventor: **Iliana Myska**, Sherrard, IL (US)

(73) Assignee: **My Sweet Petunia, Inc.**, Sherrard, IL (US)

(\*\*) Term: **15 Years**

(21) Appl. No.: **29/676,998**

(22) Filed: **Jan. 16, 2019**

(51) **LOC (12) Cl.** ..... **10-04**

(52) **U.S. Cl.**  
USPC ..... **D10/71**

(58) **Field of Classification Search**  
USPC ..... D10/71  
CPC ..... G01B 3/00; G01B 3/002; G01B 3/004;  
G01B 3/006; G01B 3/008; G01B 3/02;  
G01B 3/04; B43L 13/145  
See application file for complete search history.

(56) **References Cited**

**U.S. PATENT DOCUMENTS**

D371,978 S \* 7/1996 Ekeoba ..... D10/71

**OTHER PUBLICATIONS**

Acme Plastic Ruler 18", Zero Centering. <https://www.walmart.com/ip/Acme-Plastic-Ruler-18-Zero-Centering/24419321> (last accessed Jan. 16, 2019).

(Continued)

Primary Examiner — Antoine Duval Davis

(74) *Attorney, Agent, or Firm* — Shane Cortesi

(57) **CLAIM**

The ornamental design for a slotted ruler, as shown and described.

**DESCRIPTION**

FIG. 1 is a perspective view of a slotted ruler in accordance with one embodiment of the present invention.

FIG. 2 is a top plan view thereof.

FIG. 3 is a front elevation view thereof, with the rear being a mirror image thereof.

FIG. 4 is a right side elevation view thereof, with the left side being a mirror image thereof.

FIG. 5 is a bottom plan view thereof.

FIG. 6 is a perspective view of a slotted ruler in accordance with another embodiment of the present invention.

FIG. 7 is a top plan view thereof.

FIG. 8 is a front elevation view thereof, with the rear being a mirror image thereof.

FIG. 9 is a right side elevation view thereof, with the left side being a mirror image thereof.

FIG. 10 is a bottom plan view thereof.

FIG. 11 is a perspective view of a slotted ruler in accordance with another embodiment of the present invention.

FIG. 12 is a top plan view thereof.

FIG. 13 is a front elevation view thereof, with the rear being a mirror image thereof.

FIG. 14 is a right side elevation view thereof, with the left side being a mirror image thereof.

FIG. 15 is a bottom plan view thereof.

FIG. 16 is a perspective view of a slotted ruler in accordance with another embodiment of the present invention.

FIG. 17 is a top plan view thereof.

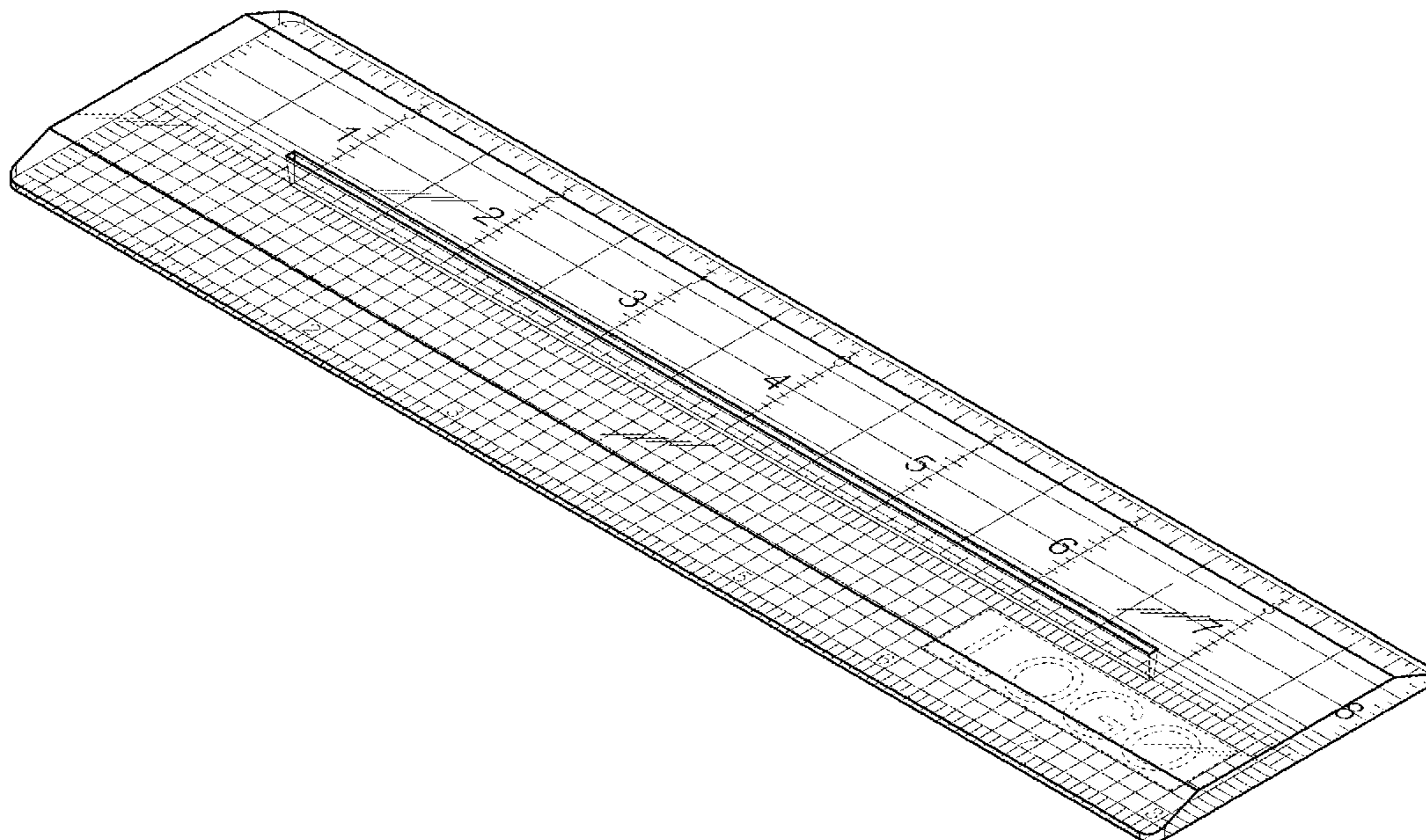
FIG. 18 is a front elevation view thereof, with the rear being a mirror image thereof.

FIG. 19 is a right side elevation view thereof, with the left side being a mirror image thereof; and,

FIG. 20 is a bottom plan view thereof.

The broken lines shown in the Figures depict environmental subject matter only and are not part of the claimed design.

**1 Claim, 8 Drawing Sheets**



(56)

**References Cited**

OTHER PUBLICATIONS

Clover Bias Tape Cutting Ruler. [https://www.amazon.com/Clover-Bias-Tape-Cutting-Ruler/dp/B001EF35A2/ref=sr\\_1\\_1?ie=UTF8&qid=1547670823&sr=8-1&keywords=Clover+Bias+Tape+Cutting+Ruler](https://www.amazon.com/Clover-Bias-Tape-Cutting-Ruler/dp/B001EF35A2/ref=sr_1_1?ie=UTF8&qid=1547670823&sr=8-1&keywords=Clover+Bias+Tape+Cutting+Ruler) (last accessed Jan. 16, 2019).

Dritz See-Thru Dressmaker'S Ruler. [https://www.amazon.com/Dritz-621-See-Thru-DressmakerS-Ruler/dp/B00114TDW0/ref=sr\\_1\\_2?ie=UTF8&qid=1547670898&sr=8-2&keywords=Dritz+See-Thru+Dressmaker%27S+Ruler](https://www.amazon.com/Dritz-621-See-Thru-DressmakerS-Ruler/dp/B00114TDW0/ref=sr_1_2?ie=UTF8&qid=1547670898&sr=8-2&keywords=Dritz+See-Thru+Dressmaker%27S+Ruler) (last accessed Jan. 16, 2019).

\* cited by examiner

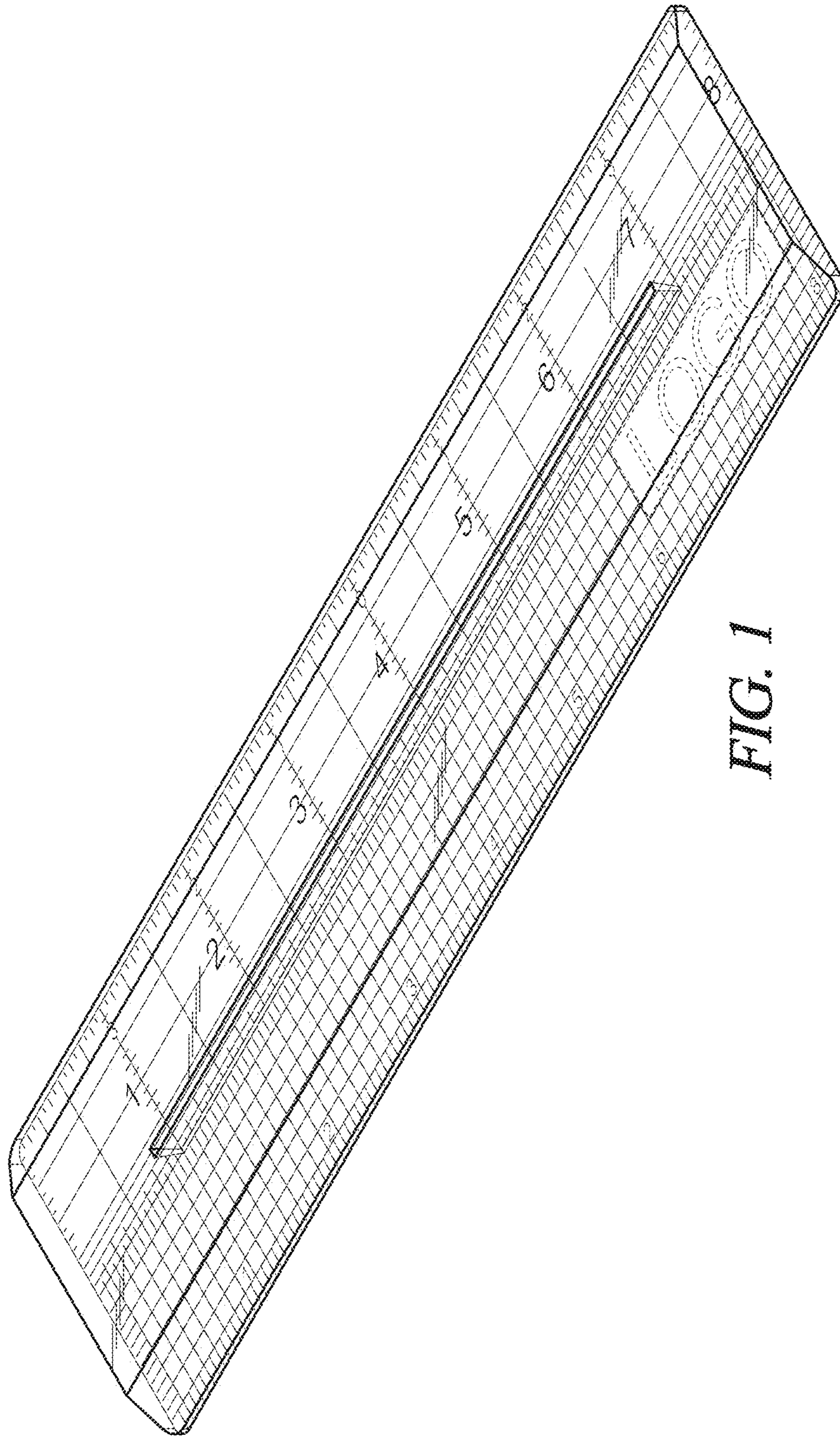


FIG. 1

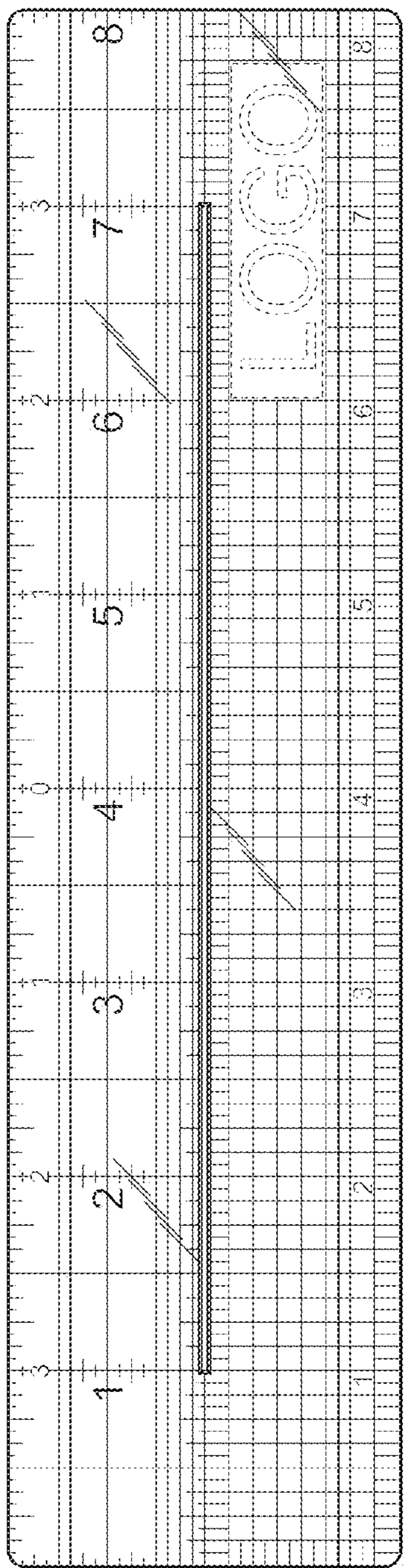


FIG. 2



FIG. 3



FIG. 4

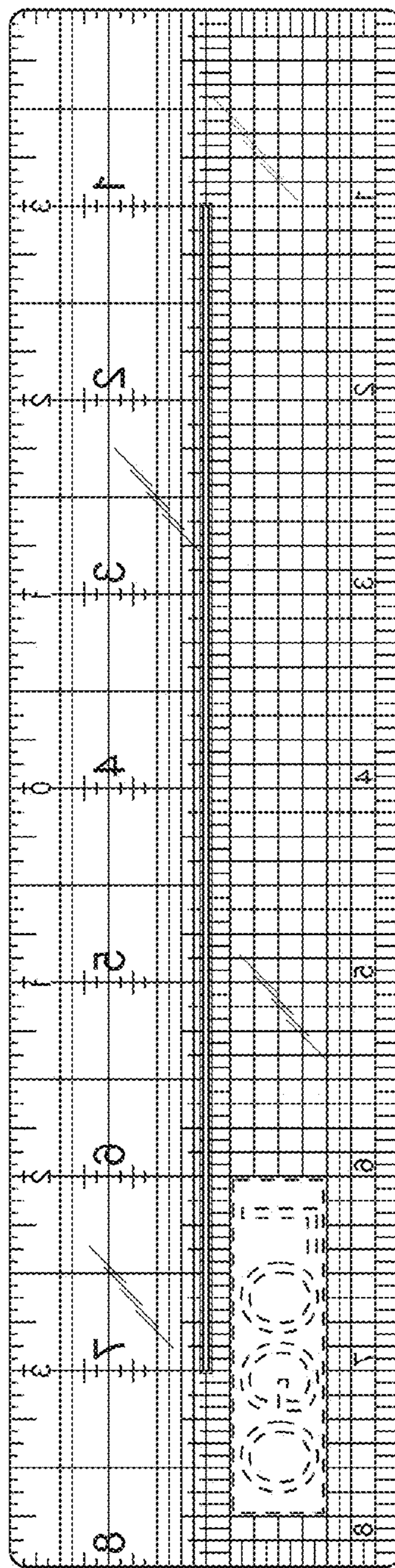


FIG. 5

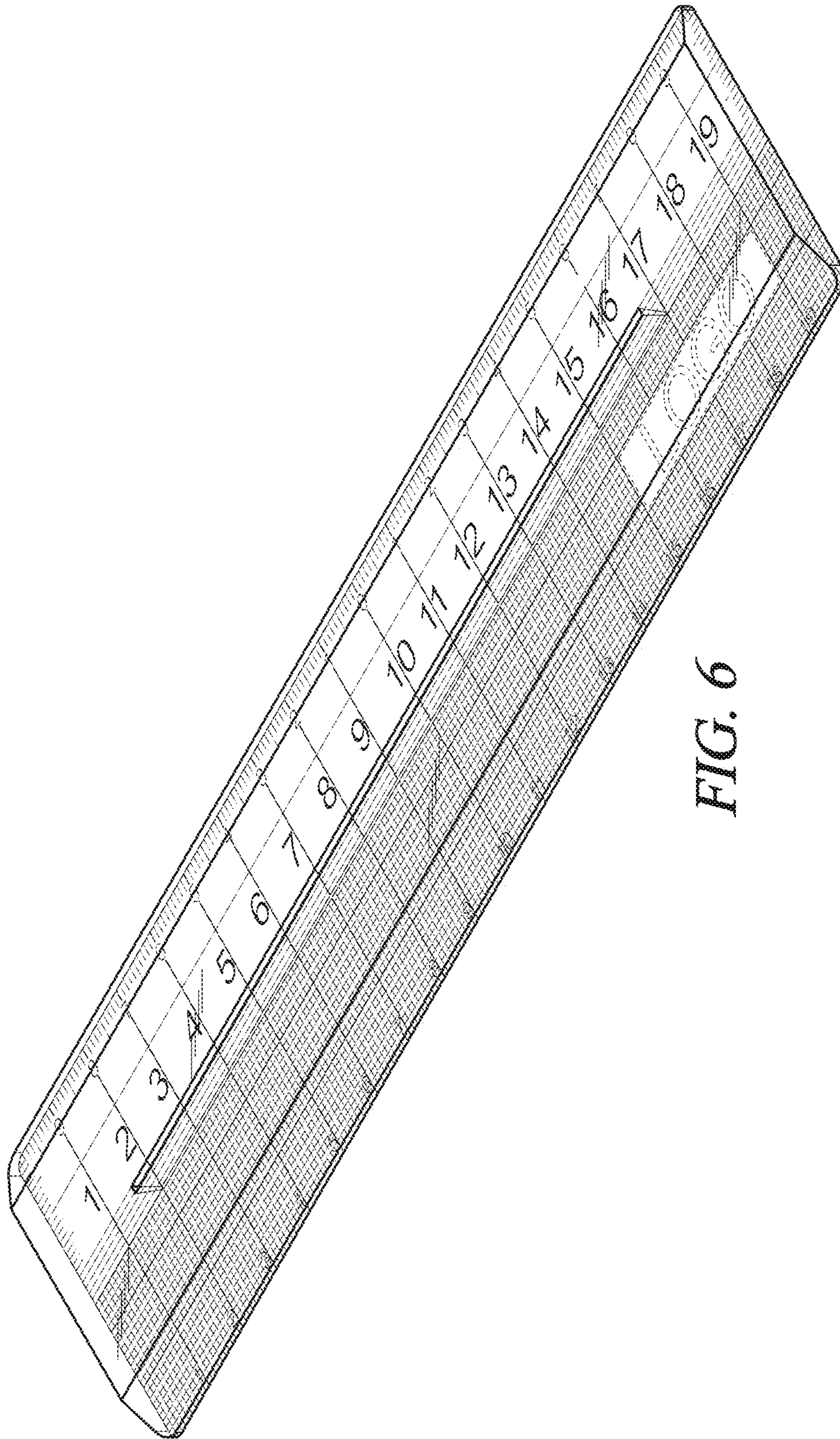


FIG. 6

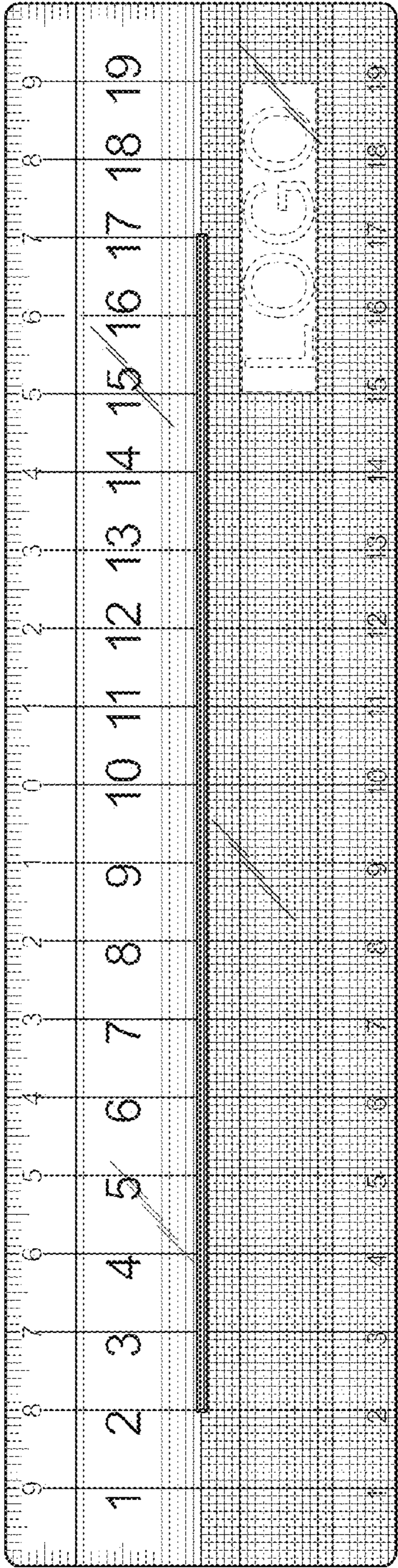


FIG. 7



FIG. 8

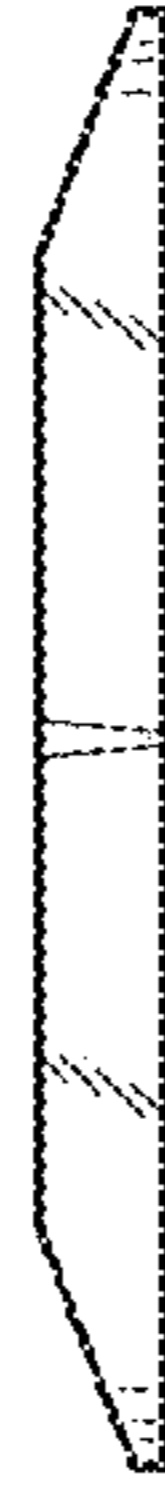


FIG. 9

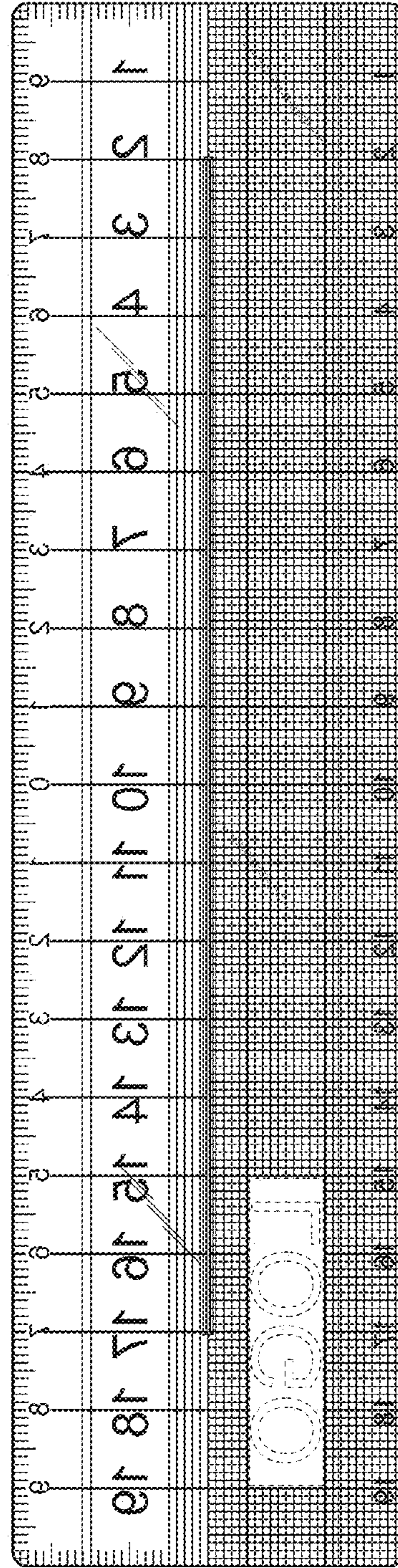


FIG. 10

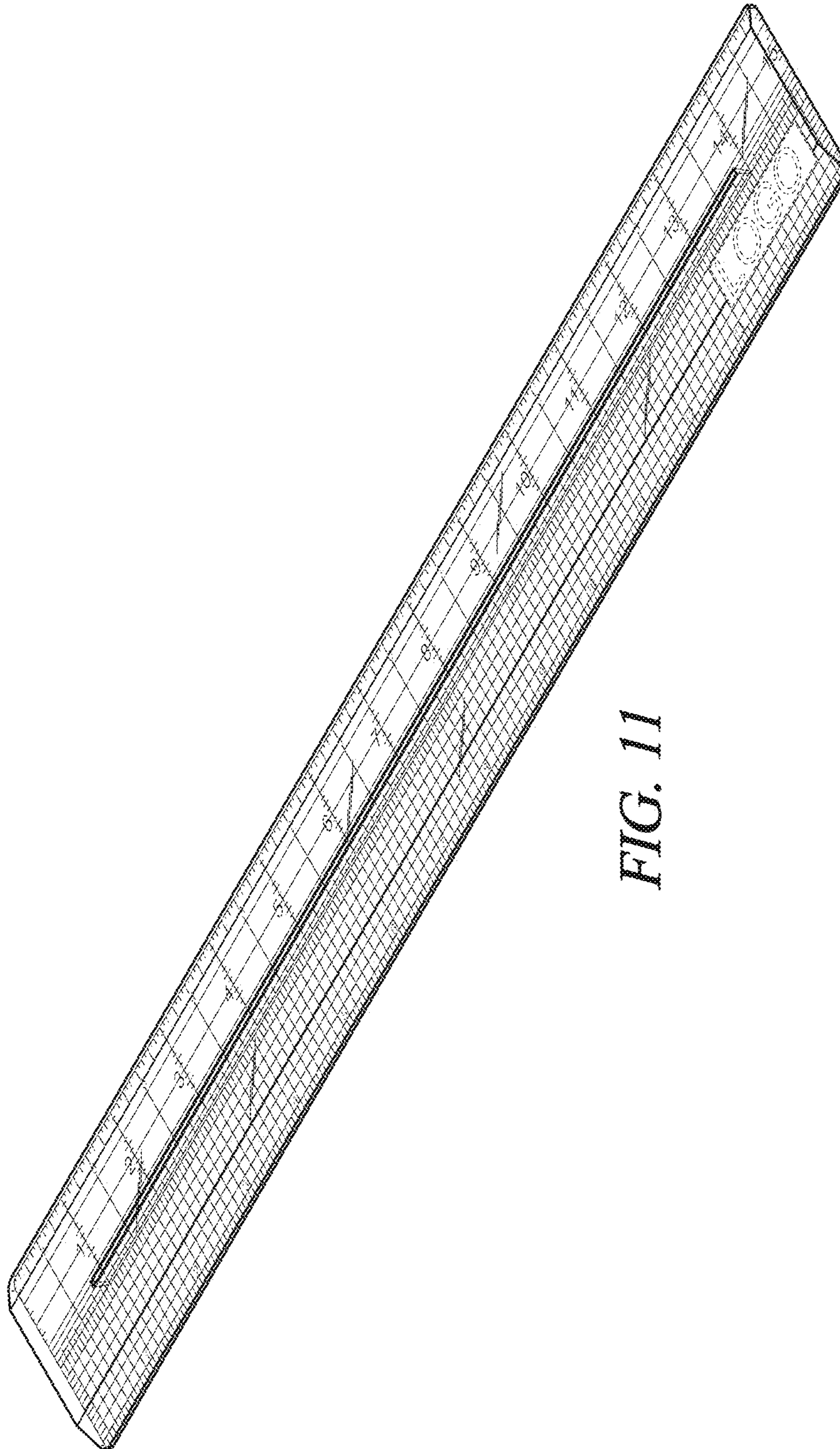


FIG. 11

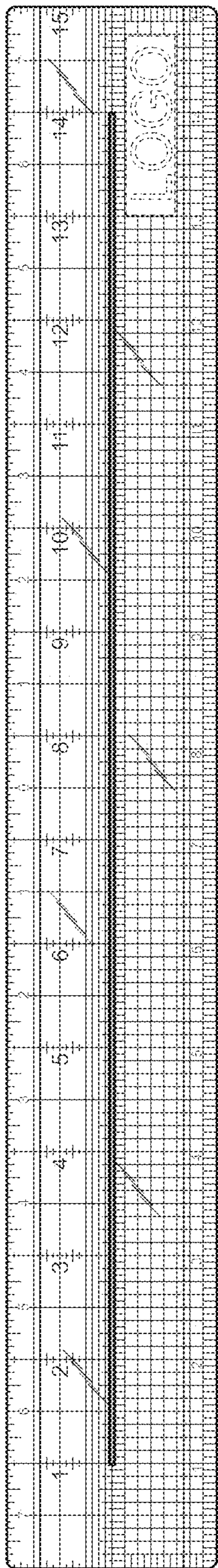


FIG. 12



FIG. 13



FIG. 14

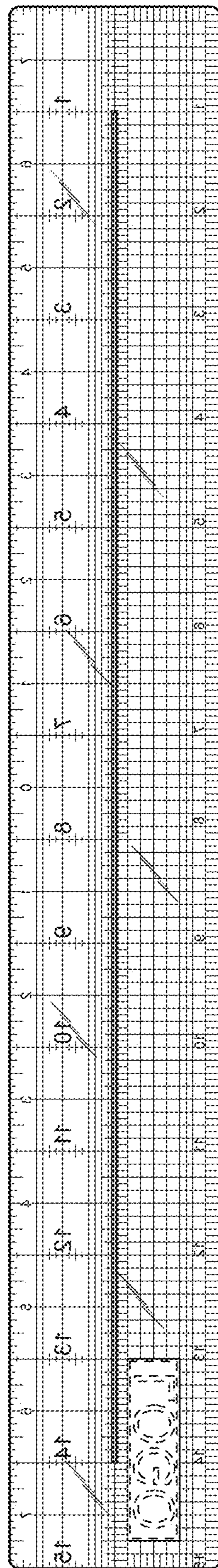


FIG. 15



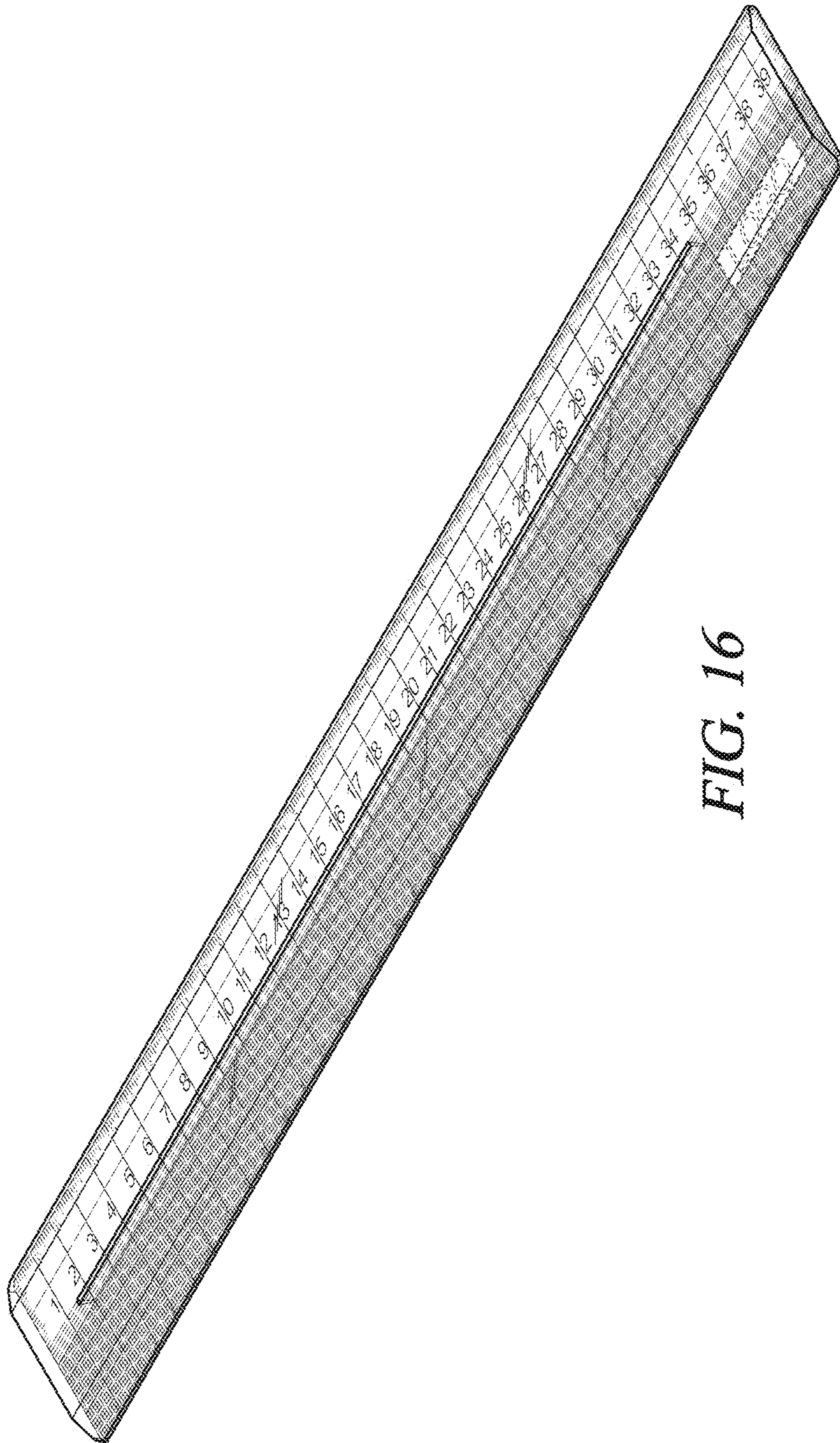


FIG. 16

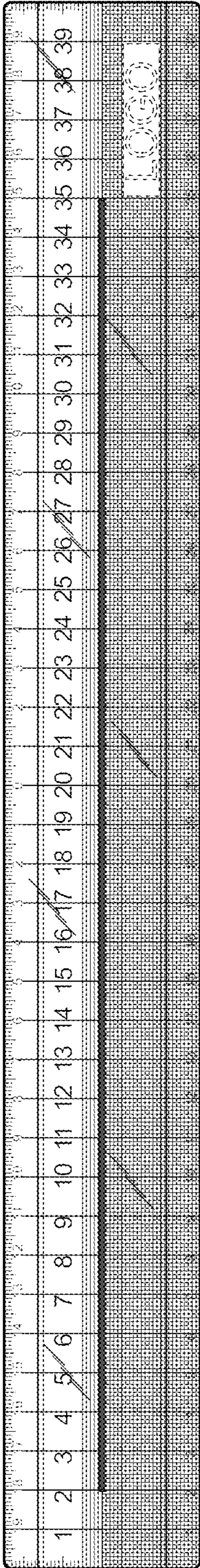


FIG. 17



FIG. 18



FIG. 19

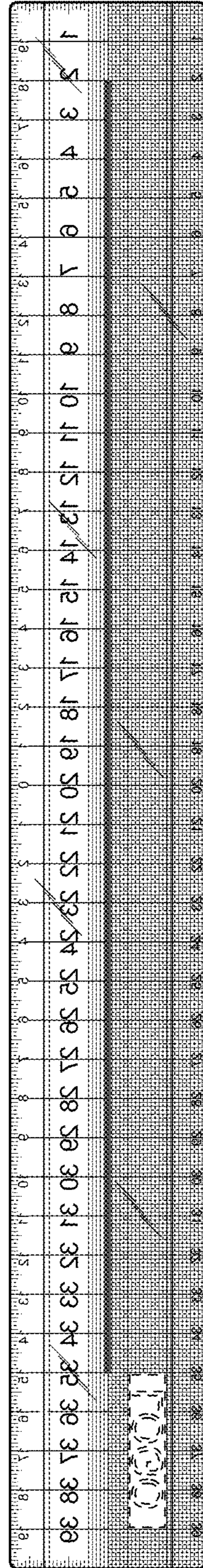


FIG. 20