



US00D891954S

(12) **United States Design Patent**  
**Ruzzi et al.**

(10) **Patent No.:** **US D891,954 S**  
(45) **Date of Patent:** **\*\* Aug. 4, 2020**

(54) **PLANT DETECTOR**

(71) Applicant: **Trimble Inc.**, Sunnyvale, CA (US)

(72) Inventors: **Melissa Ruzzi**, Sunnyvale, CA (US);  
**Kenneth S. Bradley**, Mountain View,  
CA (US); **James G. Quaderer**,  
Sunnyvale, CA (US); **Daniel  
Rodriguez**, Sunnyvale, CA (US); **Chao  
Y. Lee**, Fremont, CA (US); **Kenneth R.  
Agur**, San Jose, CA (US)

(73) Assignee: **Trimble Inc.**, Sunnyvale, CA (US)

(\*\*) Term: **15 Years**

(21) Appl. No.: **29/682,351**

(22) Filed: **Mar. 4, 2019**

(51) **LOC (12) Cl.** ..... **10-04**

(52) **U.S. Cl.**  
USPC ..... **D10/70; D10/46; D10/81**

(58) **Field of Classification Search**  
USPC ..... D10/46, 70, 81  
CPC ..... A01M 21/043; A01M 7/0089; G06T 1/20;  
G06T 2207/10028; G06T 2207/10024;  
G06K 9/627; G06K 9/52; G06K 9/00986;  
B05B 12/122; B05B 12/02

See application file for complete search history.

(56) **References Cited**

U.S. PATENT DOCUMENTS

5,768,823 A \* 6/1998 Nelson ..... G01S 7/539  
47/1.7  
2020/0064190 A1\* 2/2020 Quaderer ..... A01M 21/00

\* cited by examiner

*Primary Examiner* — Antoine Duval Davis

(74) *Attorney, Agent, or Firm* — Kilpatrick Townsend &  
Stockton LLP

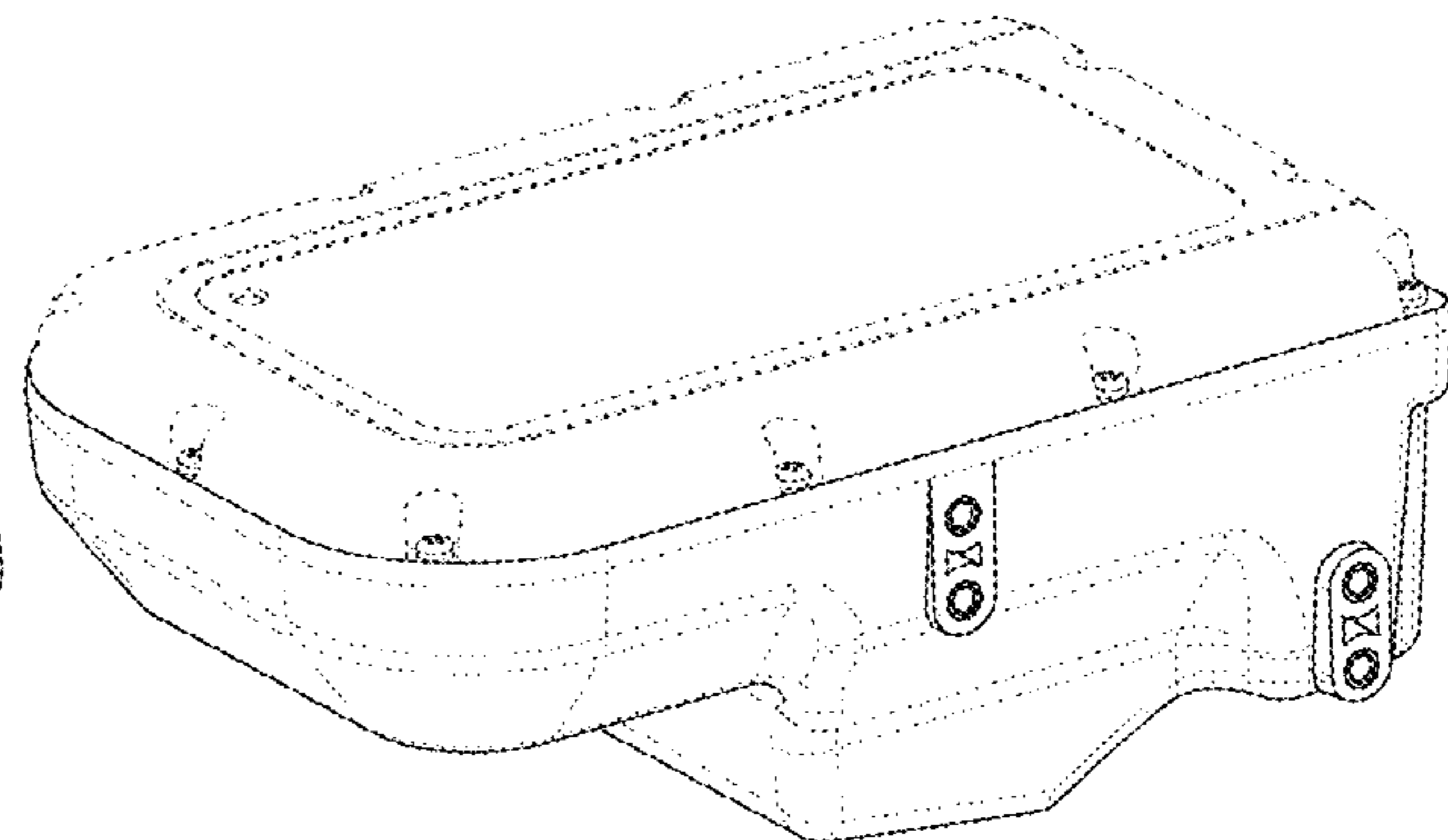
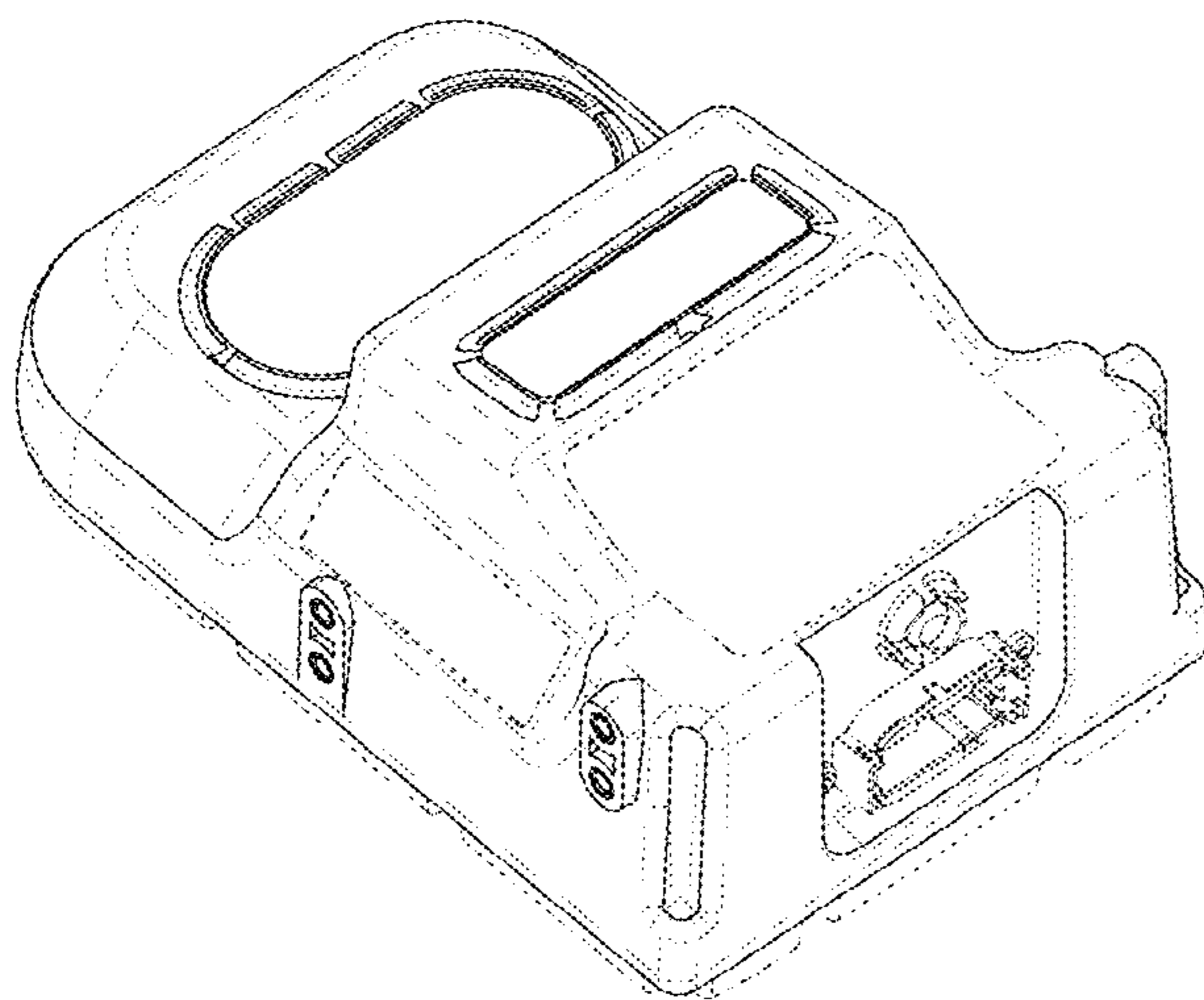
(57) **CLAIM**

The ornamental design for plant detector, as shown and  
described.

**DESCRIPTION**

FIG. 1 is a front, right side perspective view of a plant  
detector showing our new design;  
FIG. 2 is a back, left side perspective view thereof;  
FIG. 3 is a back elevation view thereof;  
FIG. 4 is a left side elevation view thereof; and,  
FIG. 5 is a bottom plan view thereof.

**1 Claim, 5 Drawing Sheets**



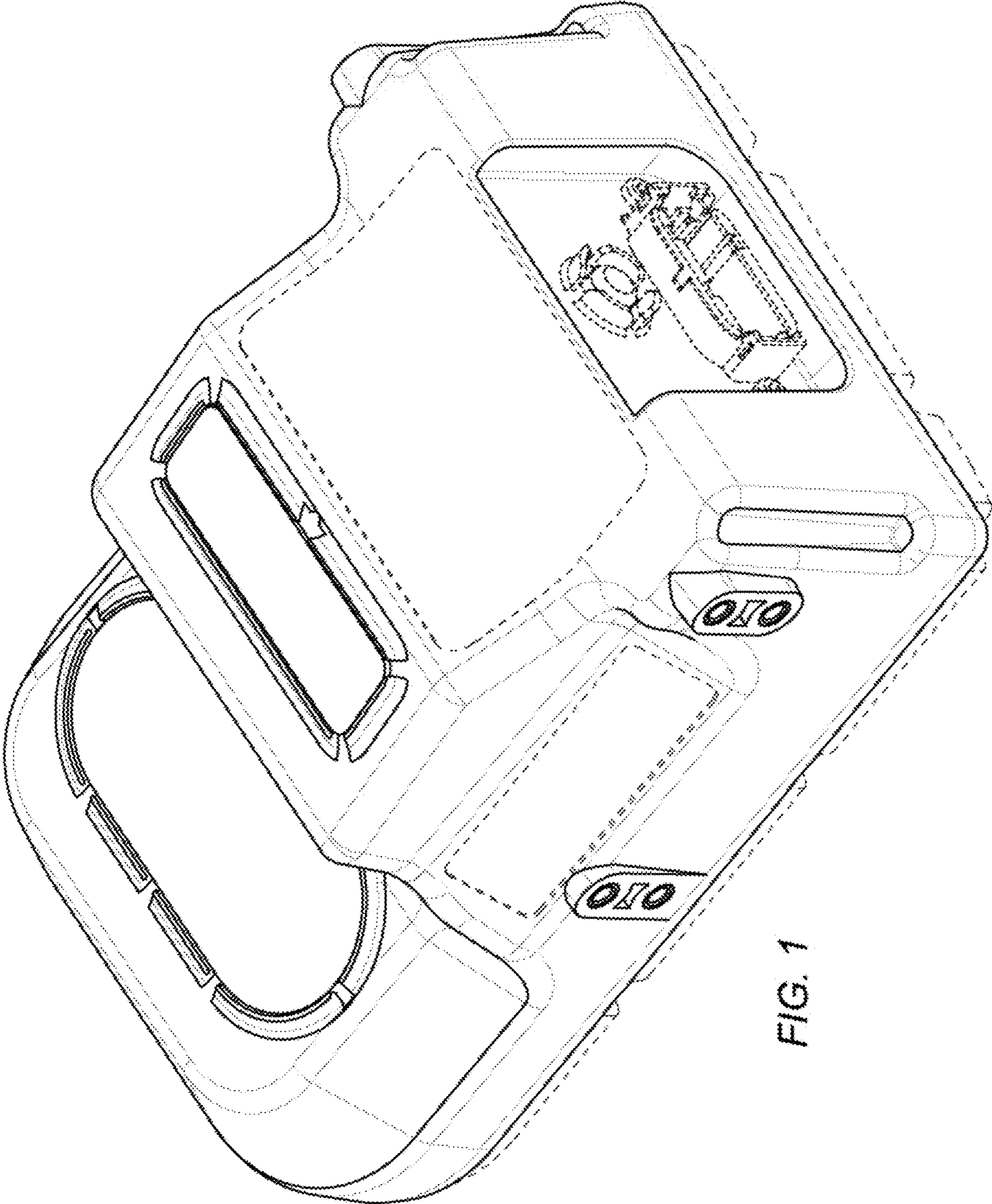


FIG. 1

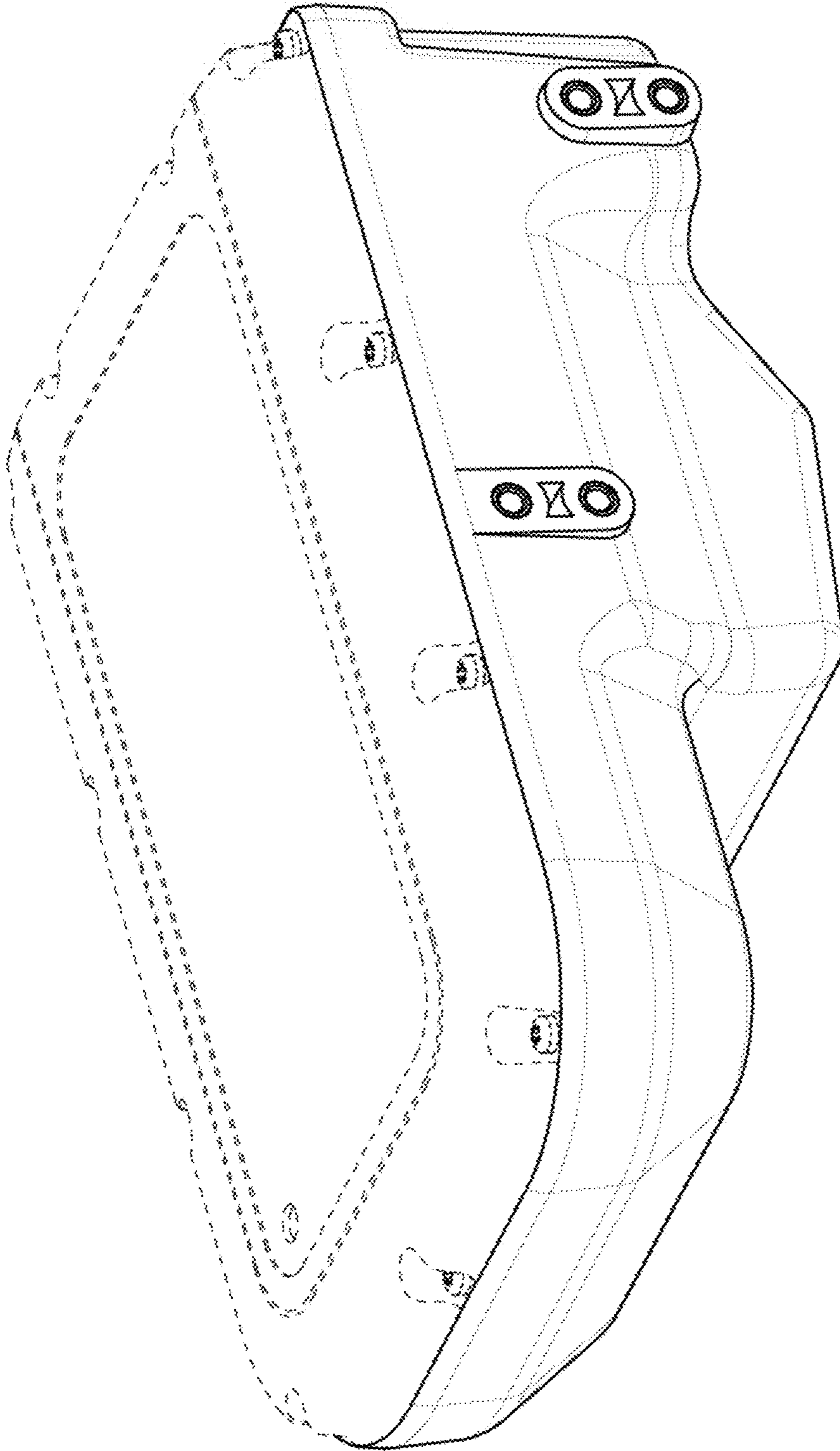


FIG. 2

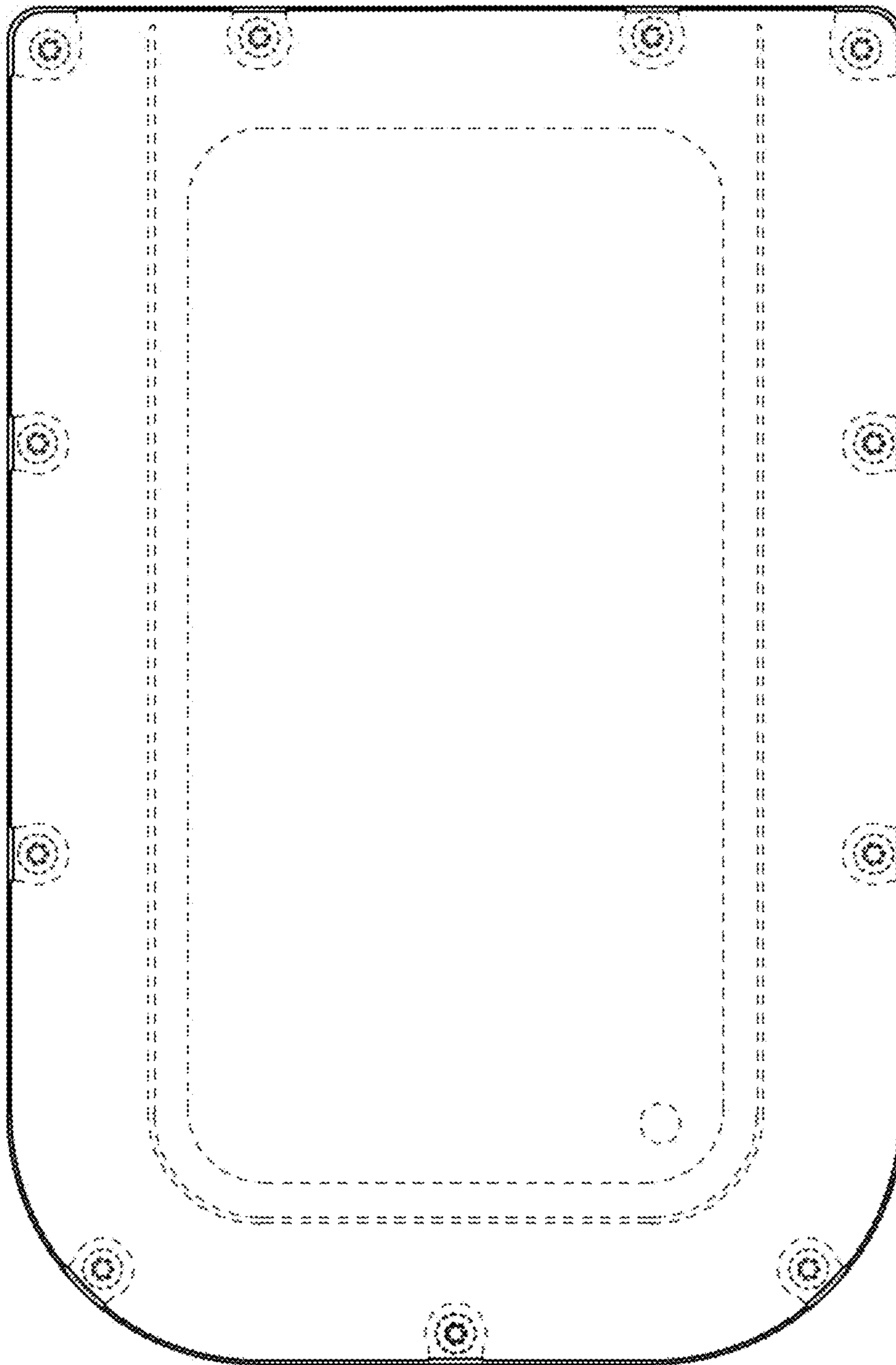


FIG. 3

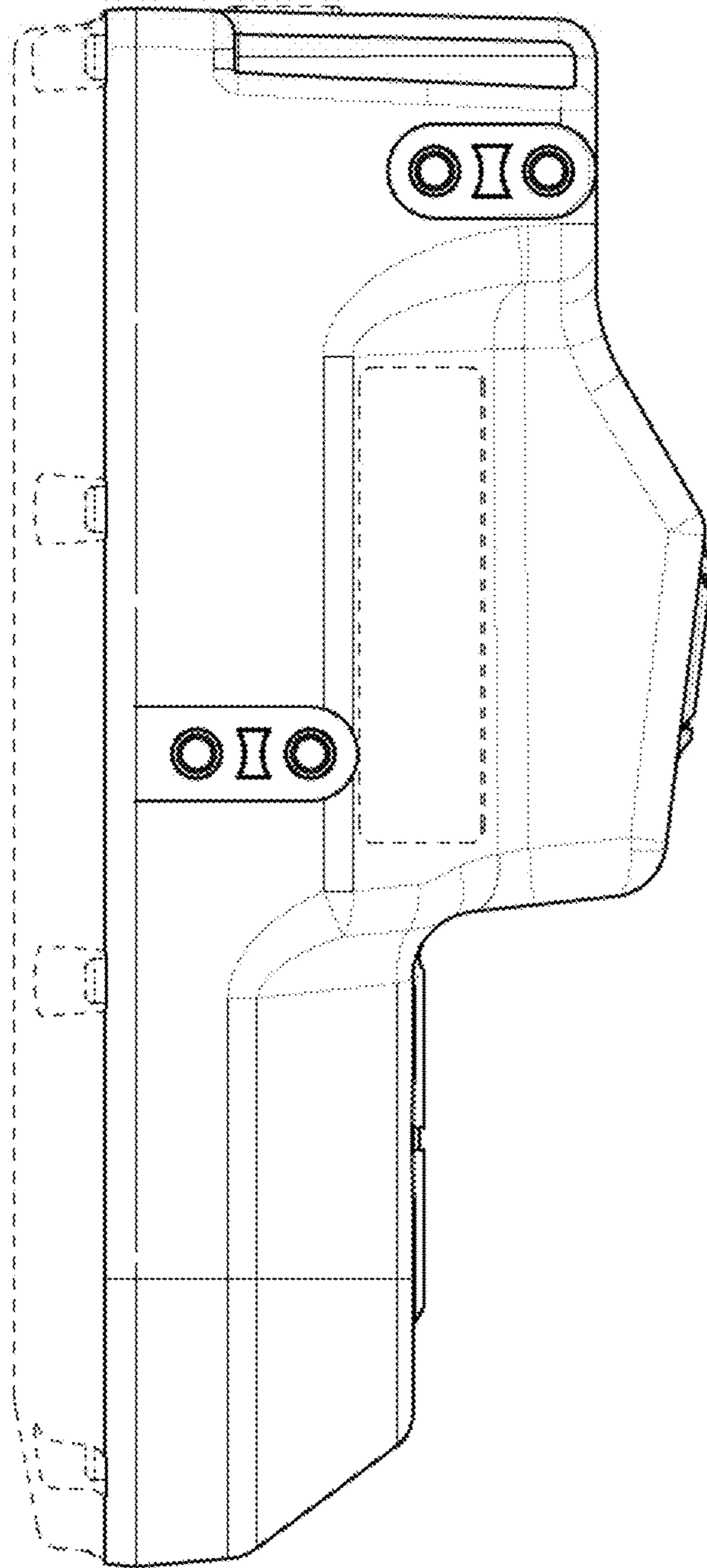


FIG. 4

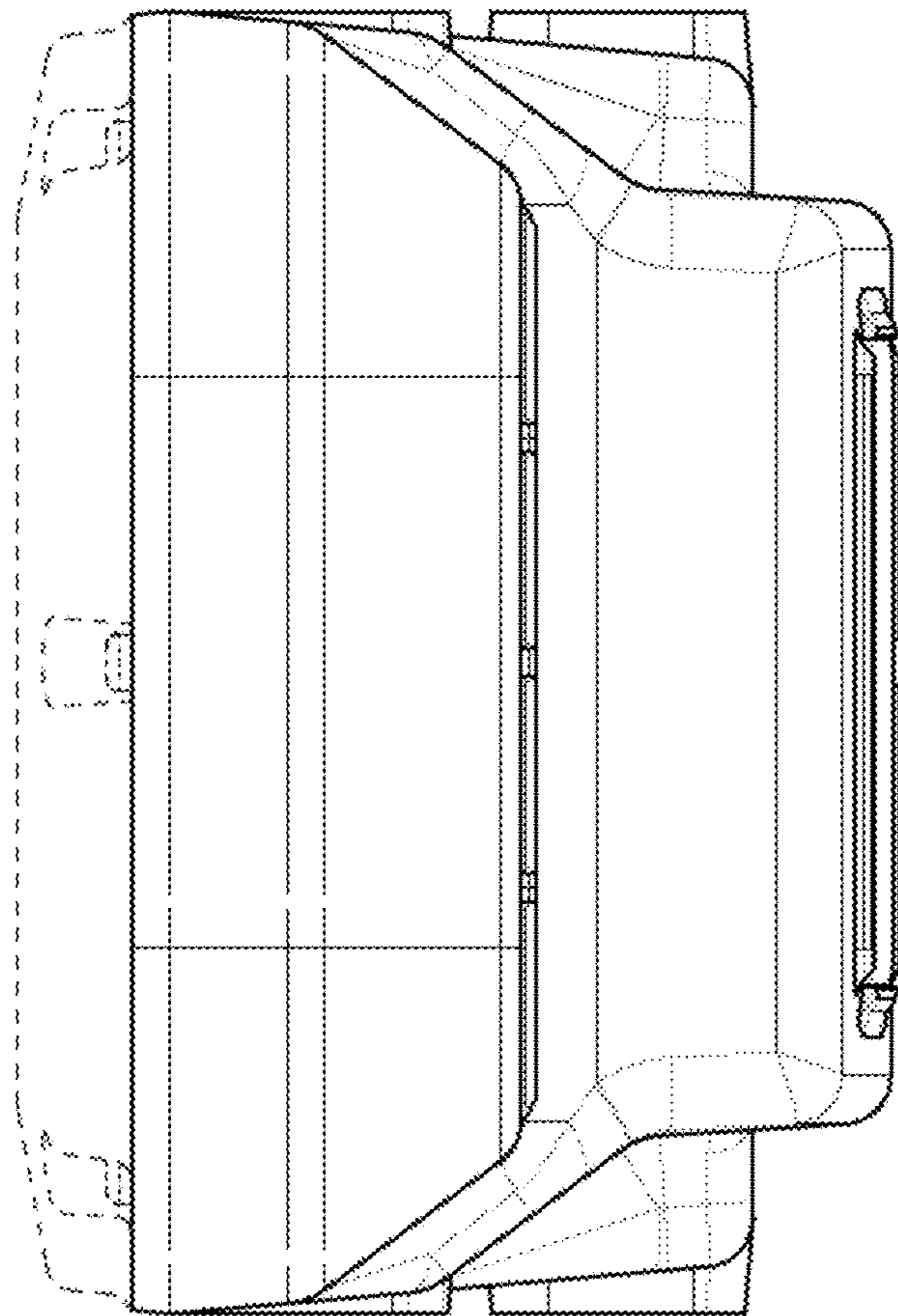


FIG. 5