



US00D891953S

(12) **United States Design Patent** (10) **Patent No.:** **US D891,953 S**  
**Kuvelker et al.** (45) **Date of Patent:** **\*\* Aug. 4, 2020**

(54) **SENSOR ASSEMBLY**  
(71) Applicant: **Kodiak Robotics, Inc.**, Mountain View, CA (US)  
(72) Inventors: **Jay Kuvelker**, Mountain View, CA (US); **Court Hinricher**, Mountain View, CA (US)  
(73) Assignee: **Kodiak Robotics, Inc.**, Mountain View, CA (US)  
(\*\*) Term: **15 Years**  
(21) Appl. No.: **29/682,147**  
(22) Filed: **Mar. 1, 2019**  
(51) **LOC (12) Cl.** ..... **10-04**  
(52) **U.S. Cl.**  
USPC ..... **D10/70; D12/190**  
(58) **Field of Classification Search**  
USPC ..... D10/70; D12/187, 190  
CPC .. B60Q 1/0017; B60Q 1/0023; B60Q 1/0029; B60Q 1/0035; B60Q 1/2665; B60Q 1/0041; B60Q 1/26; B60Q 1/2603; B60Q 1/2607; B60Q 1/2611; B60Q 9/002; B60Q 9/003; B60Q 9/004; B60Q 9/006; B60Q 9/007; B60Q 9/008; B60R 1/10; B60R 1/12; B60R 2001/1284  
See application file for complete search history.

D551,606 S 9/2007 Pfeiffer  
7,501,938 B2 3/2009 Widmann et al.  
D610,060 S \* 2/2010 Meier ..... D12/187  
D612,311 S 3/2010 Weil  
D616,345 S 5/2010 Bauer et al.  
D631,804 S \* 2/2011 Chen ..... D12/187  
D631,805 S 2/2011 Chen  
D644,151 S 8/2011 Chen  
D690,635 S 10/2013 Hovind et al.  
D699,653 S 2/2014 Markstaller et al.  
D702,167 S 4/2014 Hakamata  
D713,769 S 9/2014 Knothe et al.  
D716,206 S 10/2014 Thole et al.  
D725,015 S \* 3/2015 Kovach ..... D12/187  
D727,812 S 4/2015 Hanson et al.  
D791,658 S 7/2017 Ito et al.  
D791,659 S 7/2017 Ito et al.  
D815,577 S \* 4/2018 Chiang ..... D12/187  
D825,357 S \* 8/2018 Ahn ..... D10/70  
D858,387 S \* 9/2019 Castelmezzano ..... D12/187

\* cited by examiner

*Primary Examiner* — Antoine Duval Davis  
(74) *Attorney, Agent, or Firm* — Venable LLP; Michele V. Frank

(57) **CLAIM**

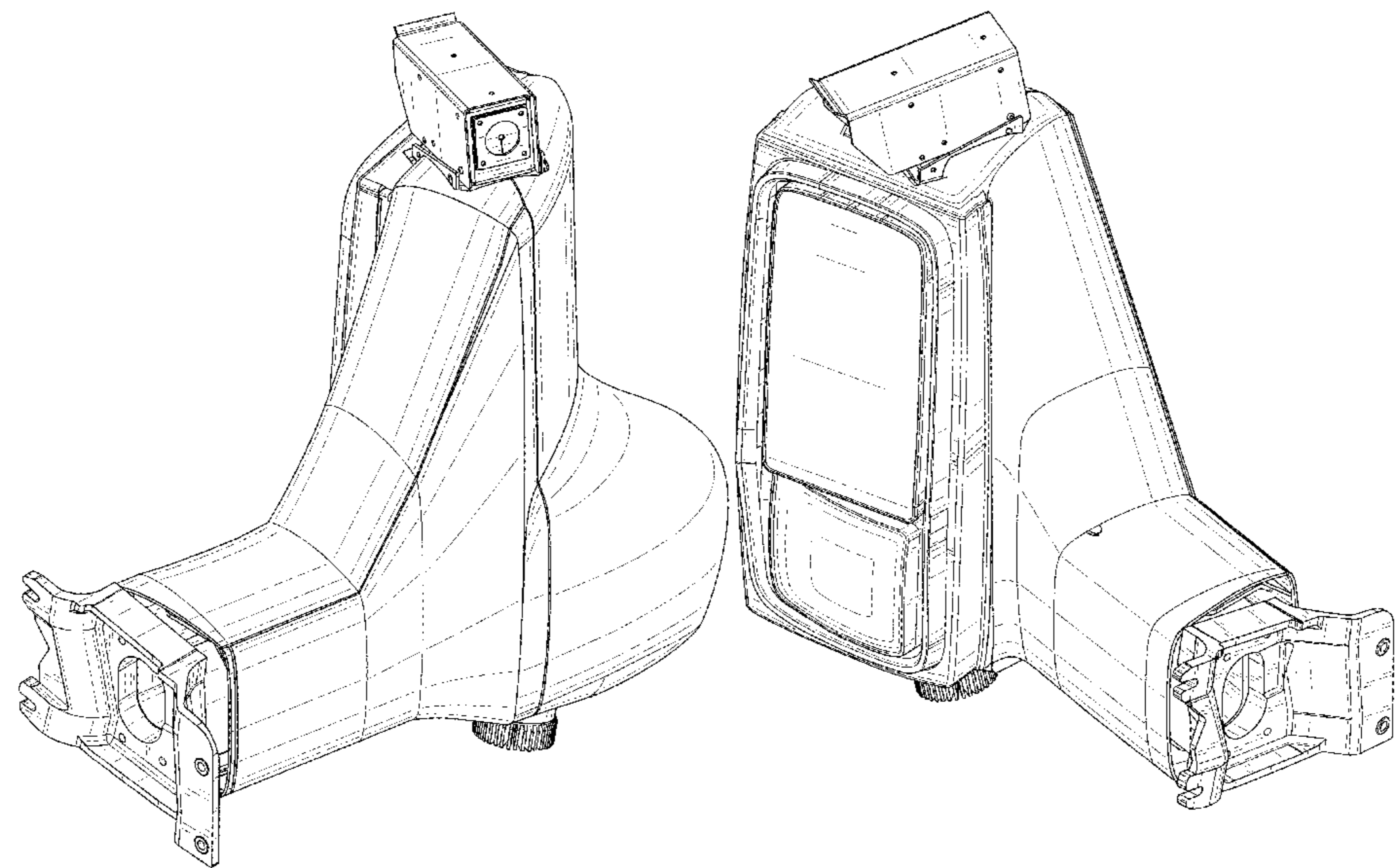
The ornamental design for a sensor assembly, as shown and described.

**DESCRIPTION**

FIG. 1 is a top front left perspective view of a sensor assembly, showing our new design;  
FIG. 2 is a top back left perspective view thereof;  
FIG. 3 is a back elevational view thereof;  
FIG. 4 is a front elevational view thereof;  
FIG. 5 is a right side elevational view thereof;  
FIG. 6 is a left side elevational view thereof;  
FIG. 7 is a top plan view thereof; and,  
FIG. 8 is a bottom plan view thereof.

**1 Claim, 6 Drawing Sheets**

(56) **References Cited**  
U.S. PATENT DOCUMENTS  
D278,802 S 5/1985 Baker et al.  
D453,721 S 2/2002 Papke  
D493,755 S 8/2004 Kneefel et al.  
D494,517 S 8/2004 Platto et al.  
D506,962 S 7/2005 Kulla  
D508,447 S 8/2005 Morrow et al.  
D516,480 S 3/2006 Nagashima



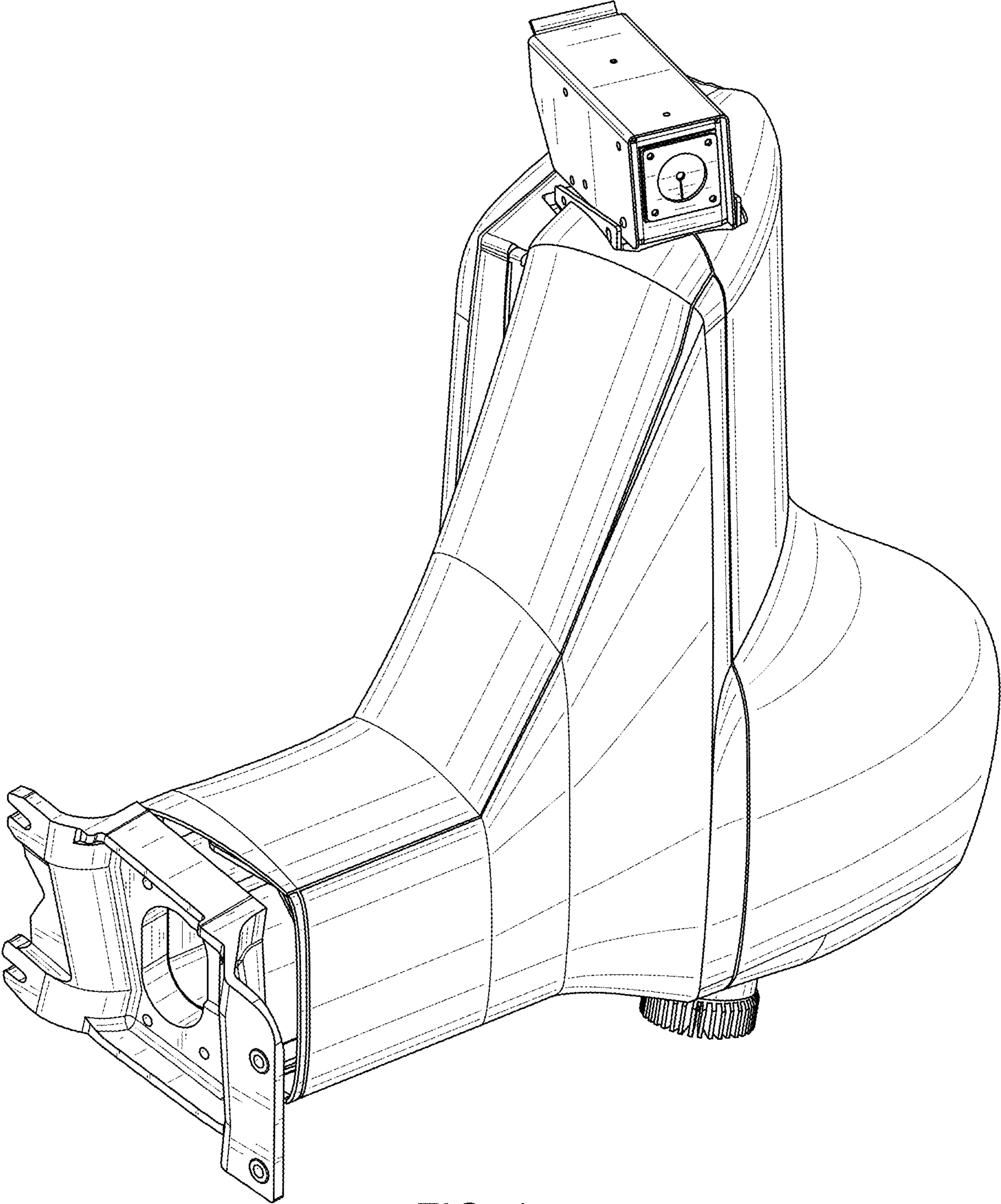


FIG. 1

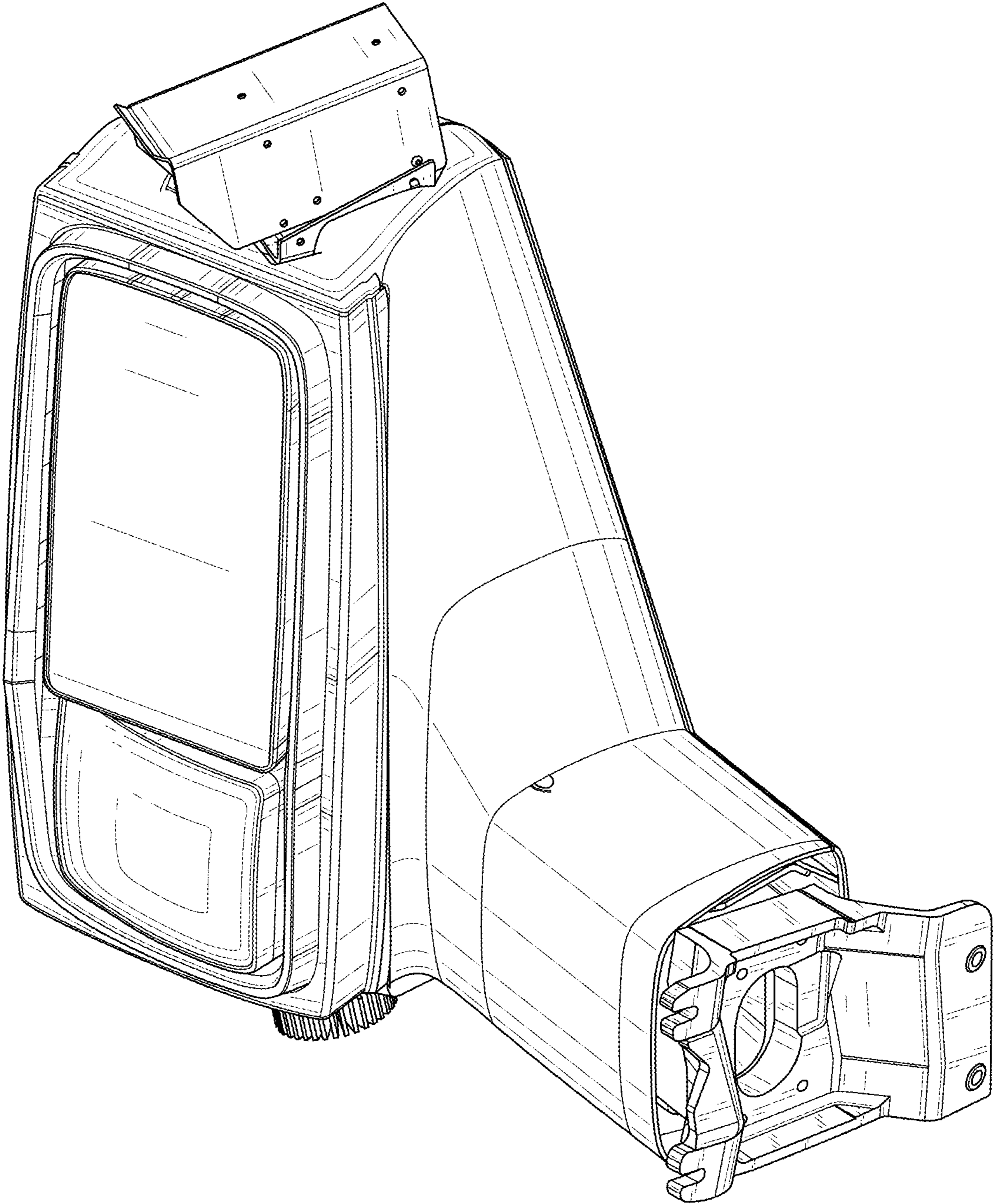


FIG. 2

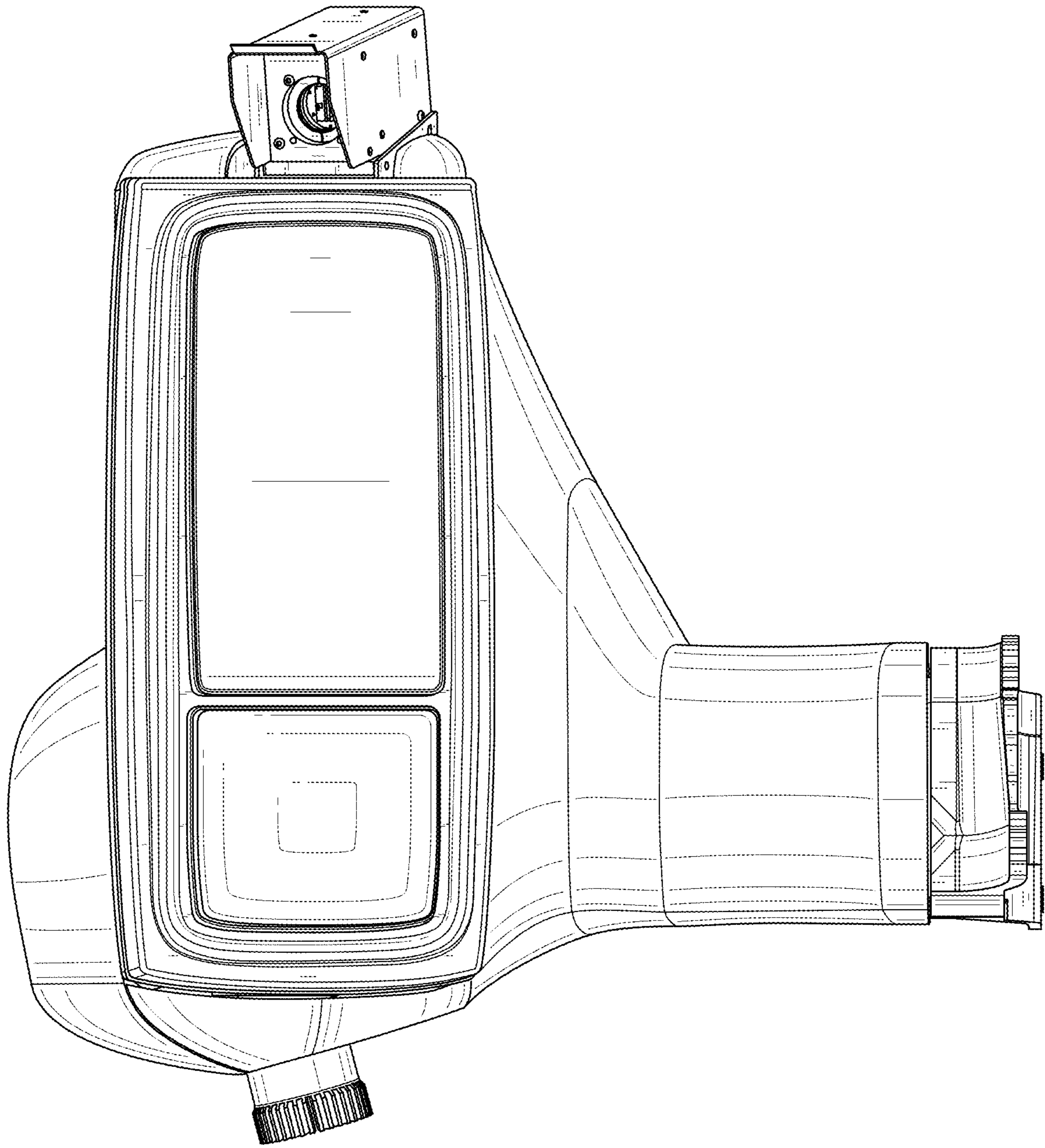


FIG. 3

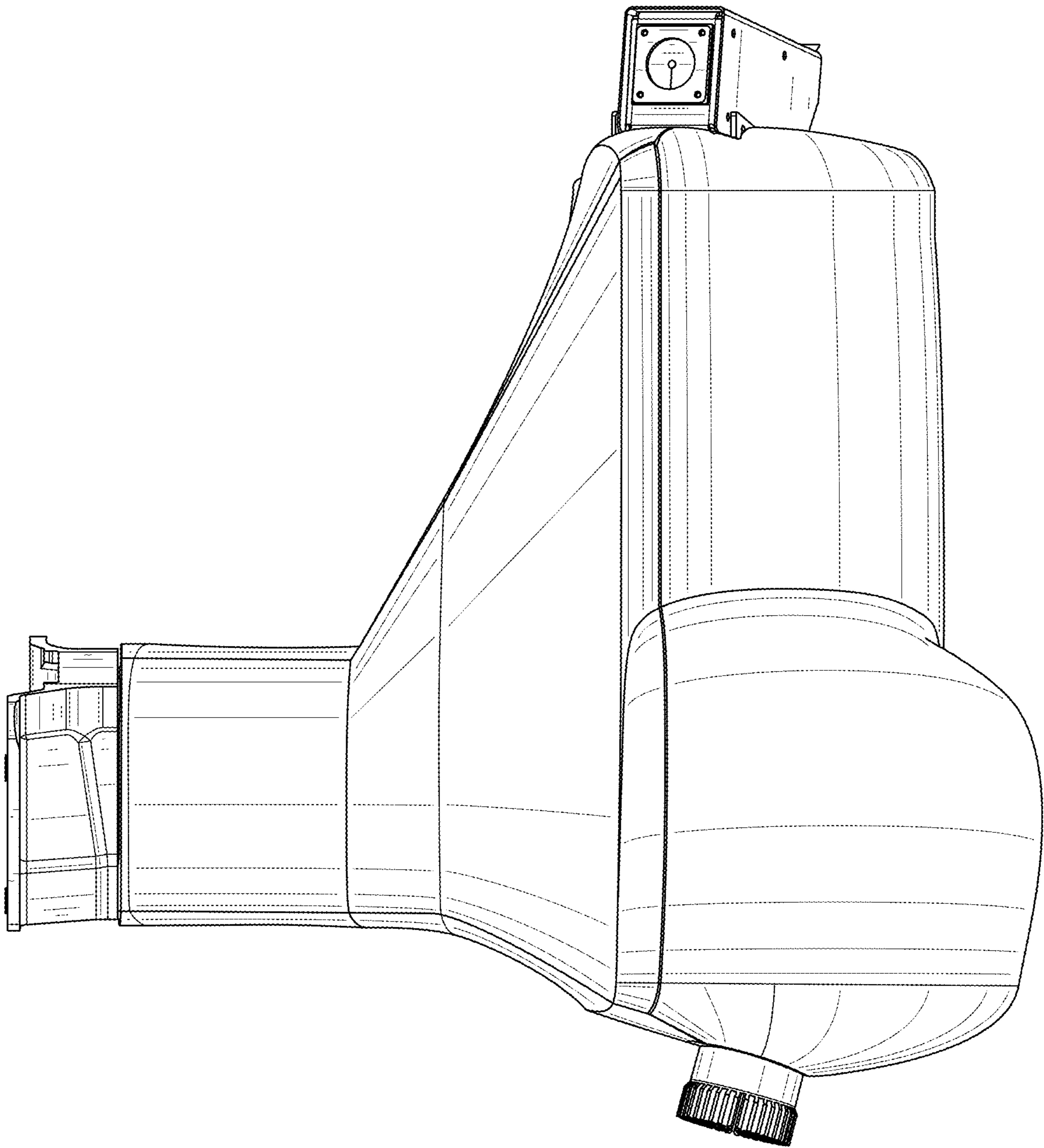


FIG. 4

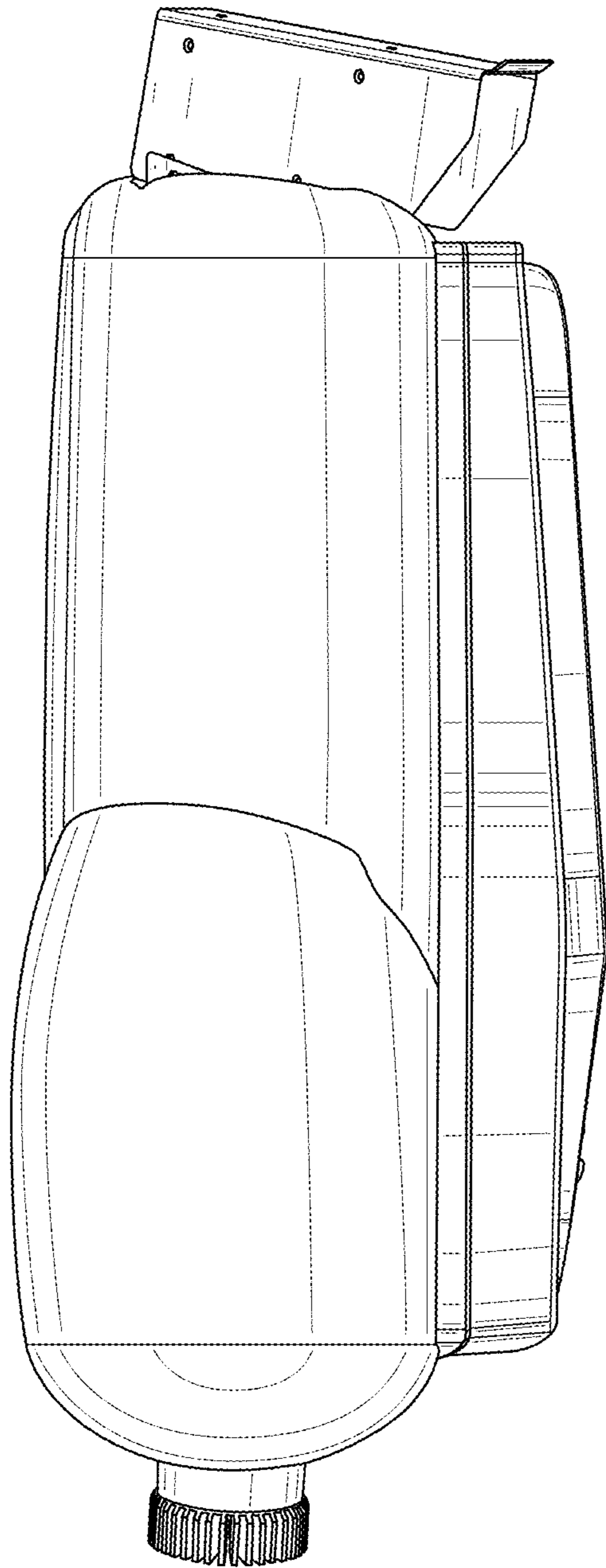


FIG. 5

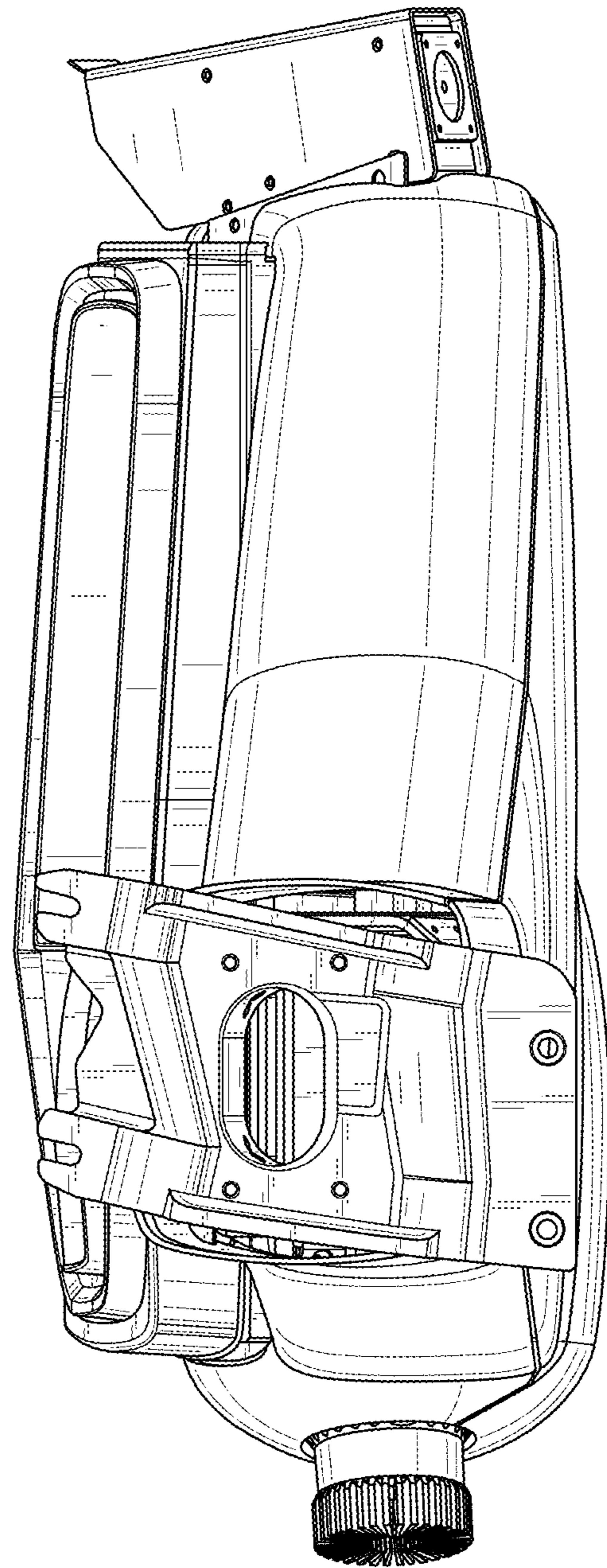


FIG. 6

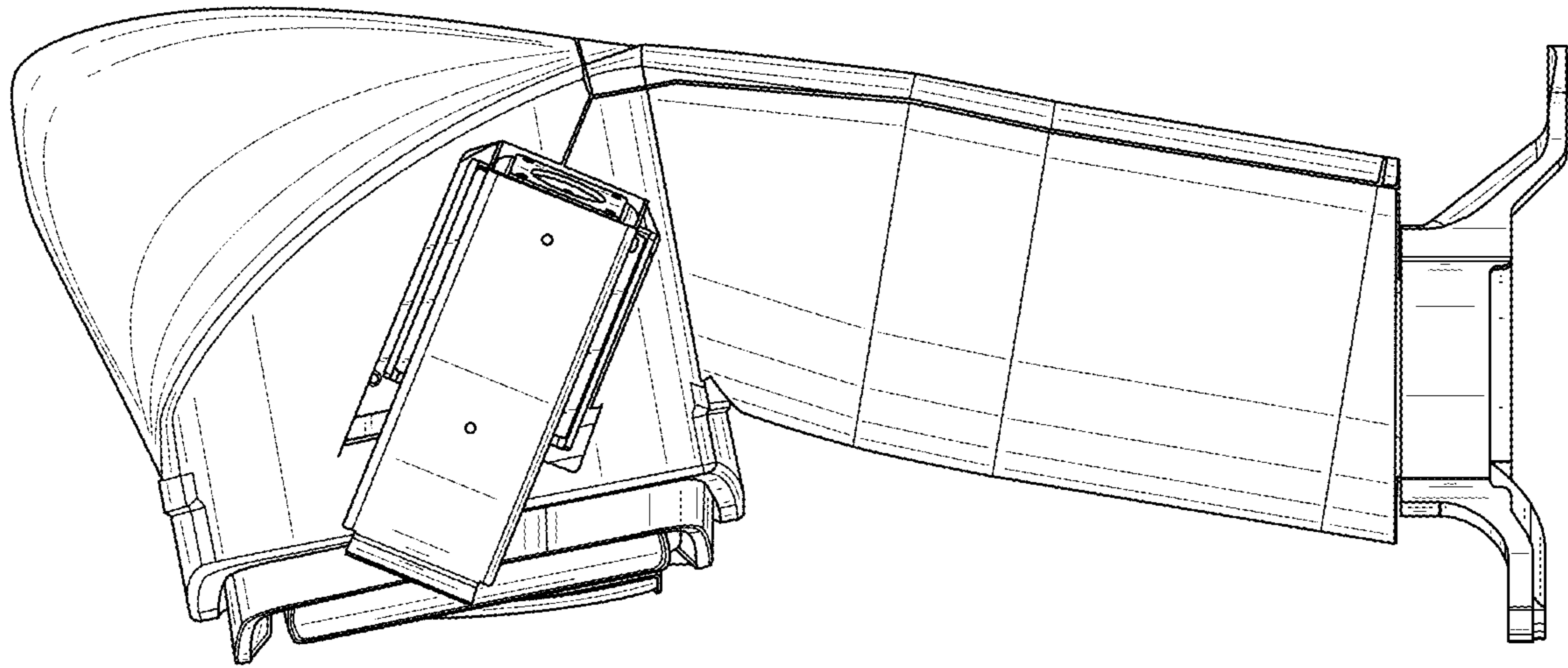


FIG. 7

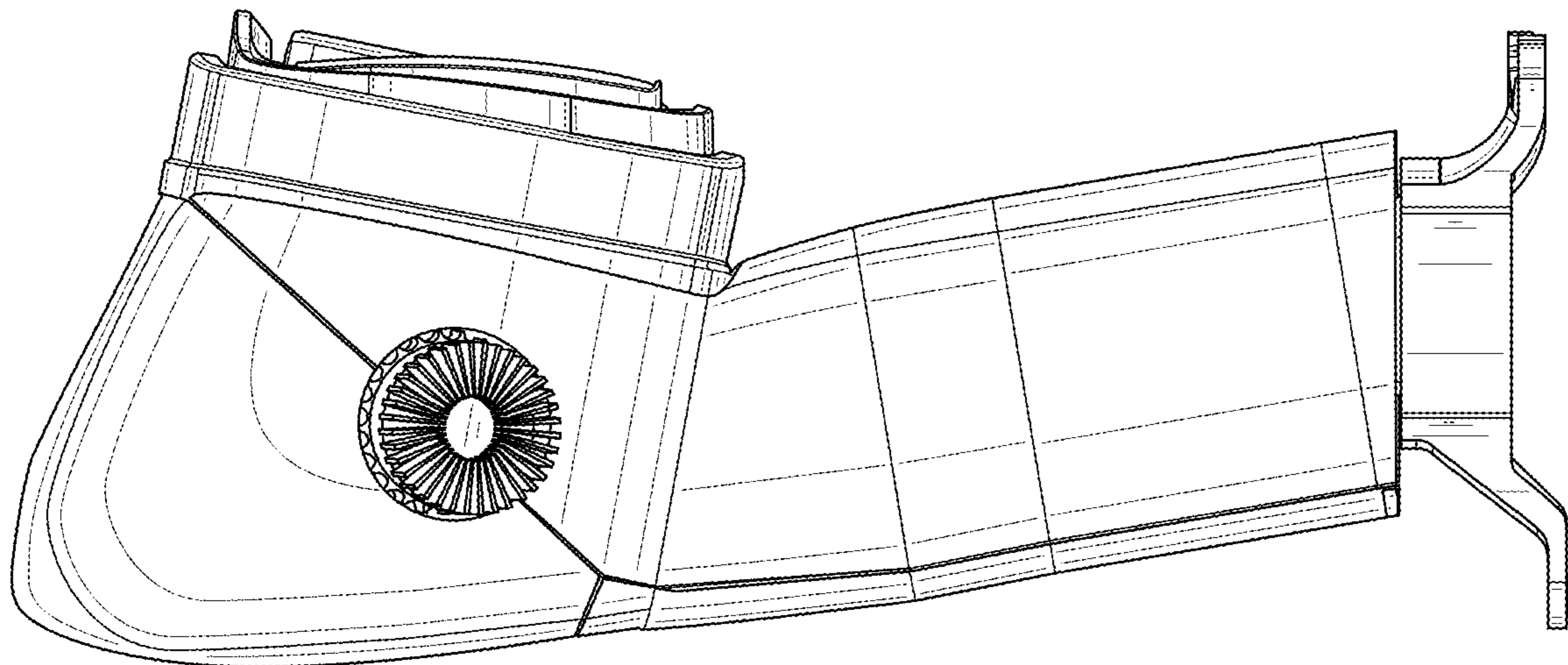


FIG. 8