



US00D891952S

(12) **United States Design Patent**
Corrigan

(10) **Patent No.:** **US D891,952 S**

(45) **Date of Patent:** **** Aug. 4, 2020**

(54) **LASER LEVEL**

(71) Applicant: **Fluke Corporation**, Everett, WA (US)

(72) Inventor: **Christopher D. Corrigan**, Seattle, WA (US)

(73) Assignee: **Fluke Corporation**, Everett, WA (US)

(**) Term: **15 Years**

(21) Appl. No.: **29/674,823**

(22) Filed: **Dec. 26, 2018**

(51) **LOC (12) Cl.** **10-04**

(52) **U.S. Cl.**
USPC **D10/69**

(58) **Field of Classification Search**
USPC D10/69
CPC G01C 15/00; G01C 15/002; G01C 15/004;
G01C 15/006; G01C 15/008; G01C
15/02; G01C 15/04; G01C 15/06; G01C
15/08; G01C 15/10; G01C 15/105; G01C
15/12; G01C 15/14

See application file for complete search history.

(56) **References Cited**

U.S. PATENT DOCUMENTS

9,846,033 B2* 12/2017 Palatshe G01C 15/004

10,393,521 B2* 8/2019 Jiang H01S 5/06216

* cited by examiner

Primary Examiner — Antoine Duval Davis

(74) *Attorney, Agent, or Firm* — Seed Intellectual Property Law Group LLP

(57) **CLAIM**

The ornamental design for a laser level, as shown and described.

DESCRIPTION

FIG. 1 is a top, front, left perspective view of a laser level showing my new design.

FIG. 2 is a bottom, rear, right perspective view thereof.

FIG. 3 is a left side elevation view thereof.

FIG. 4 is a top plan view thereof.

FIG. 5 is a front elevation view thereof.

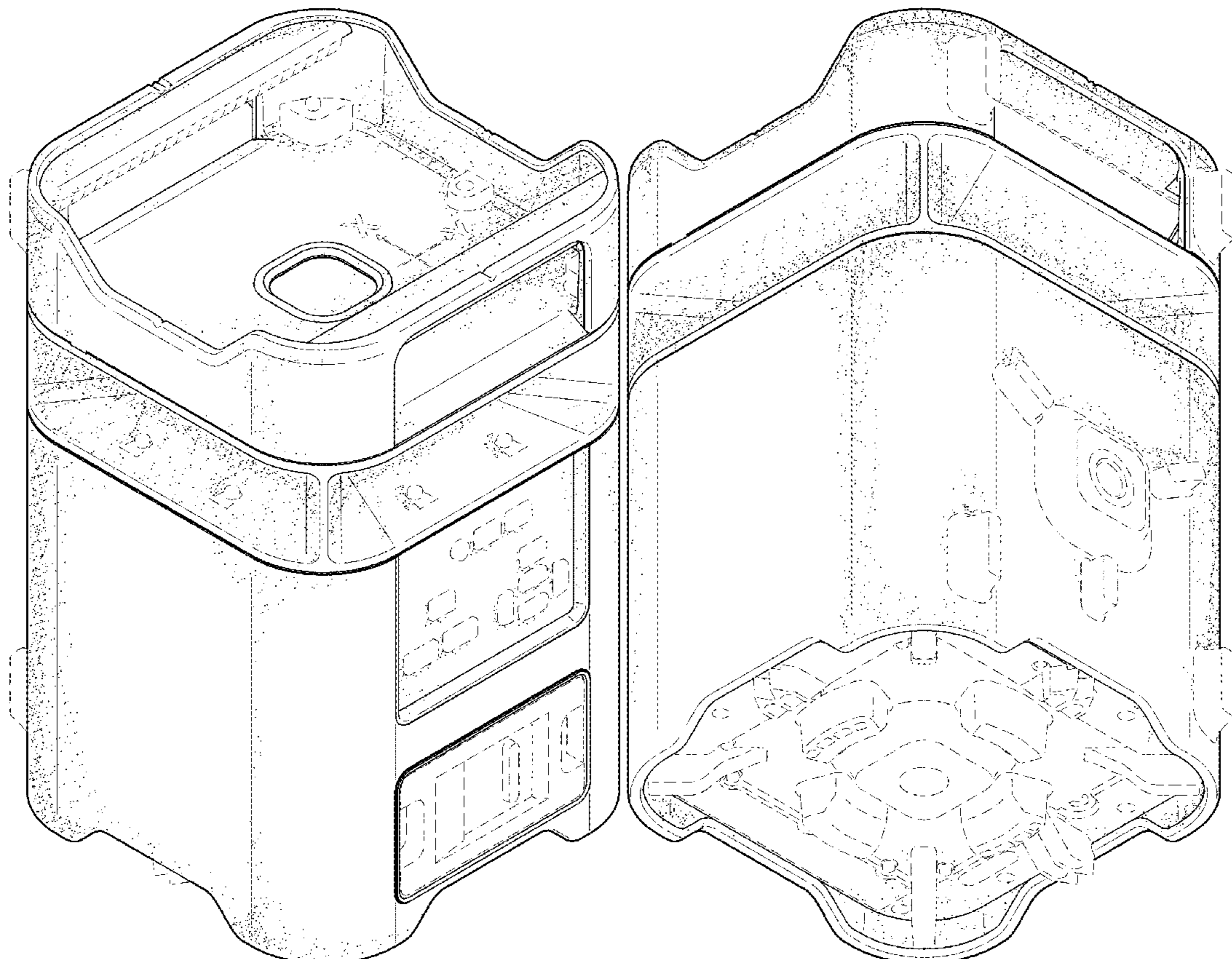
FIG. 6 is a right side elevation view thereof.

FIG. 7 is a rear elevation view thereof; and,

FIG. 8 is a bottom plan view thereof.

The broken lines in the figures illustrate portions of the laser level that form no part of the claimed design. The stippling and contour lines in the figures constitutes surface shading that merely clarifies contours of the surface and does not indicate surface texture, material, contrast in material, or color.

1 Claim, 8 Drawing Sheets



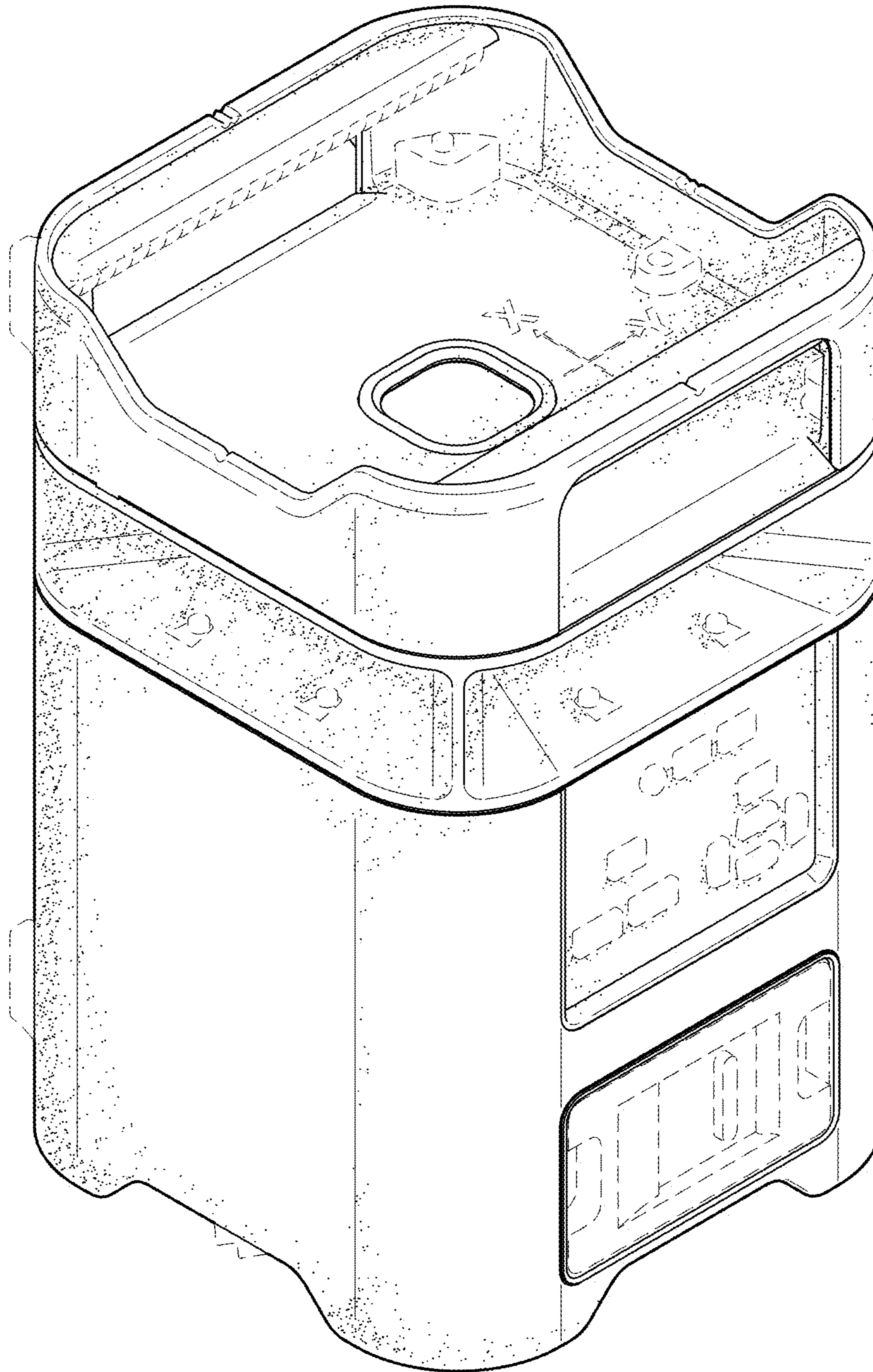


FIG. 1

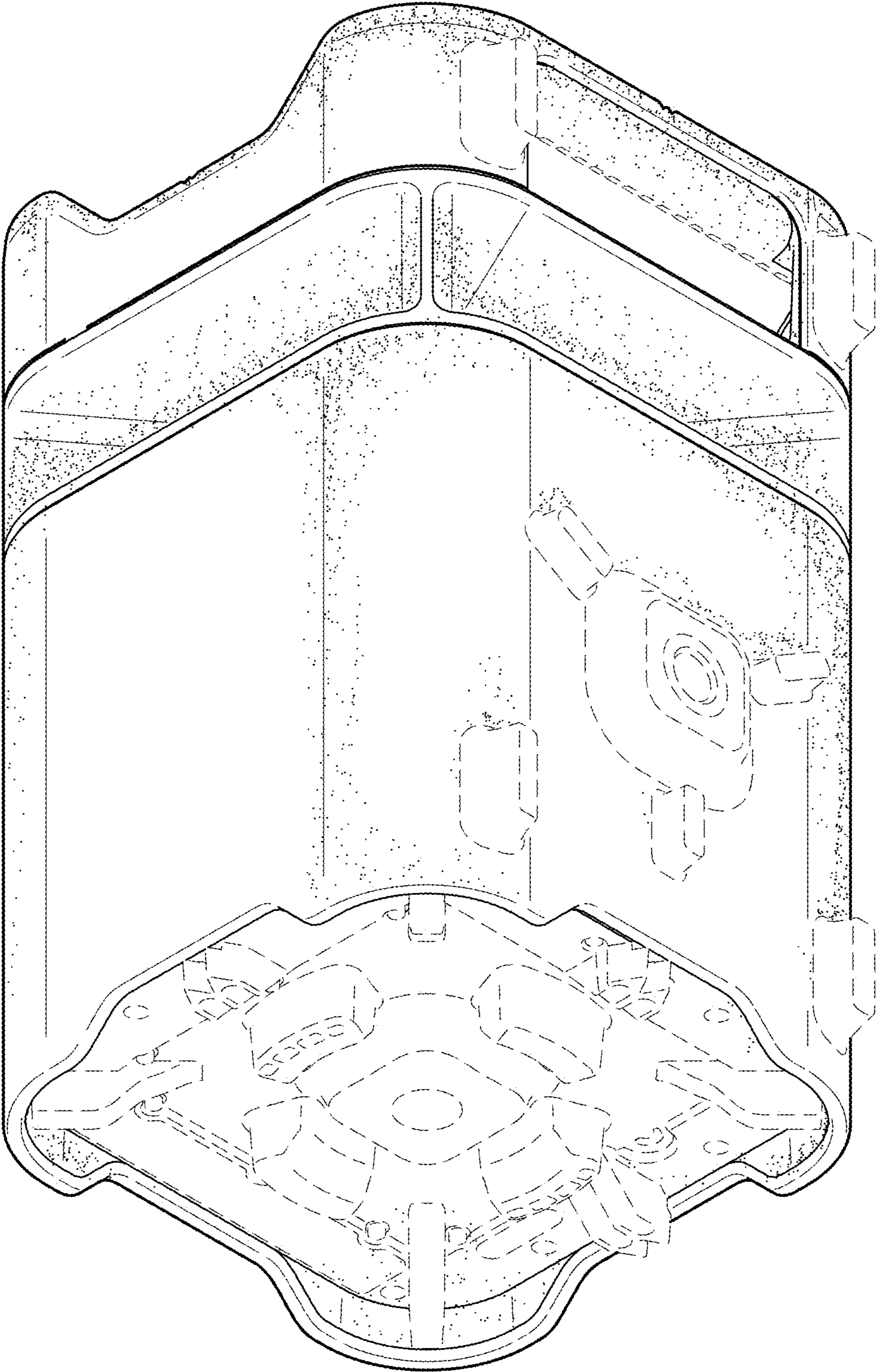


FIG. 2

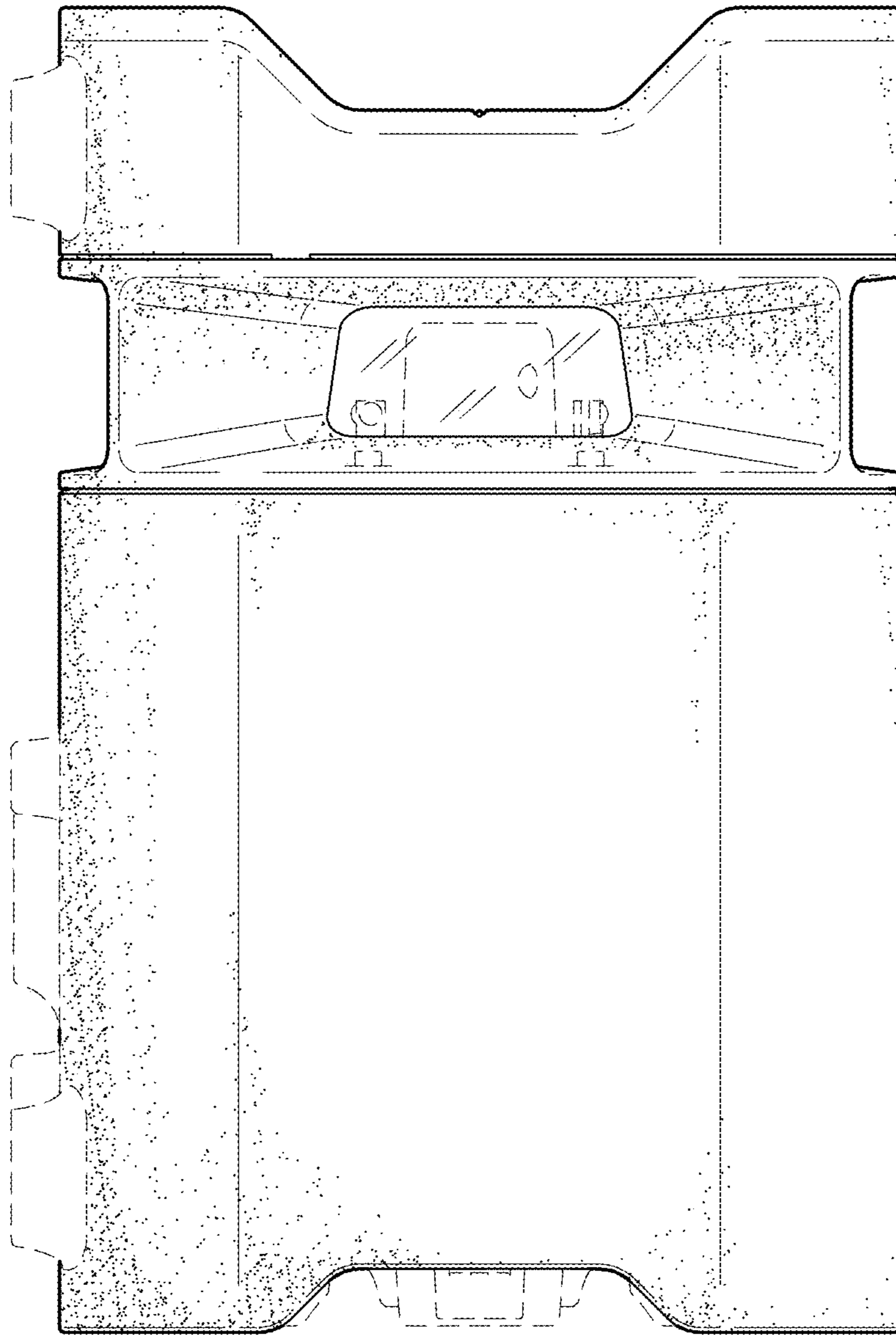


FIG. 3

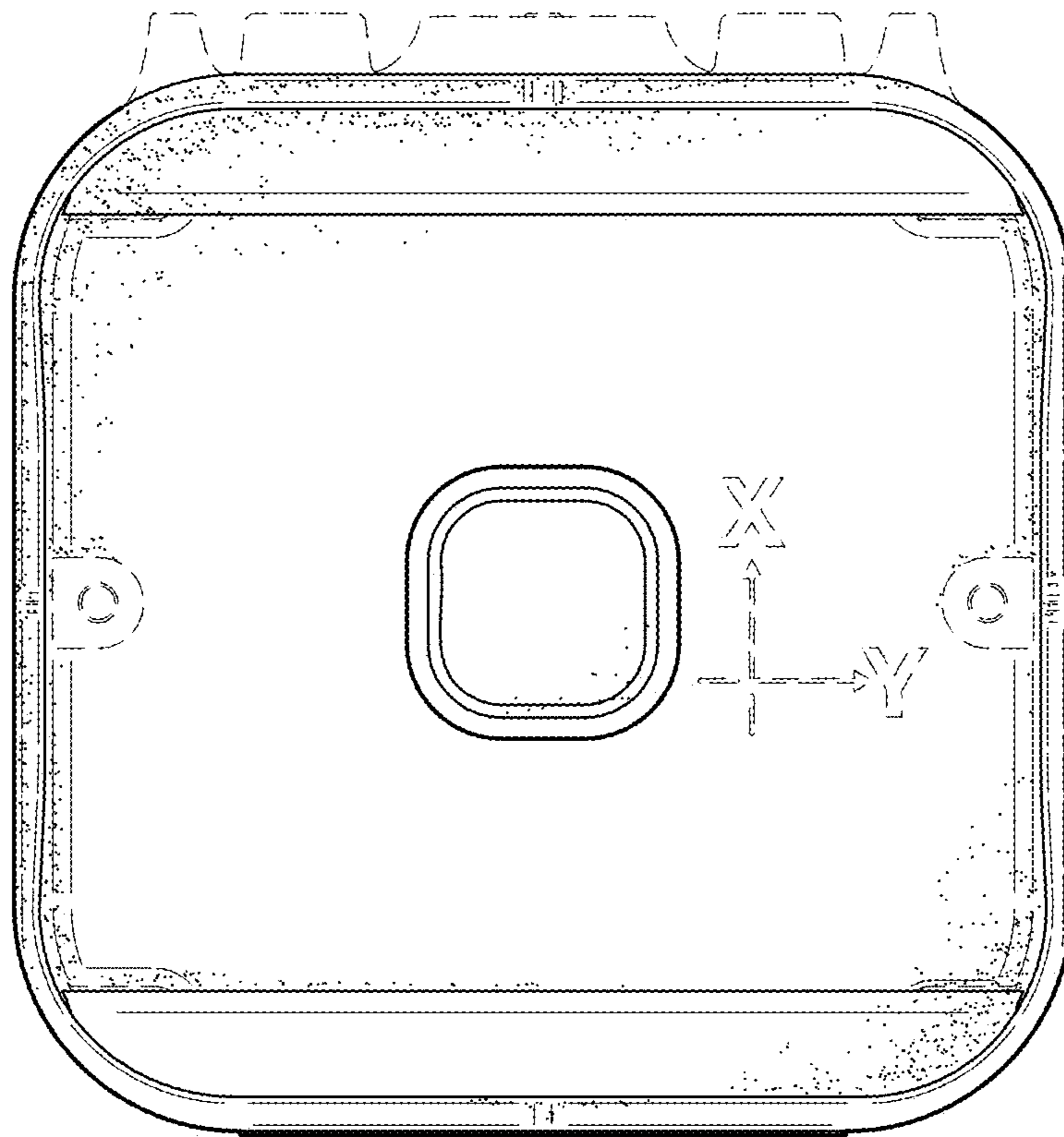


FIG. 04

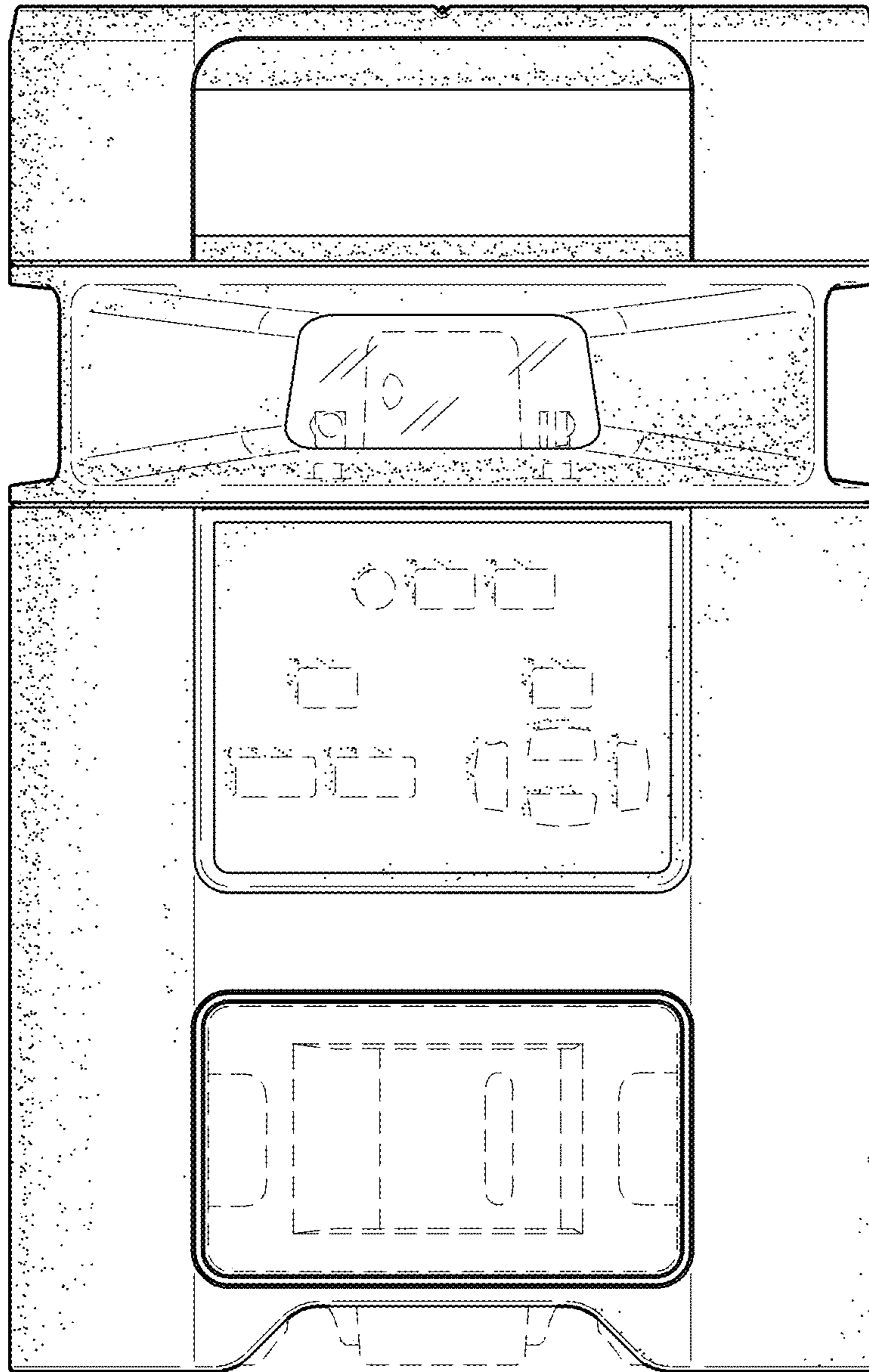


FIG. 5

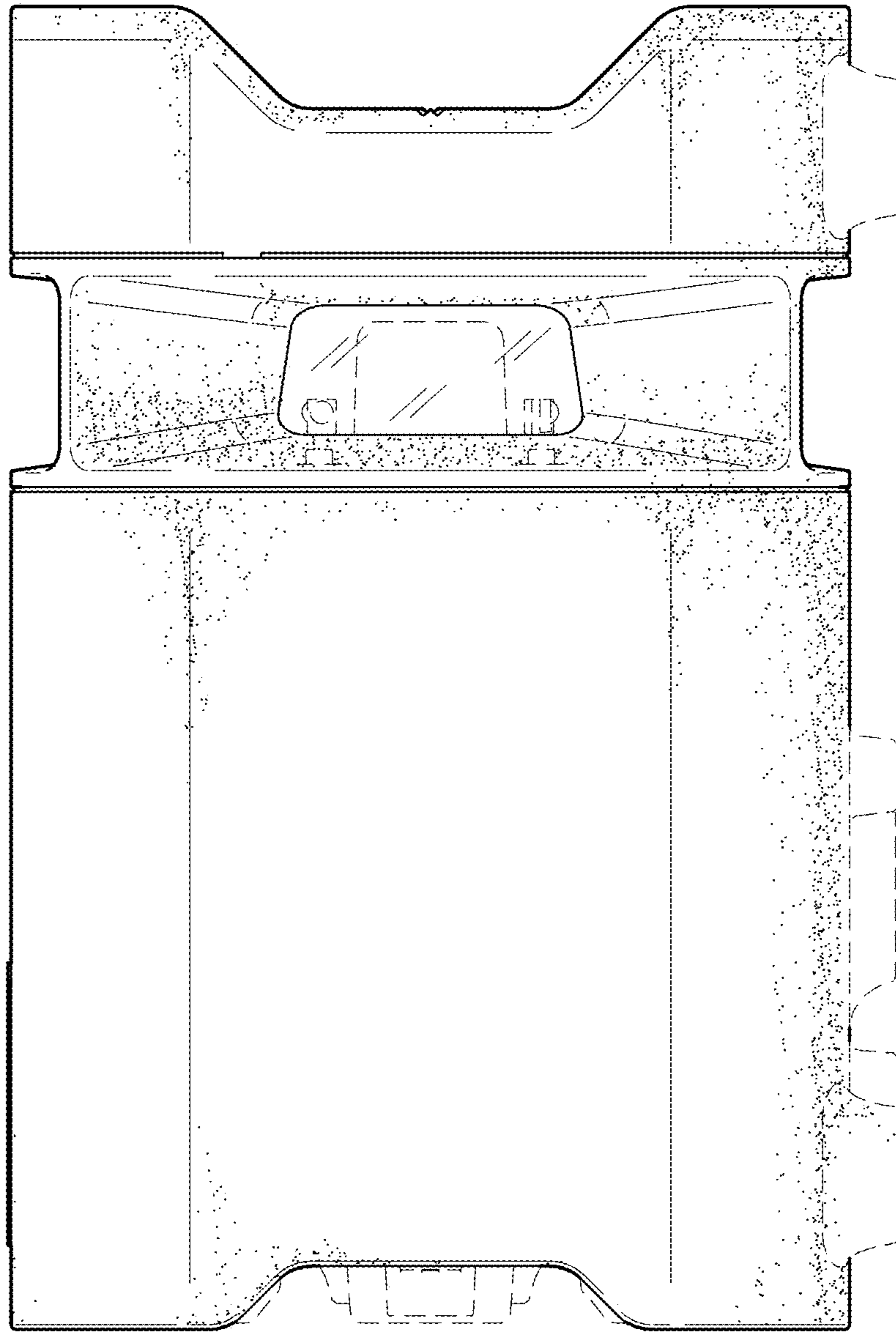


FIG. 6

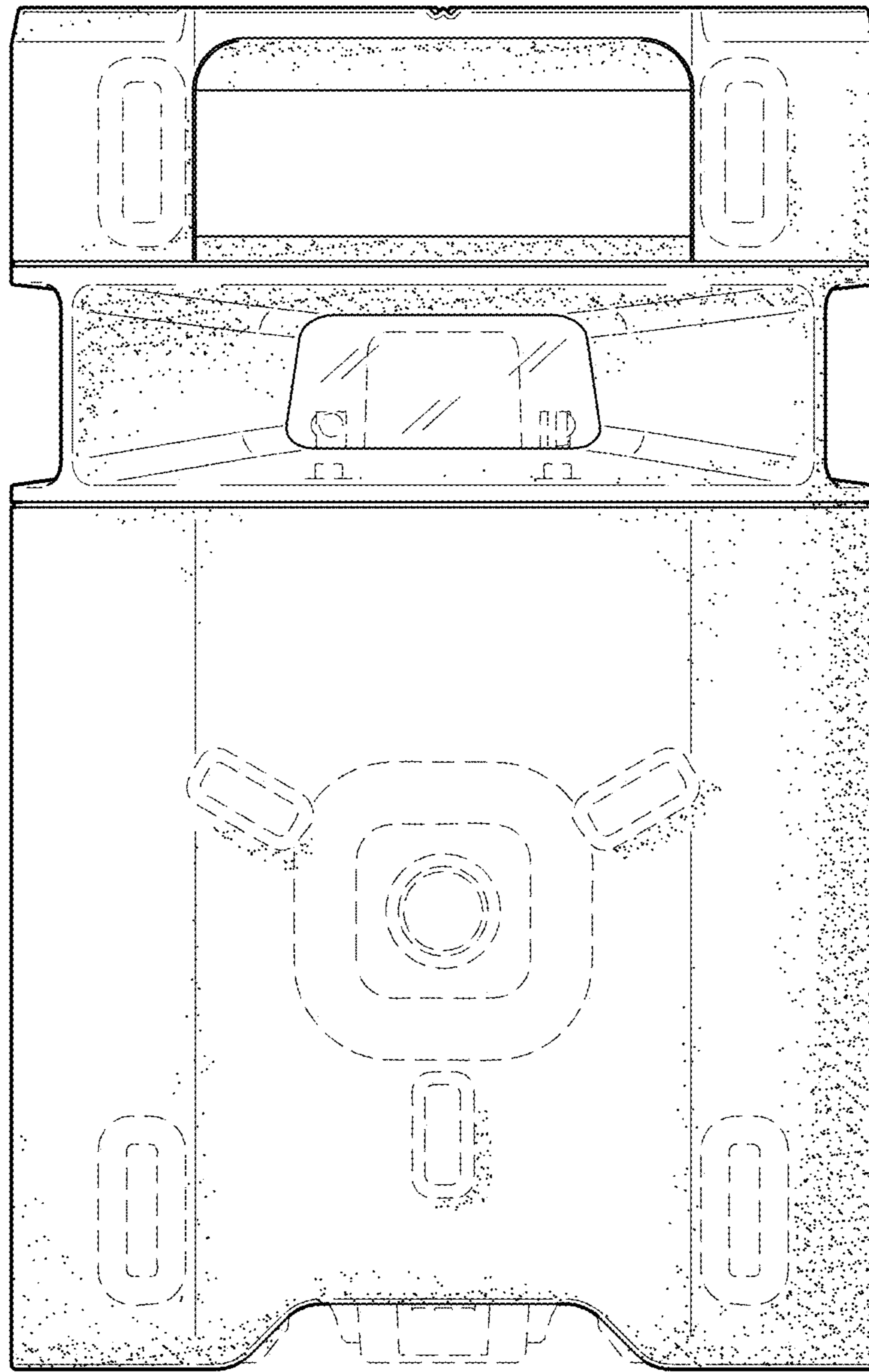


FIG. 7

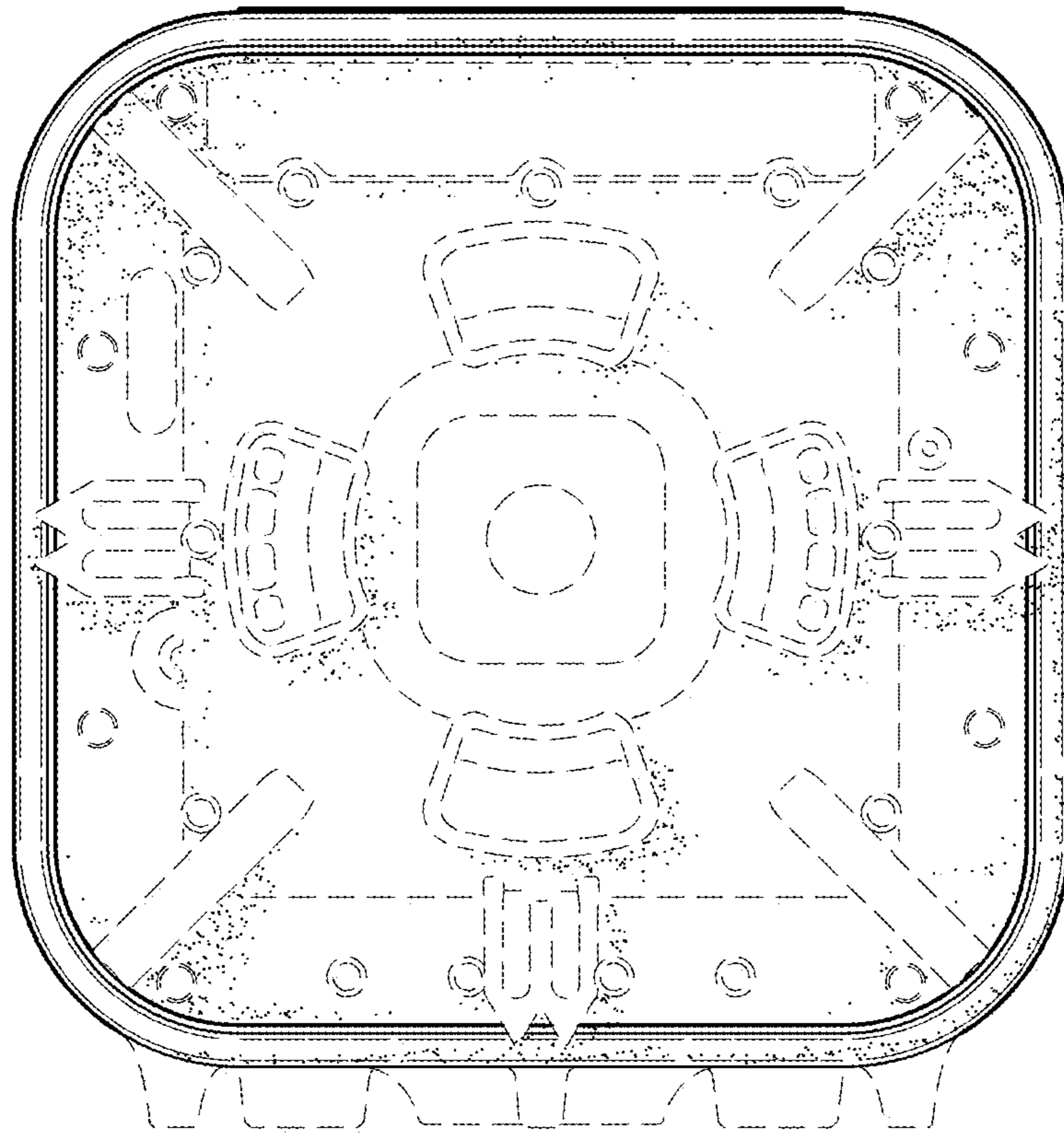


FIG. 8