



US00D891951S

(12) **United States Design Patent**
Woo et al.

(10) **Patent No.:** **US D891,951 S**

(45) **Date of Patent:** **** Aug. 4, 2020**

(54) **SELF-LEVELING LASER LEVEL**

(71) Applicant: **Fluke Corporation**, Everett, WA (US)

(72) Inventors: **Ginger M. Woo**, Shoreline, WA (US);
Paul A. Richer, Everett, WA (US)

(73) Assignee: **Fluke Corporation**, Everett, WA (US)

(**) Term: **15 Years**

(21) Appl. No.: **29/671,998**

(22) Filed: **Nov. 30, 2018**

(51) **LOC (12) Cl.** **10-04**

(52) **U.S. Cl.**

USPC **D10/69**

(58) **Field of Classification Search**

USPC D10/69

CPC G01C 15/00; G01C 15/002; G01C 15/004;
G01C 15/006; G01C 15/008; G01C
15/02; G01C 15/04; G01C 15/06; G01C
15/08; G01C 15/10; G01C 15/105; G01C
15/12; G01C 15/14

See application file for complete search history.

(56) **References Cited**

U.S. PATENT DOCUMENTS

D698,672 S * 2/2014 Gulunov D10/66
D850,942 S * 6/2019 Corrigan D10/69

OTHER PUBLICATIONS

PLS, A Fluke Company, "PLS 480 Red System", Pacific Laser Systems © 2018, 3 pages.

PLS, A Fluke Company, "PLS 180 Red Line Laser Tool", Pacific Laser Systems © 2018, 3 pages.

* cited by examiner

Primary Examiner — Antoine Duval Davis

(74) *Attorney, Agent, or Firm* — Seed Intellectual Property Law Group LLP

(57) **CLAIM**

The ornamental design for a self-leveling laser level, as shown and described.

DESCRIPTION

FIG. 1 is a top, front, right perspective view of a self-leveling laser level showing our new design.

FIG. 2 is a bottom, rear left perspective view thereof.

FIG. 3 is right side elevation view thereof.

FIG. 4 is a front elevation view thereof.

FIG. 5 is a left side elevation view thereof.

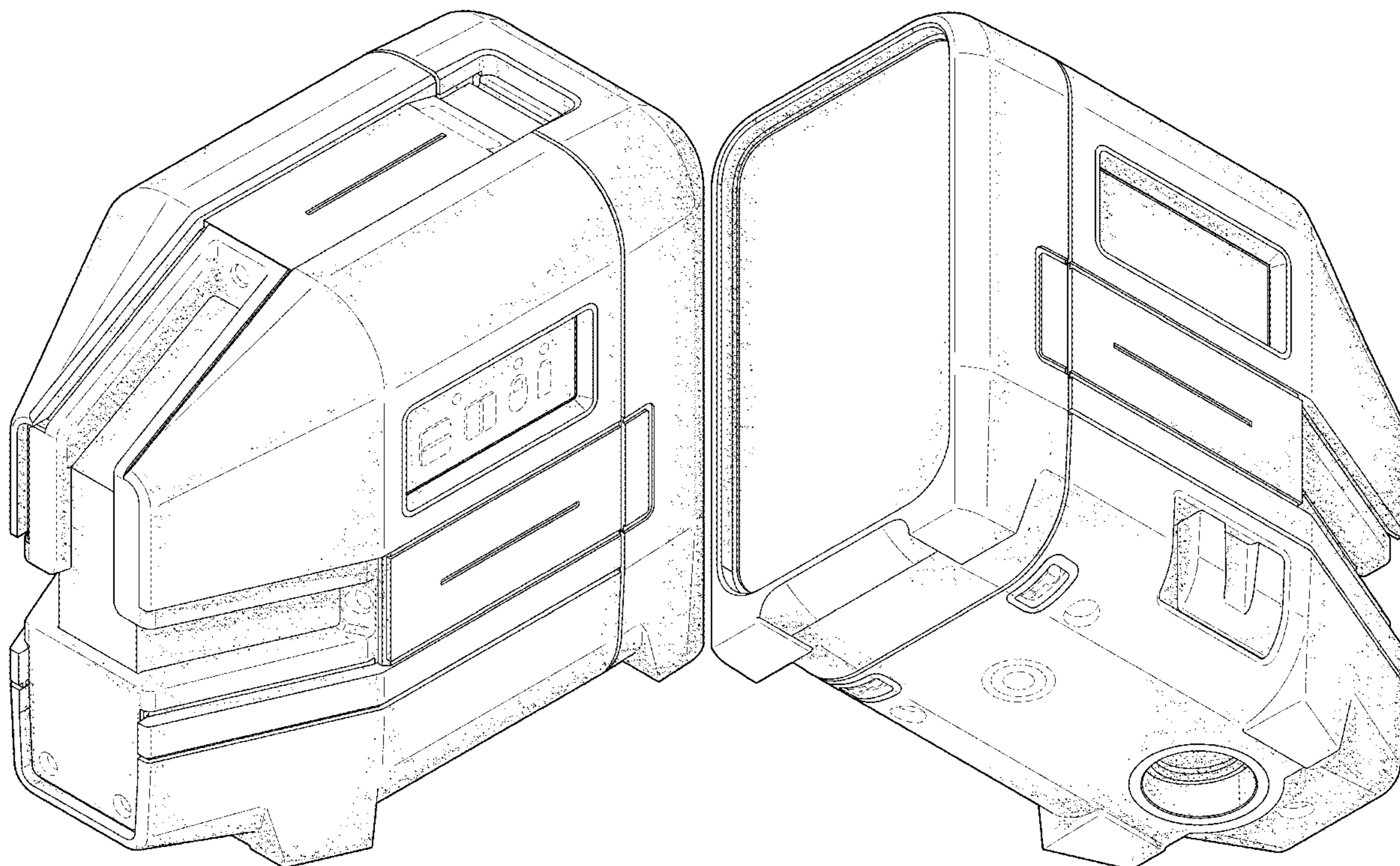
FIG. 6 is a rear elevation view thereof.

FIG. 7 is a top plan view thereof; and,

FIG. 8 is a bottom plan view thereof.

The broken lines in the figures illustrate portions of the self-leveling laser level that form no part of the claimed design. The stippling in the figures provides surface shading that merely clarifies contours of the surface and does not indicate surface texture, material, or color.

1 Claim, 8 Drawing Sheets



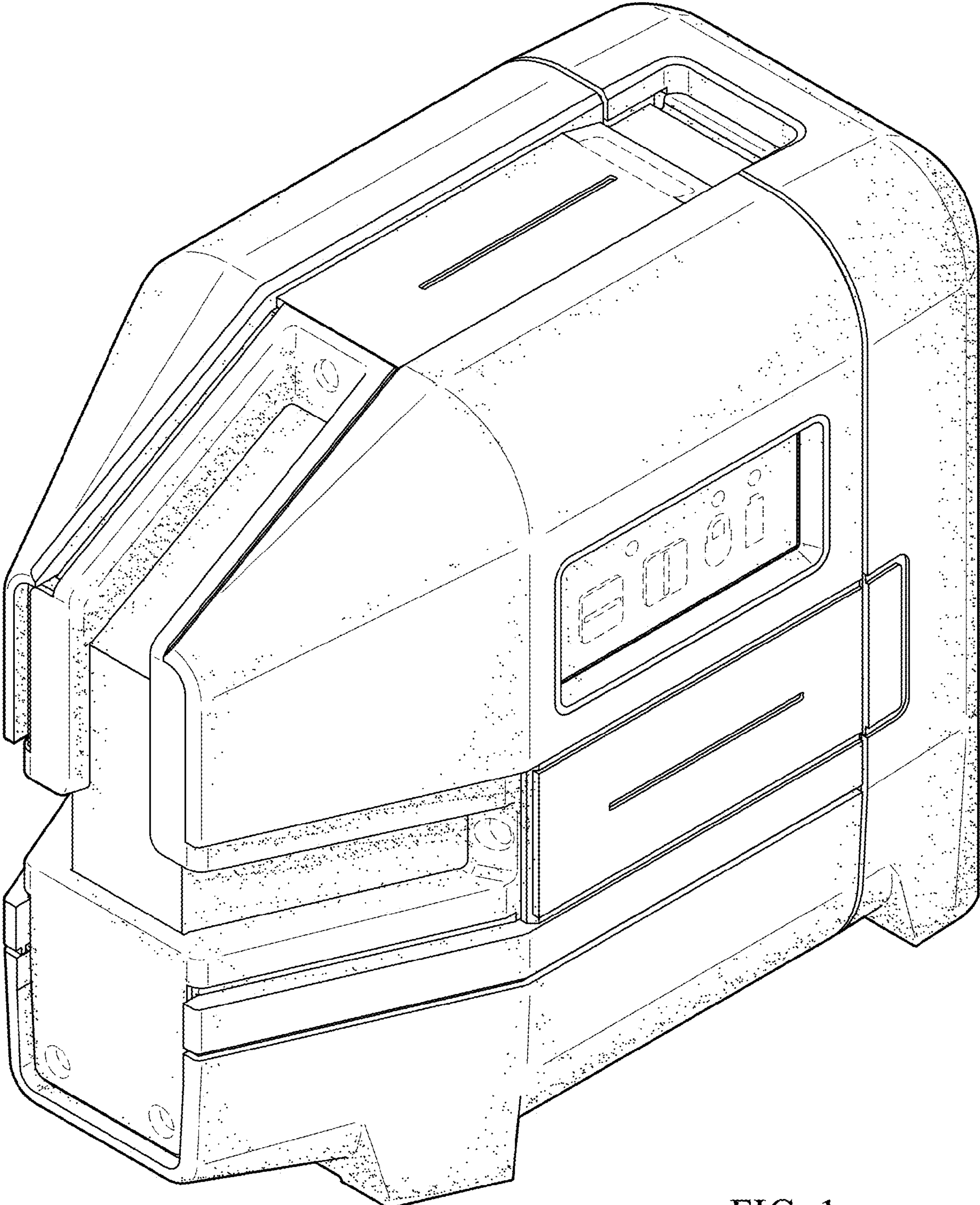


FIG. 1

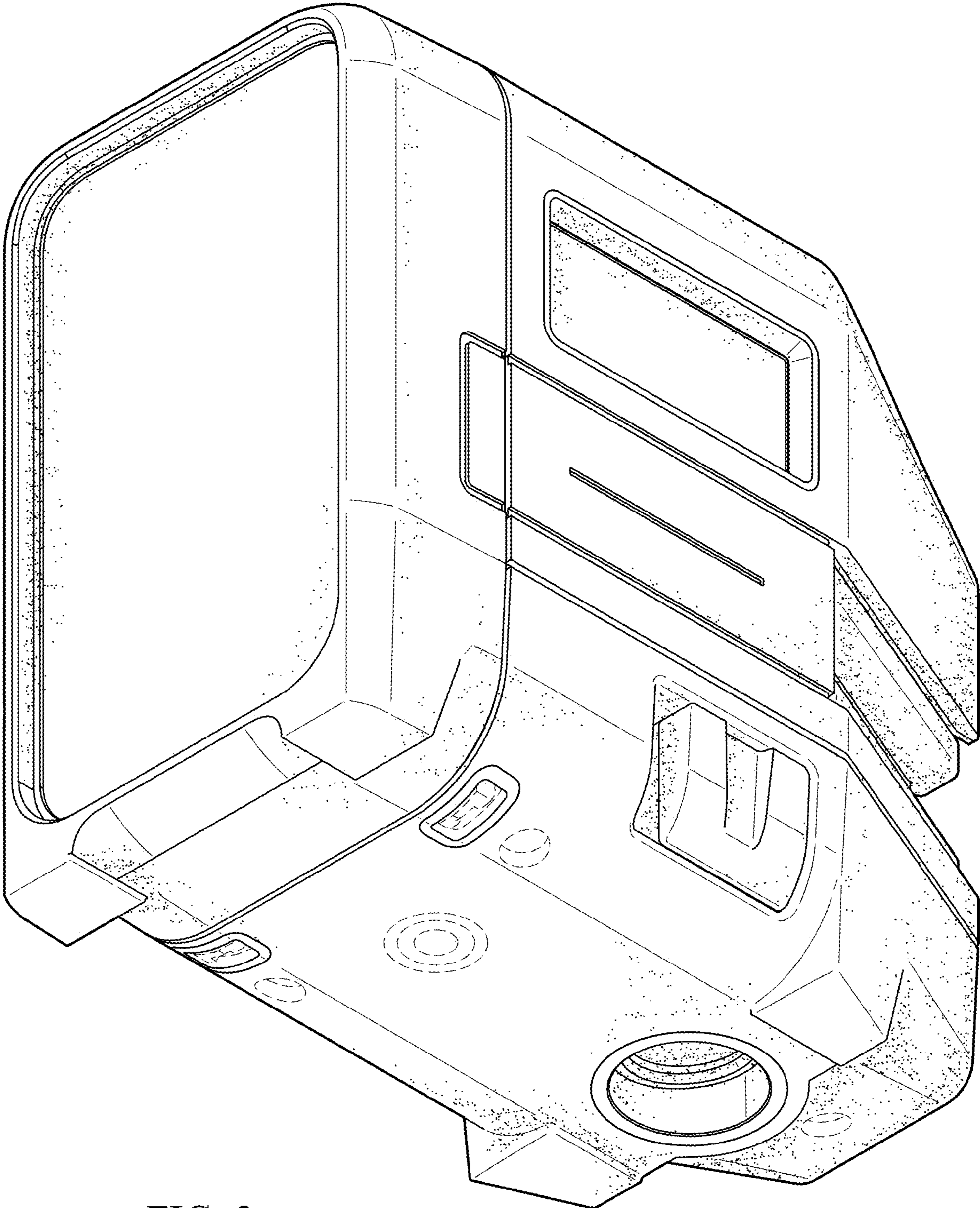


FIG. 2

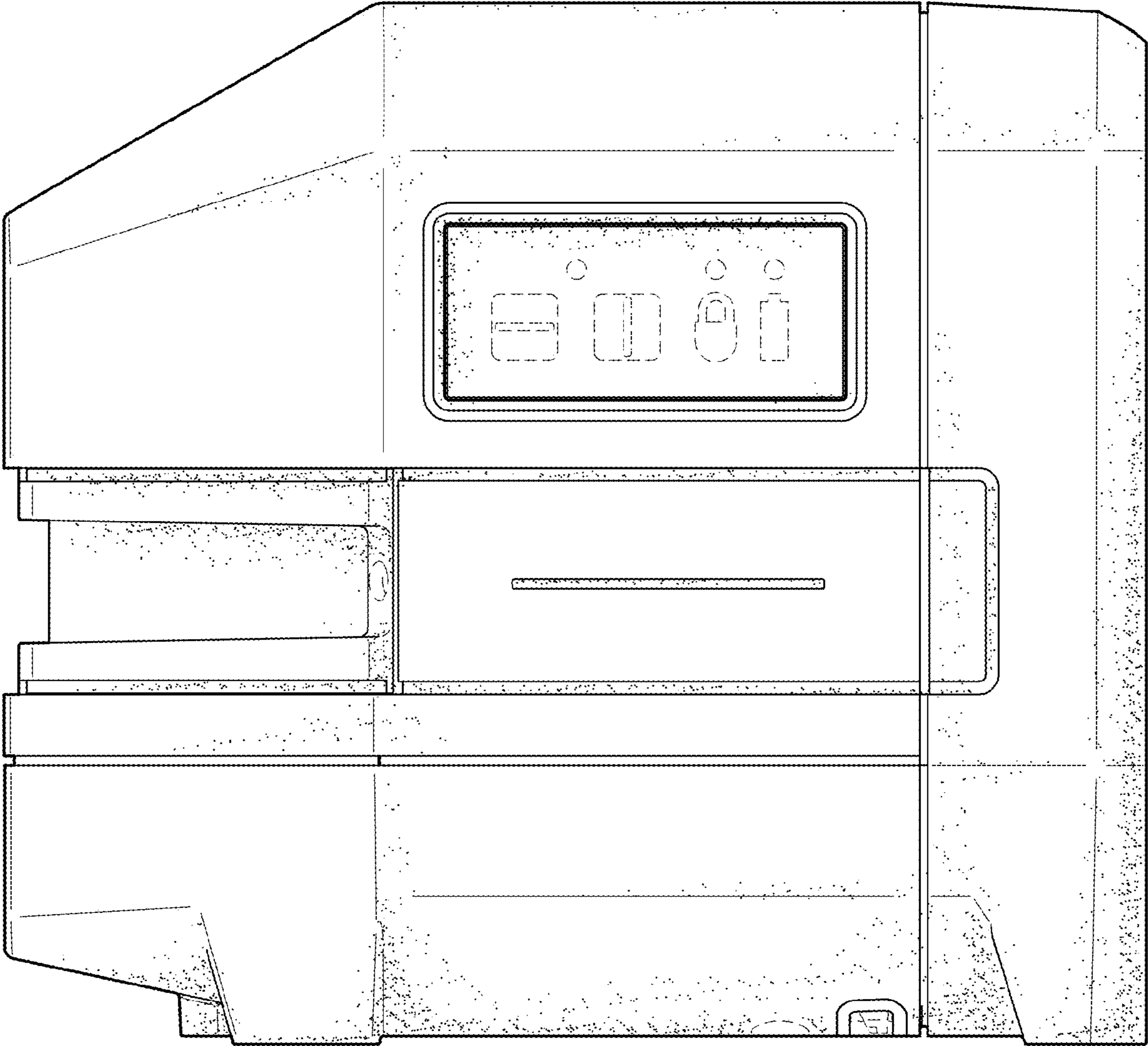


FIG. 3

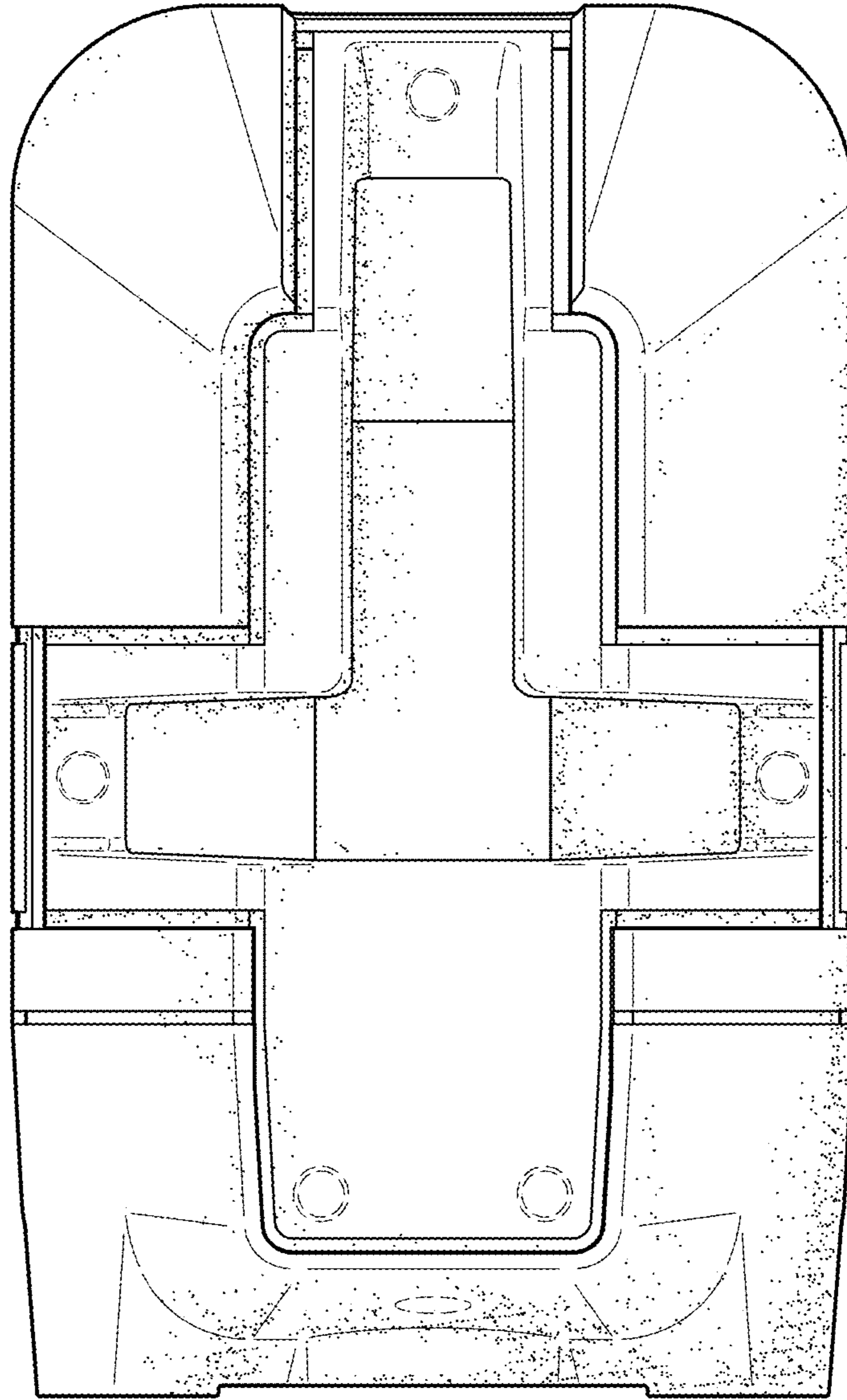


FIG. 4

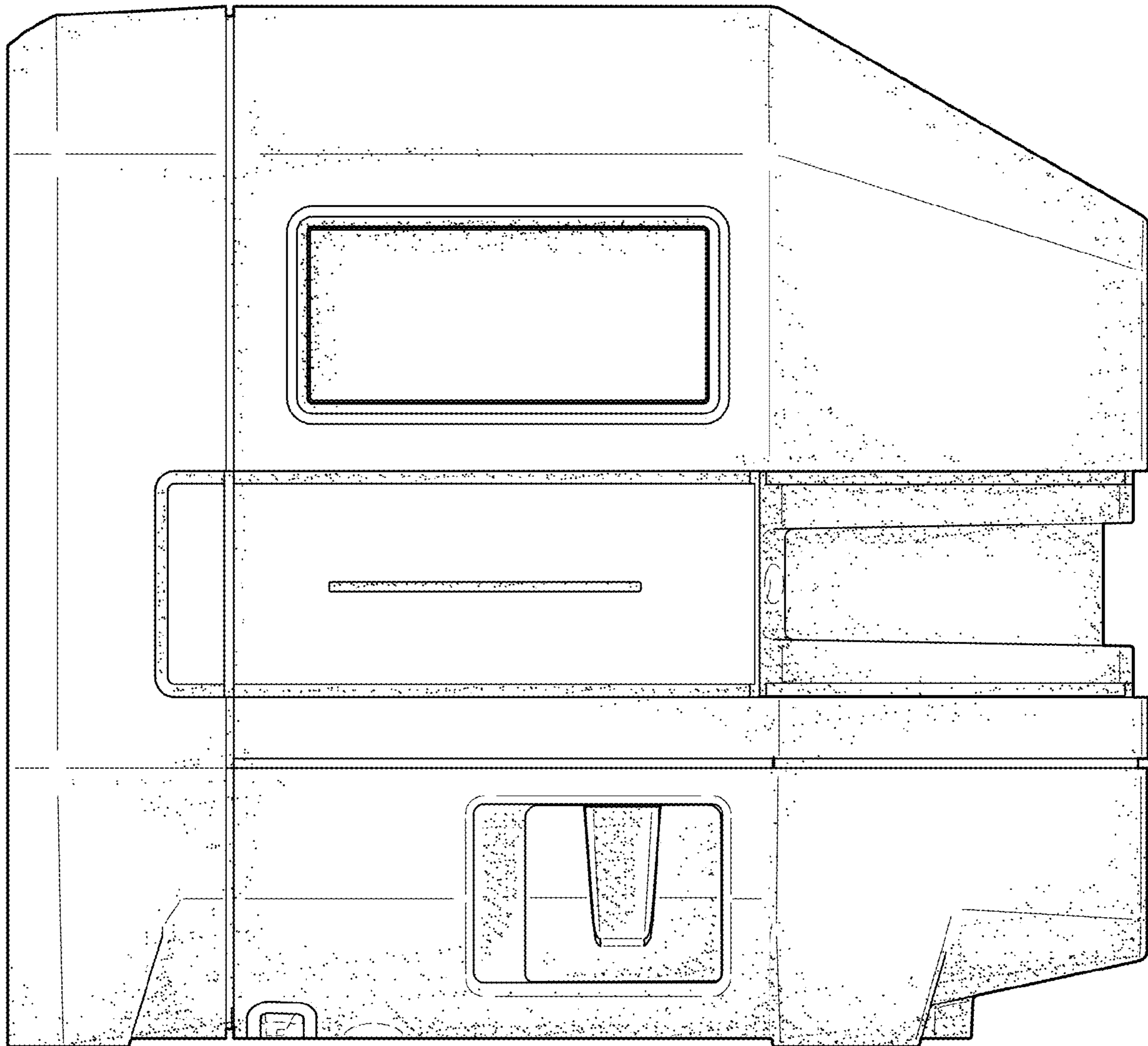


FIG. 5

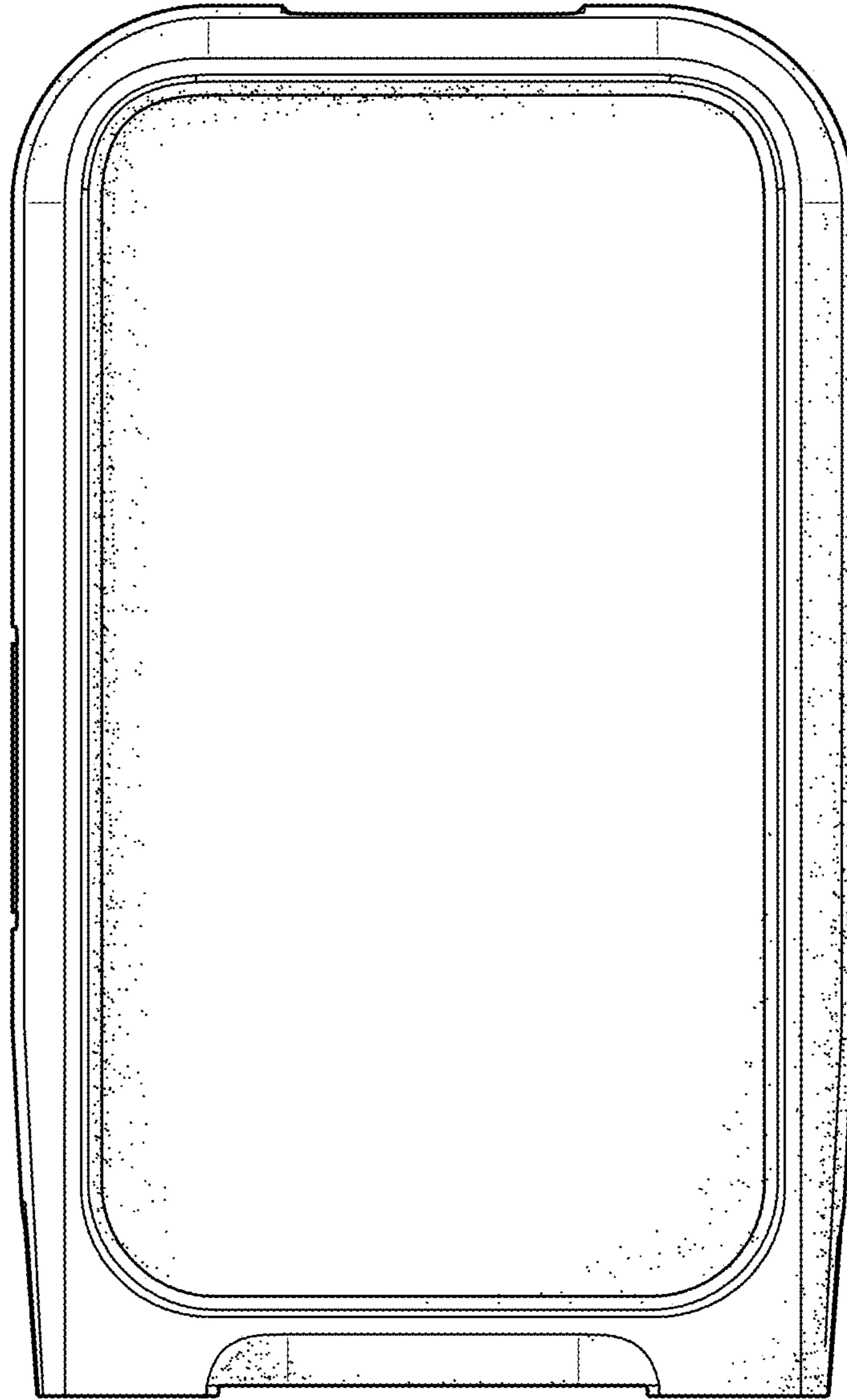


FIG. 6

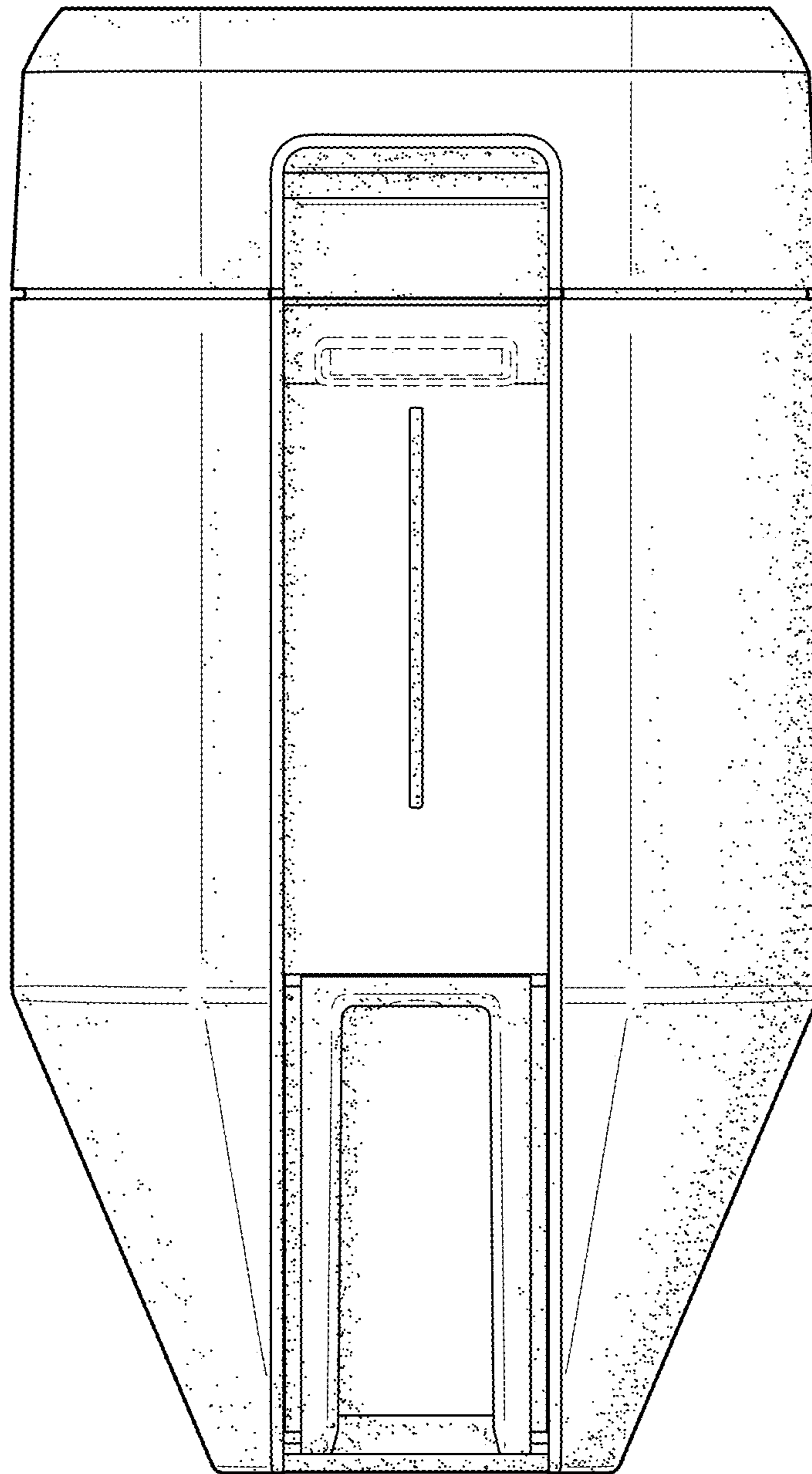


FIG. 7

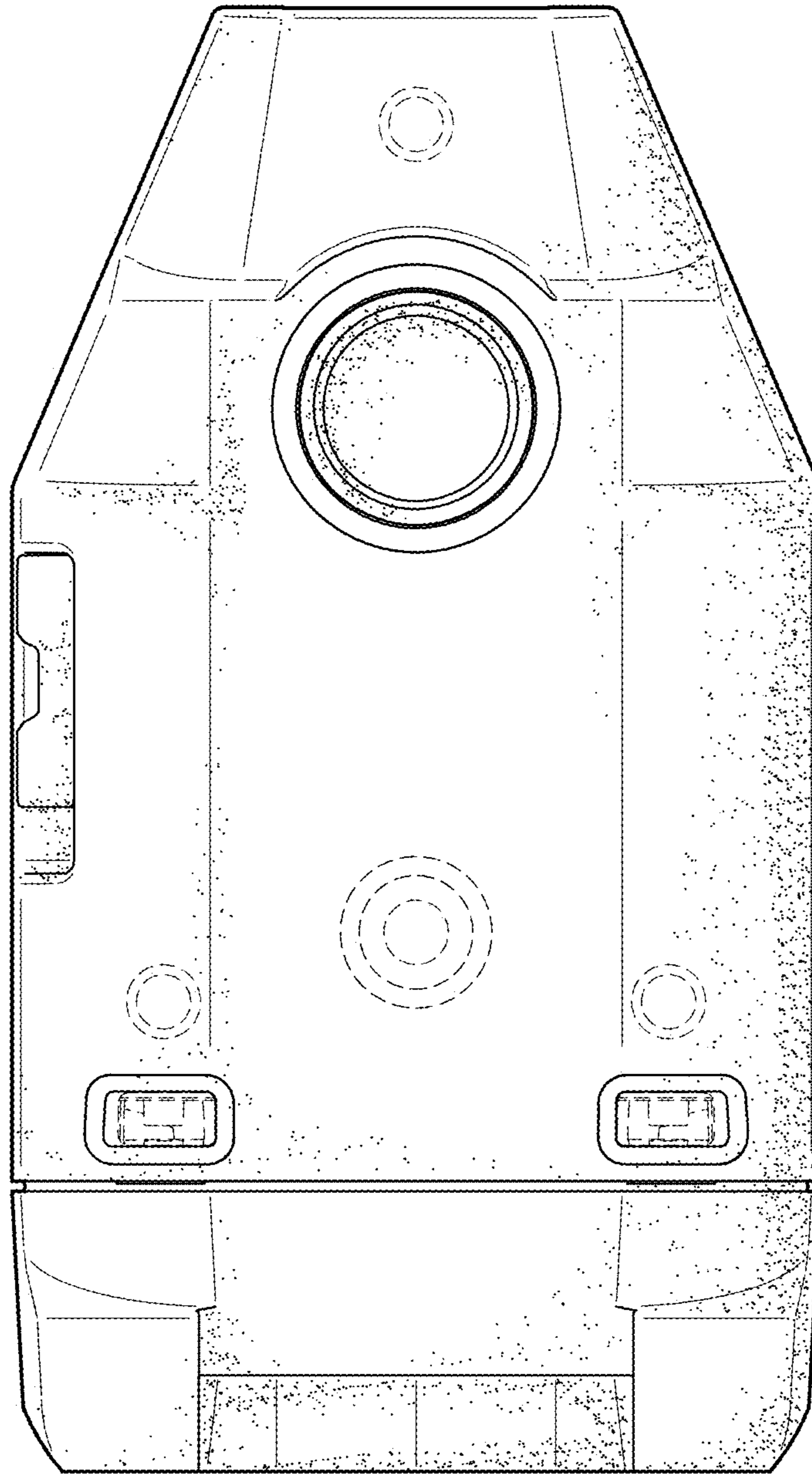


FIG. 8