

US00D891950S

(12) **United States Design Patent**  
**Christopherson**

(10) **Patent No.:** **US D891,950 S**

(45) **Date of Patent:** **\*\* Aug. 4, 2020**

(54) **QUILT RULER**

(71) Applicant: **Kimberbell Kids L.L.C.**, North Logan,  
UT (US)

(72) Inventor: **Kimberly Christopherson**, North  
Logan, UT (US)

(73) Assignee: **Kimberbell Kids L.L.C.**, North Logan,  
UT (US)

(\*\*) Term: **15 Years**

(21) Appl. No.: **29/715,172**

(22) Filed: **Nov. 27, 2019**

**Related U.S. Application Data**

(62) Division of application No. 29/665,895, filed on Oct.  
8, 2018, now Pat. No. Des. 874,953.

(51) **LOC (12) Cl.** ..... **10-04**

(52) **U.S. Cl.**  
USPC ..... **D10/64; D10/71**

(58) **Field of Classification Search**  
USPC ..... D10/64, 65, 71  
CPC .... B43L 7/027; B43L 7/10; B43L 7/12; B43L  
7/125; B43L 7/14; B43L 12/00; B43L  
13/20; B43L 13/201; B43L 13/203; B43L  
13/205; B43L 13/206; B43L 13/208;  
B43L 7/005; G01B 3/14; G01B 3/04;  
D05B 9/005; D05B 97/02; D05B 97/12;  
D05C 7/02; D05C 11/10; D05C 13/00;  
B25H 7/02

See application file for complete search history.

(56) **References Cited**

**U.S. PATENT DOCUMENTS**

D142,608 S \* 10/1945 Ziegfeld ..... D10/62  
D242,903 S \* 1/1977 Benoit ..... D10/64  
D361,533 S \* 8/1995 Kerry, Sr. .... D10/64

6,513,257 B2 \* 2/2003 Nejad-Sattari ..... G01B 3/14  
33/1 BB  
D597,869 S \* 8/2009 Elias ..... B43L 7/027  
D10/64  
D632,193 S \* 2/2011 Martin ..... D10/64  
D639,682 S \* 6/2011 Kozina ..... B27F 5/12  
D10/64  
9,157,247 B2 \* 10/2015 Korevaar ..... E04G 21/22  
D830,205 S \* 10/2018 Horton ..... B43L 7/027  
D10/64  
D836,470 S \* 12/2018 Ming ..... G01B 3/14  
D10/65  
D850,948 S \* 6/2019 Zhan ..... E04G 21/22  
D10/71

(Continued)

*Primary Examiner* — Antoine Duval Davis

(74) *Attorney, Agent, or Firm* — Preston P. Frischknecht;  
Project CIP

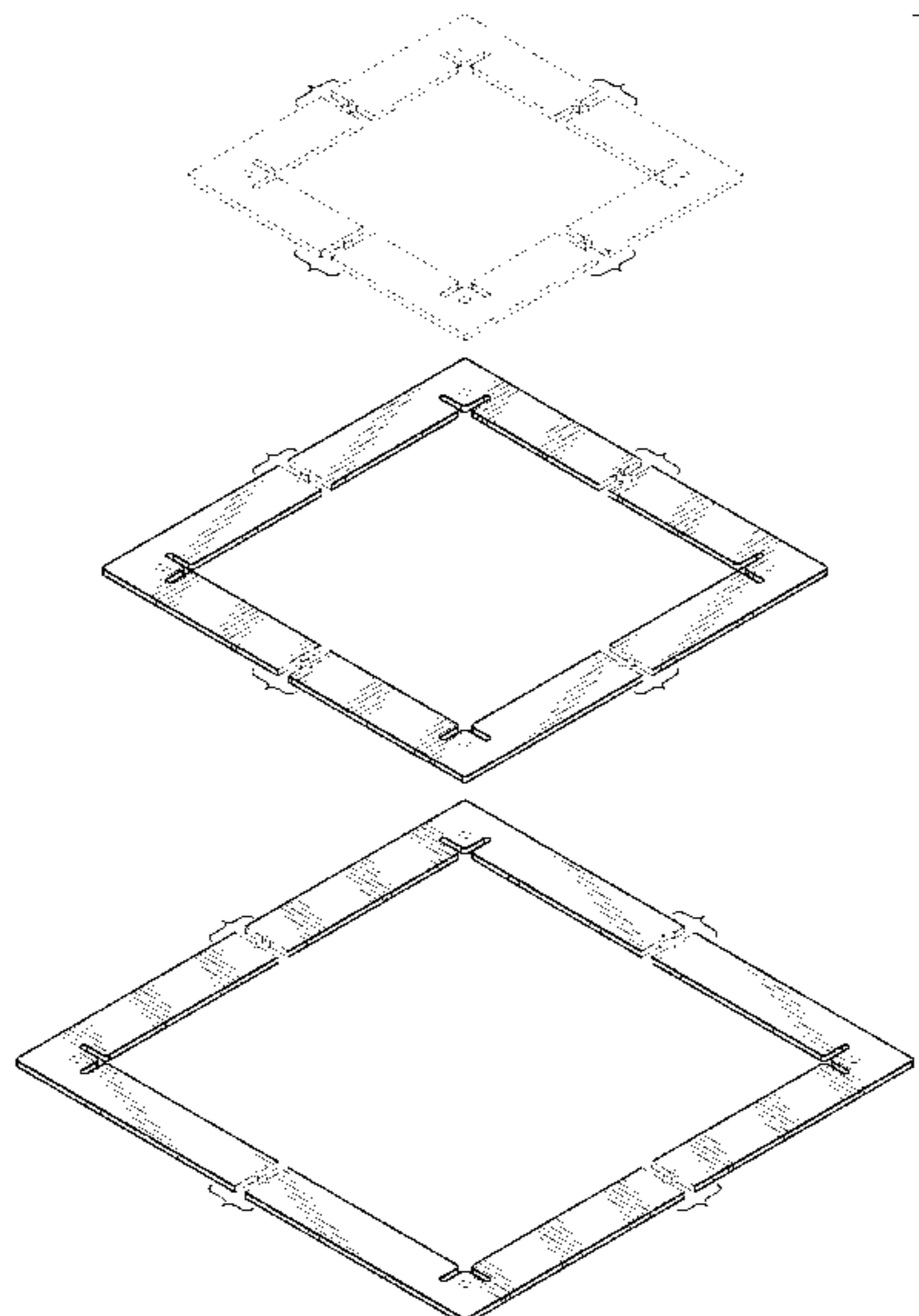
(57) **CLAIM**

The ornamental design for a quilt ruler, as shown and  
described.

**DESCRIPTION**

FIG. 1 is an exploded view shown in an environment of a  
nesting ruler;  
FIG. 2 is a front perspective view shown in an environment  
of a nested ruler;  
FIG. 3 is a front view shown in an environment of a nested  
ruler;  
FIG. 4 is a top view shown in an environment of a nested  
ruler;  
FIG. 5 is a bottom view shown in an environment of a nested  
ruler;  
FIG. 6 is a left side view shown in an environment of a  
nested ruler; and,  
FIG. 7 is a right side view shown in an environment of a  
nested ruler.  
The broken lines depict portions of environment that form  
no part of the claimed design.

**1 Claim, 5 Drawing Sheets**



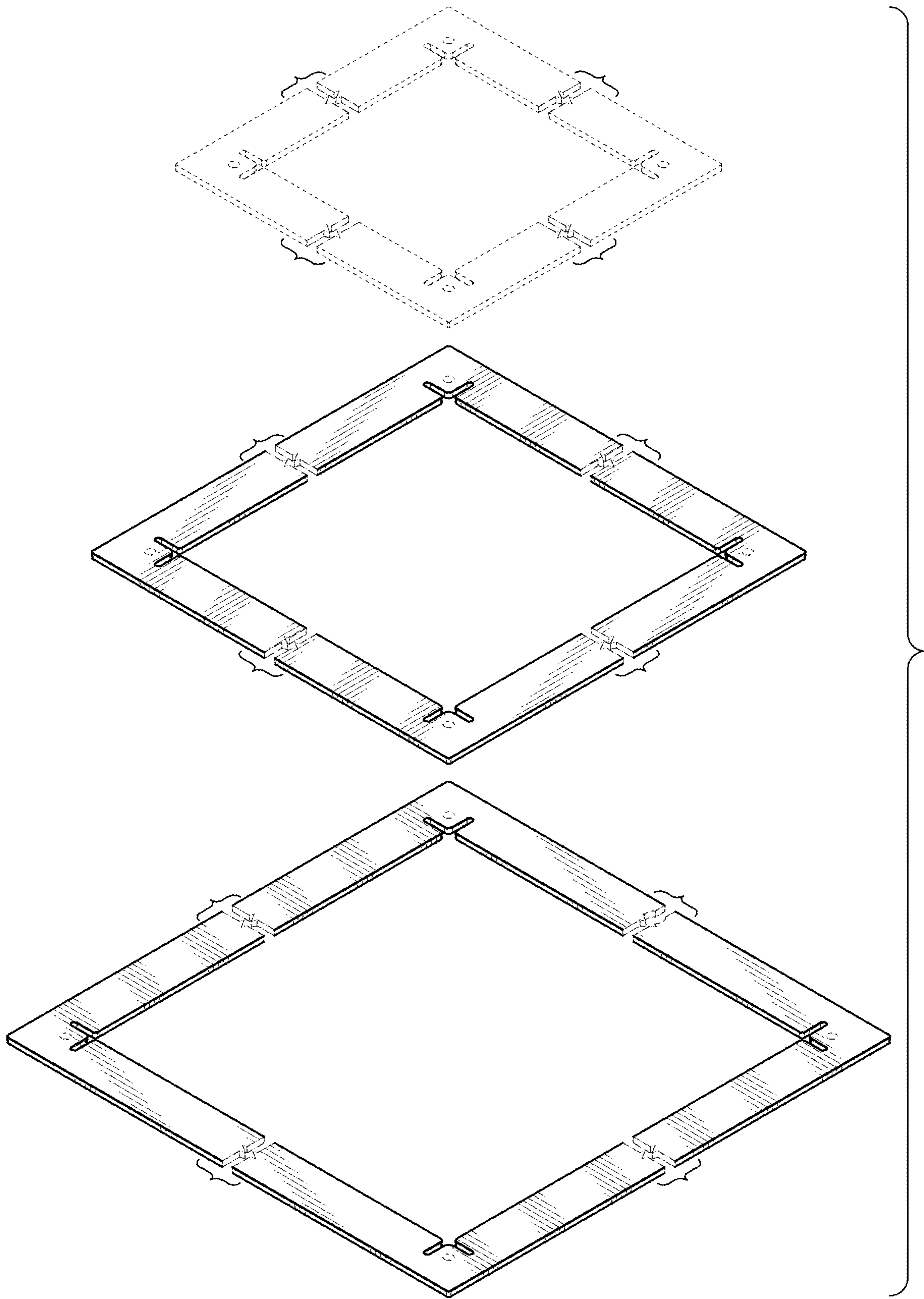
(56)

**References Cited**

U.S. PATENT DOCUMENTS

D874,953 S \* 2/2020 Christopherson ..... D10/64  
D876,251 S \* 2/2020 Branham ..... D10/64

\* cited by examiner



**FIG. 1**

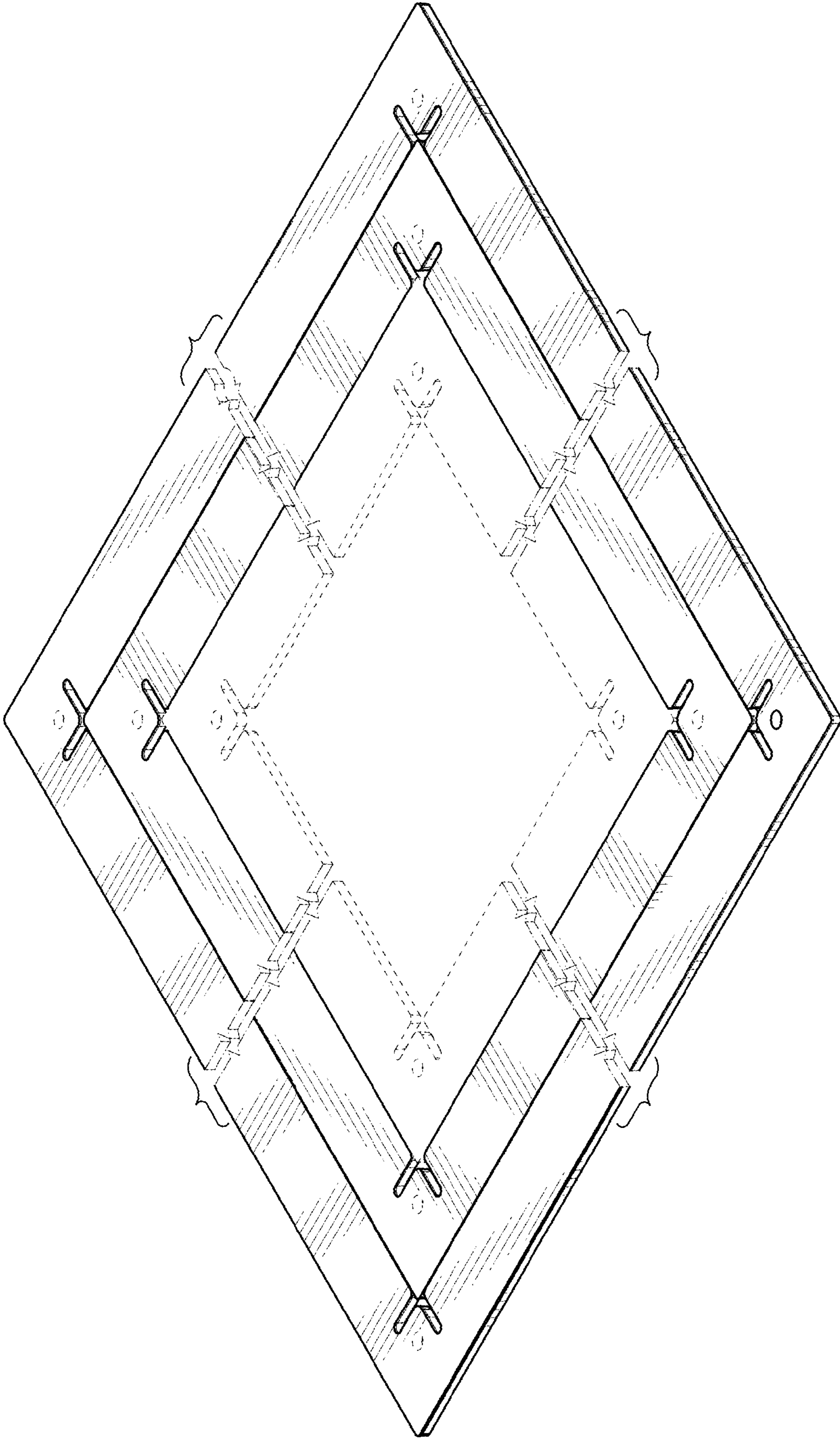


FIG. 2

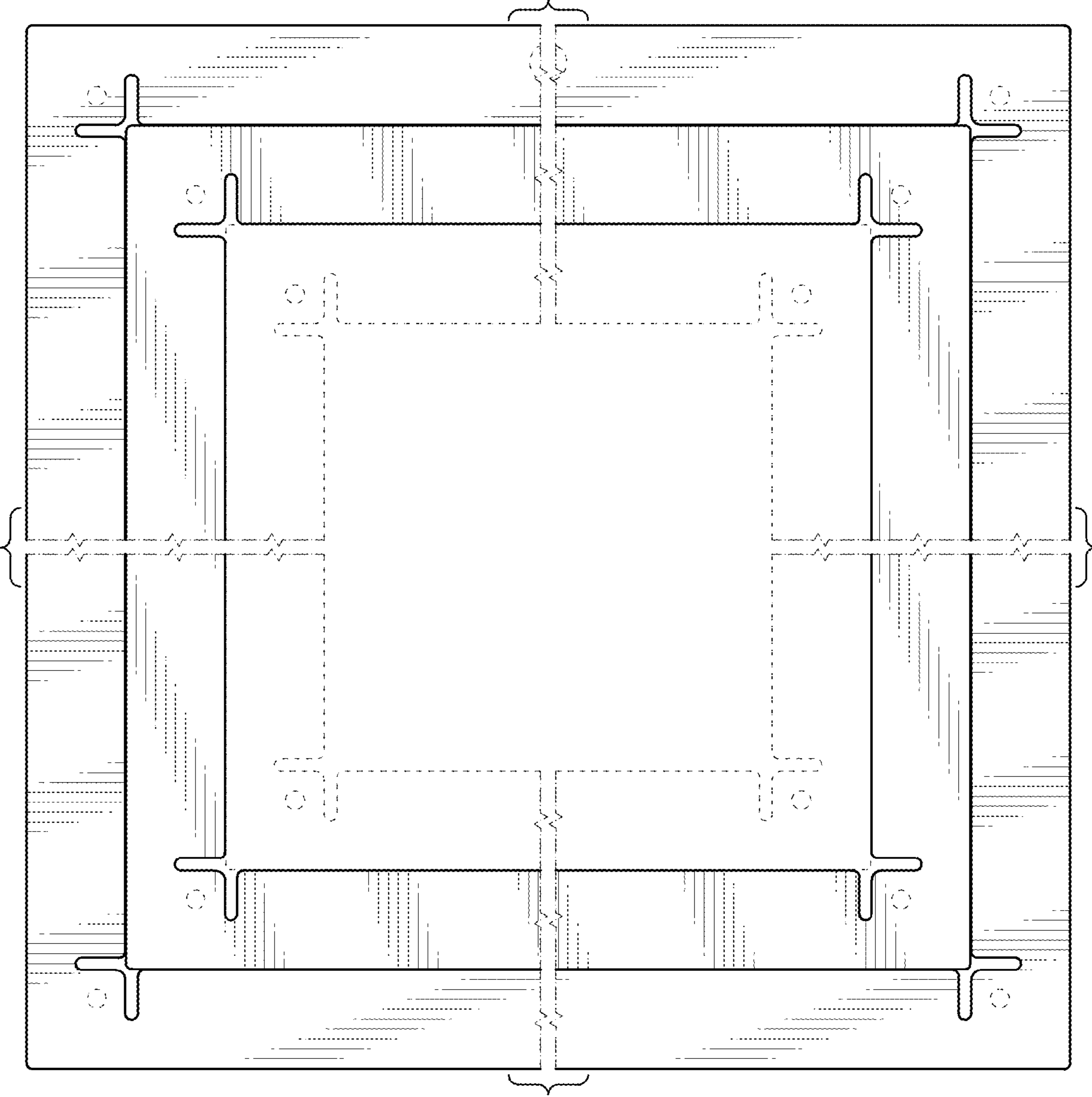
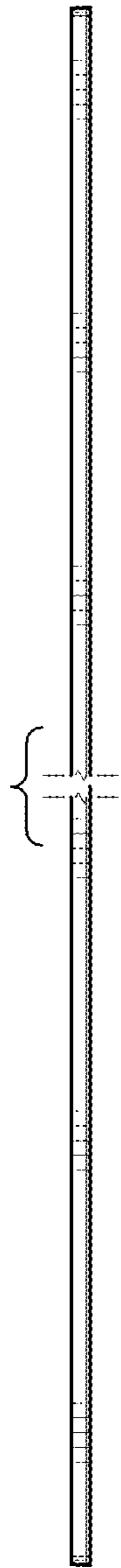
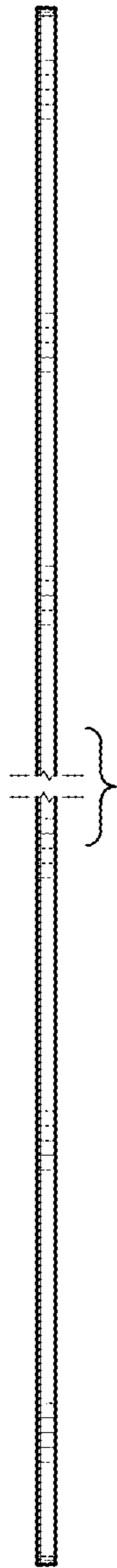


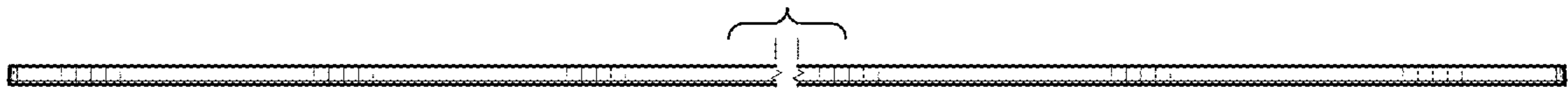
FIG. 3



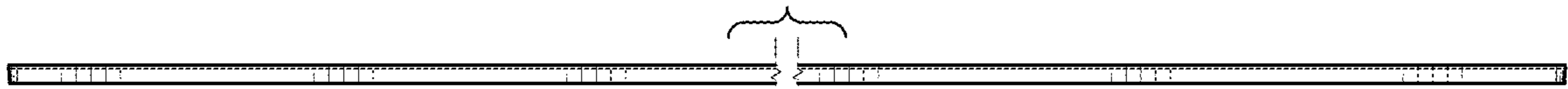
**FIG. 4**



**FIG. 5**



**FIG. 6**



**FIG. 7**