



US00D891949S

(12) **United States Design Patent**
Yi

(10) **Patent No.:** **US D891,949 S**

(45) **Date of Patent:** **** Aug. 4, 2020**

(54) **WIRELESS FOOD THERMOMETER**

(71) Applicant: **Jianjun Yi**, Shaoyang (CN)

(72) Inventor: **Jianjun Yi**, Shaoyang (CN)

(**) Term: **15 Years**

(21) Appl. No.: **29/711,802**

(22) Filed: **Nov. 3, 2019**

(51) **LOC (12) Cl.** **10-04**

(52) **U.S. Cl.**

USPC **D10/57**

(58) **Field of Classification Search**

USPC D10/57

CPC G01K 2207/02; G01K 2207/04; G01K 2207/06; G01K 2207/08; G01K 1/024

See application file for complete search history.

D841,493 S	2/2019	Liu	
D845,154 S *	4/2019	Yu	G01K 1/022 D10/57
D858,319 S *	9/2019	Liu	G01K 1/02 D10/57
D878,936 S *	3/2020	Yu	G01K 1/024 D10/57
D885,943 S *	6/2020	Yu	A61B 5/01 D10/57

* cited by examiner

Primary Examiner — Antoine Duval Davis

(74) *Attorney, Agent, or Firm* — Erson IP (Nelson IP)

(57) **CLAIM**

The ornamental design for a wireless food thermometer, as shown and described.

DESCRIPTION

FIG. 1 is a perspective view of a wireless food thermometer showing my new design;

FIG. 2 is another perspective view thereof;

FIG. 3 is a front view thereof;

FIG. 4 is a rear view thereof;

FIG. 5 is a left side view thereof;

FIG. 6 is a right side view thereof;

FIG. 7 is a top plan view thereof; and,

FIG. 8 is a bottom plan view thereof.

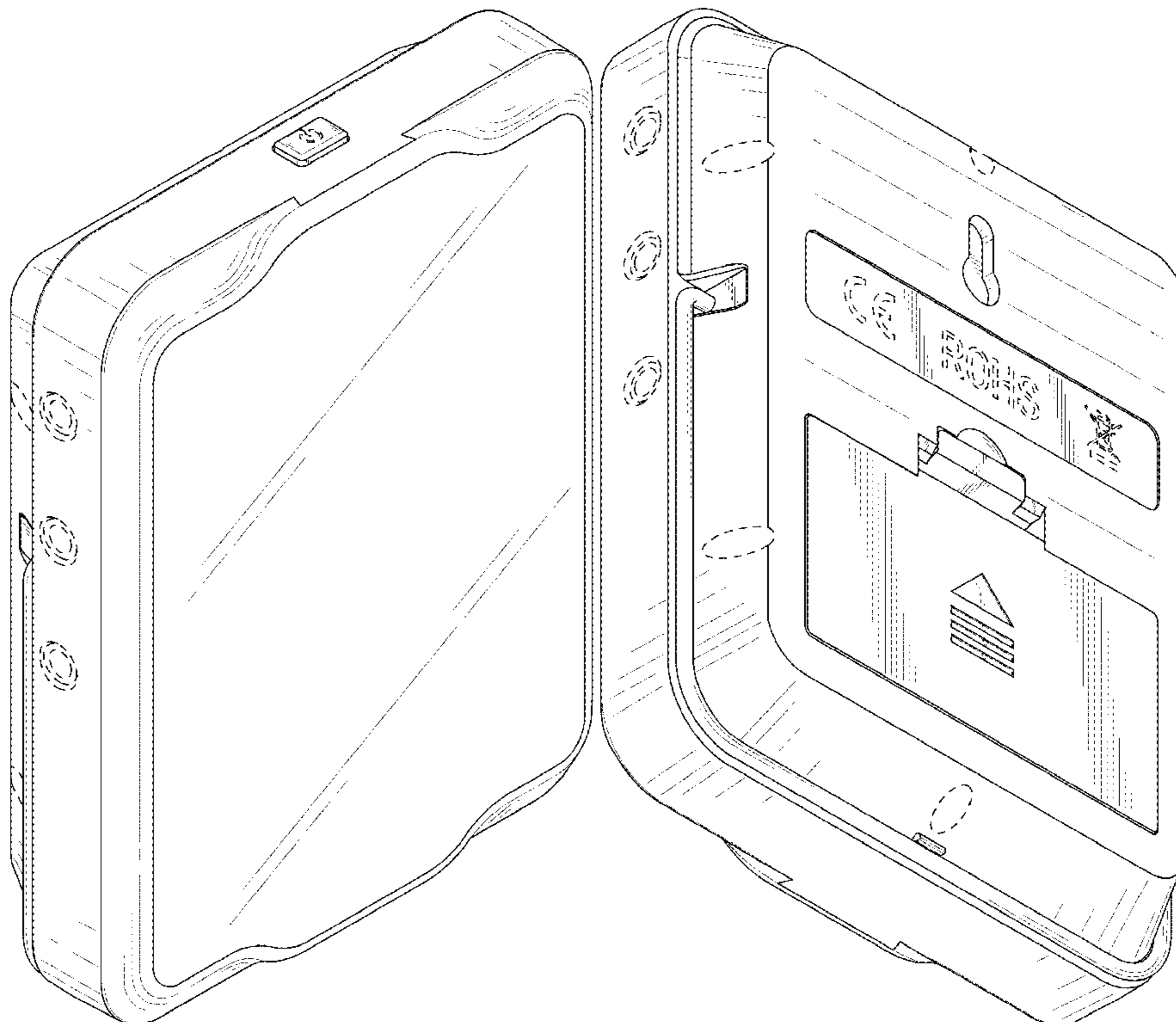
The broken lines are for the purposes of illustrating portions of the wireless food thermometer and form no part of the claimed design.

(56) **References Cited**

U.S. PATENT DOCUMENTS

D472,480 S *	4/2003	Chung	D10/57
D473,150 S *	4/2003	Chung	D10/57
7,201,099 B2 *	4/2007	Harris, Jr.	G01K 1/02 374/E1.002
7,722,248 B1 *	5/2010	Chapman	G01K 1/024 340/870.17
D765,523 S *	9/2016	Chapman	D10/57
9,625,327 B1 *	4/2017	Bernstein	G01K 1/022
9,693,689 B2 *	7/2017	Gannon	A61B 5/01
D837,669 S *	1/2019	Yu	D10/57
D840,846 S *	2/2019	Liu	D10/57
D841,492 S	2/2019	Liu	

1 Claim, 8 Drawing Sheets



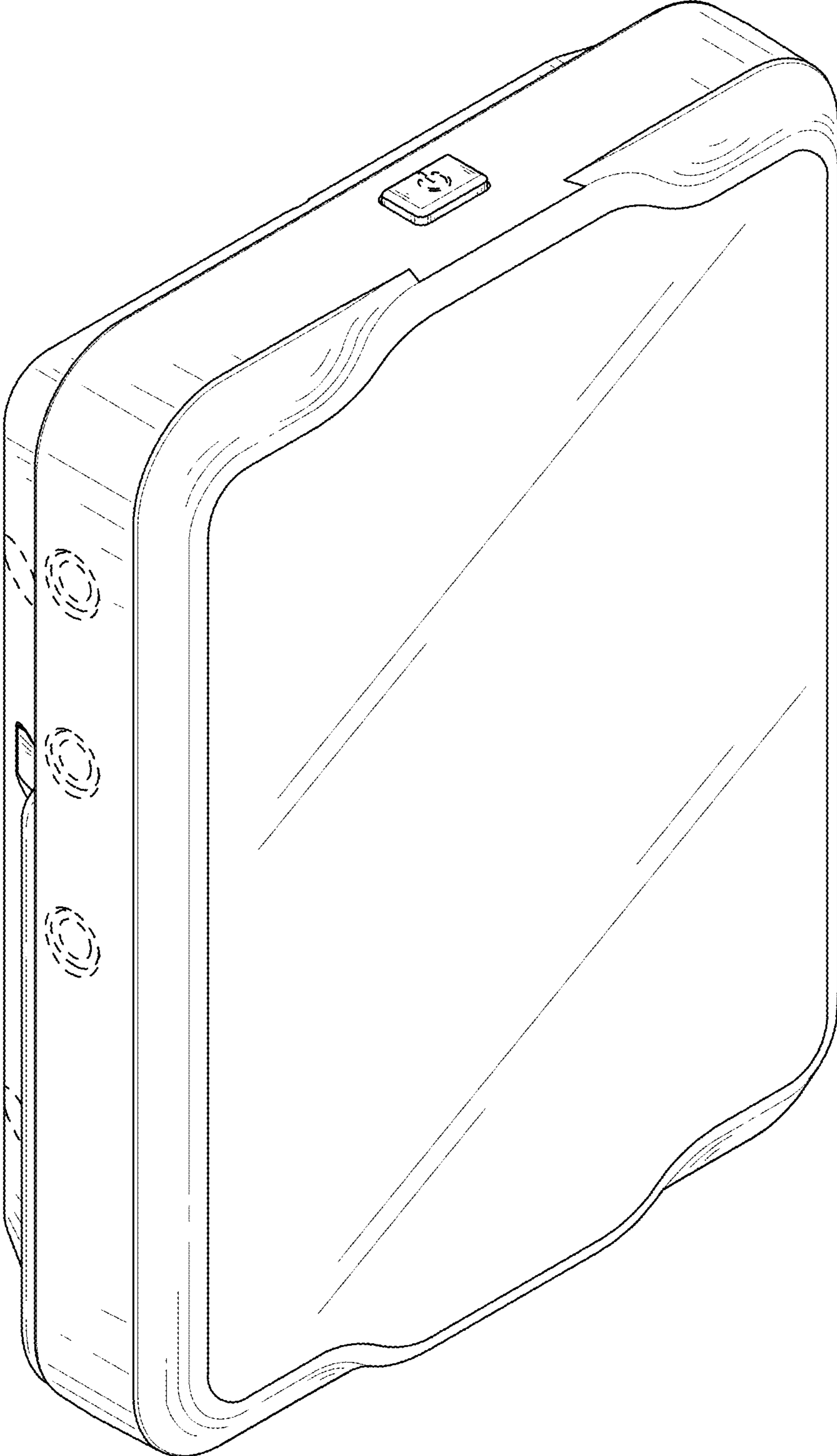


FIG. 1

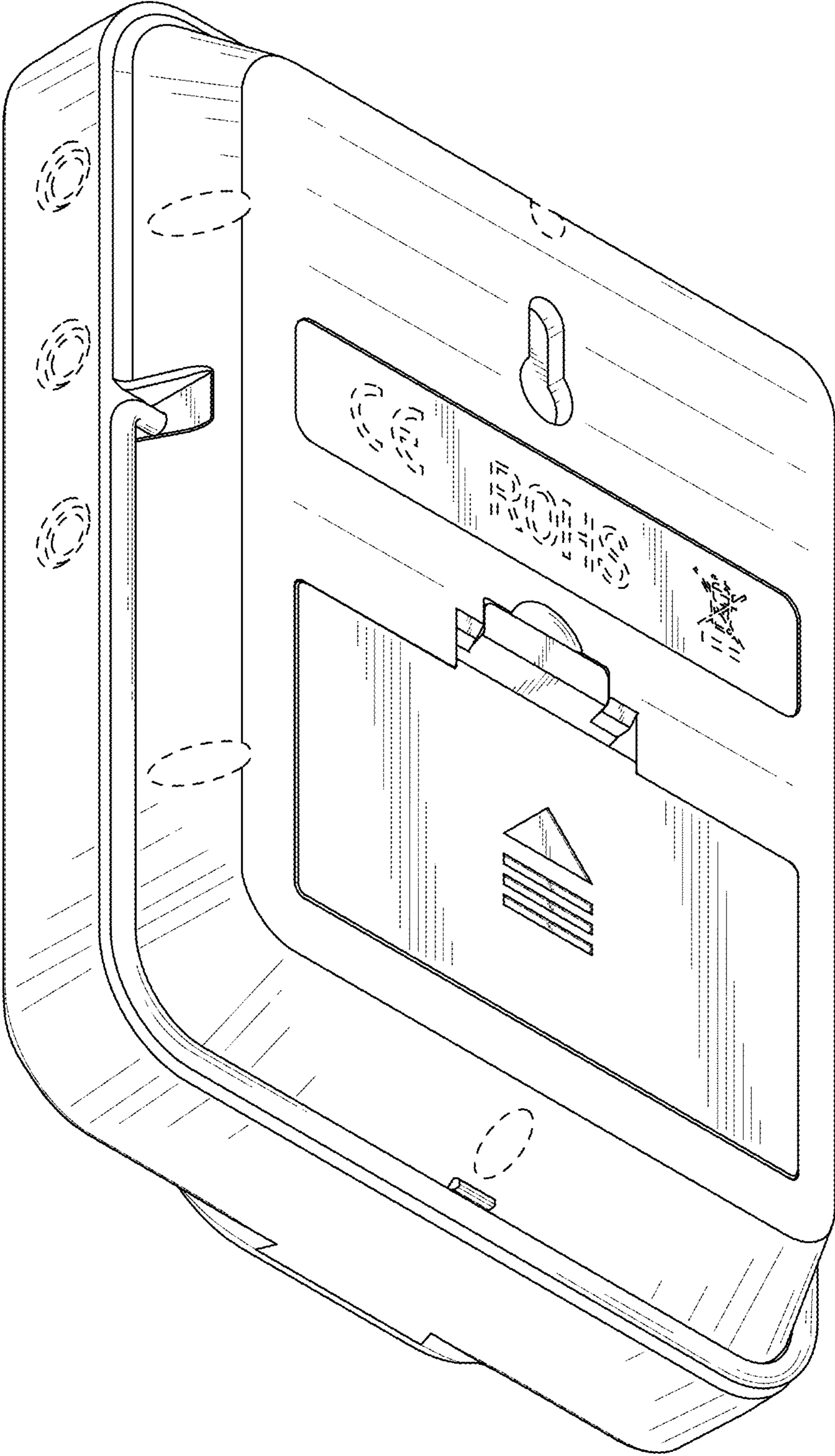


FIG. 2

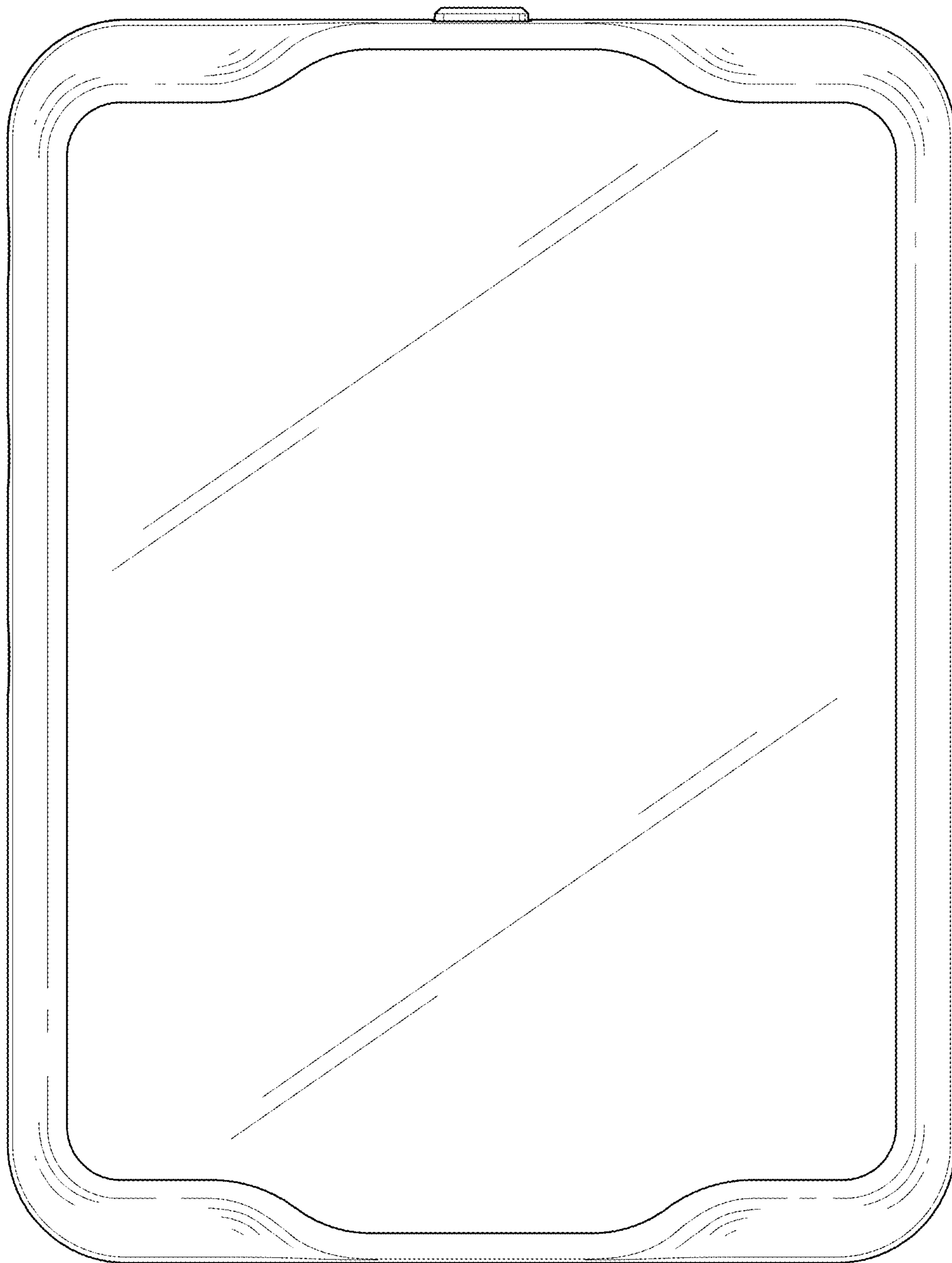


FIG. 3

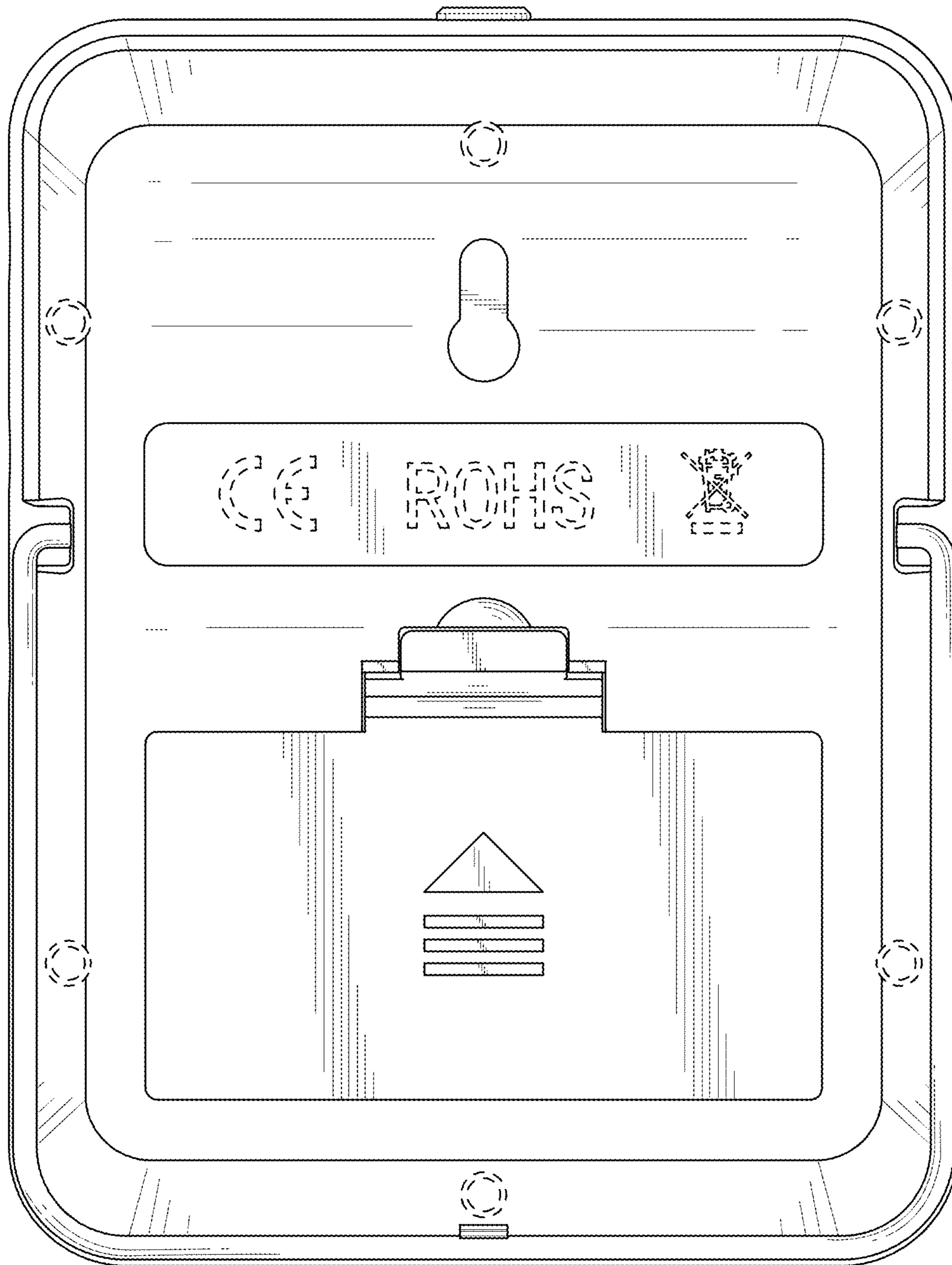


FIG. 4

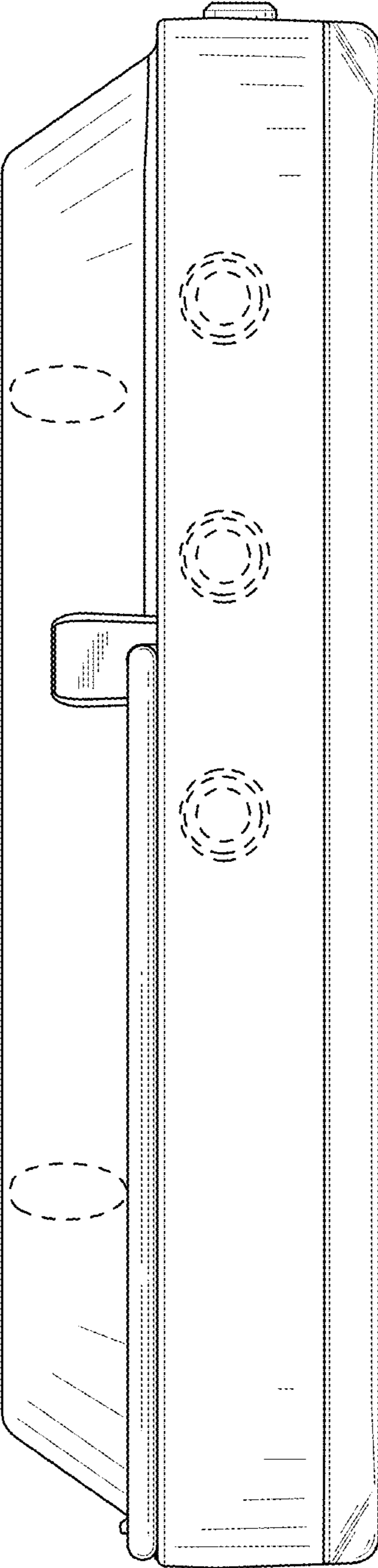


FIG. 5

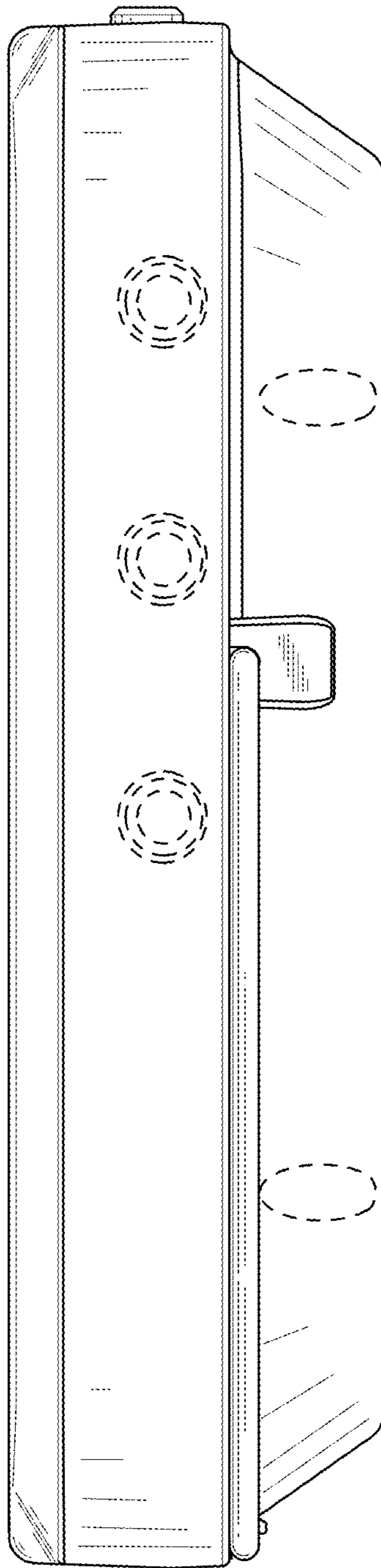


FIG. 6

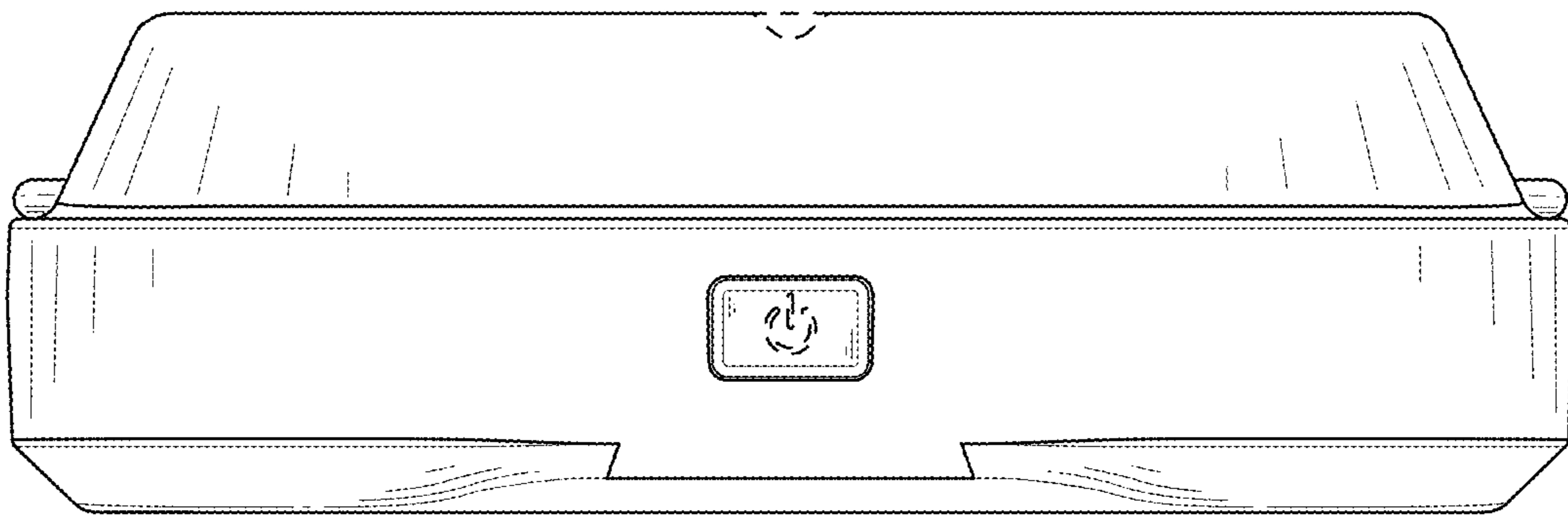


FIG. 7

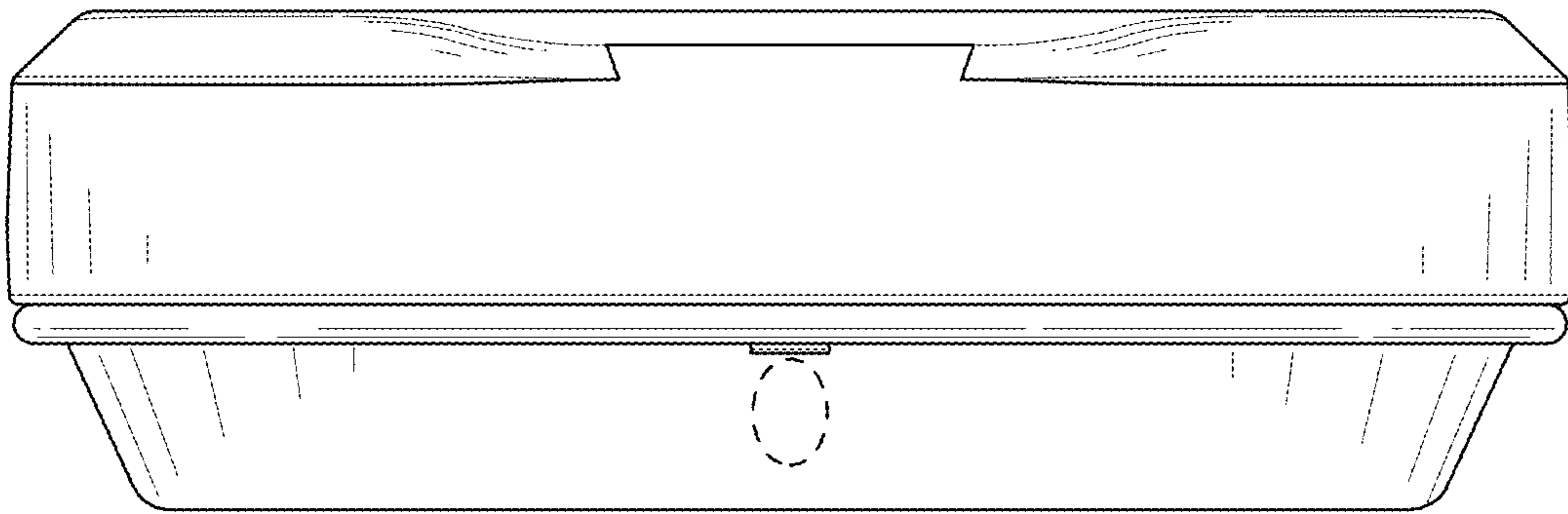


FIG. 8