



US00D891943S

(12) **United States Design Patent**  
**He**

(10) **Patent No.:** **US D891,943 S**

(45) **Date of Patent:** **\*\* Aug. 4, 2020**

(54) **PACKAGING BOX**

(71) Applicant: **Ecode Packaging Limited**, Dongguan (CN)

(72) Inventor: **Qunxiao He**, Dongguan (CN)

(73) Assignee: **Bcode Packaging Limited**, Dongguan (CN)

(\*\*) Term: **15 Years**

(21) Appl. No.: **29/697,716**

(22) Filed: **Jul. 10, 2019**

(30) **Foreign Application Priority Data**

Jun. 18, 2019 (CN) ..... 2019 3 0315429

(51) **LOC (12) Cl.** ..... **09-03**

(52) **U.S. Cl.**  
USPC ..... **D9/757; D7/553.4**

(58) **Field of Classification Search**  
USPC ..... D9/737, 756, 757, 761, 762, 414, 420,  
D9/423, 424, 425, 430, 643; D7/541,  
D7/542, 555, 556, 566, 567, 601, 602,  
D7/701-703; 220/500, 507, 508;  
206/216, 217, 541-550, 518, 557, 558,  
206/561, 562, 564, 223, 467; 229/906  
See application file for complete search history.

(56) **References Cited**

**U.S. PATENT DOCUMENTS**

D208,275 S \* 8/1967 Pearl ..... D9/757  
D222,828 S \* 1/1972 Giraudet et al. .... D9/757  
D262,355 S \* 12/1981 Oakley ..... D9/424  
D266,225 S \* 9/1982 Villotte ..... D9/757  
D282,147 S \* 1/1986 Mangla ..... D9/424  
D323,424 S \* 1/1992 Beiler ..... D7/357

D520,377 S \* 5/2006 Beese ..... D9/757  
D583,659 S \* 12/2008 Lyon ..... D9/737  
D587,109 S \* 2/2009 Lyon ..... D9/737  
D592,076 S \* 5/2009 Sipe ..... D9/420  
D592,077 S \* 5/2009 Sipe ..... D9/420  
8,397,936 B2 \* 3/2013 Schleining ..... B65D 43/162  
220/507  
D771,503 S \* 11/2016 Brummer ..... D9/756  
D782,334 S \* 3/2017 Bishop ..... D9/757  
D788,601 S \* 6/2017 Muhlemann ..... D9/762  
D791,616 S \* 7/2017 Muhlemann ..... D9/757  
D802,444 S \* 11/2017 Schleining ..... D9/762  
D833,301 S \* 11/2018 Liu ..... D9/737  
D854,928 S \* 7/2019 Corbin ..... D9/435  
2007/0151892 A1 \* 7/2007 St-Onge ..... B65D 85/32  
206/521.1  
2007/0256954 A1 \* 11/2007 Vovan ..... B65D 85/32  
206/521.1  
2013/0004625 A1 \* 1/2013 Brummer ..... B65B 7/26  
426/119

\* cited by examiner

*Primary Examiner* — W. A. Teddy Falloway

(74) *Attorney, Agent, or Firm* — Wang Law Firm, Inc.

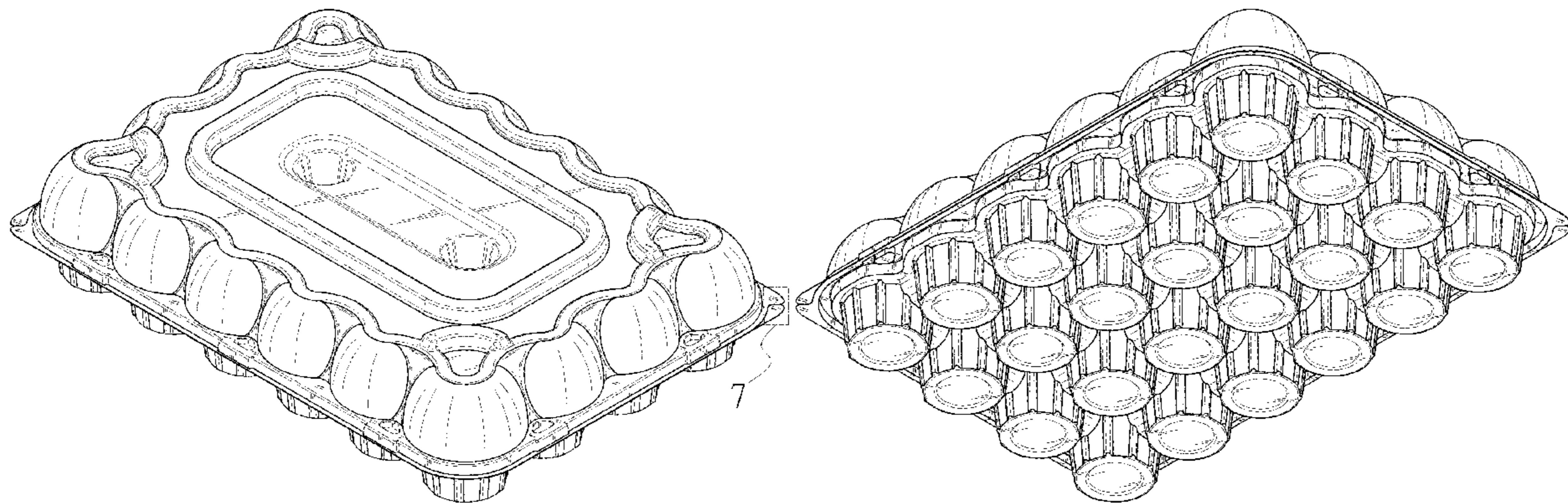
(57) **CLAIM**

The ornamental design for a packaging box, as shown.

**DESCRIPTION**

FIG. 1 is a perspective view of the packaging box showing my new design;  
FIG. 2 is a front elevation view thereof;  
FIG. 3 is a left side elevation view thereof;  
FIG. 4 is a top plan view thereof;  
FIG. 5 is a bottom plan view thereof;  
FIG. 6 is a perspective view of the packaging box from another angle of view showing my new design; and,  
FIG. 7 is an enlarged view of the portion labeled "7" framed in FIG. 1.

**1 Claim, 7 Drawing Sheets**



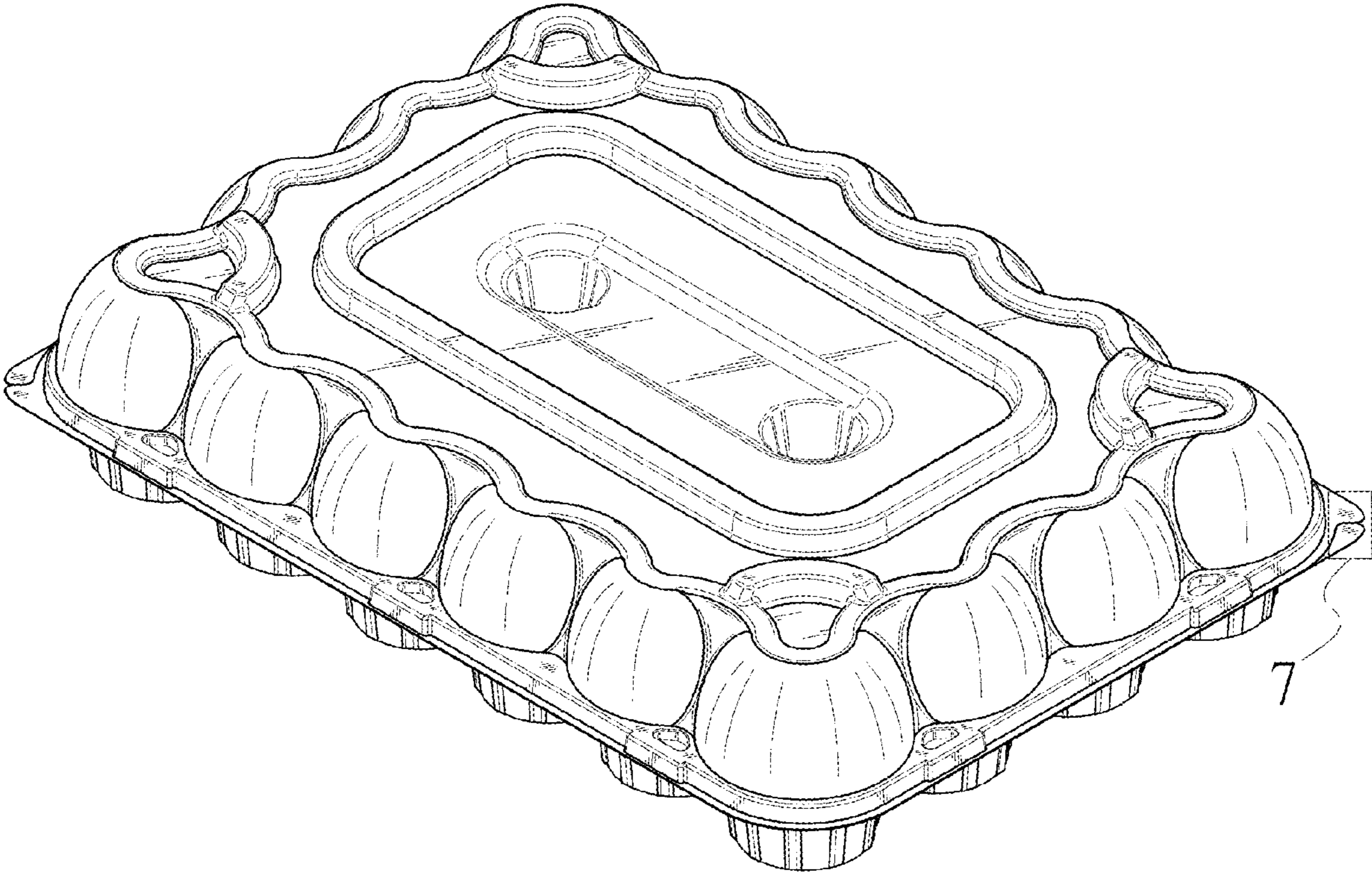


FIG.1

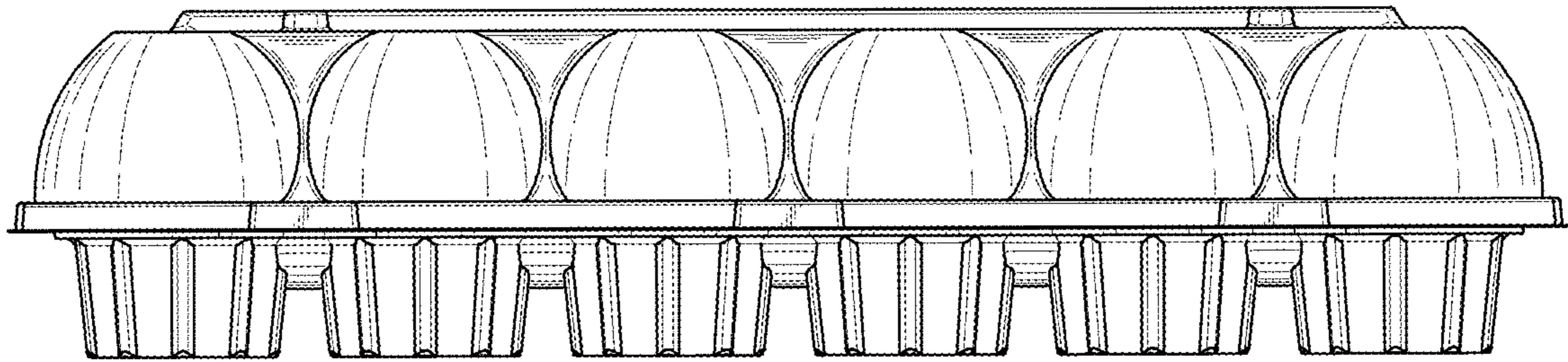


FIG.2



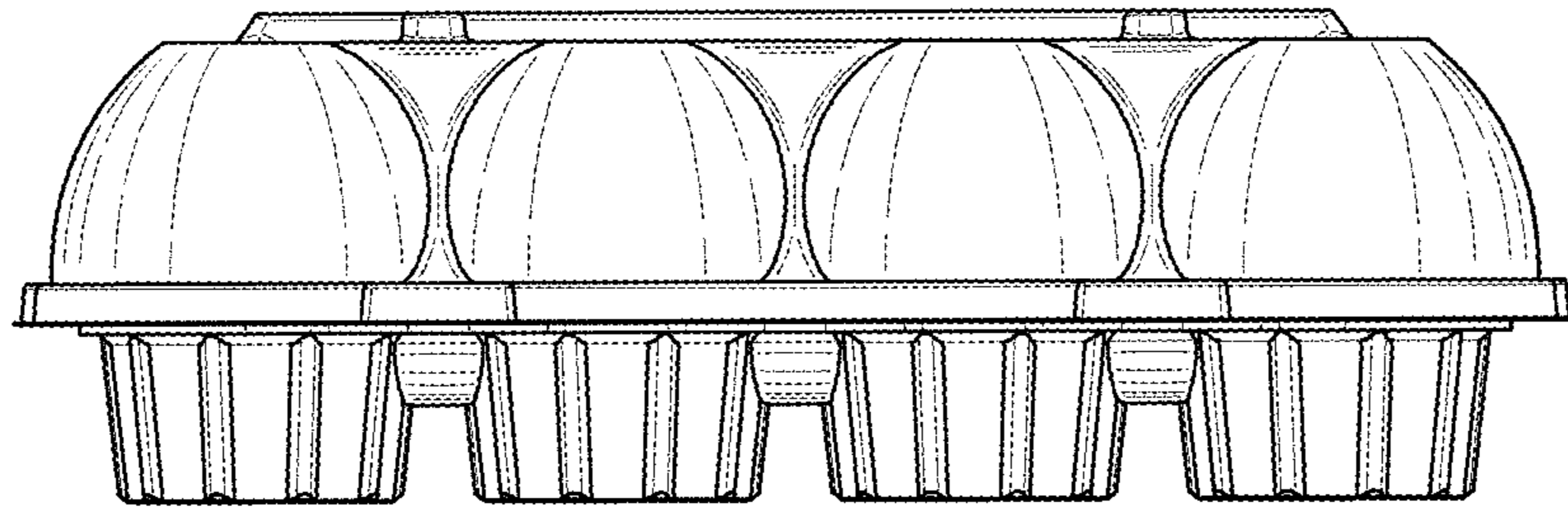


FIG.3

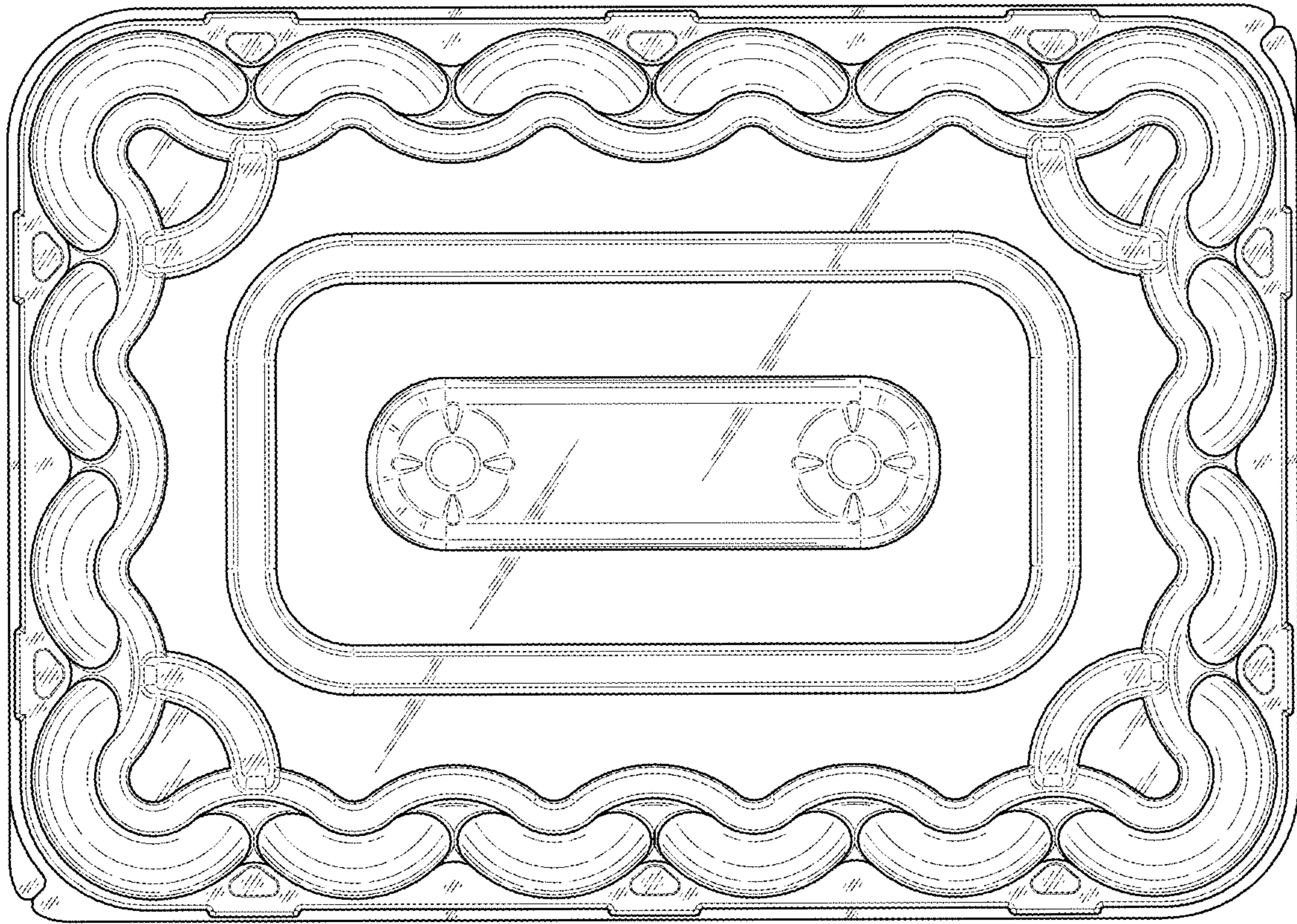


FIG.4



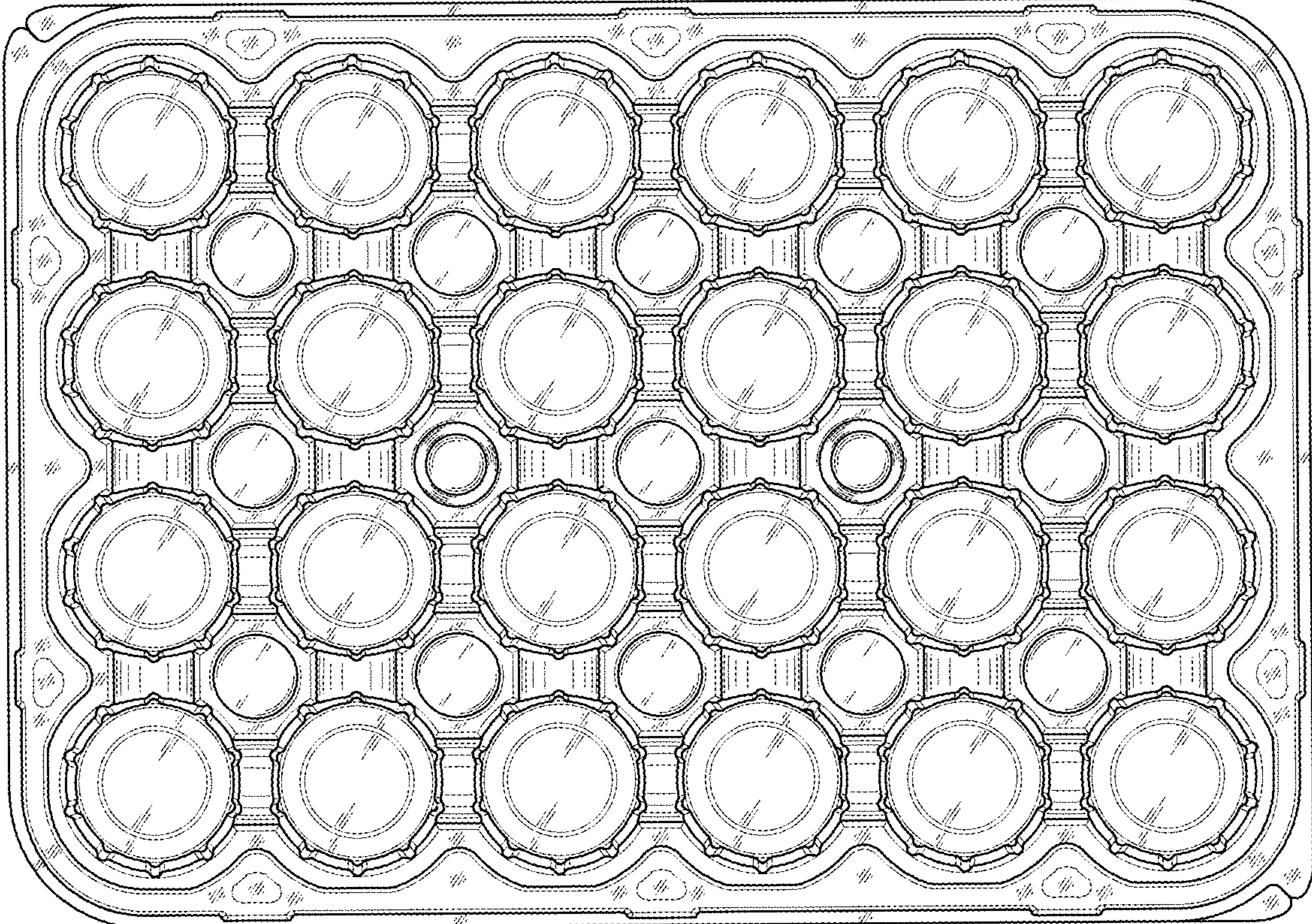


FIG.5

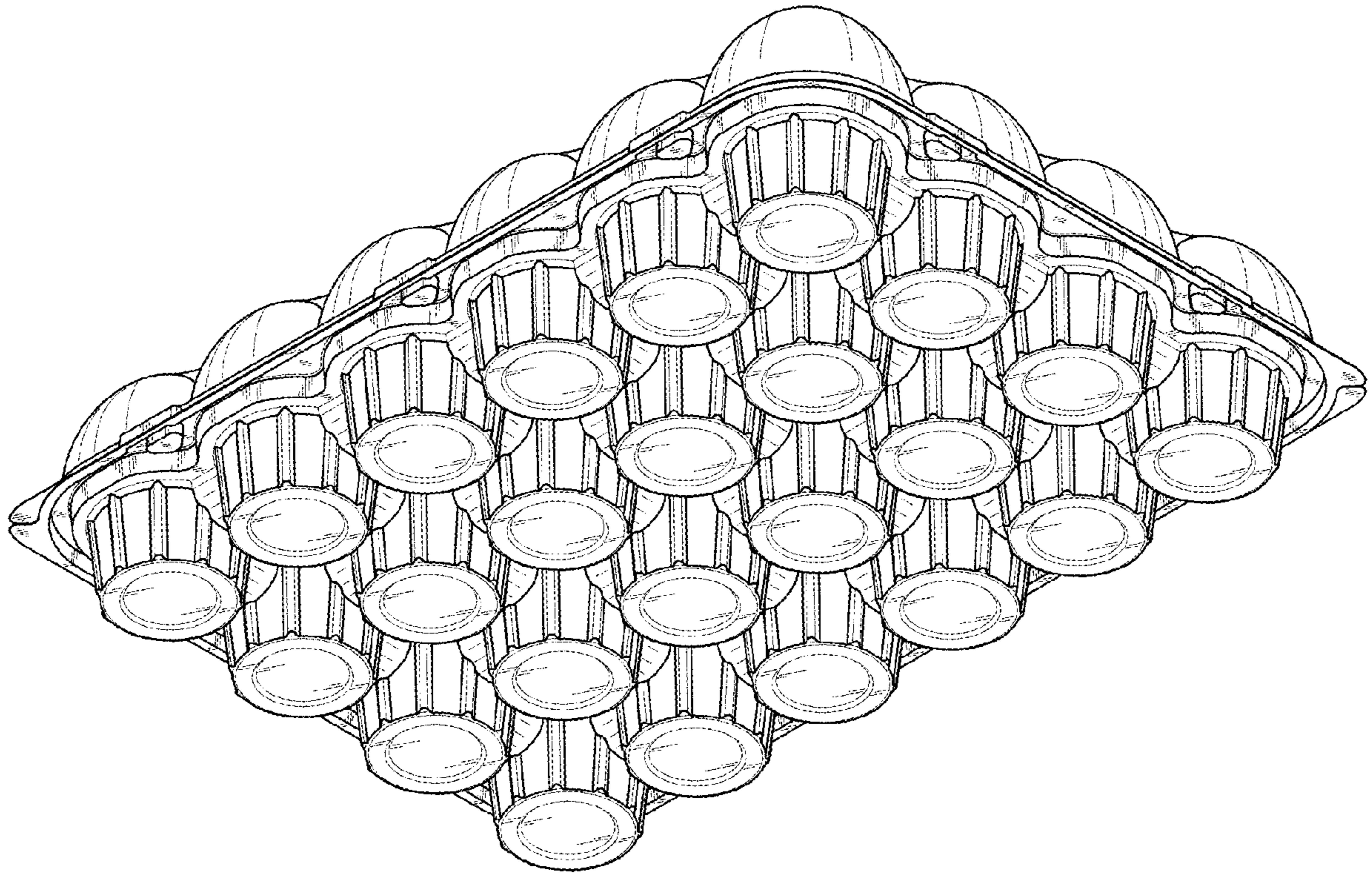


FIG.6



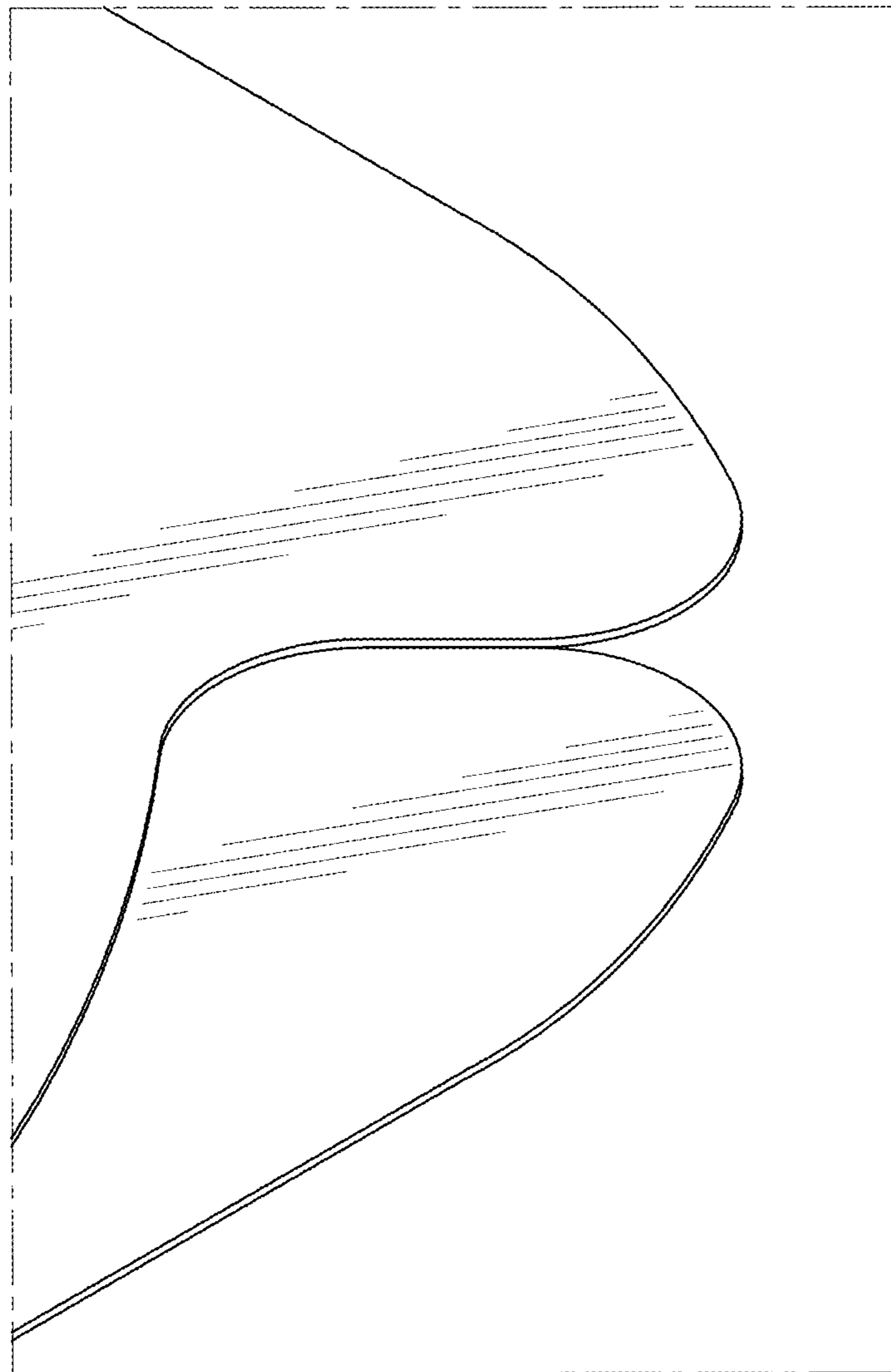


FIG.7