



US00D891942S

(12) **United States Design Patent**
He

(10) **Patent No.:** **US D891,942 S**

(45) **Date of Patent:** **** Aug. 4, 2020**

(54) **PACKAGING BOX**

(71) Applicant: **Ecode Packaging Limited**, Dongguan (CN)

(72) Inventor: **Qunxiao He**, Dongguan (CN)

(73) Assignee: **Bcode Packaging Limited**, Dongguan (CN)

(**) Term: **15 Years**

(21) Appl. No.: **29/697,714**

(22) Filed: **Jul. 10, 2019**

(30) **Foreign Application Priority Data**

Jun. 18, 2019 (CN) 2019 3 0315441

(51) **LOC (12) Cl.** **09-03**

(52) **U.S. Cl.**
USPC **D9/757; D7/553.4**

(58) **Field of Classification Search**
USPC D9/737, 756, 757, 761, 762, 414, 420,
D9/423, 424, 425, 430, 643; D7/541,
D7/542, 555, 556, 566, 567, 601, 602,
D7/701-703; 220/500, 507, 508;
206/216, 217, 541-550, 518, 557, 558,
206/561, 562, 564, 223, 467; 229/906
See application file for complete search history.

(56) **References Cited**

U.S. PATENT DOCUMENTS

D208,275 S * 8/1967 Pearl D9/757
D222,828 S * 1/1972 Giraudet et al. D9/757
D262,355 S * 12/1981 Oakley D9/424
D266,225 S * 9/1982 Villotte D9/757
D282,147 S * 1/1986 Mangla D9/424
D323,424 S * 1/1992 Beiler D7/357

D520,377 S * 5/2006 Beese D9/757
D583,659 S * 12/2008 Lyon D9/737
D587,109 S * 2/2009 Lyon D9/737
D592,076 S * 5/2009 Sipe D9/420
D592,077 S * 5/2009 Sipe D9/420
8,397,936 B2 * 3/2013 Schleining B65D 43/162
220/507
D771,503 S * 11/2016 Brummer D9/756
D782,334 S * 3/2017 Bishop D9/757
D788,601 S * 6/2017 Muhlemann D9/762
D791,616 S * 7/2017 Muhlemann D9/757
D802,444 S * 11/2017 Schleining D9/762
D833,301 S * 11/2018 Liu D9/737
D854,928 S * 7/2019 Corbin D9/435
2007/0151892 A1 * 7/2007 St-Onge B65D 85/32
206/521.1
2007/0256954 A1 * 11/2007 Vovan B65D 85/32
206/521.1
2013/0004625 A1 * 1/2013 Brummer B65B 7/26
426/119

* cited by examiner

Primary Examiner — W. A. Teddy Falloway

(74) *Attorney, Agent, or Firm* — Wang Law Firm, Inc.

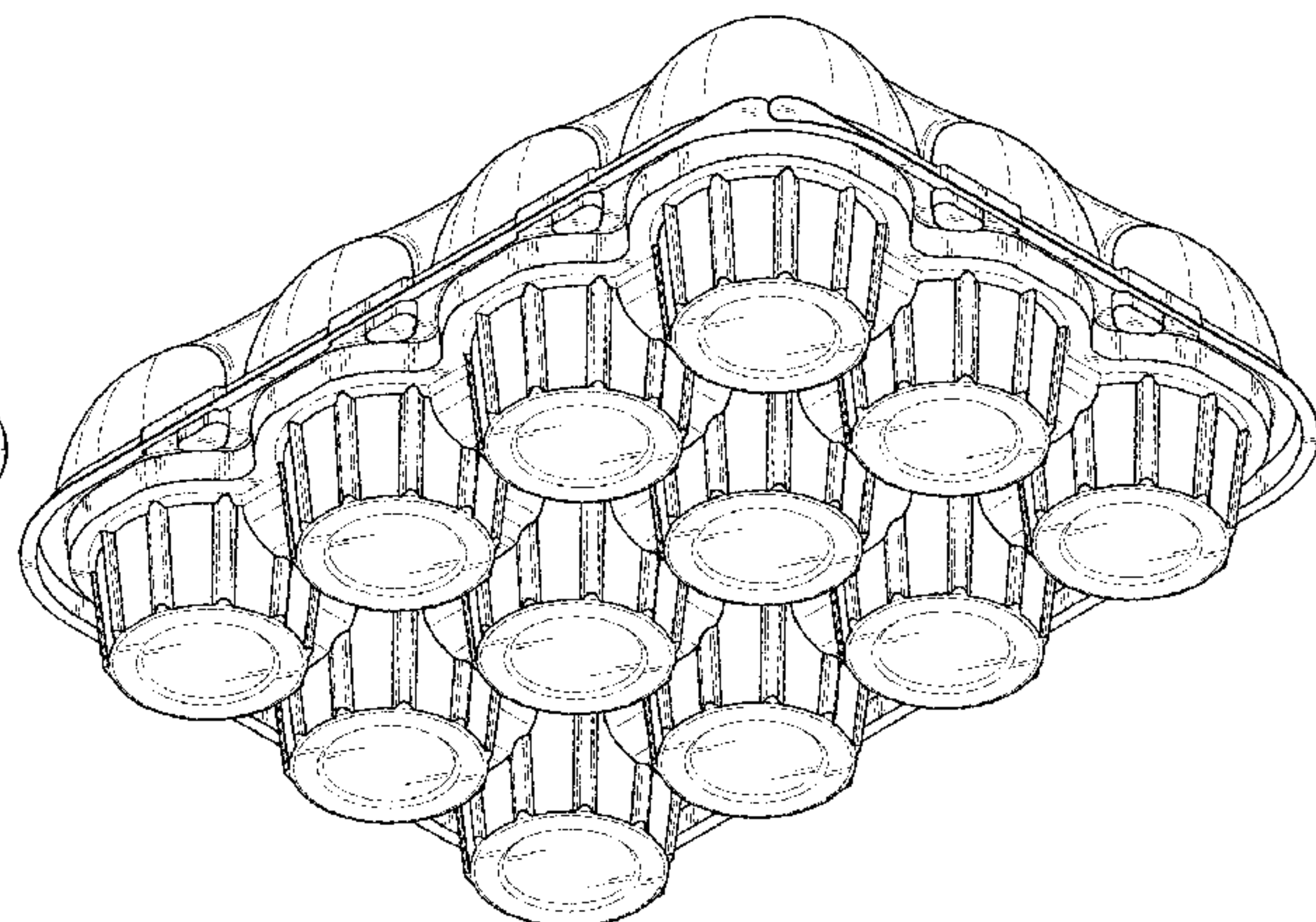
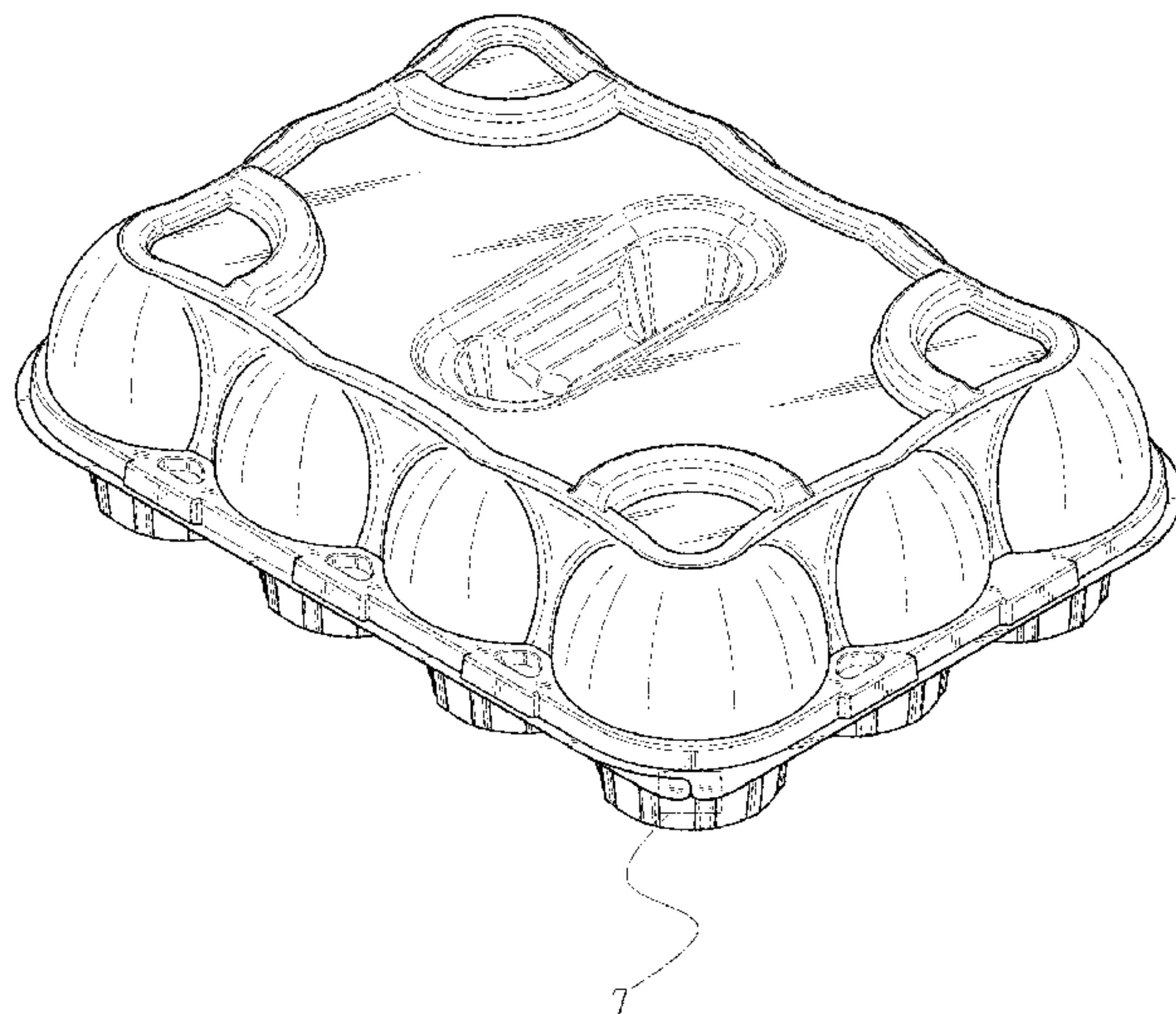
(57) **CLAIM**

The ornamental design for a packaging box, as shown.

DESCRIPTION

FIG. 1 is a perspective view of the packaging box showing my new design;
FIG. 2 is a front elevation view thereof;
FIG. 3 is a left side elevation view thereof;
FIG. 4 is a top plan view thereof;
FIG. 5 is a bottom plan view thereof;
FIG. 6 is a perspective view of the packaging box from another angle of view showing my new design; and,
FIG. 7 is an enlarged view of the portion labeled “7” framed in FIG. 1.

1 Claim, 7 Drawing Sheets



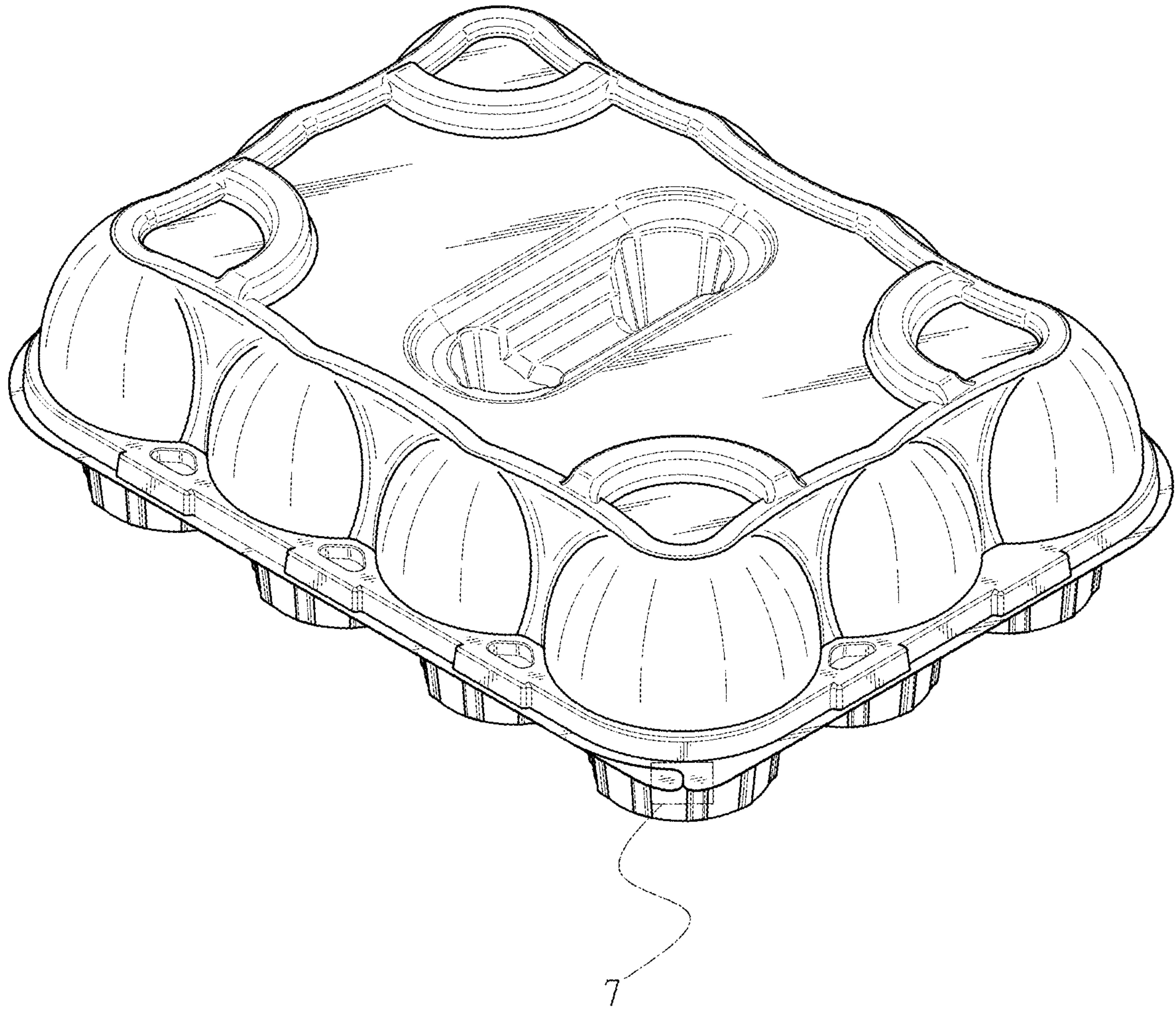


FIG.1

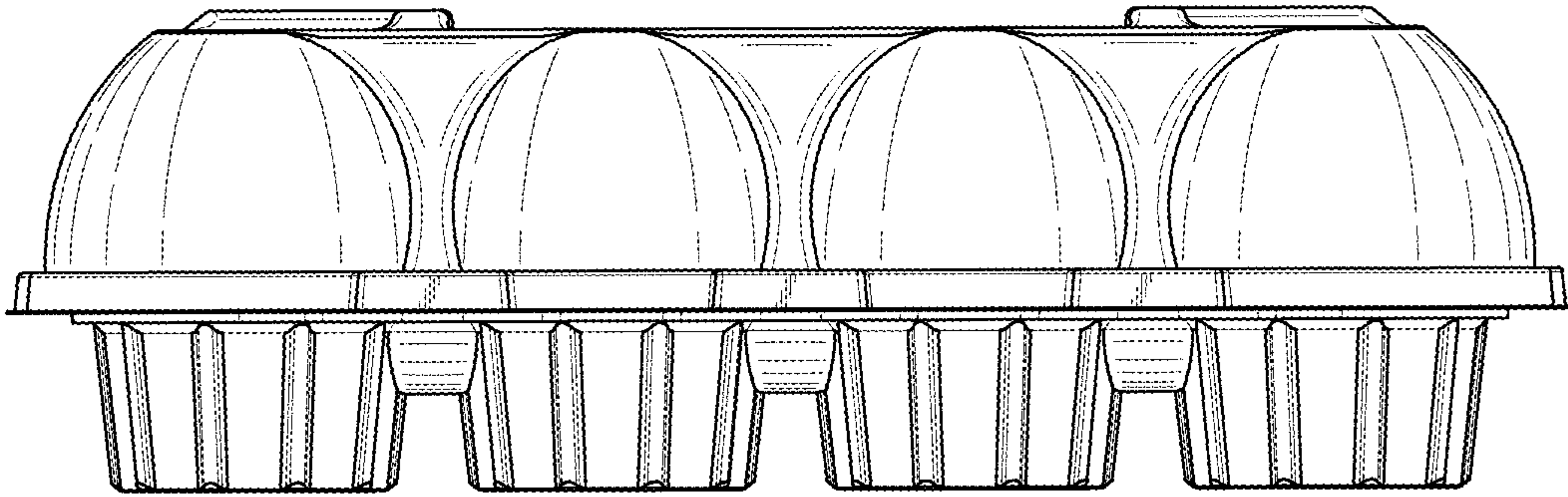


FIG.2

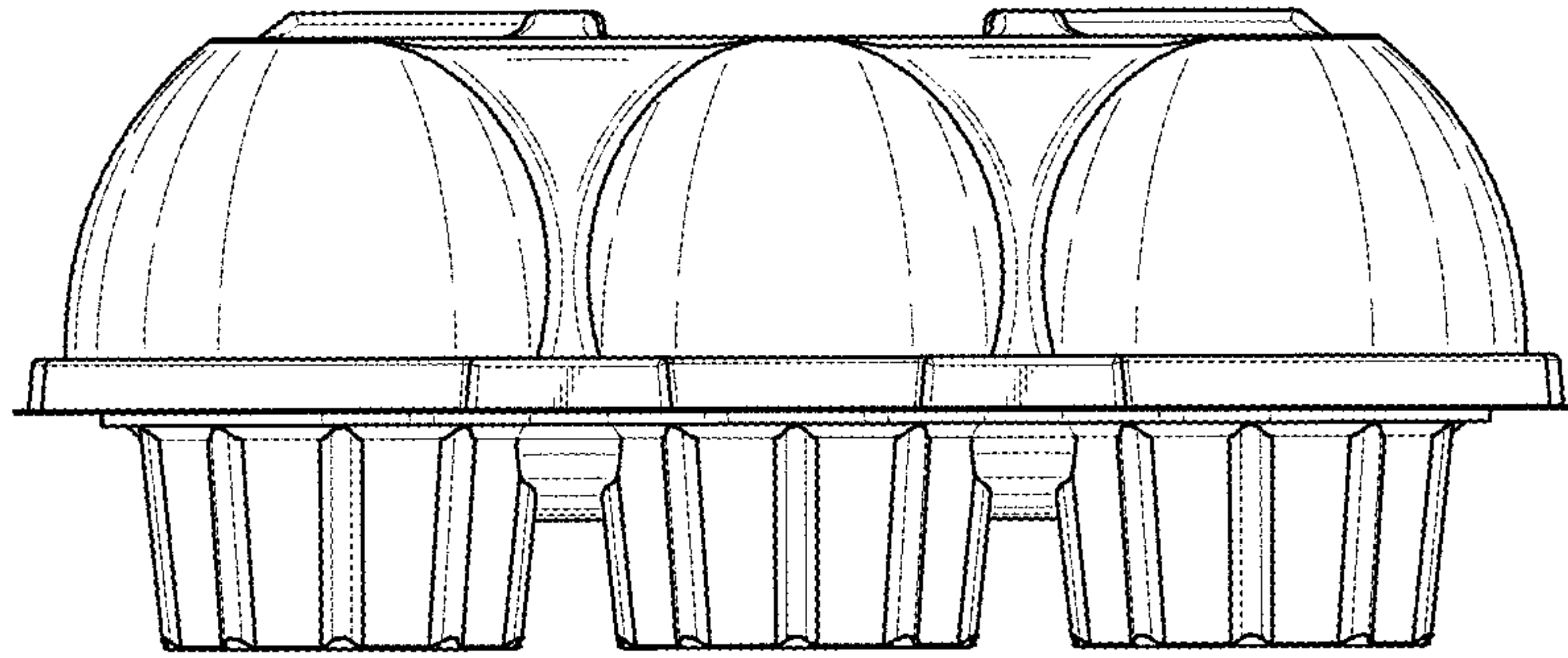


FIG.3

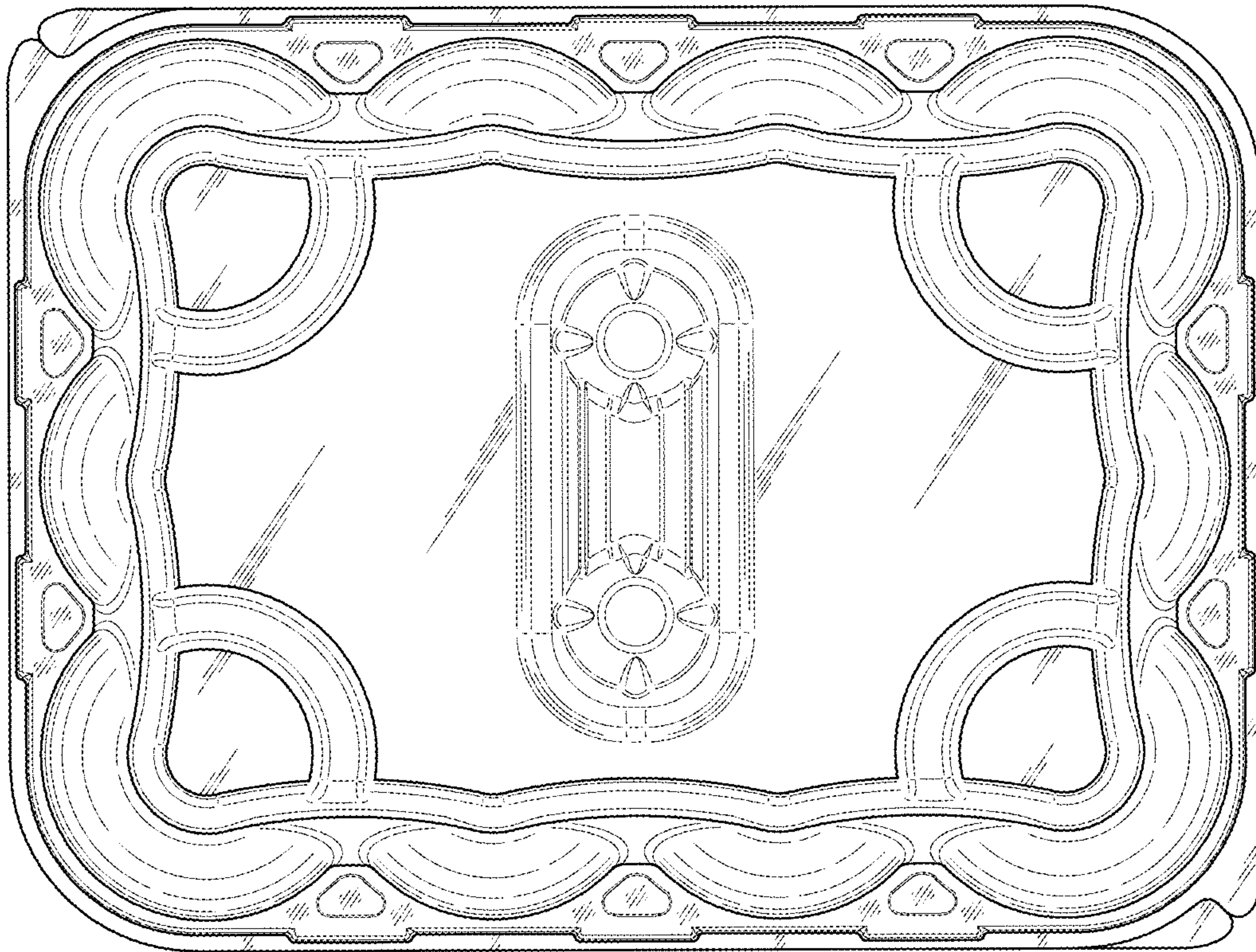


FIG.4

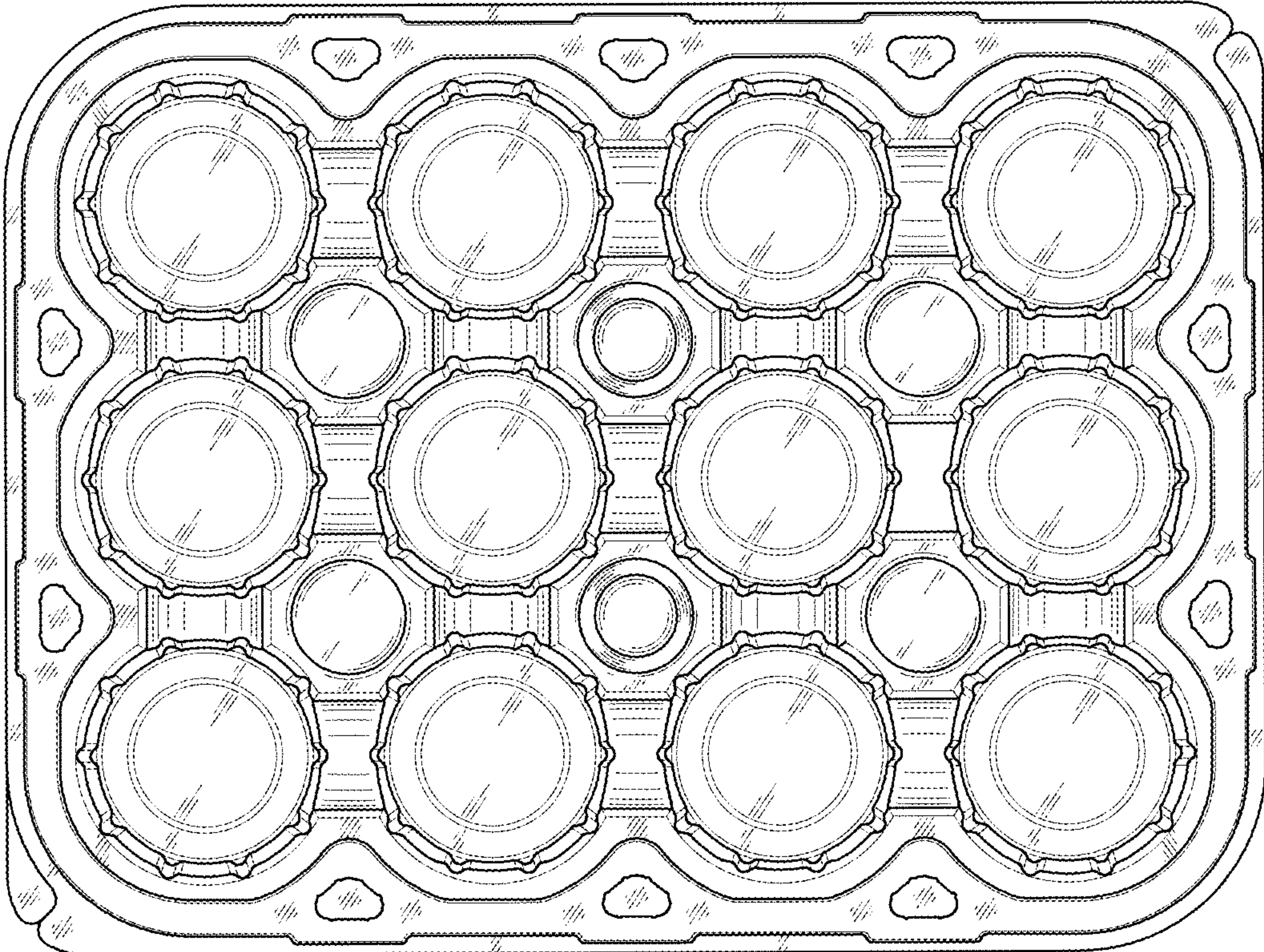


FIG.5

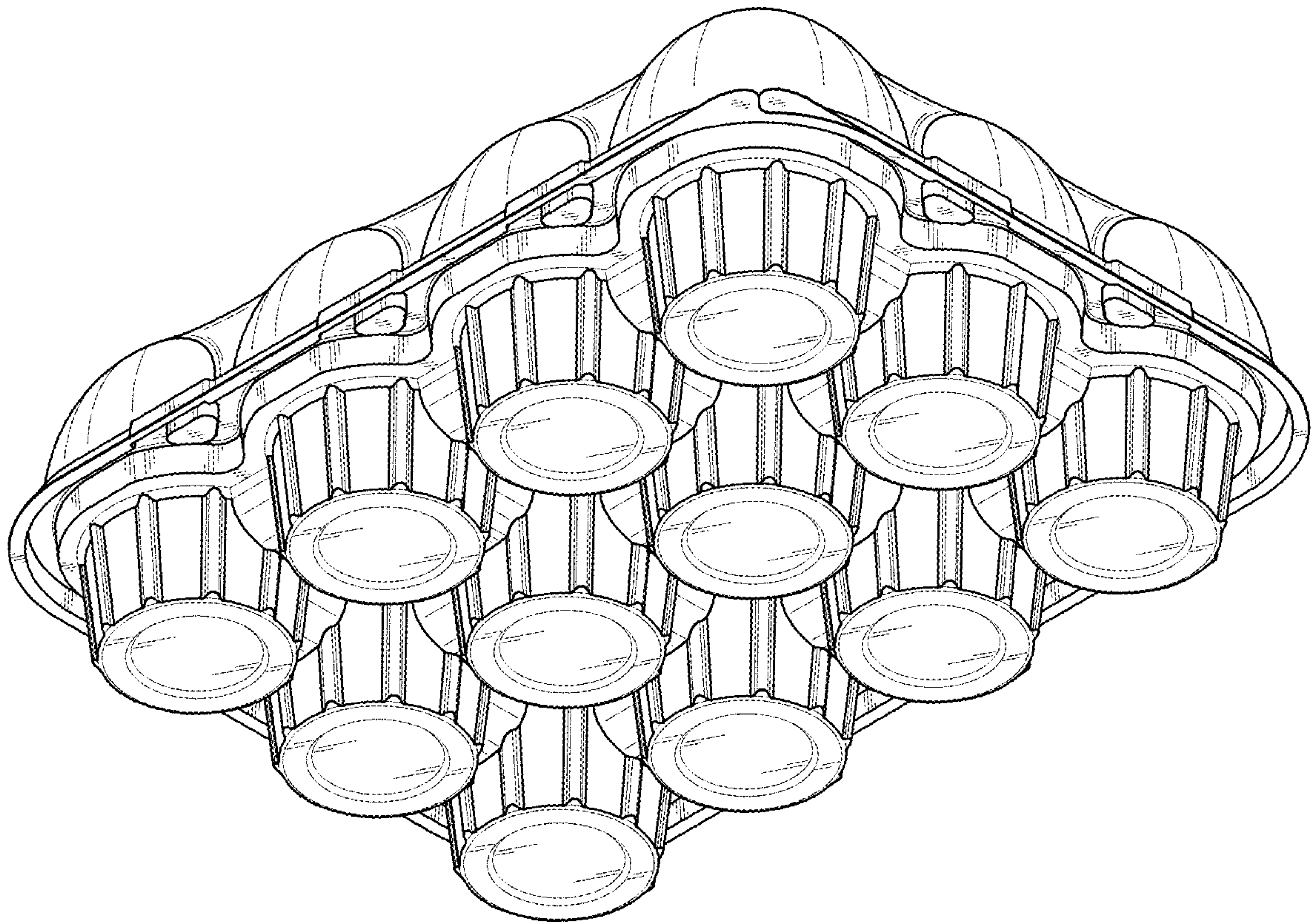


FIG.6

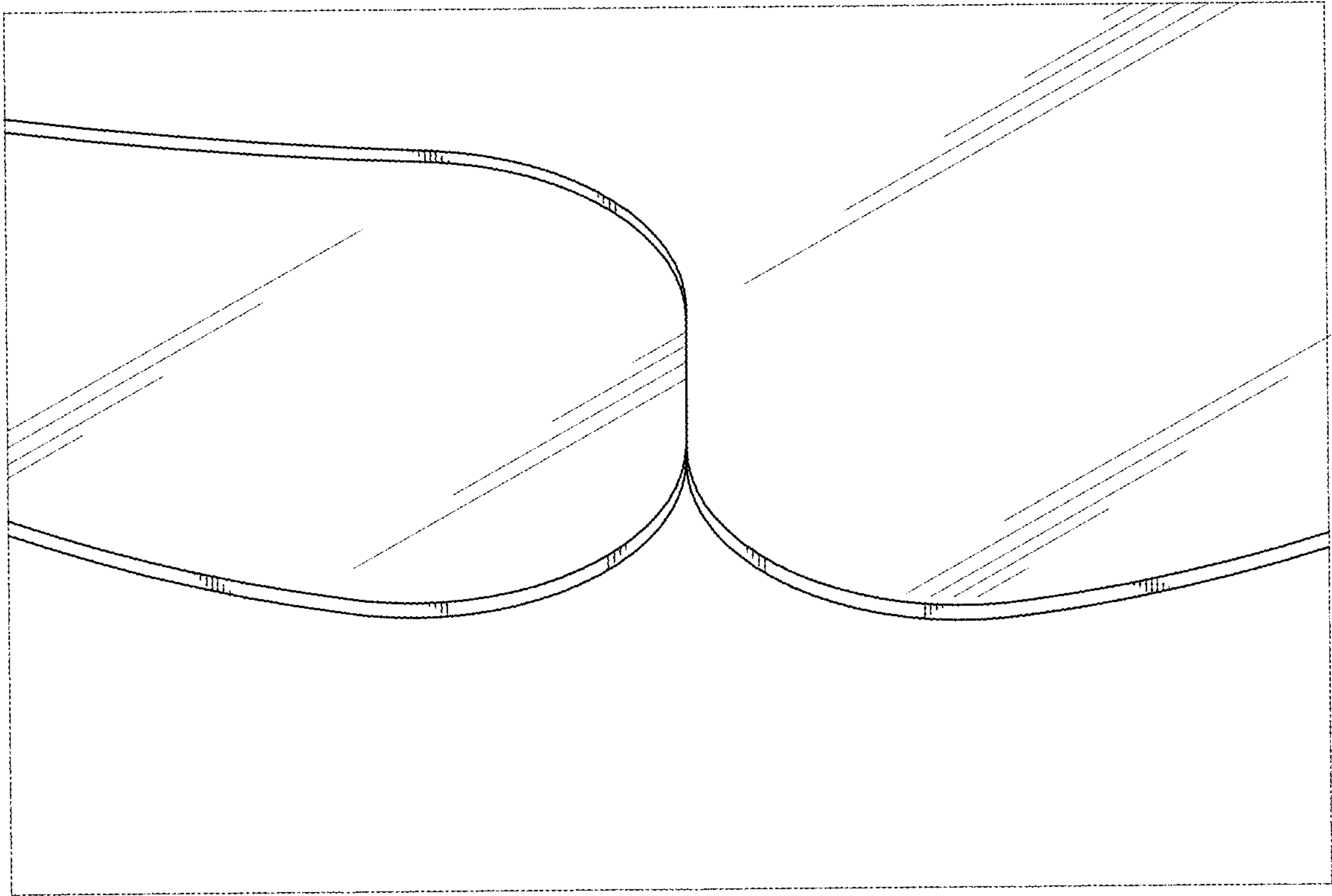


FIG.7