



US00D891940S

(12) **United States Design Patent** (10) **Patent No.:** **US D891,940 S**
Szymanski et al. (45) **Date of Patent:** **** Aug. 4, 2020**

(54) **BLADE DISPENSER**
(71) Applicant: **Church & Dwight Co., Inc.**, Ewing, NJ (US)
(72) Inventors: **Aaron Szymanski**, Thomaston, CT (US); **Eric Langberg**, Milford, PA (US)
(73) Assignee: **Church & Dwight Co., Inc.**, Ewing, NJ (US)

5,292,010 A * 3/1994 Pickles A47F 7/0028
211/40
D675,380 S * 1/2013 Yoon D28/54
8,511,468 B2 * 8/2013 Reeves A61B 50/20
206/370
8,584,848 B1 * 11/2013 Lee A45D 27/225
206/353
D709,544 S * 7/2014 Isogawa D16/239
(Continued)

(**) Term: **15 Years**

EM 007448980-0001 * 12/2019
EM 007451182-0001 * 12/2019

(21) Appl. No.: **29/651,923**

OTHER PUBLICATIONS

(22) Filed: **Jun. 29, 2019**

Finishing Touch Flawless Dermaplane Glo, available Aug. 9, 2019, [online], [site visited Feb. 17, 2020]. Available from internet, URL: https://www.amazon.com/Finishing-Flawless-Dermaplane-Lighted-Dermaplaning/dp/B07T89L4M5/ref=cm_cr_arp_d_product_top?ie=UTF8 (Year: 2019).*

(51) **LOC (12) Cl.** **09-03**

(52) **U.S. Cl.**
USPC **D9/749; D9/736; D28/73**

(58) **Field of Classification Search**
USPC D9/735, 737, 748, 749, 424, 432; D6/512, 526; D3/201, 205; 206/208, 206/228, 352, 354, 359, 360, 557, 558, 206/561, 564; 220/553, 555, 675; 30/38, 30/40, 536-538; D28/73
CPC .. B65D 73/0092; B65D 75/36; B65D 75/322; B65D 75/327; B65D 75/366; B65D 75/367; B65D 83/10; A45D 27/225; B26B 21/4012; B26B 21/4037; B26B 21/165; B26B 21/521; B26B 21/54; B29L 2031/7186; A61B 50/20; A61B 17/3211; A61B 17/3215; A61B 17/3217; A47F 7/0028

See application file for complete search history.

Primary Examiner — W. A. Teddy Falloway
(74) *Attorney, Agent, or Firm* — Womble Bond Dickinson (US) LLP

(57) **CLAIM**

The ornamental design for a blade dispenser, as shown and described.

DESCRIPTION

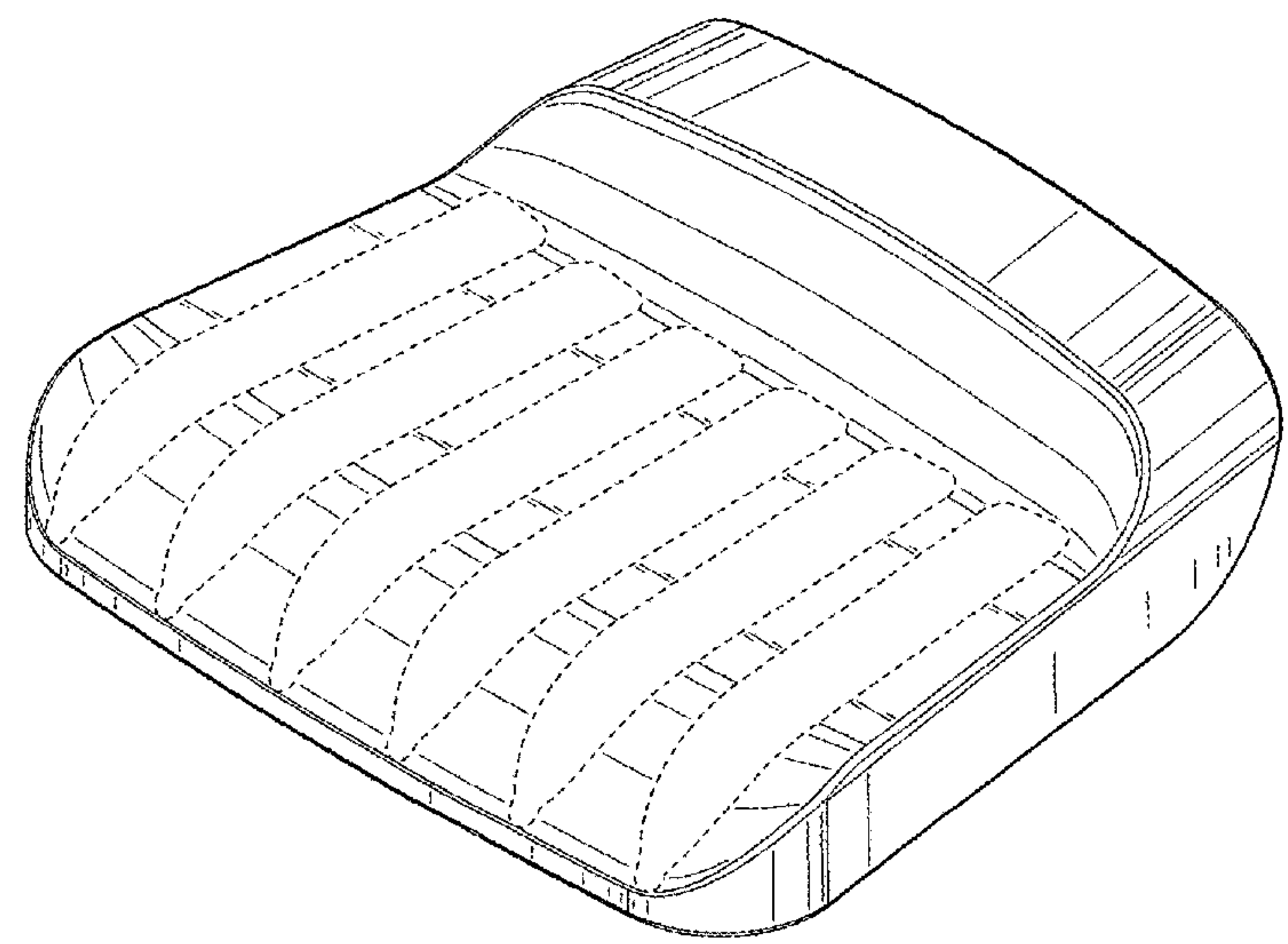
FIG. 1 is a front perspective view of a blade dispenser of the present invention showing my new design; FIG. 2 is a front side elevation view thereof; FIG. 3 is back side elevation view thereof; FIG. 4 is a side elevation view thereof; FIG. 5 is another side elevation view thereof; FIG. 6 is a top plan view thereof; and, FIG. 7 is a bottom plan view thereof. The broken lines illustrate portions of the blade dispenser that form no part of the claimed design.

(56) **References Cited**

U.S. PATENT DOCUMENTS

5,046,624 A * 9/1991 Murphy A47F 7/0028
206/370
5,097,963 A * 3/1992 Chernosky A61B 50/22
206/366

1 Claim, 7 Drawing Sheets



(56)

References Cited

U.S. PATENT DOCUMENTS

D722,201 S * 2/2015 Boulanger D28/54
D728,880 S * 5/2015 Mishan D32/35
D744,744 S * 12/2015 Lee D3/205
D823,593 S * 7/2018 Giannopoulos D3/203.1
D837,068 S * 1/2019 Levy D9/736
D874,062 S * 1/2020 McGarry D28/47
2005/0040066 A1* 2/2005 Pulsifer A61B 50/22
206/438
2013/0108523 A1* 5/2013 Tawfik G01N 1/36
422/552
2017/0360523 A1* 12/2017 Khajavi A61B 50/3001
2019/0059614 A1* 2/2019 Wu A47F 7/0028

* cited by examiner

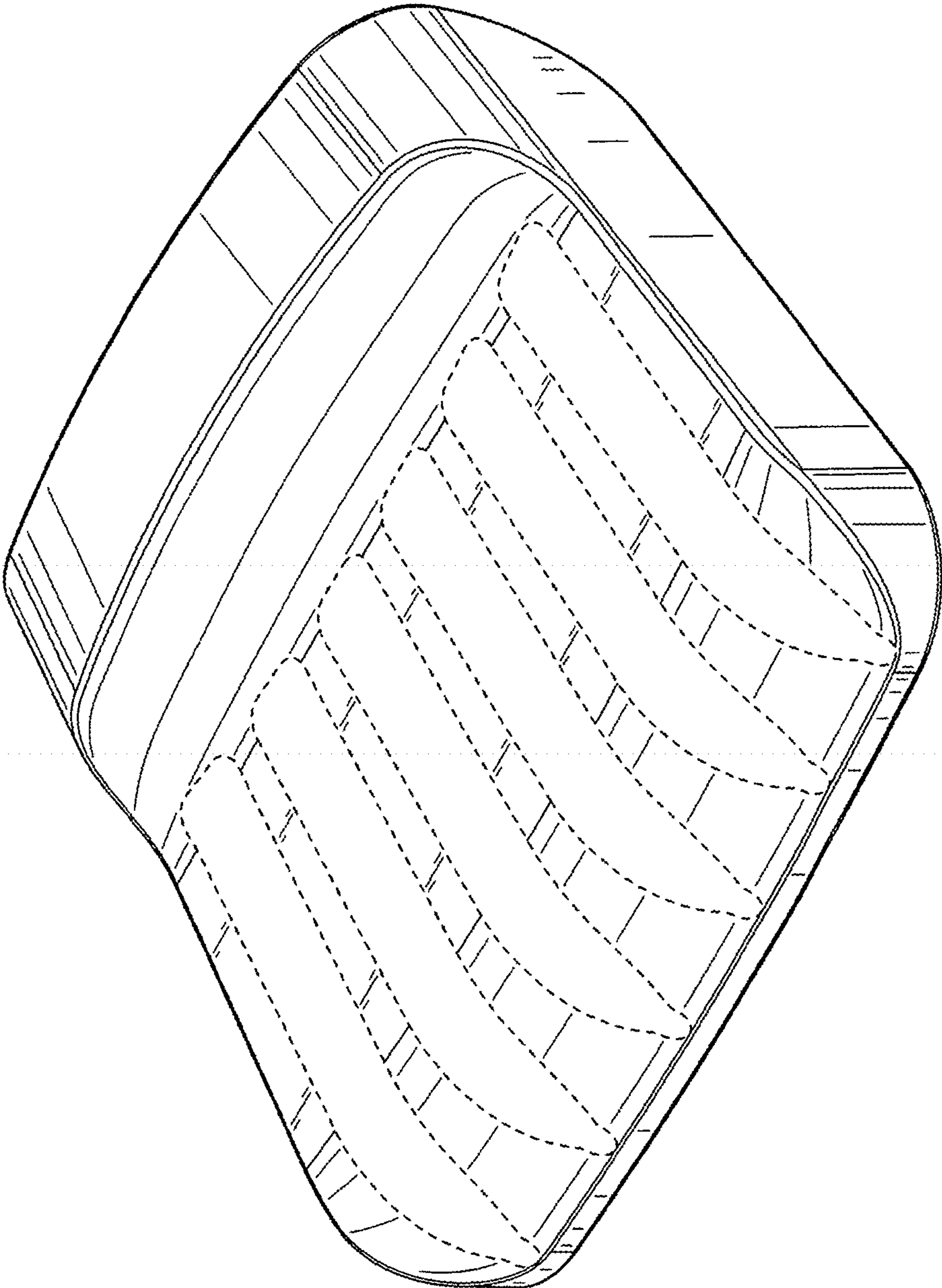


FIG. 1

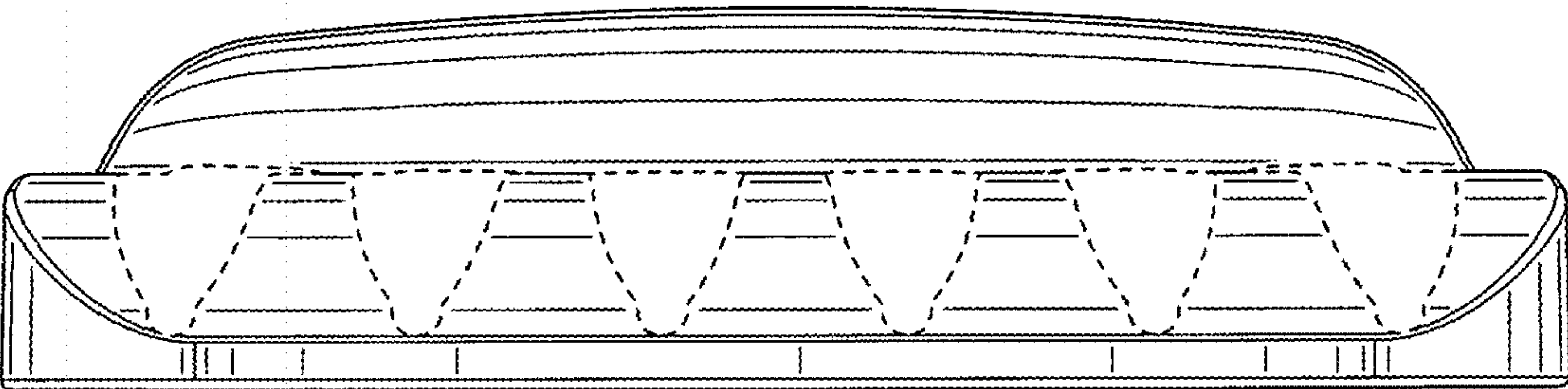


FIG. 2

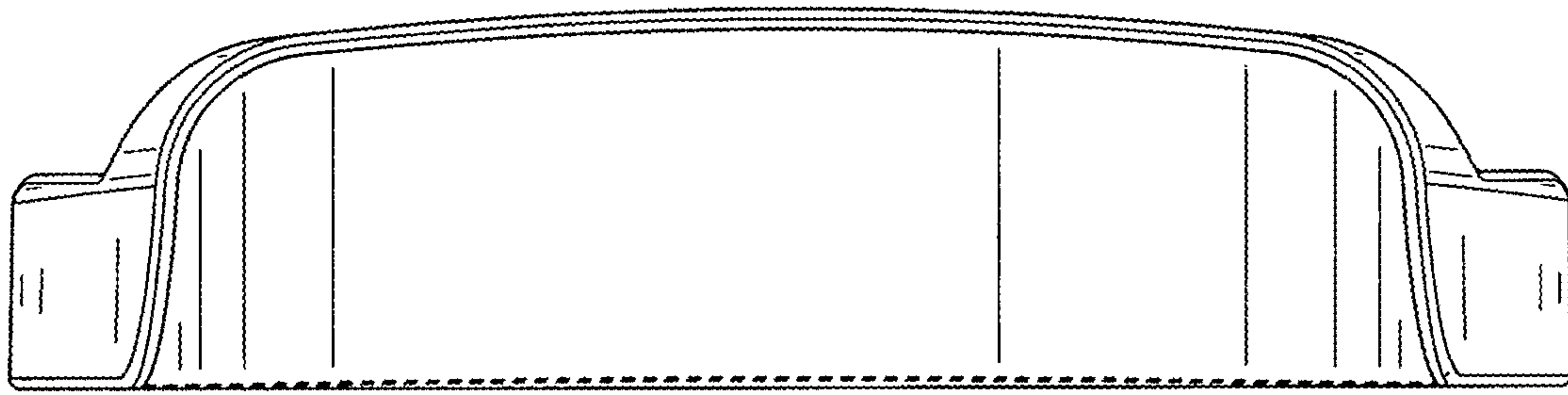


FIG. 3

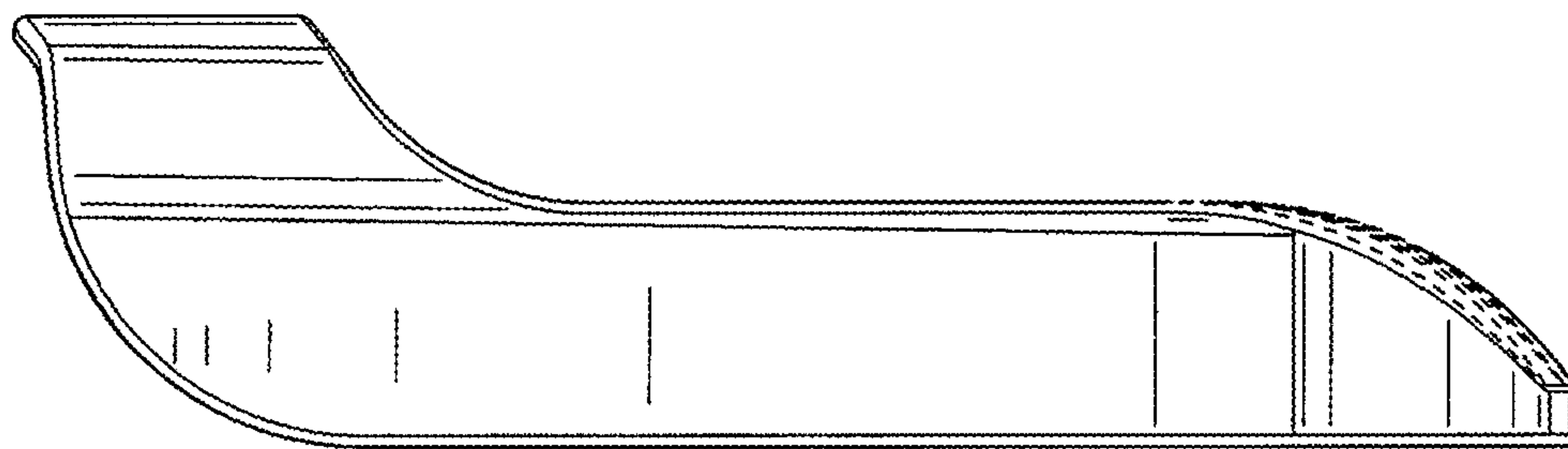


FIG. 4

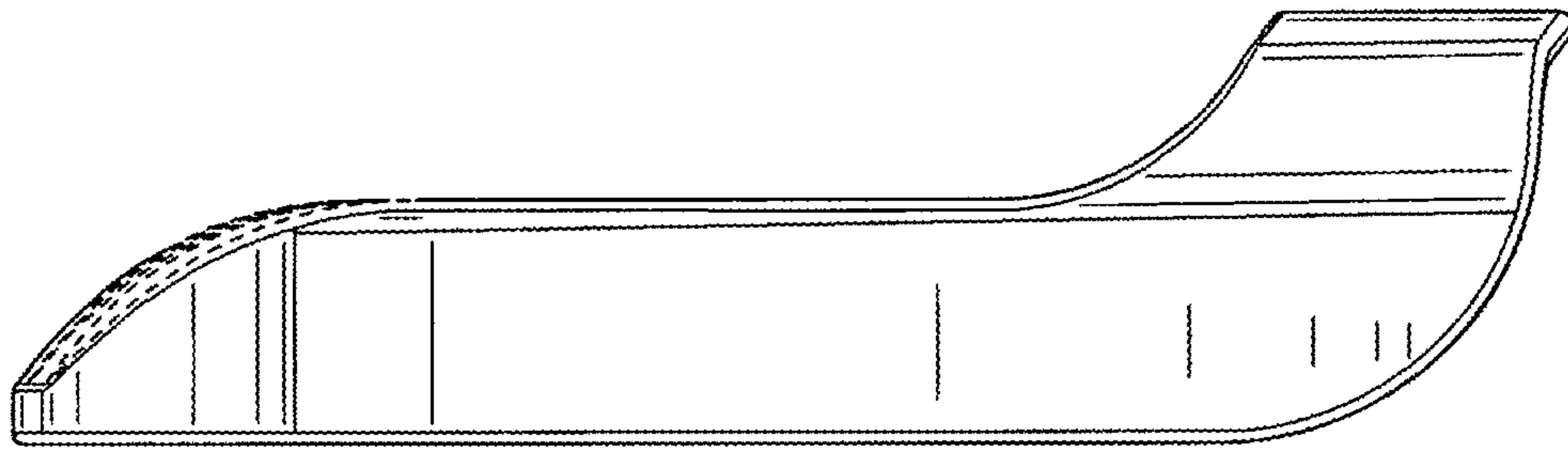


FIG. 5

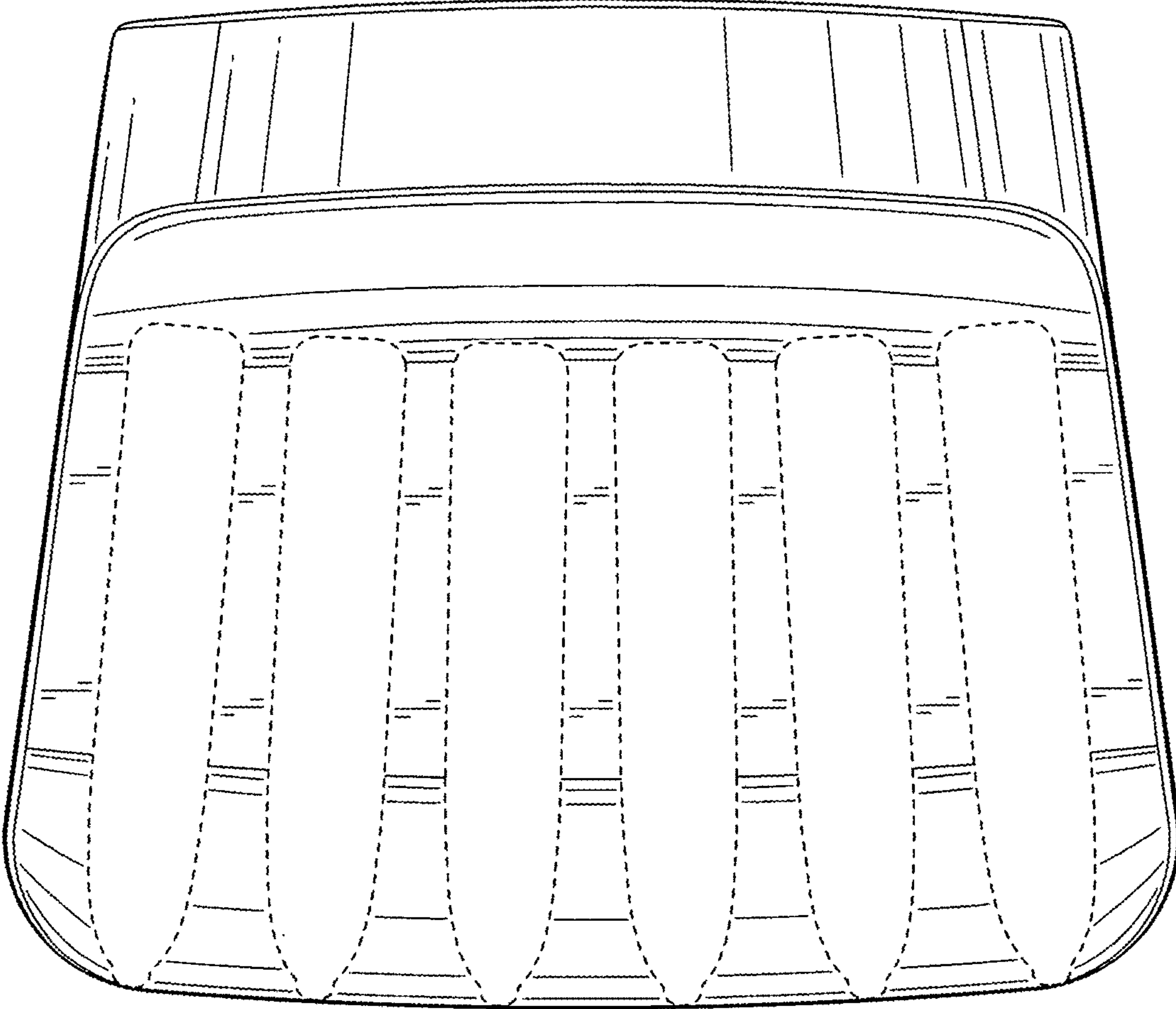


FIG. 6

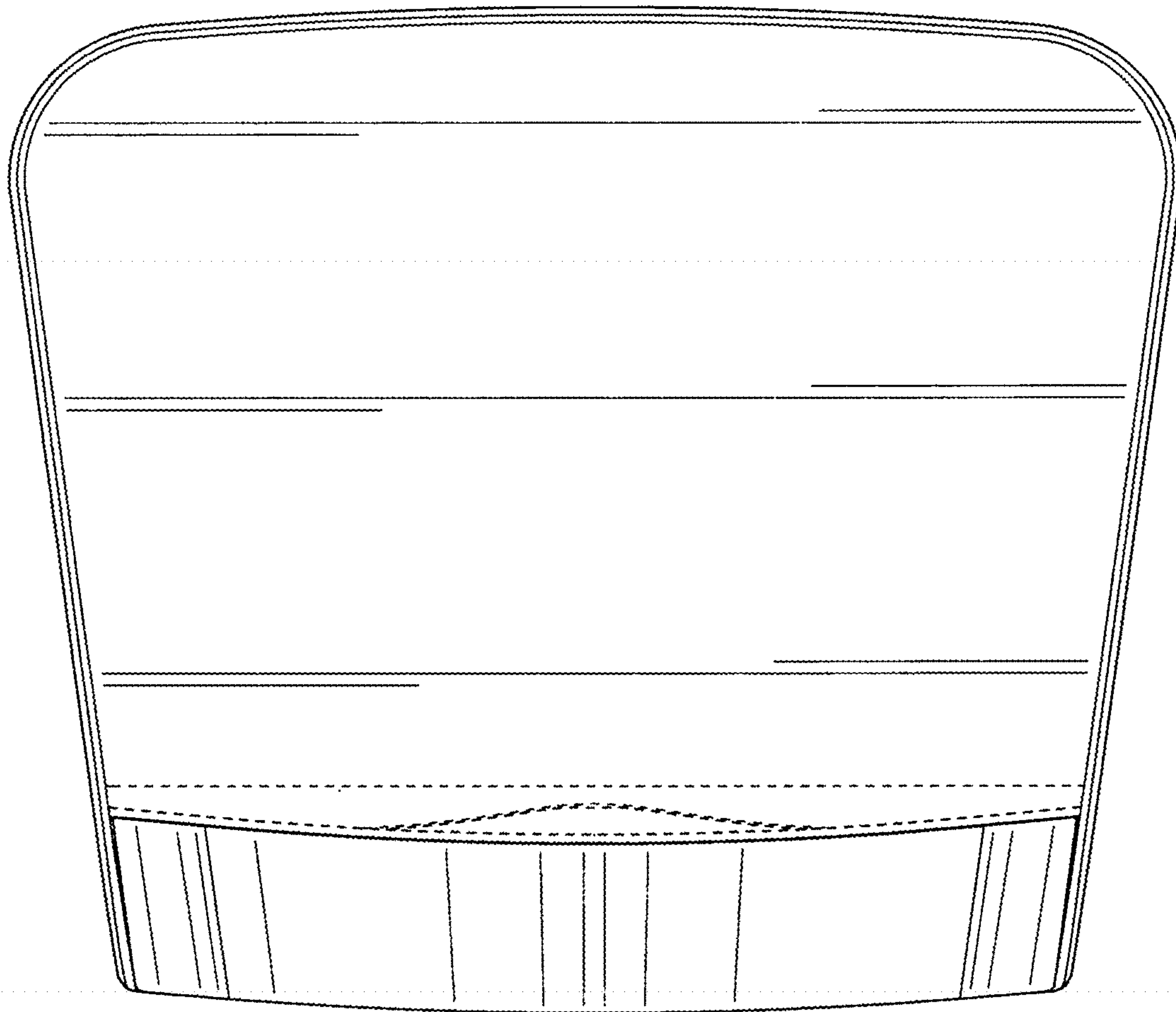


FIG. 7