



US00D891938S

(12) **United States Design Patent**
Weinrich

(10) **Patent No.:** **US D891,938 S**

(45) **Date of Patent:** **** Aug. 4, 2020**

(54) **COSMETIC JAR AND CAP WITH APPLICATOR**

(71) Applicant: **ELC Management LLC**, Melville, NY (US)

(72) Inventor: **Allan Justin Weinrich**, Clyde Hill, WA (US)

(73) Assignee: **ELC Management LLC**, Melville, NY (US)

(**) Term: **15 Years**

(21) Appl. No.: **29/674,620**

(22) Filed: **Dec. 21, 2018**

(51) **LOC (12) Cl.** **09-01**

(52) **U.S. Cl.**
USPC **D9/723; D9/504; D9/428**

(58) **Field of Classification Search**
USPC **D9/414, 424, 428, 503, 504, 723; D28/82**

(Continued)

(56) **References Cited**

U.S. PATENT DOCUMENTS

D432,017 S * 10/2000 Alvarado D28/76
6,286,520 B1 * 9/2001 Lin A45D 33/00
132/293

(Continued)

FOREIGN PATENT DOCUMENTS

CN 301070739 12/2009
CN 301089159 12/2009

(Continued)

OTHER PUBLICATIONS

http://www.cosme-de.com/en/product/product_page.html?affsrc=bXN8f8BYQs&refCur=USD&pdid=10605&gclid=CNLwt_

ysuNICFUdYDQodluQOYg; cosme-de.com; Lancome Renegie French Lift TM Nigh Duo (Retightening Cream + Massage Disk); pp. 1-4; Mar. 2017.

Primary Examiner — Lauren R Calve

(74) *Attorney, Agent, or Firm* — Tiffany A. Johnson

(57) **CLAIM**

The ornamental design for a cosmetic jar and cap with applicator, as shown and described.

DESCRIPTION

FIG. 1 is a top perspective view of a cosmetic jar and cap with applicator showing the claimed design;

FIG. 2 is a bottom rear perspective view thereof;

FIG. 3 is a front view thereof;

FIG. 4 is a rear view thereof;

FIG. 5 is a left view thereof;

FIG. 6 is a right view thereof;

FIG. 7 is a top view thereof;

FIG. 8 is a bottom view thereof;

FIG. 9 is an exploded view of the cosmetic jar and cap with applicator, as shown in FIG. 1;

FIG. 10 is a top front perspective view of the cosmetic jar and cap with applicator, the jar and applicator removed for clarity of illustration;

FIG. 11 is a bottom rear perspective view thereof;

FIG. 12 is a front view thereof;

FIG. 13 is a rear view thereof;

FIG. 14 is a left view thereof;

FIG. 15 is a right view thereof;

FIG. 16 is a top view thereof;

FIG. 17 is a bottom view thereof;

FIG. 18 is a cross-sectional view thereof taken along line 18-18 in FIG. 12;

FIG. 19 is a front perspective view of the cosmetic jar and cap with applicator, the cap and applicator removed for clarity of illustration;

FIG. 20 is a bottom rear perspective view thereof;

FIG. 21 is a front view thereof;

FIG. 22 is a rear view thereof;

FIG. 23 is a left view thereof;

FIG. 24 is a right view thereof;

(Continued)

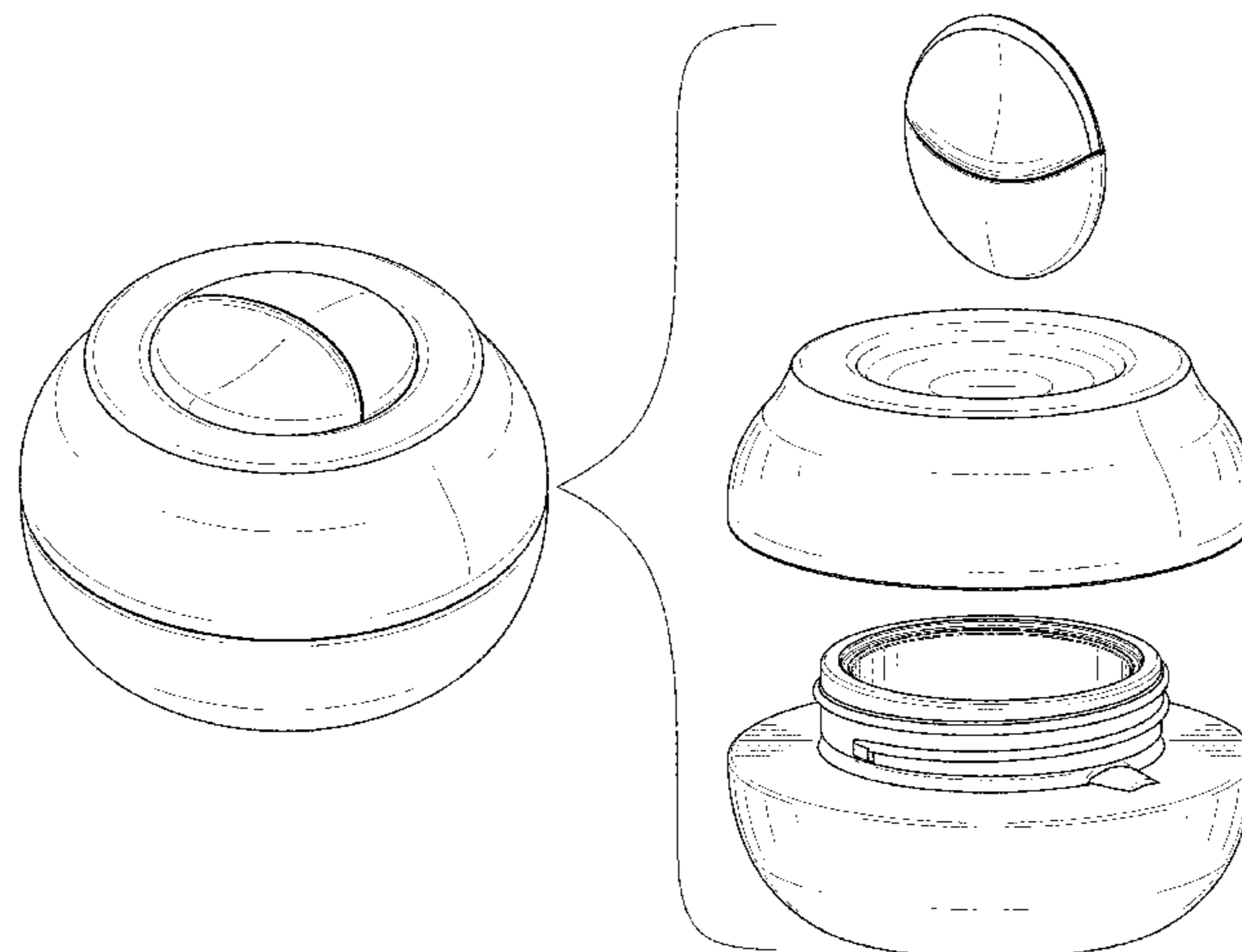


FIG. 25 is a top view thereof;
 FIG. 26 is a bottom view thereof;
 FIG. 27 is a cross-sectional view thereof taken along line 27-27 in FIG. 21;
 FIG. 28 is a top front perspective view of the cosmetic jar and cap with applicator, the jar and cap removed for clarity of illustration;
 FIG. 29 is a bottom rear perspective view thereof;
 FIG. 30 is a front view thereof;
 FIG. 31 is a rear view thereof;
 FIG. 32 is a left view thereof;
 FIG. 33 is a right view thereof;
 FIG. 34 is a top view thereof; and,
 FIG. 35 is a bottom view thereof.

1 Claim, 19 Drawing Sheets

(58) Field of Classification Search

CPC B65D 51/32; B65D 43/00; B65D 2543/00296; B65D 2543/00092; B65D 25/04; A45D 33/26; A45D 34/045; A45D 40/18; A45D 40/265; A45D 2200/1009; A45D 40/0068

See application file for complete search history.

(56) References Cited

U.S. PATENT DOCUMENTS

D480,000 S * 9/2003 Hirato D9/504
 D504,615 S 5/2005 Papiernik

D524,153 S * 7/2006 Reinhard D9/428
 D529,397 S * 10/2006 Lavigne D9/689
 D552,473 S * 10/2007 Simkin D9/516
 D584,950 S 1/2009 Courtaigne Delalande
 D587,108 S * 2/2009 Maslowski D9/416
 D645,751 S 9/2011 Back
 D664,853 S 8/2012 Kipry et al.
 8,651,119 B2 * 2/2014 Byun A45D 33/26
 132/294
 D707,561 S * 6/2014 You D9/454
 D817,174 S * 5/2018 Weinrich D9/503
 D824,765 S * 8/2018 Metais D9/504
 D842,110 S * 3/2019 Marina D9/504
 D843,204 S * 3/2019 Raphaelson D9/428
 D846,377 S * 4/2019 Delao D9/414
 2010/0307521 A1 * 12/2010 Pires A45D 33/006
 132/200
 2017/0265625 A1 * 9/2017 Thorpe A45D 33/26

FOREIGN PATENT DOCUMENTS

CN	302516294	7/2013
CN	303529117	12/2015
JP	D1429909	12/2011
KR	300484758.0000	3/2008
KR	300499412-0002	5/2009
KR	300530682-0000	6/2009
KR	300645267-0000	5/2012
KR	300704887-0000	8/2013
KR	300729185-0000	2/2014
KR	300879863-0000	11/2016
KR	300881193-0000	11/2016

* cited by examiner

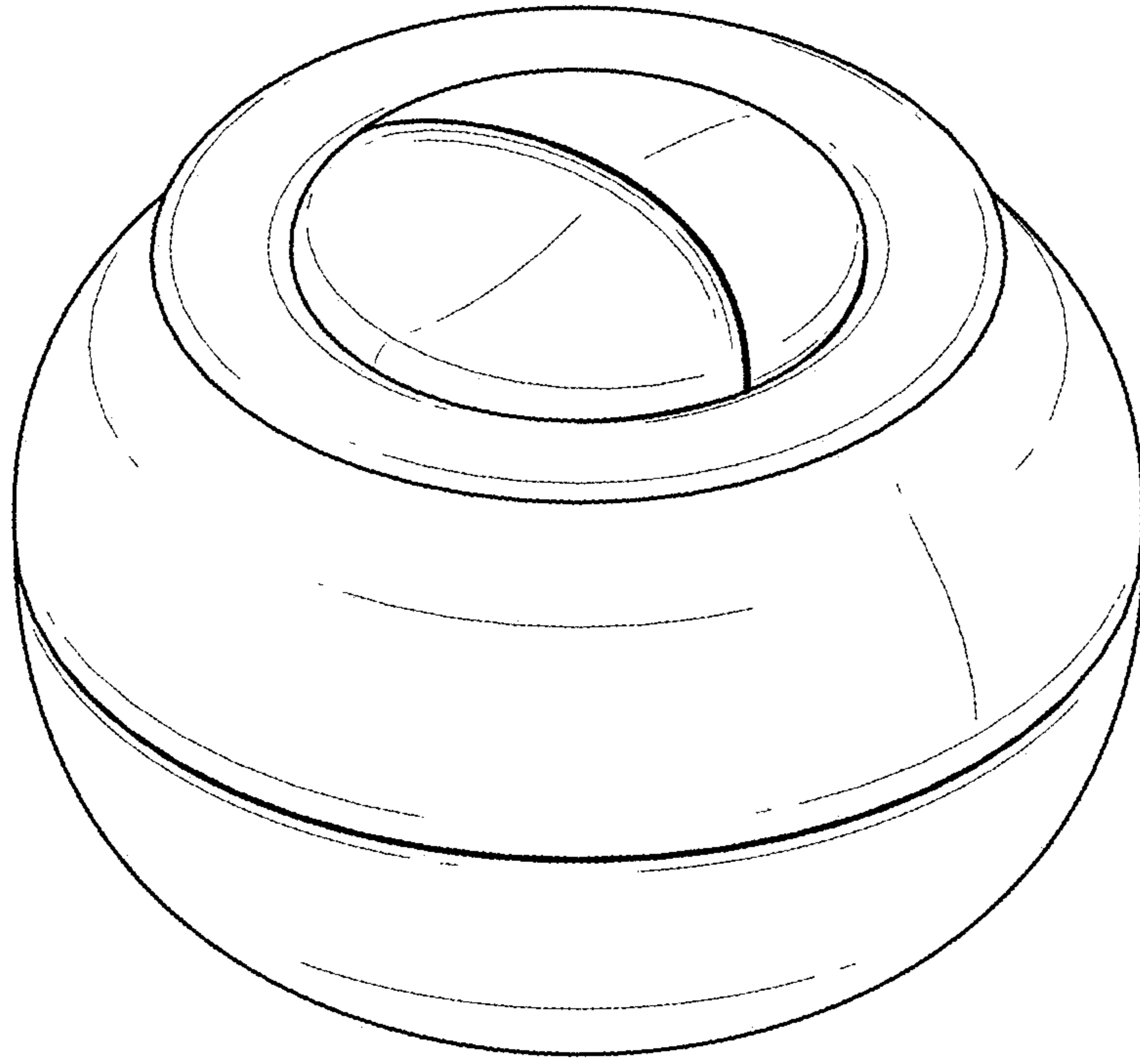


FIG. 1

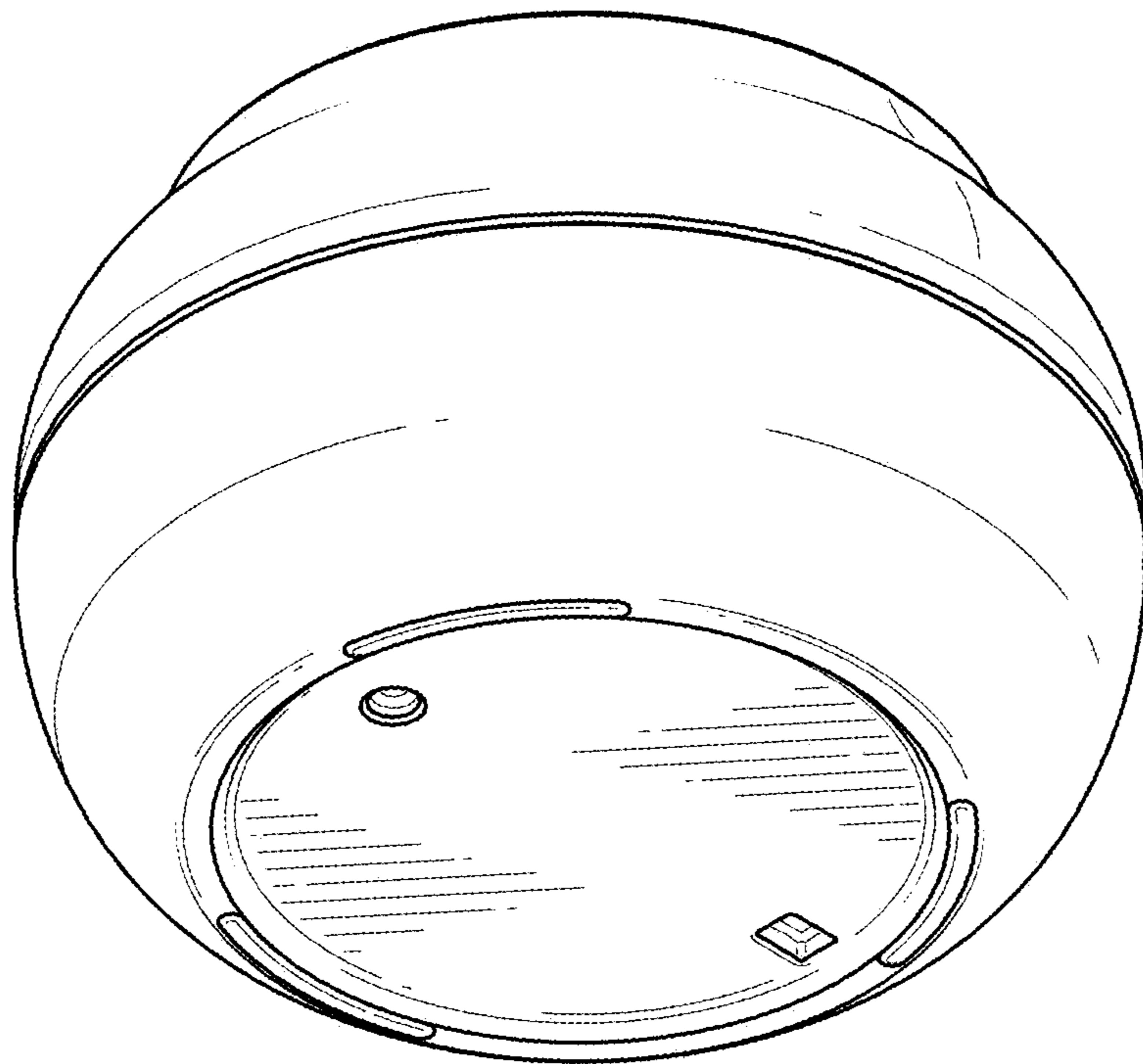


FIG. 2

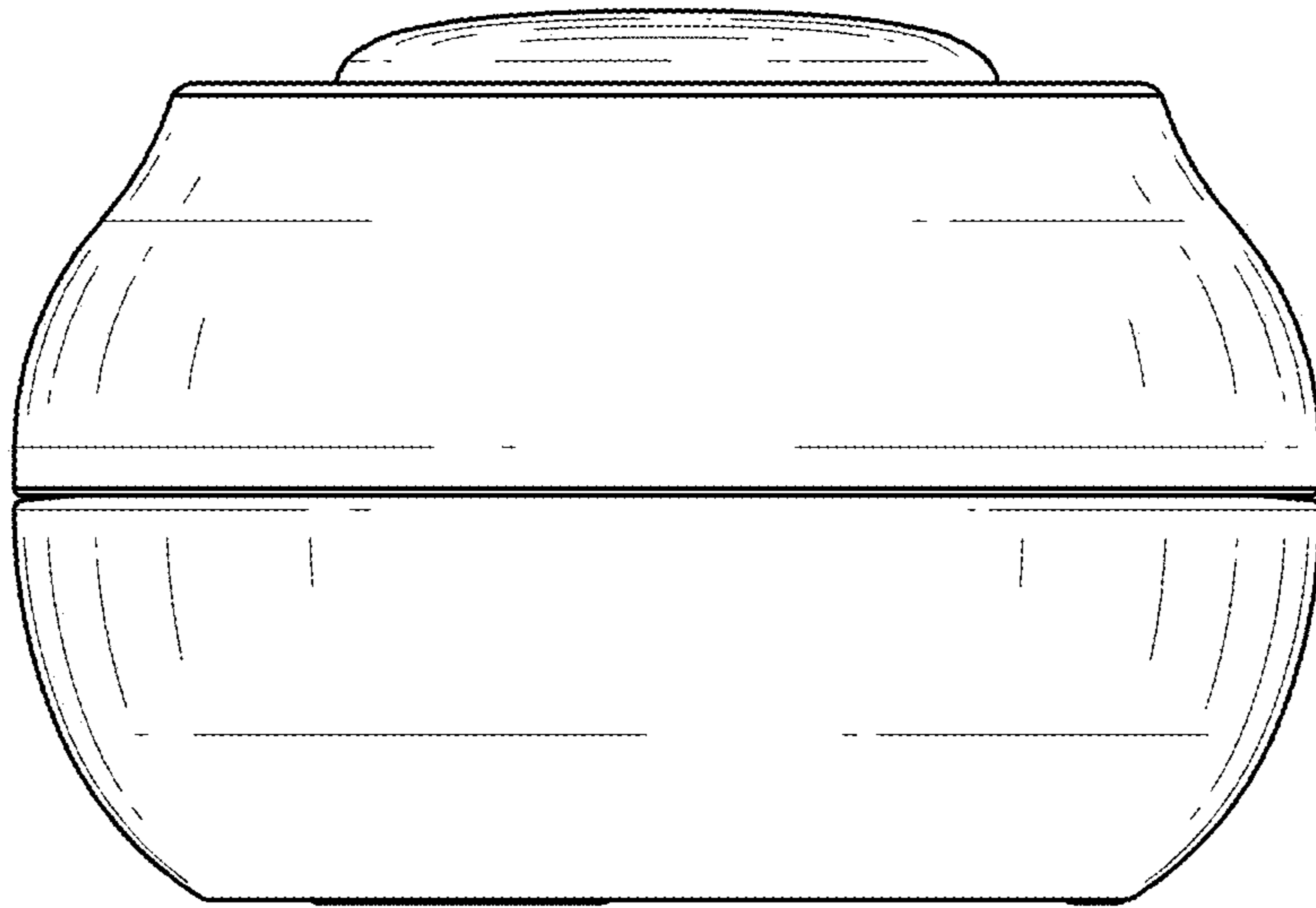


FIG. 3

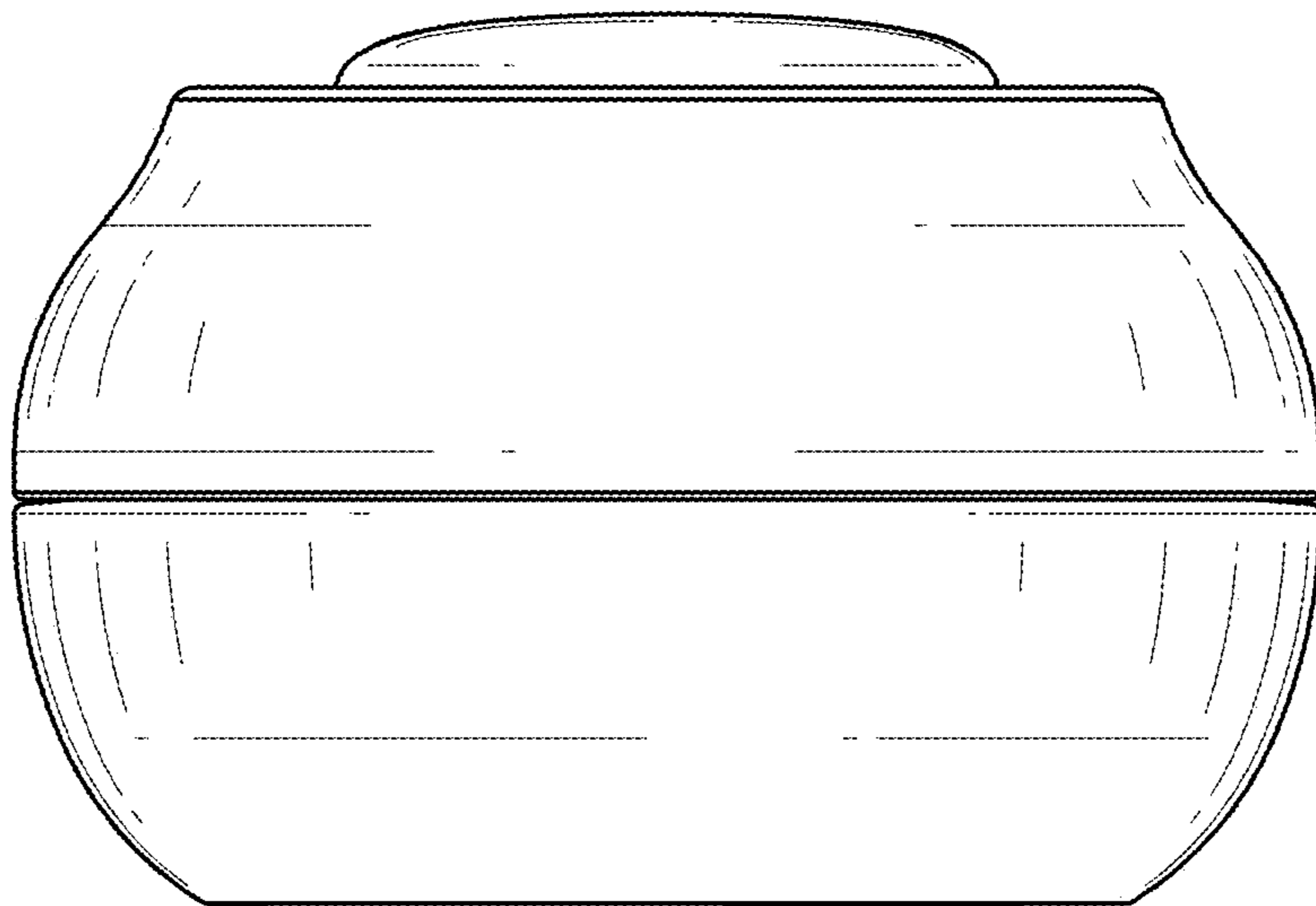


FIG. 4

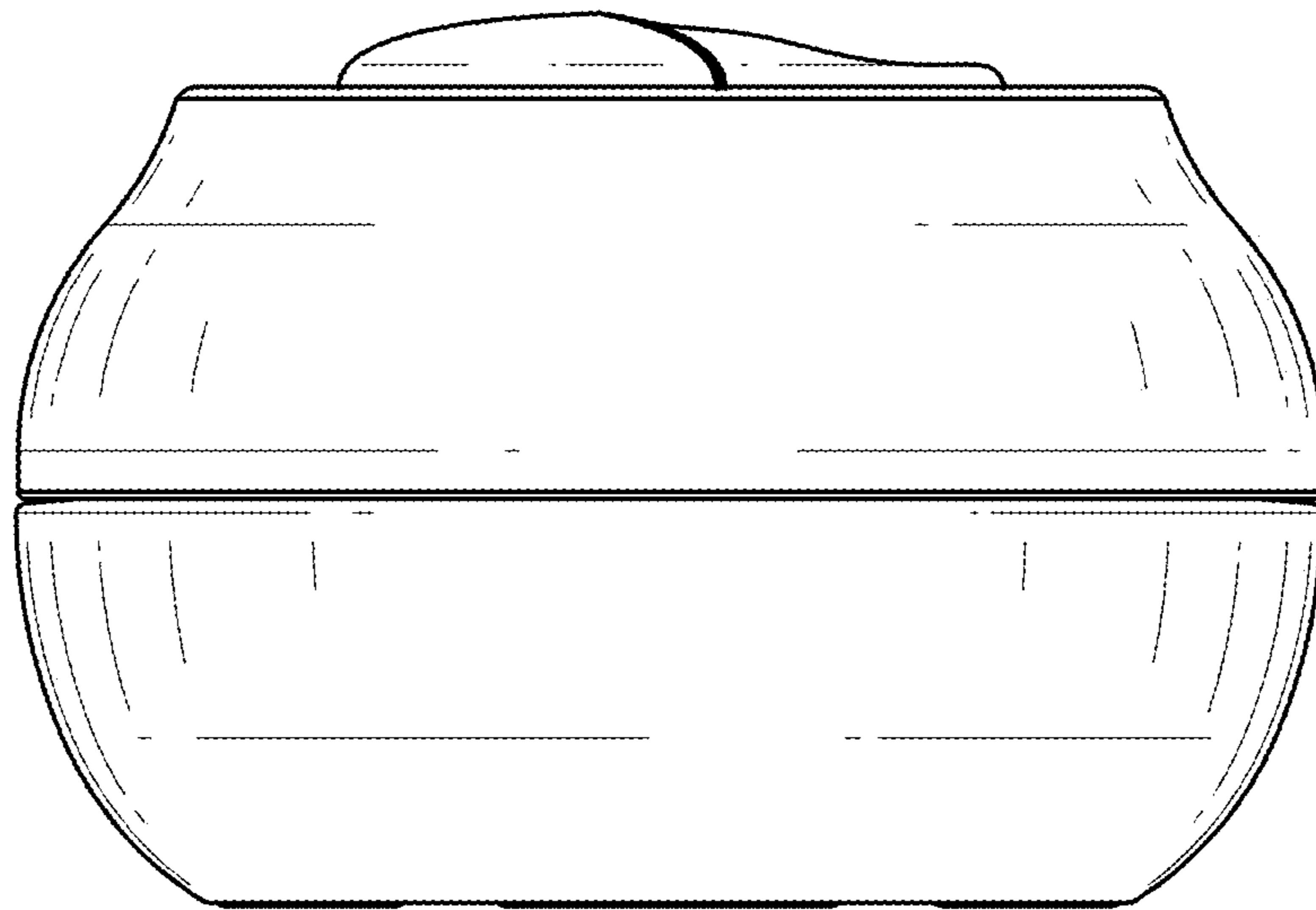


FIG. 5

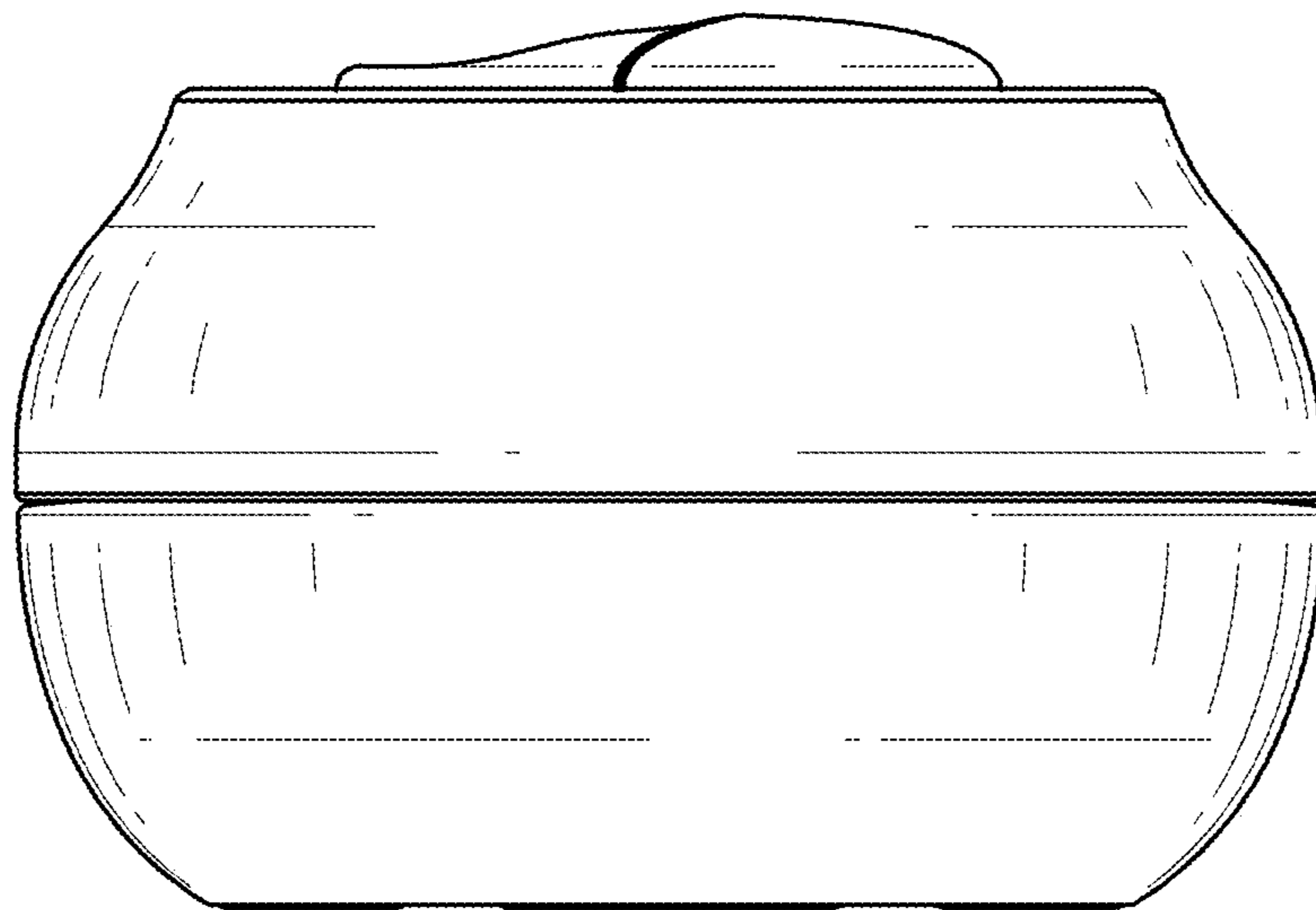


FIG. 6

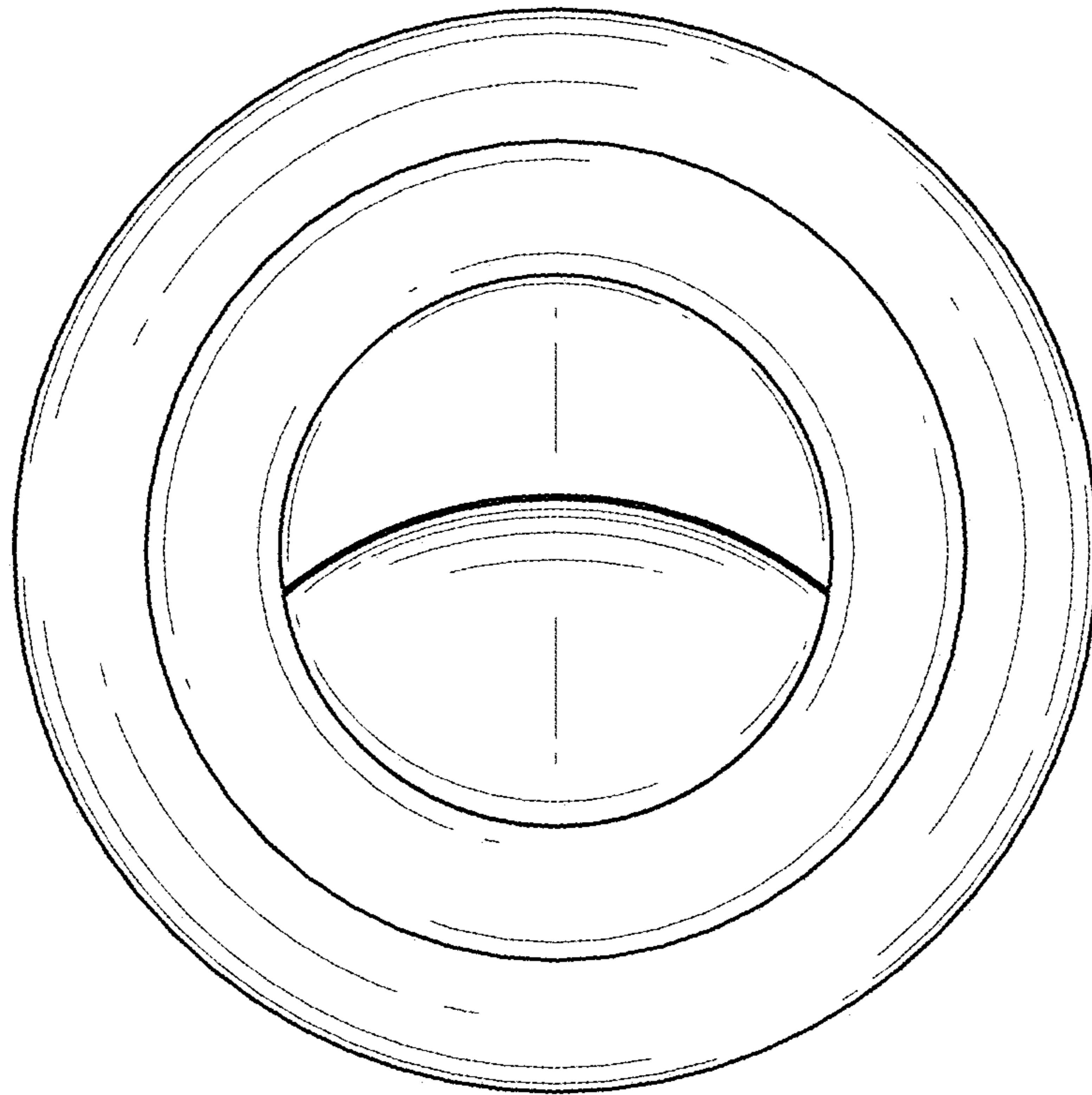


FIG. 7

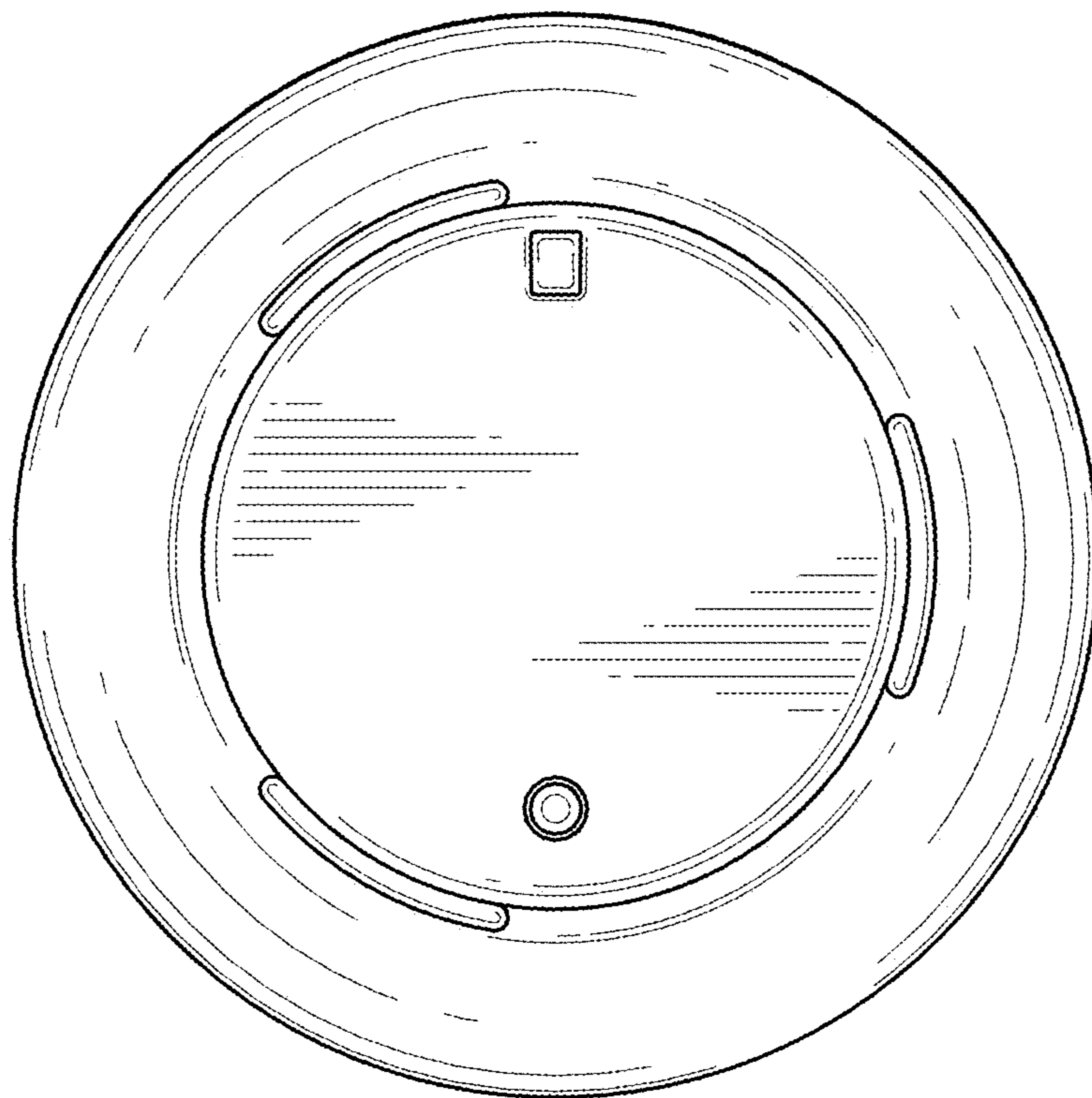


FIG. 8

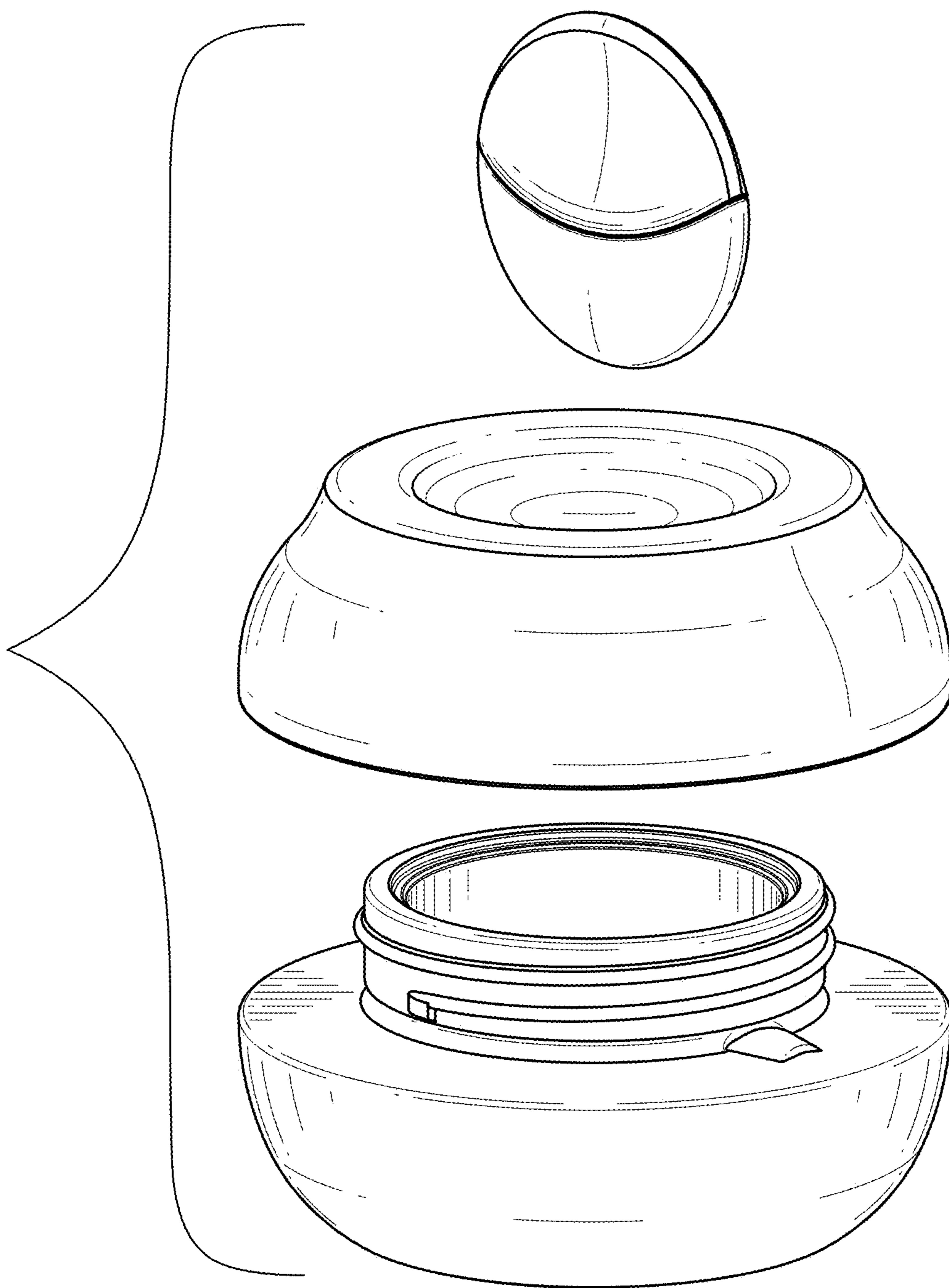


FIG. 9

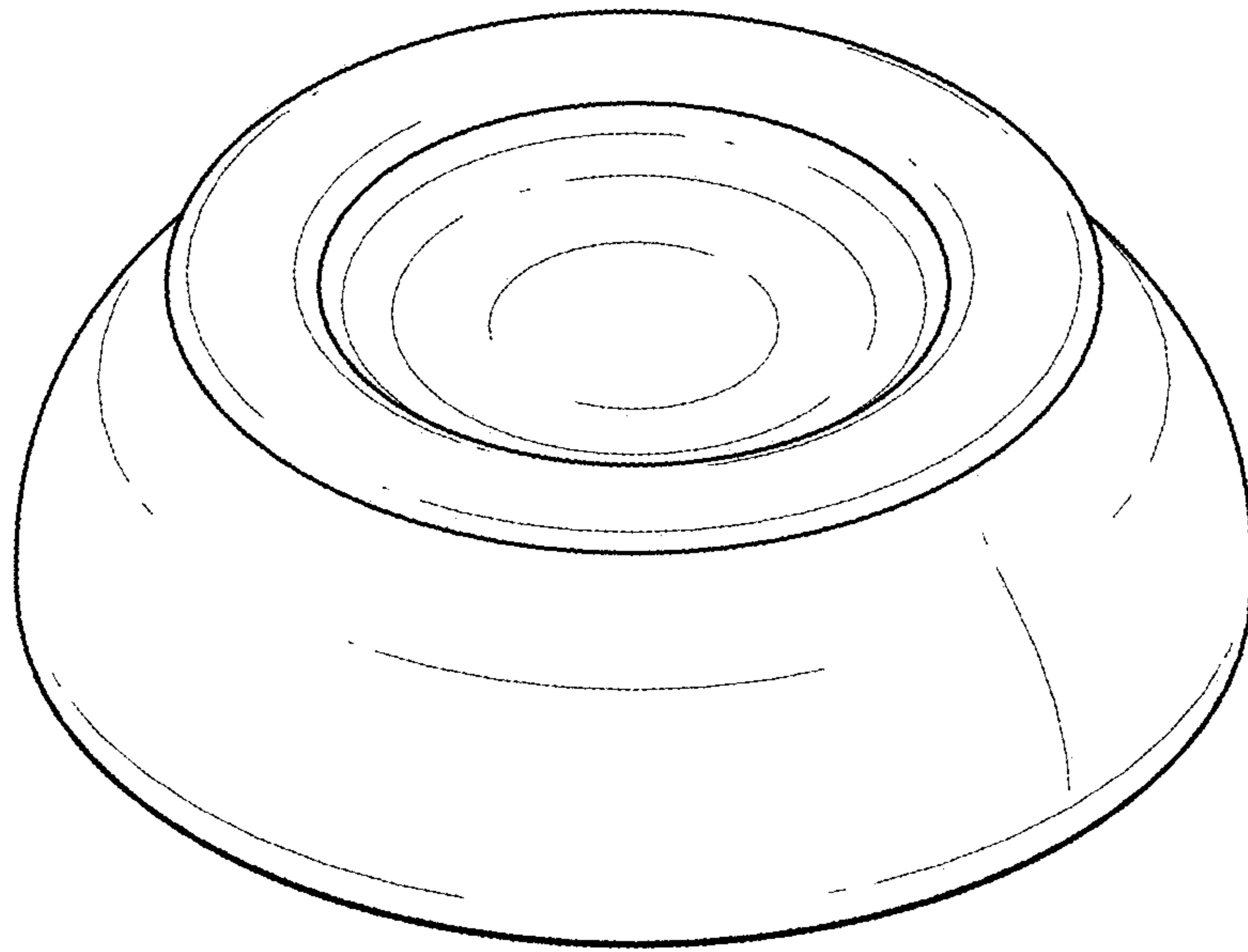


FIG. 10

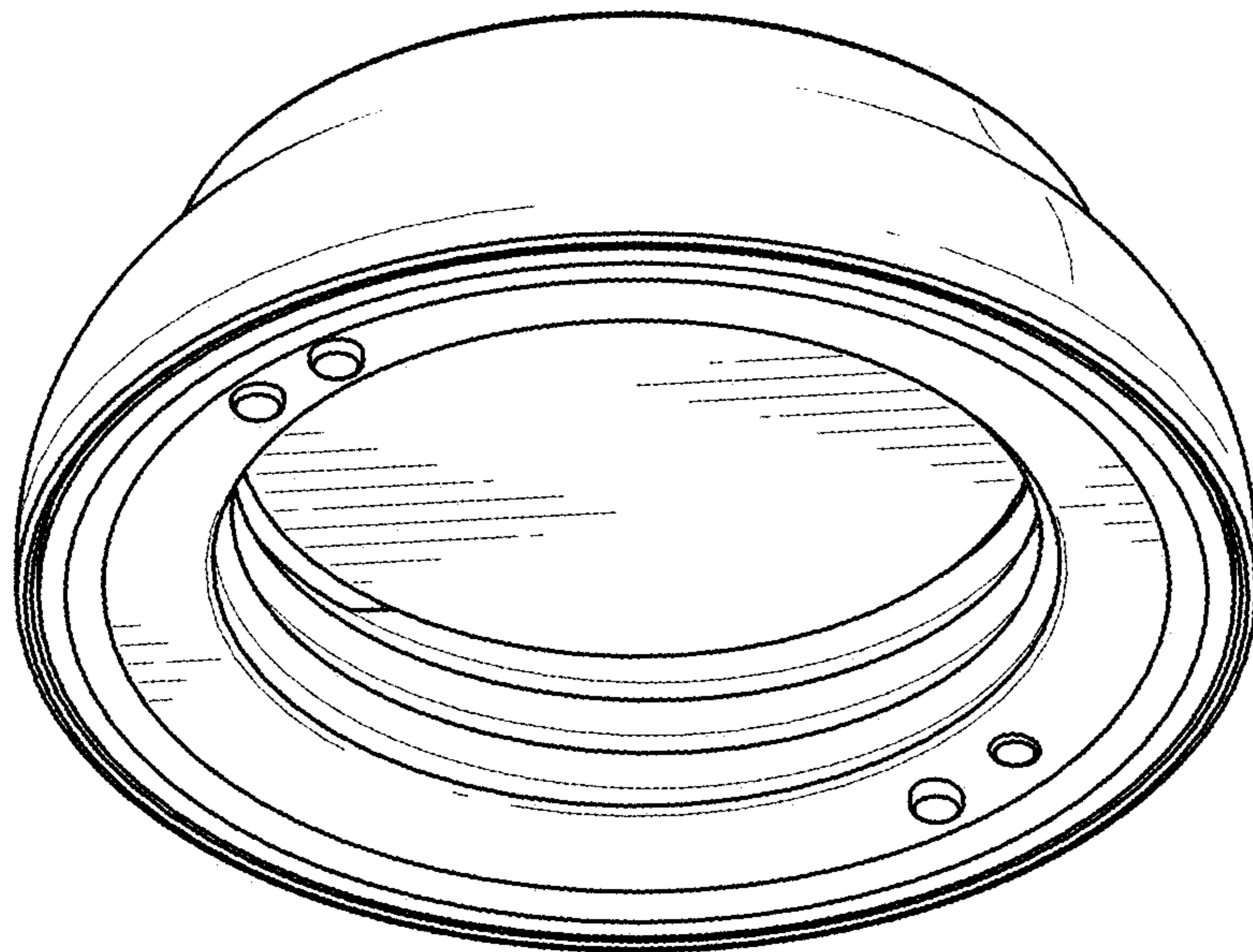


FIG. 11

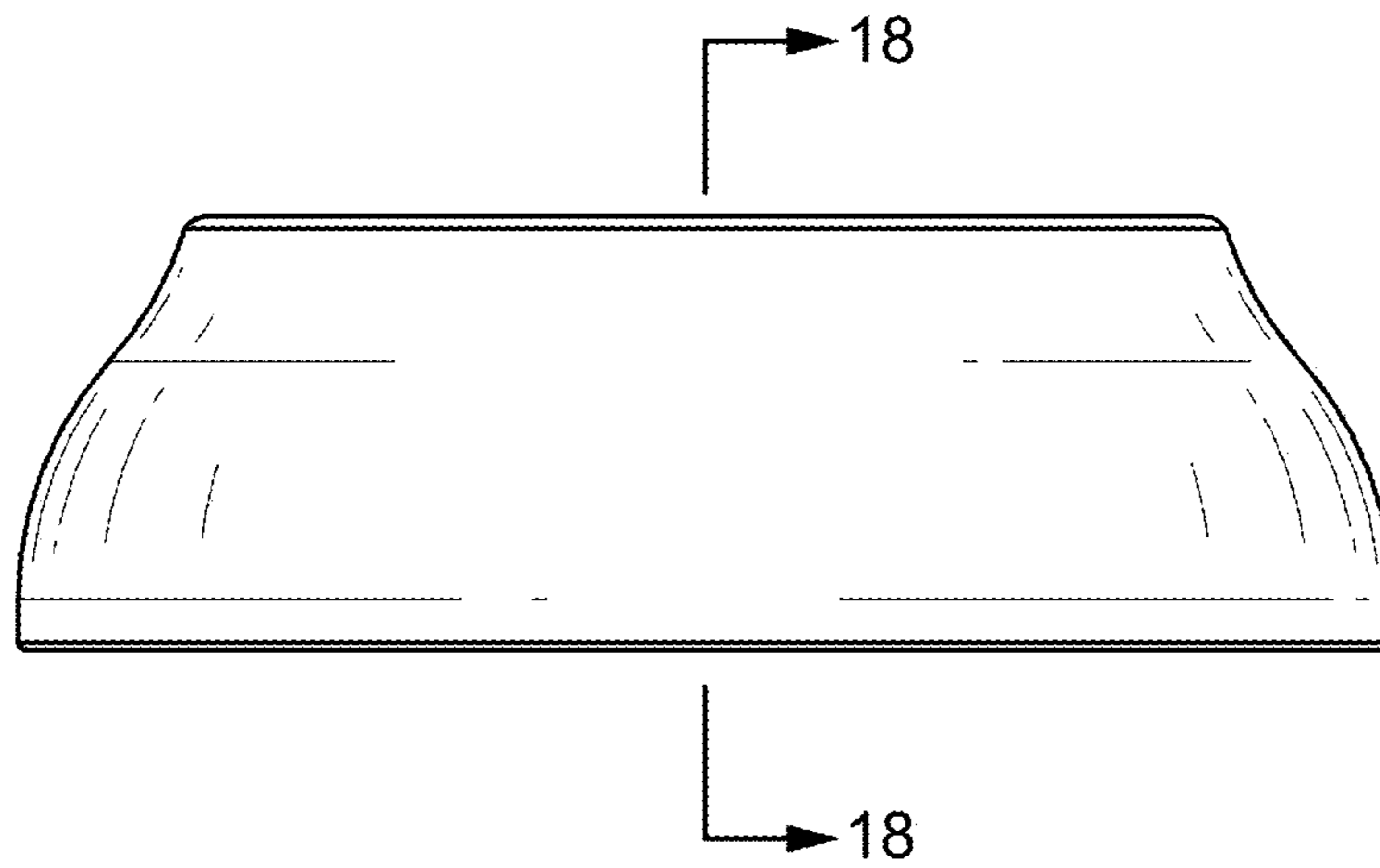


FIG. 12

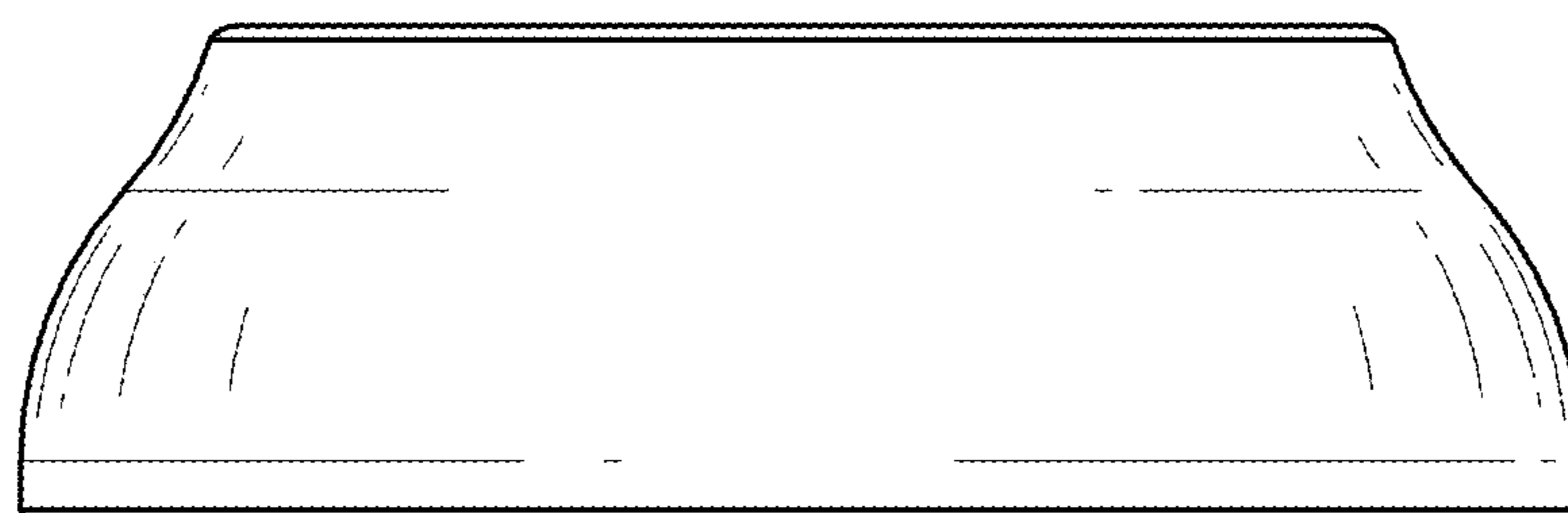


FIG. 13

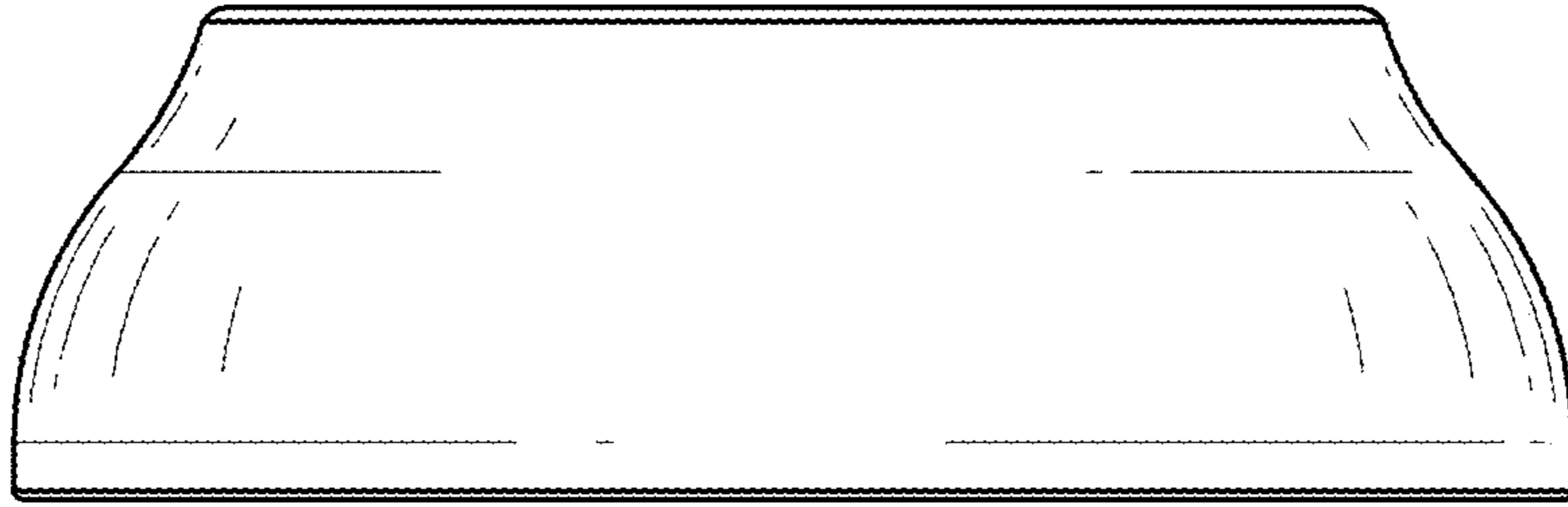


FIG. 14

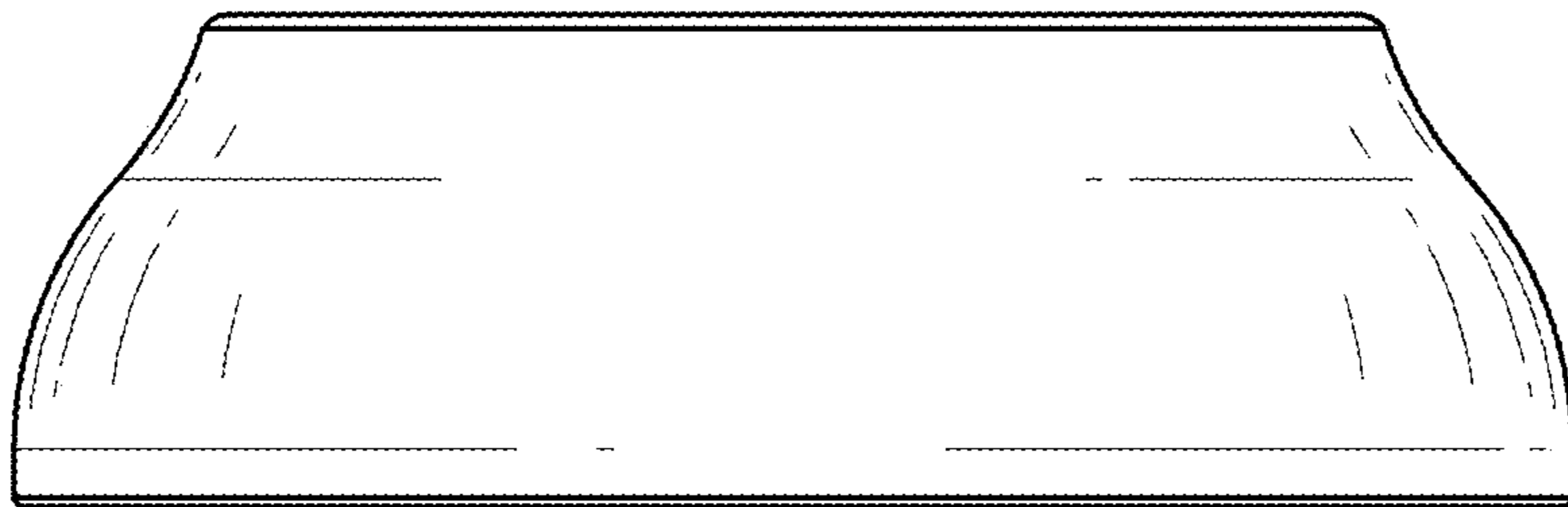


FIG. 15

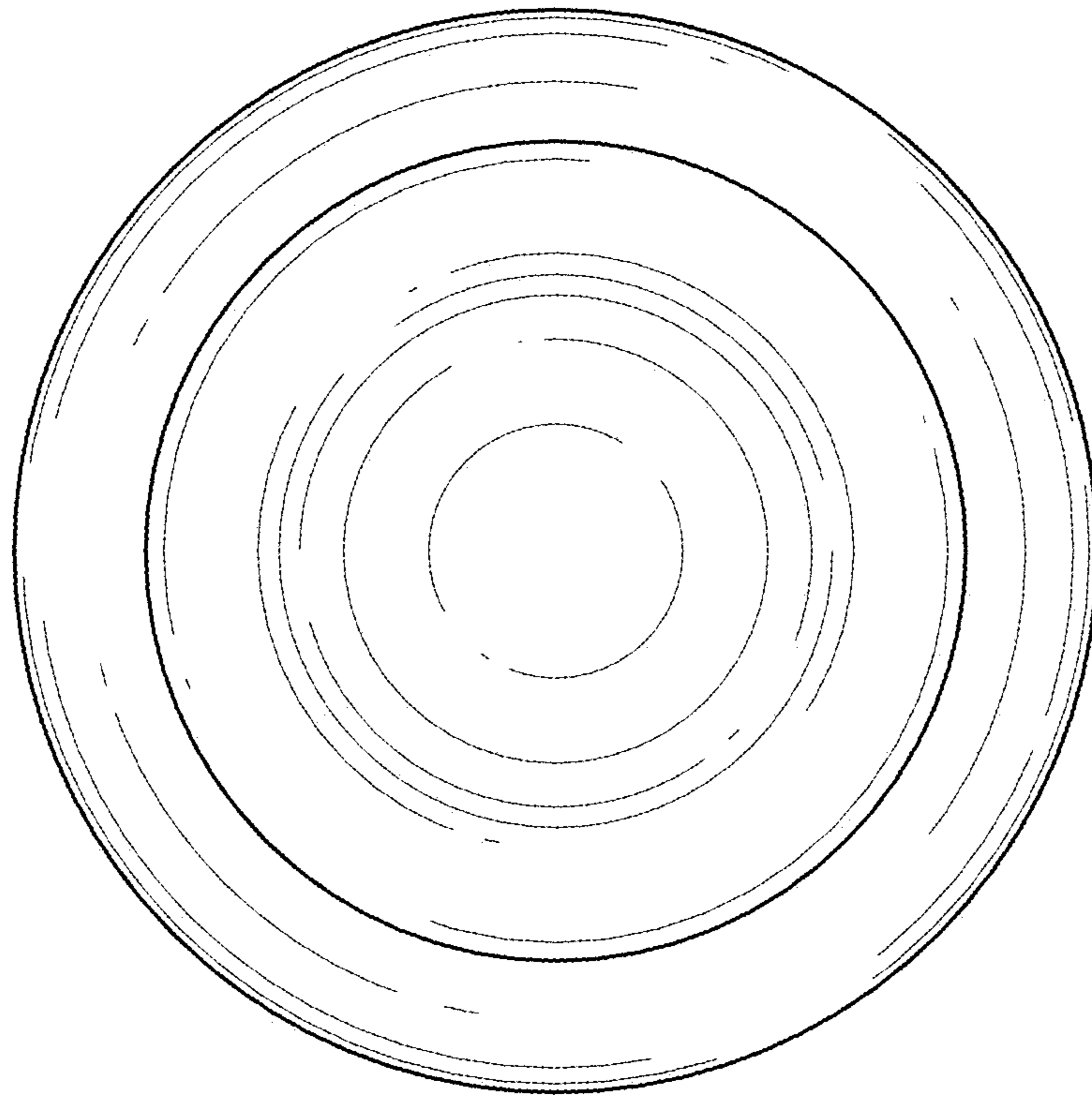


FIG. 16

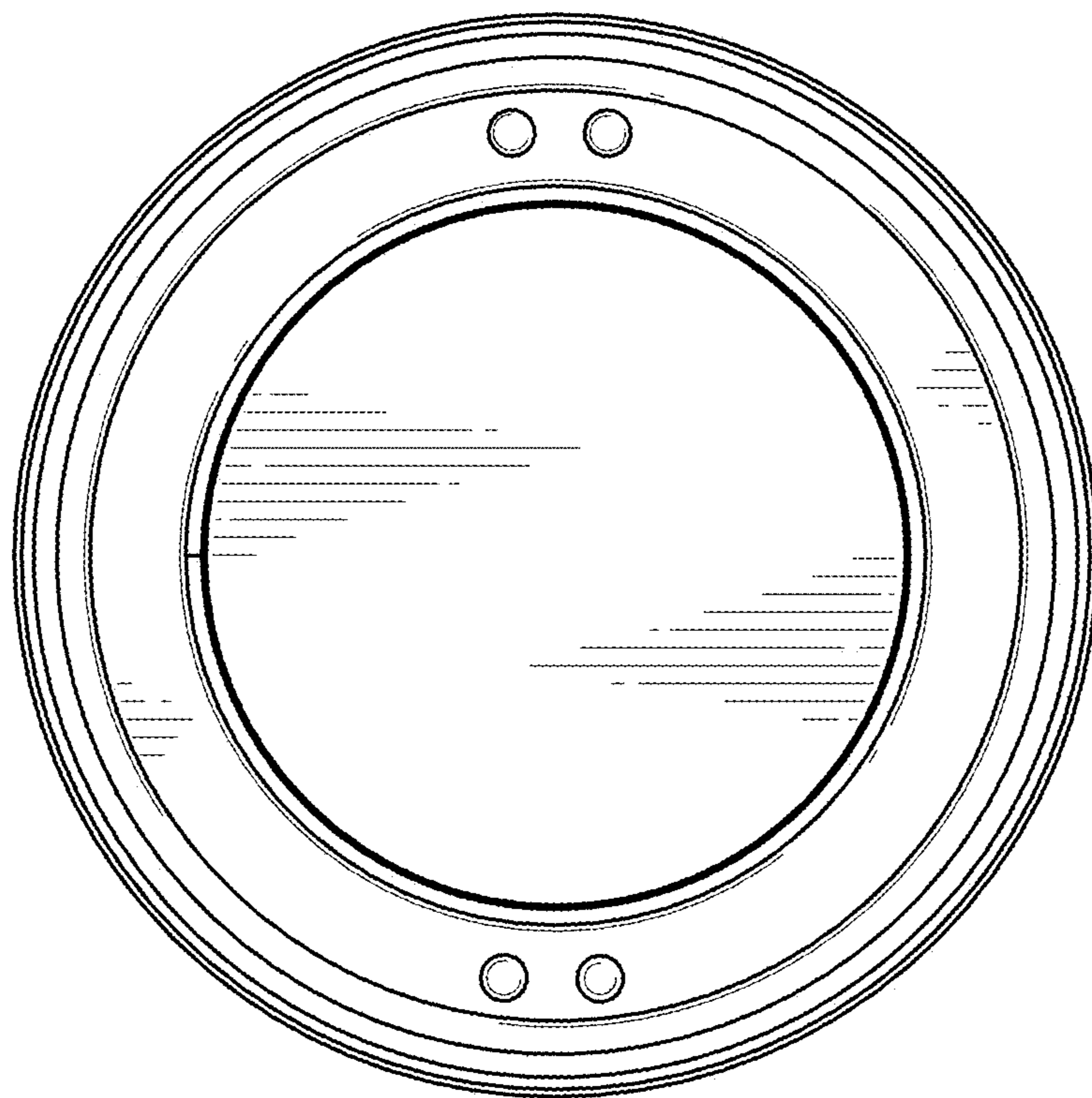


FIG. 17

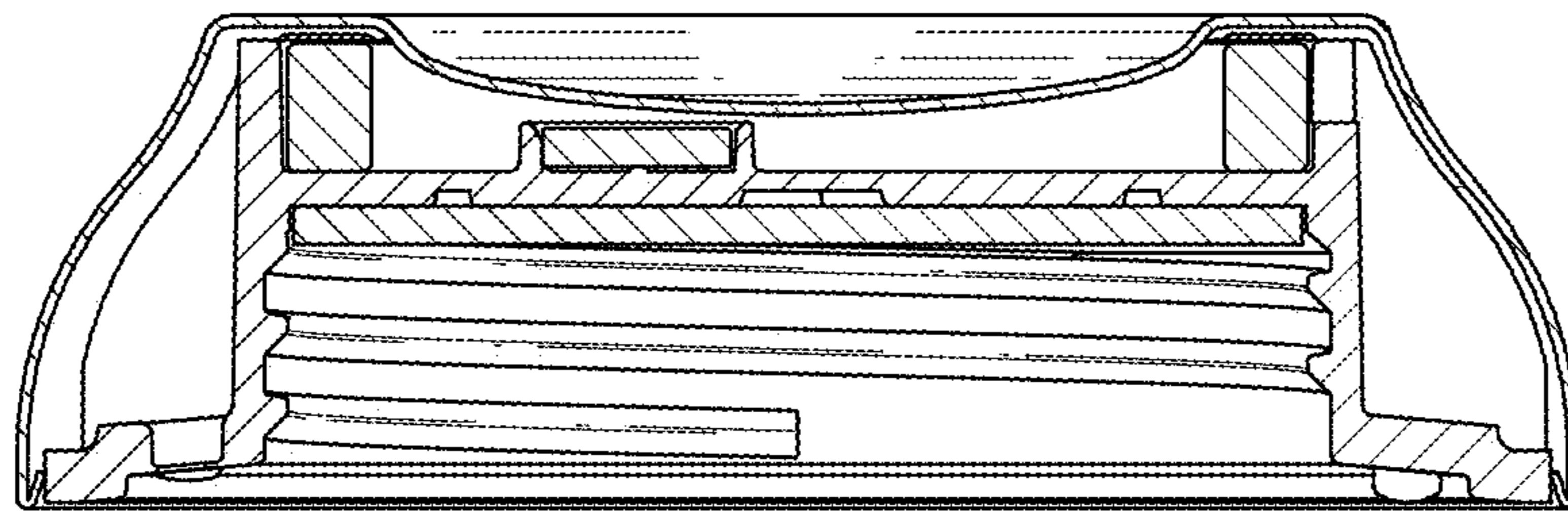


FIG. 18

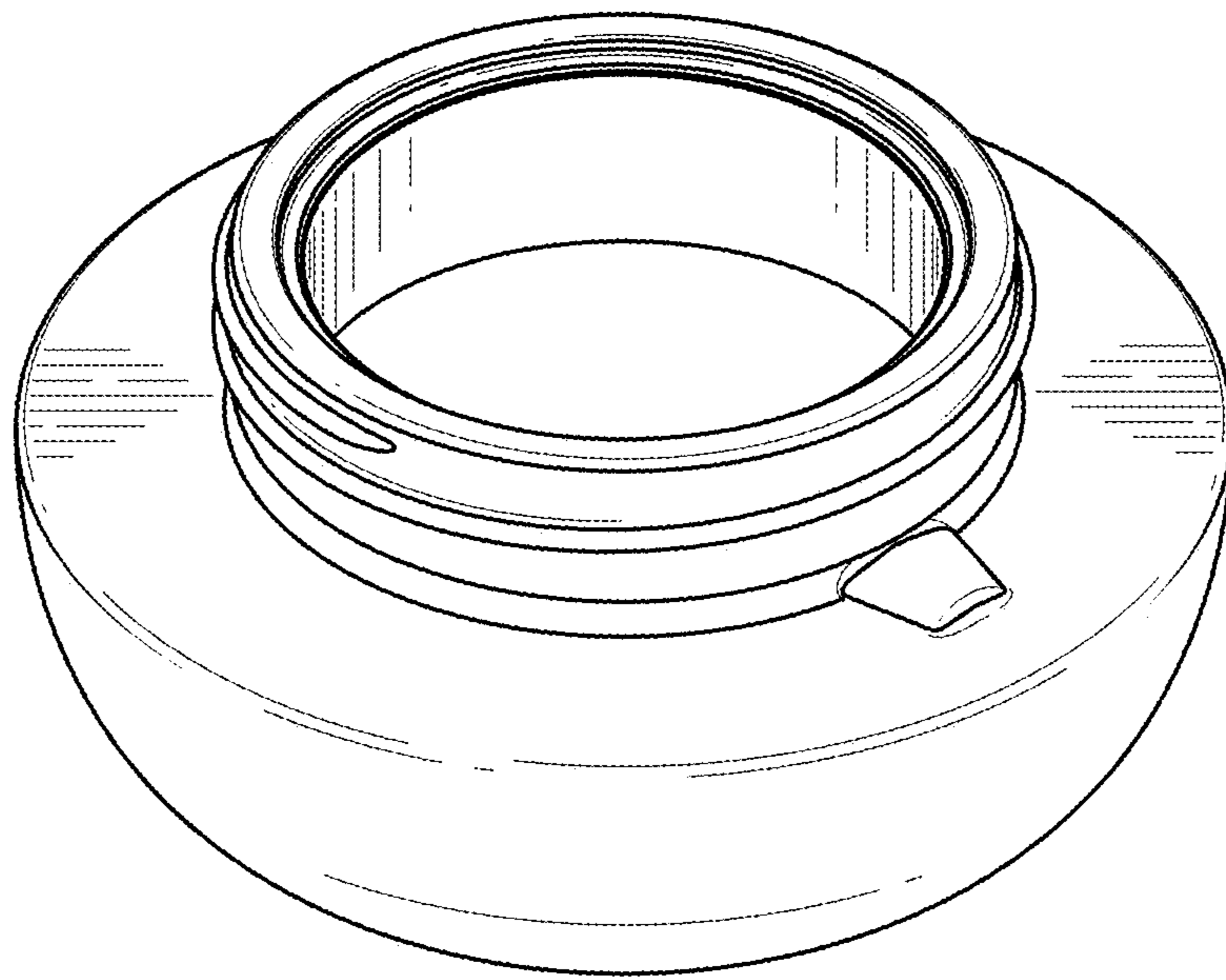


FIG. 19

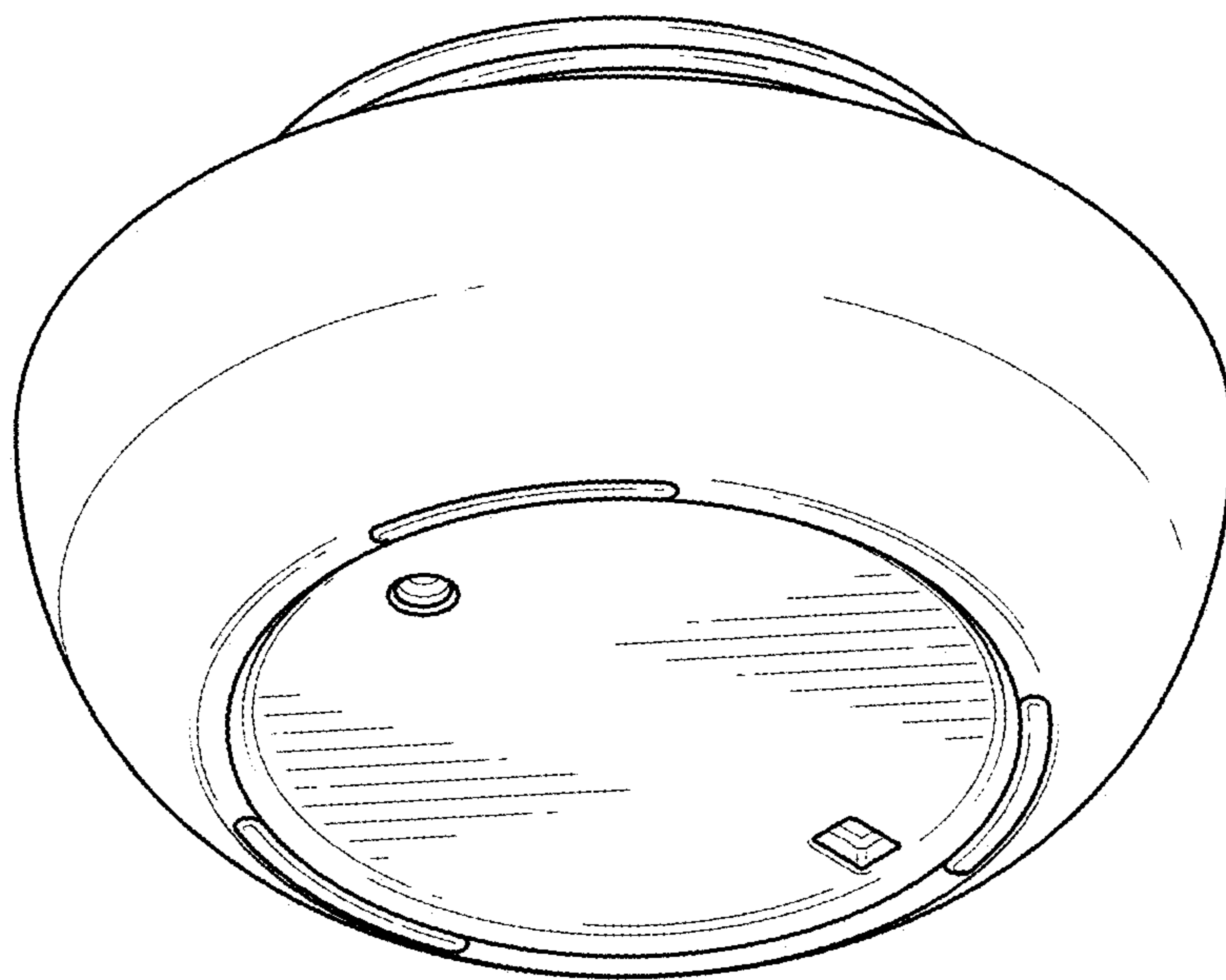


FIG. 20

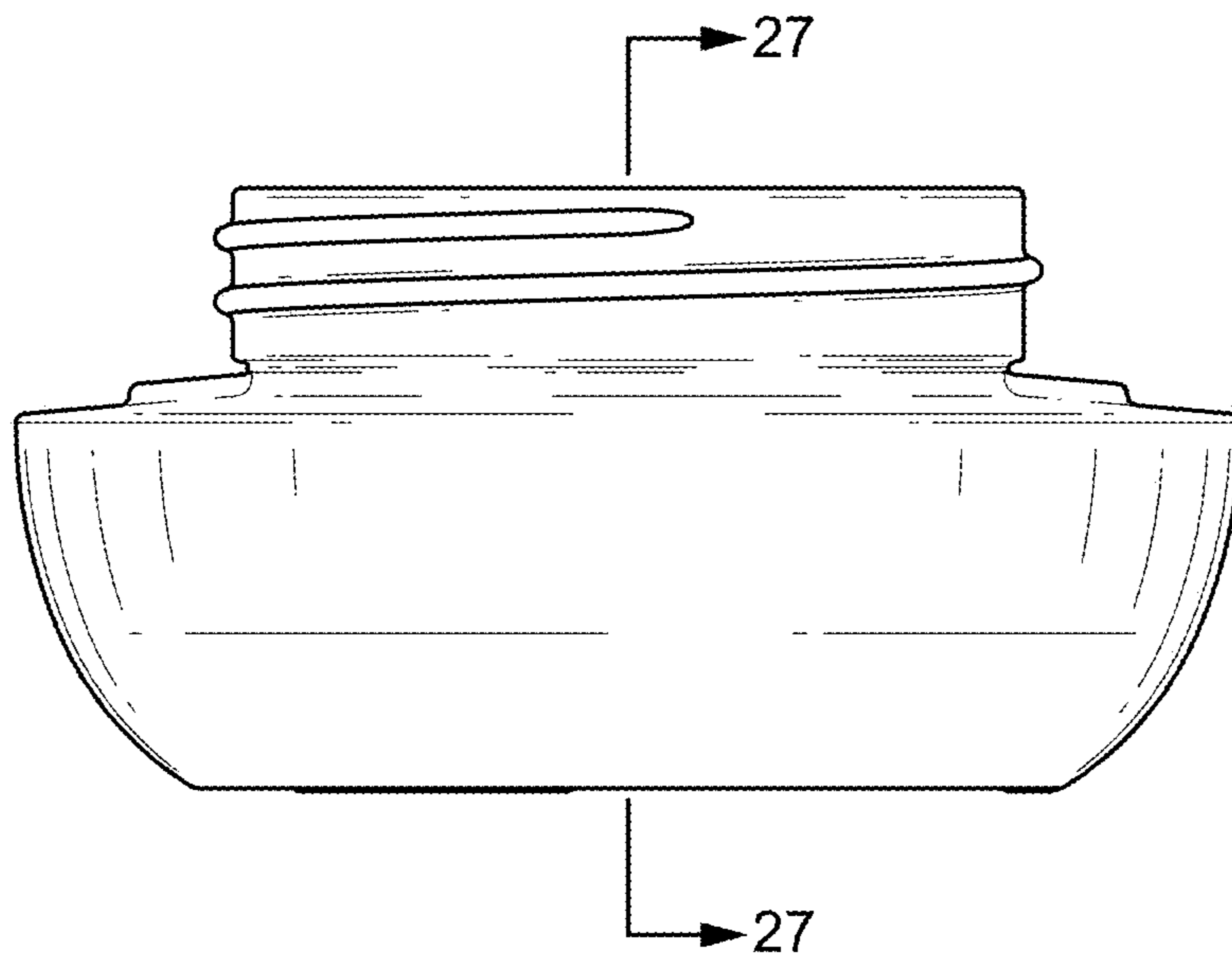


FIG. 21

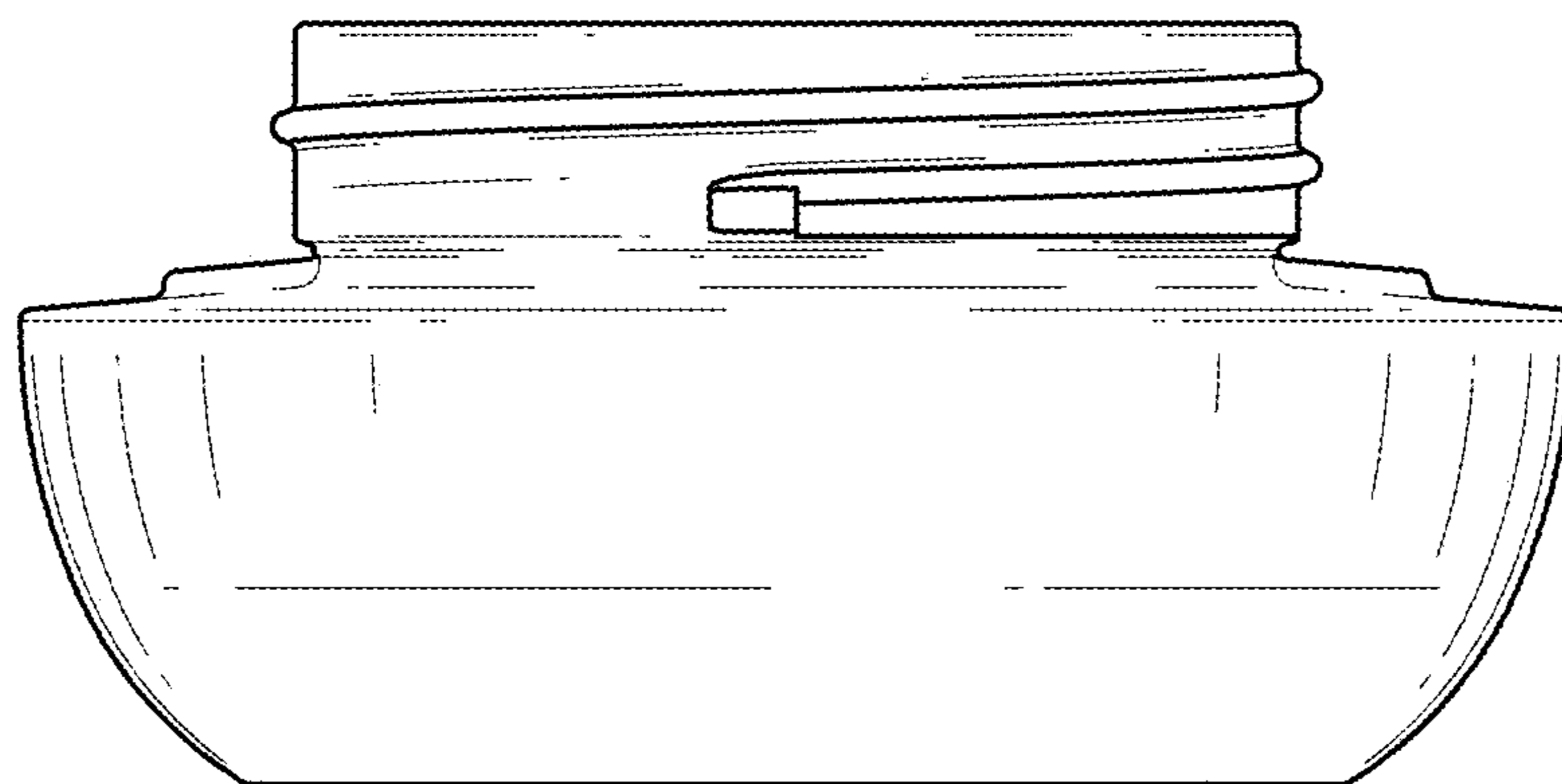


FIG. 22

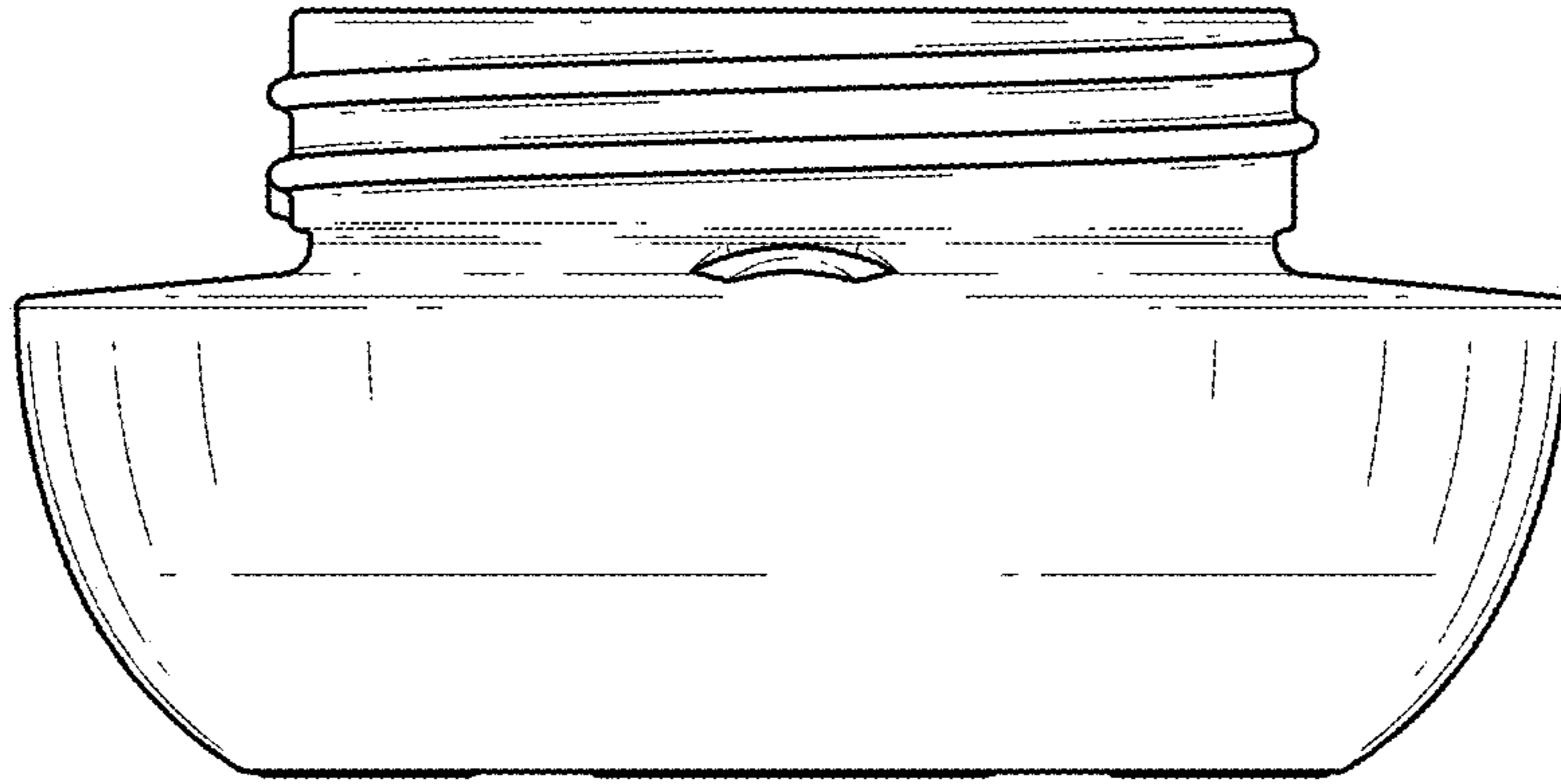


FIG. 23

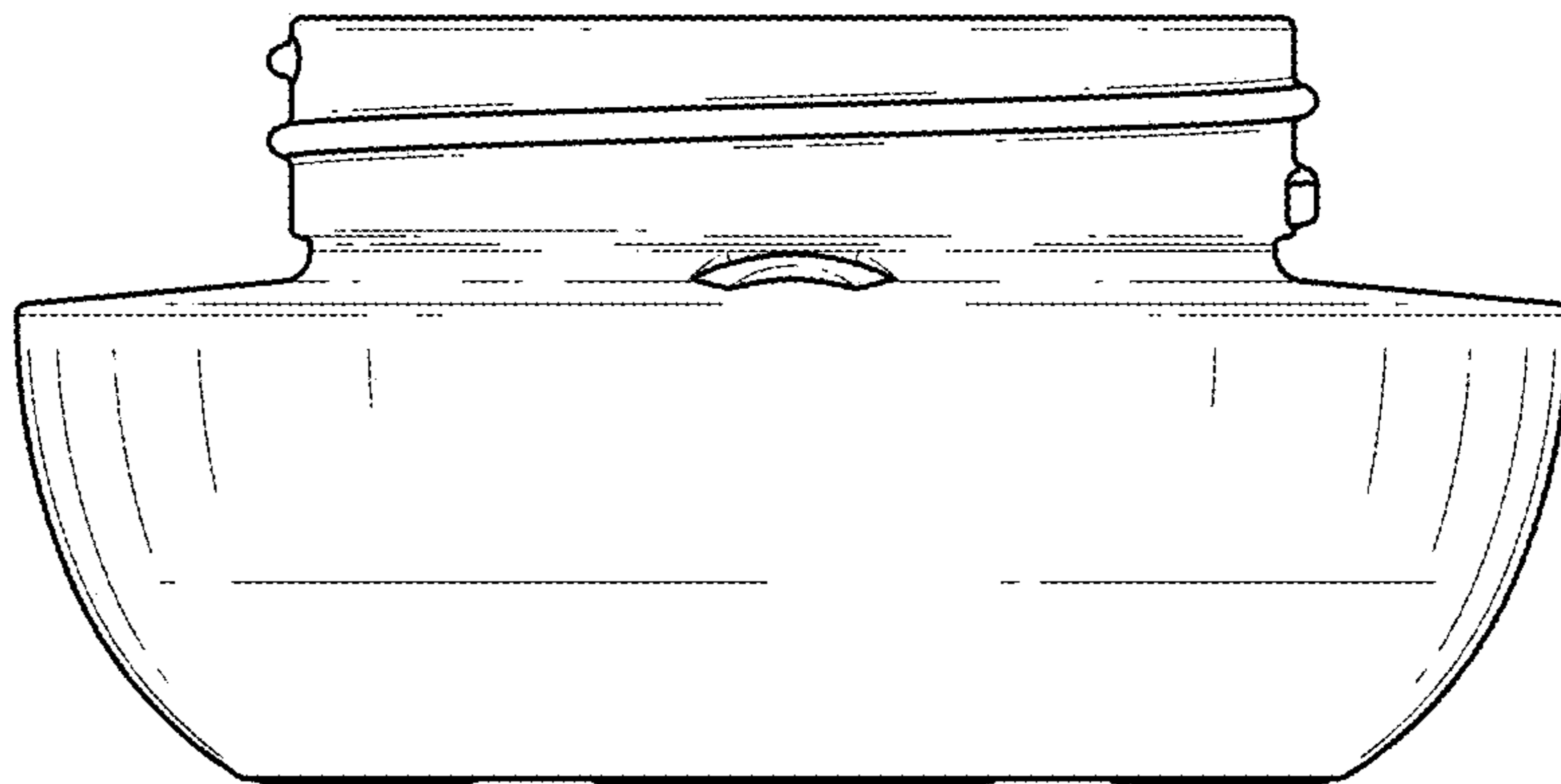


FIG. 24

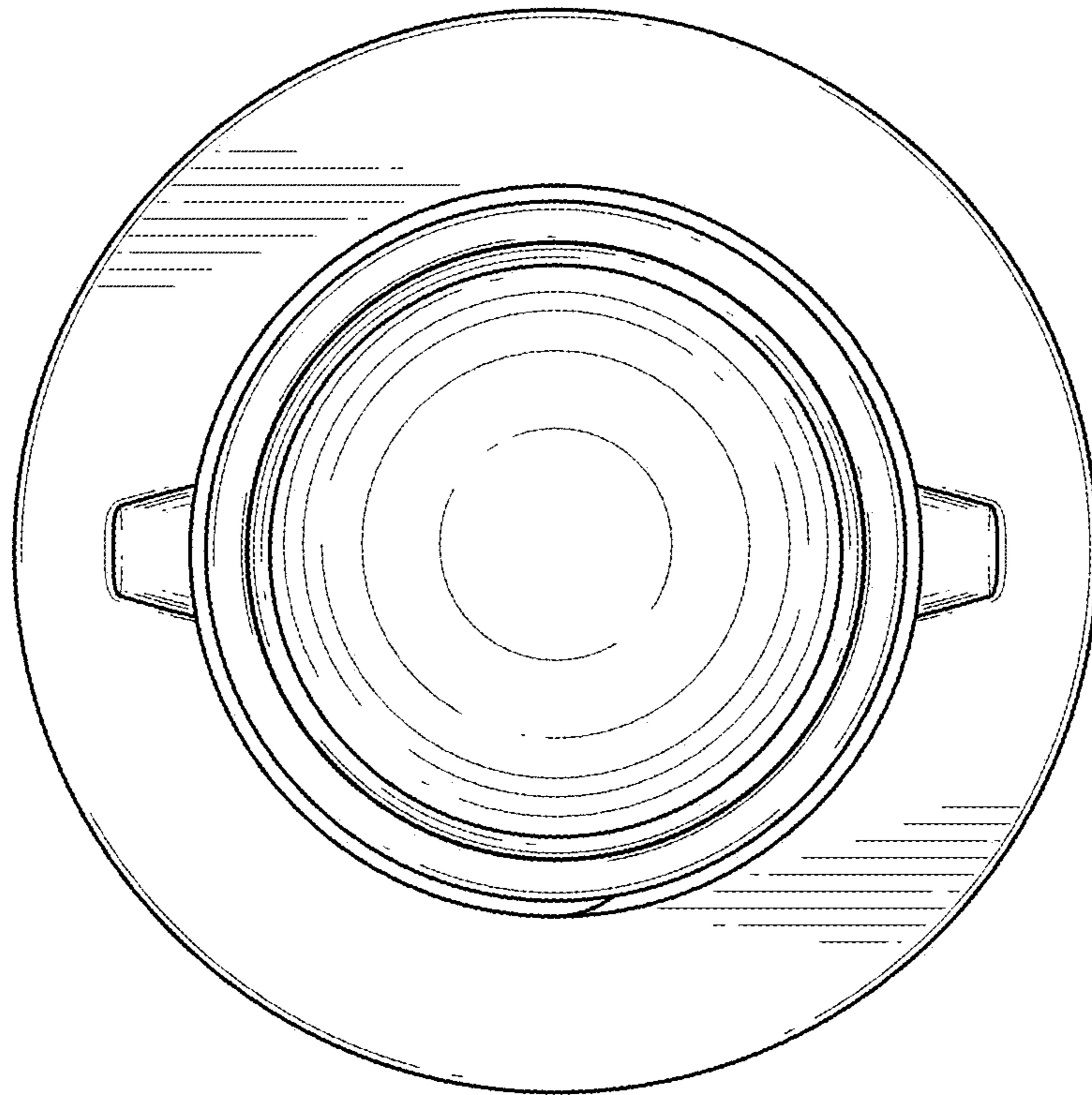


FIG. 25

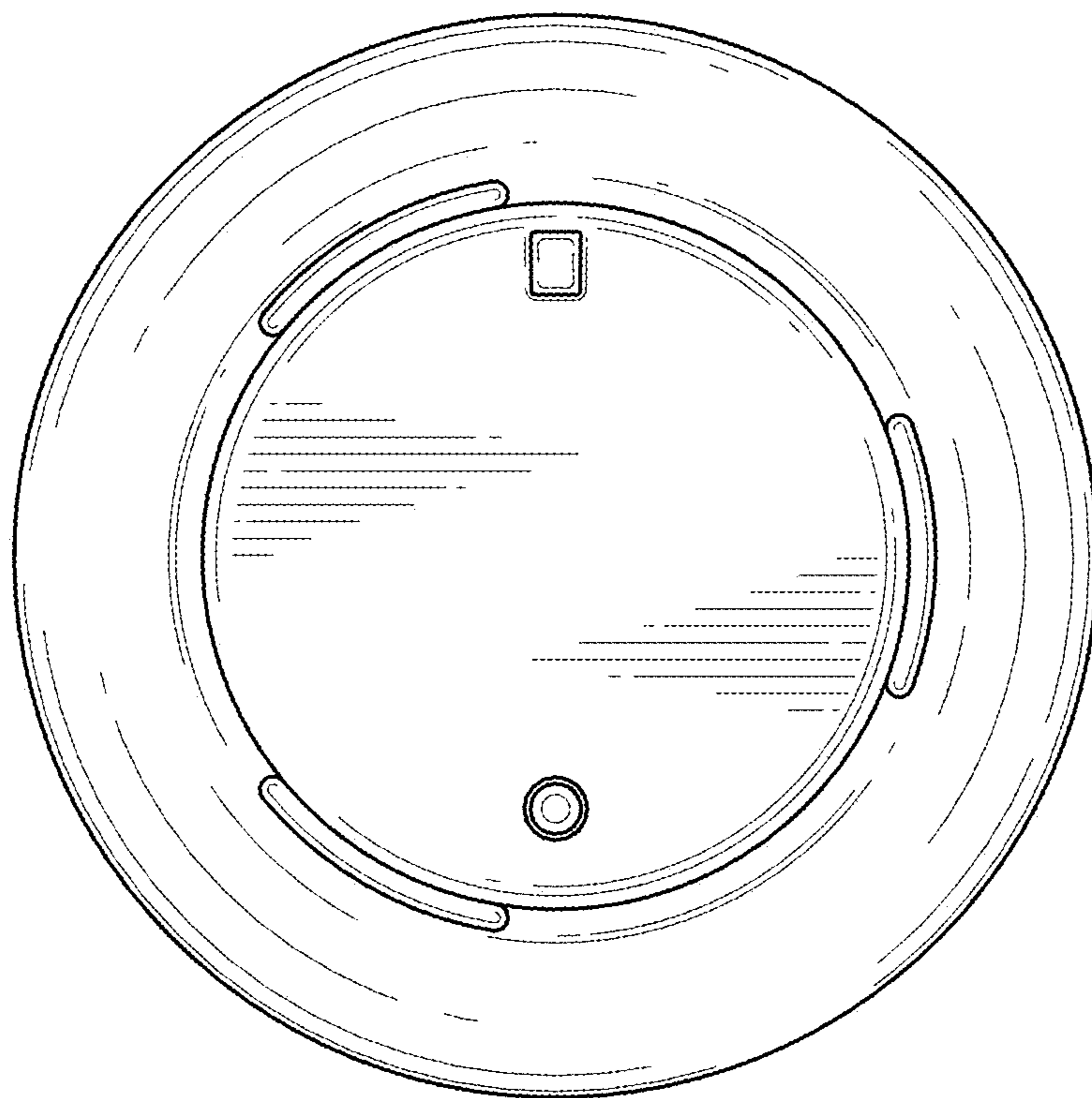


FIG. 26

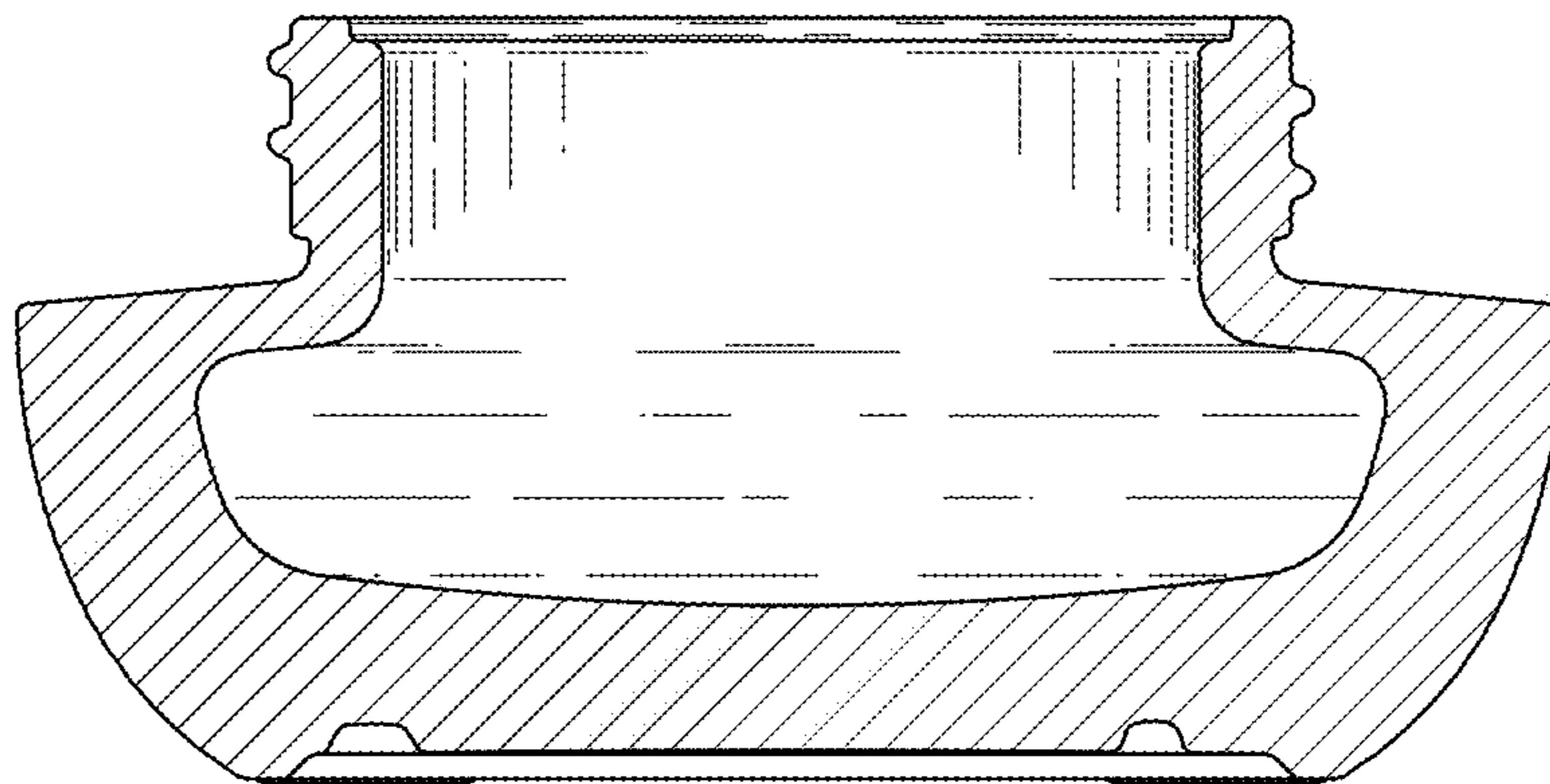


FIG. 27

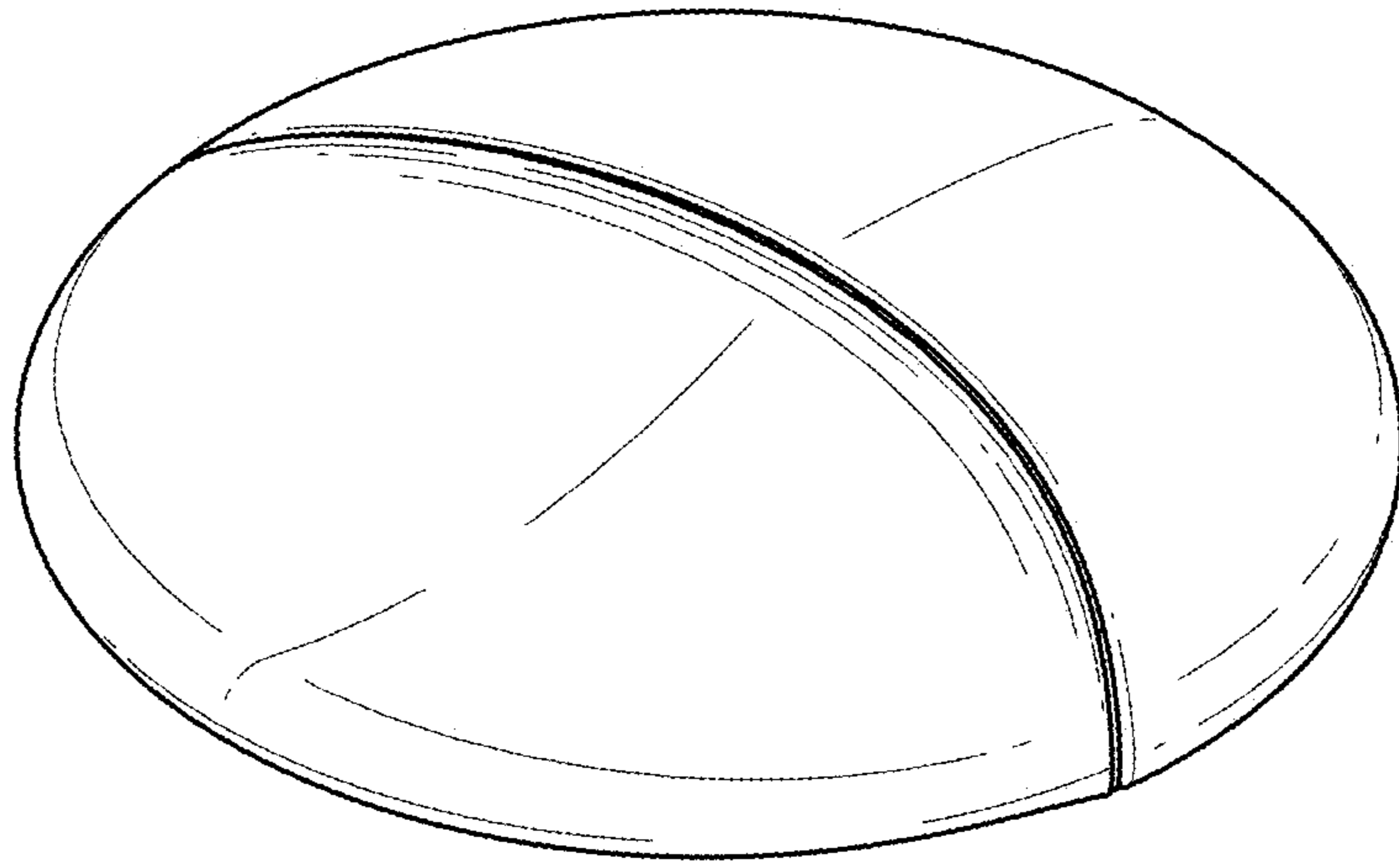


FIG. 28

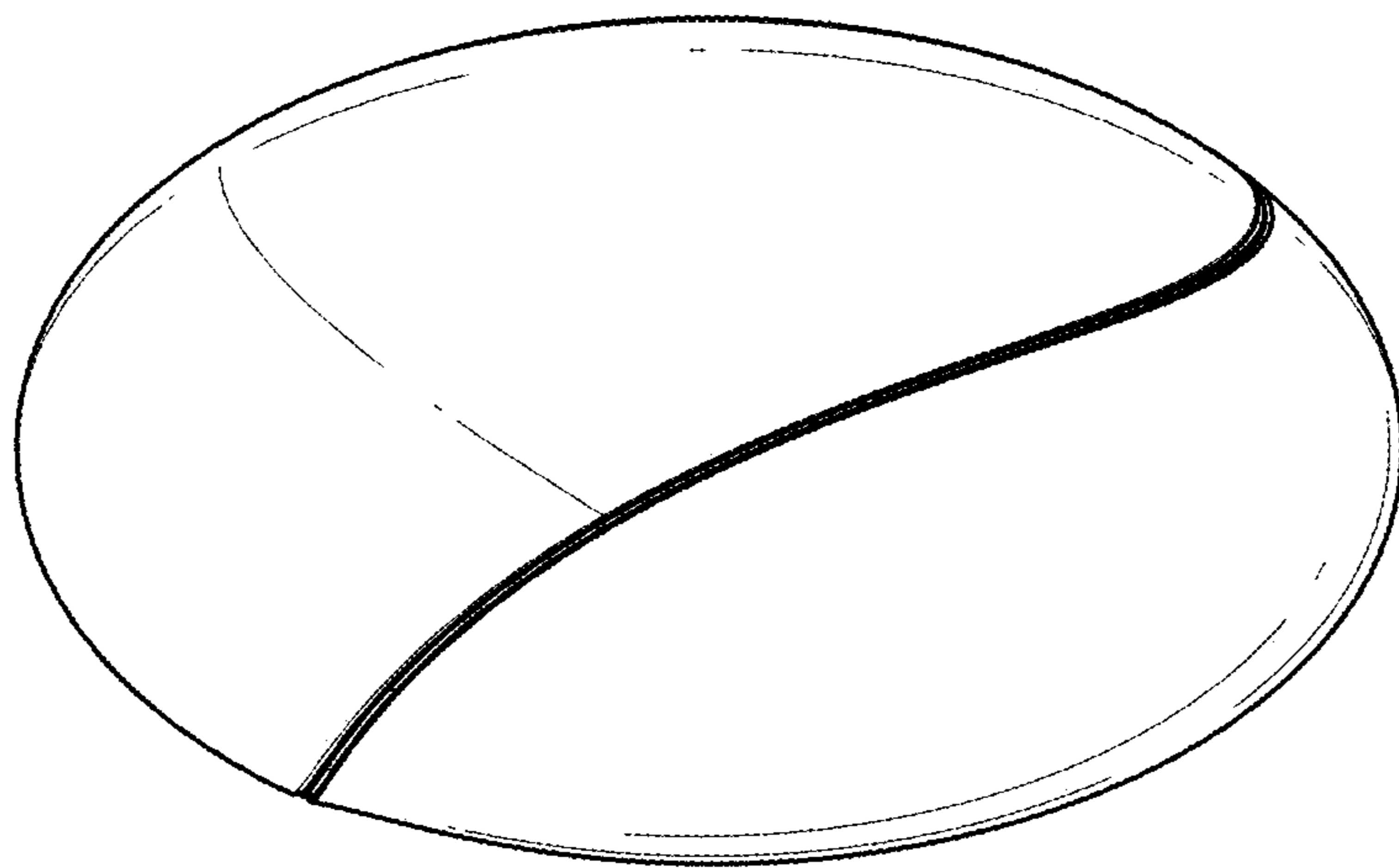


FIG. 29

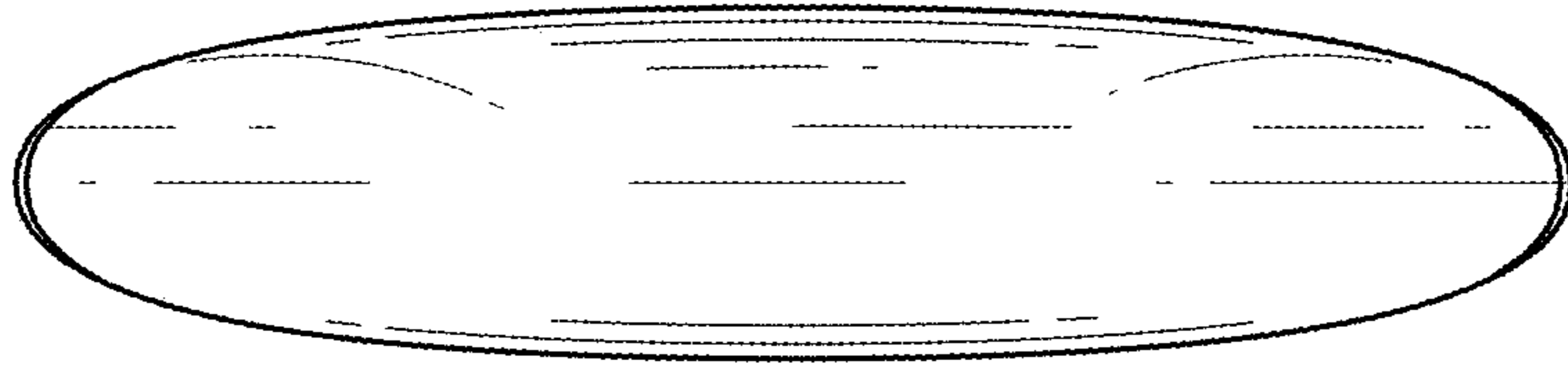


FIG. 30

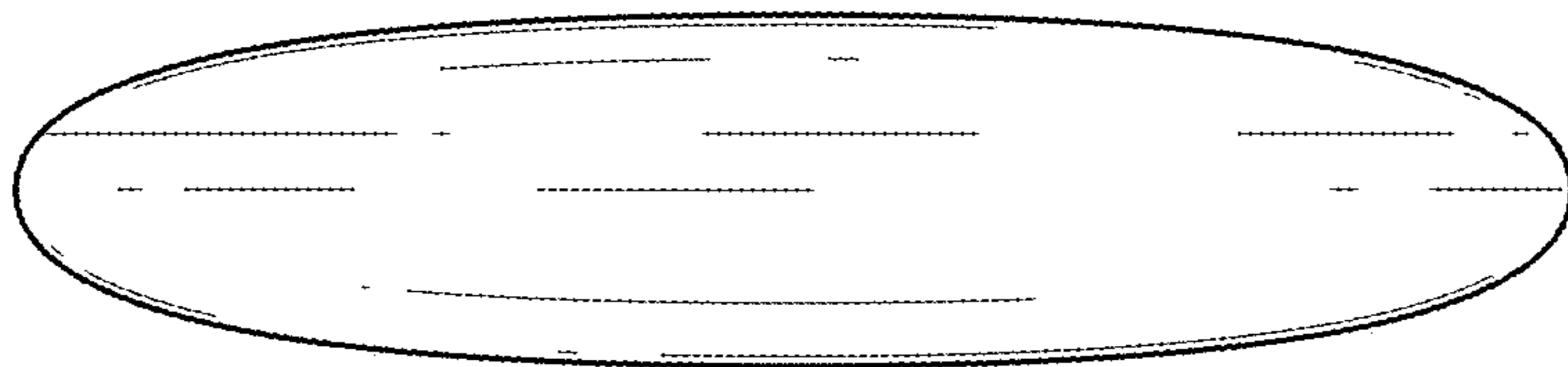


FIG. 31

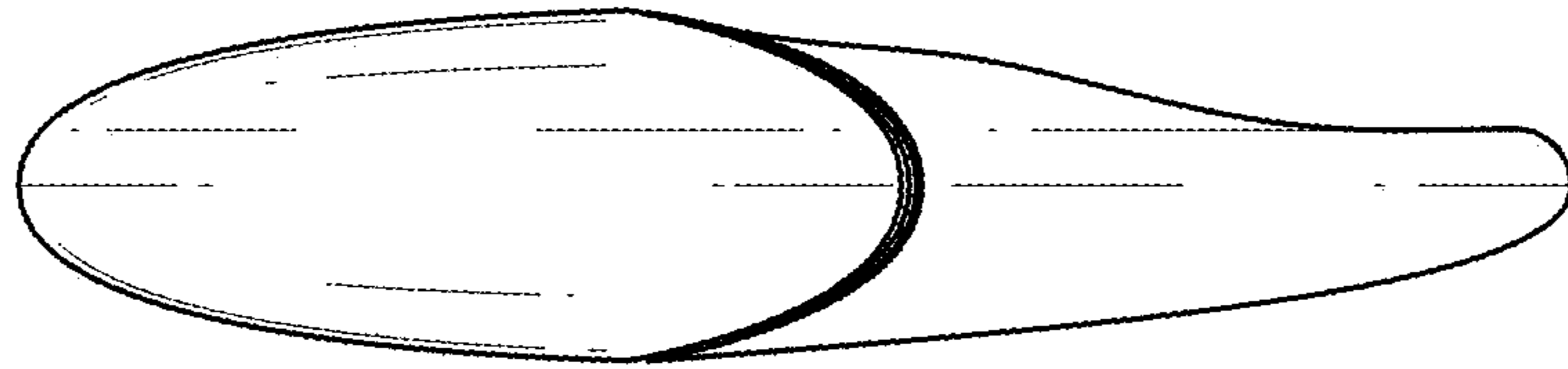


FIG. 32

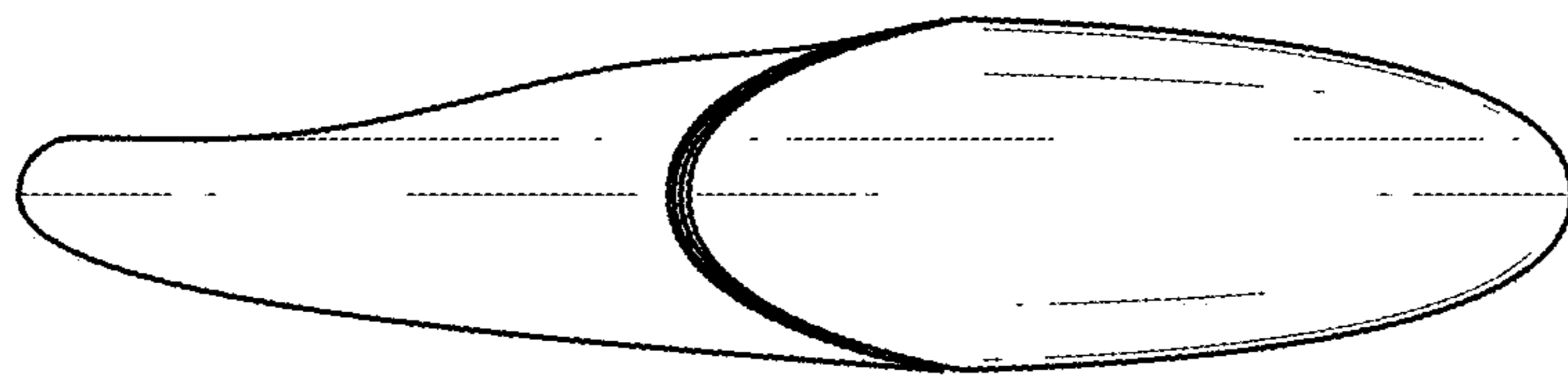


FIG. 33

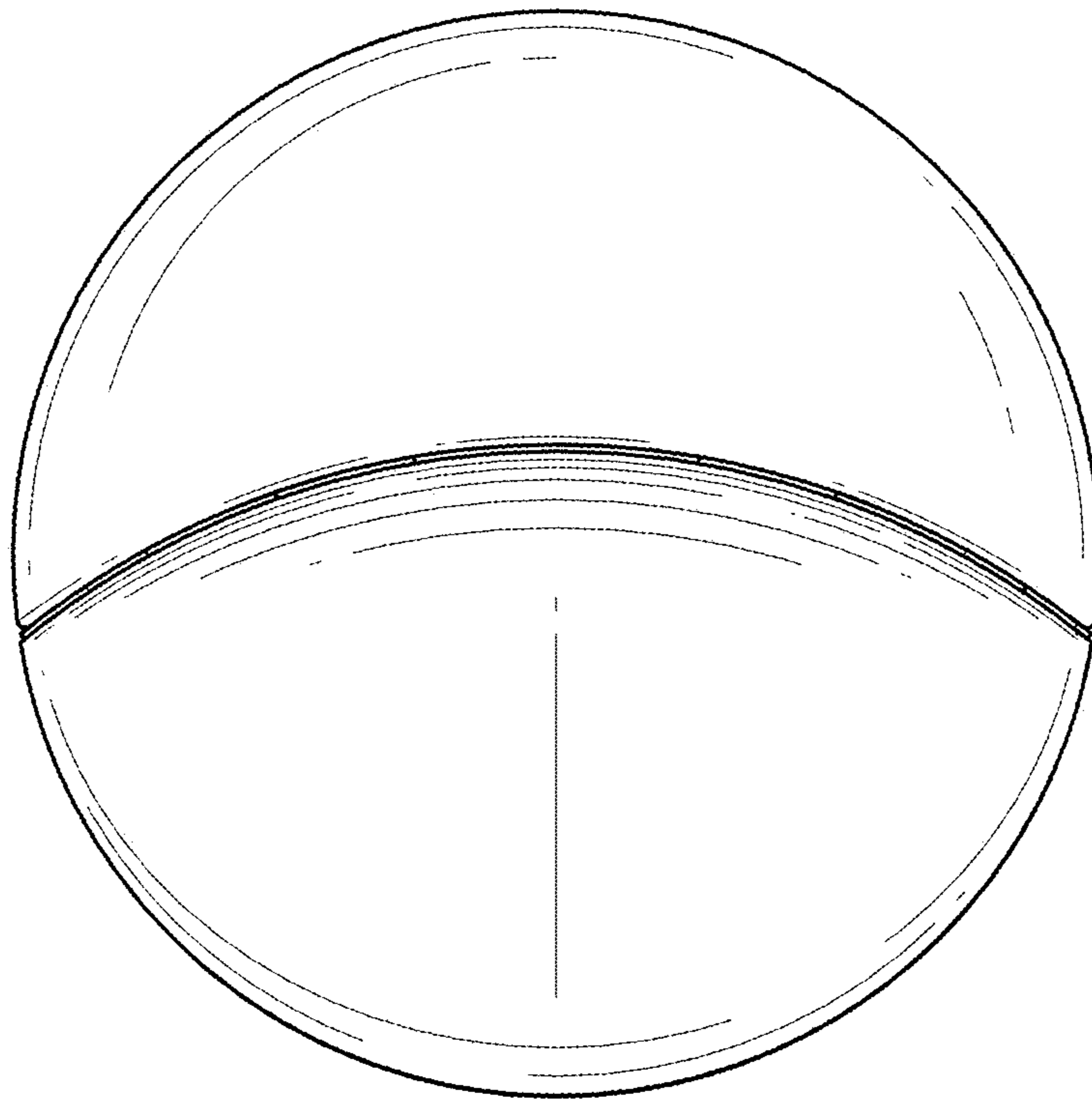


FIG. 34

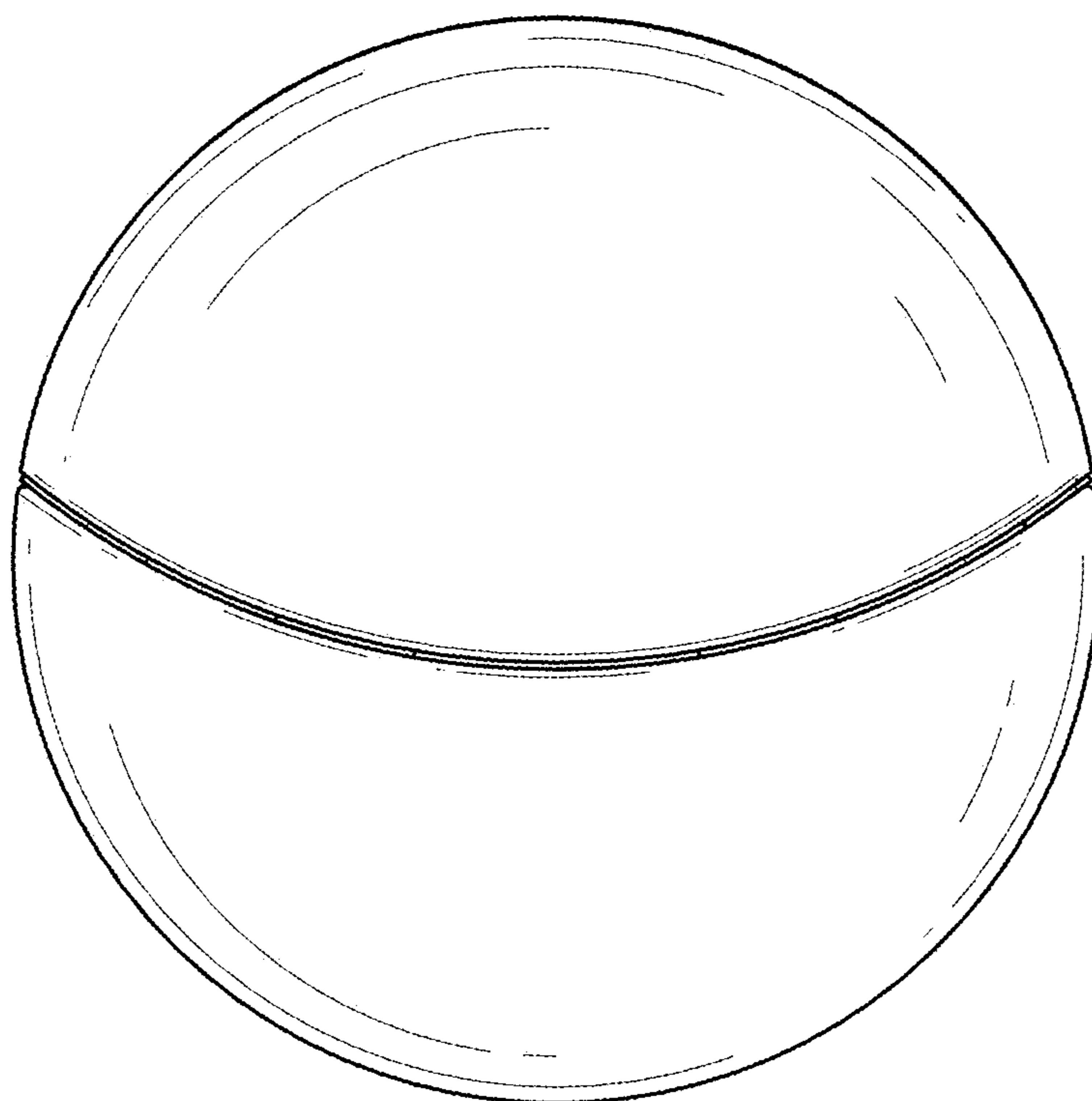


FIG. 35