



US00D891937S

(12) **United States Design Patent**
Hardman

(10) **Patent No.:** **US D891,937 S**

(45) **Date of Patent:** **** Aug. 4, 2020**

(54) **PACKAGE THAT EXPOSES A FLASHLIGHT HEAD AS AIRCRAFT ENGINE COWLING**

(71) Applicant: **GOVOLT LLC**, Gainesville, GA (US)

(72) Inventor: **Scott Thomas Hardman**, Gainesville, GA (US)

(73) Assignee: **GOVOLT LLC**, Gainesville, GA (US)

(**) Term: **15 Years**

(21) Appl. No.: **29/603,153**

(22) Filed: **May 7, 2017**

(51) **LOC (12) Cl.** **09-03**

(52) **U.S. Cl.**
USPC **D9/721; D9/737**

(58) **Field of Classification Search**
USPC D9/721, 415, 418, 420, 430, 432, 433, D9/672-674, 737; D26/38, 51, 57; D3/273, 201-206, 276, 283, 284, 295, D3/274, 302; 220/500, 507, 508; 206/216, 217, 541-550, 518, 557, 558, 206/561, 562, 564, 223, 467; 229/107, 229/406, 120, 125, 17, 906; 249/126, 249/134; 426/106; 215/211, 200, 224, 215/243
CPC B65D 85/34; B65D 85/345; B65D 43/161; B65D 43/162; B65D 43/16; B65D 51/28; B65D 2543/00194; B65D 2543/00296; B65D 1/24; B65D 21/0237; B65D 2543/00101; B65D 2543/00351; B65D 1/36; B65D 2543/00555; B65D 2581/3425; B65D 25/04; B65D 43/0218; B65D 2543/00083; B65D 2543/00268; B65D 2543/00277; B65D 81/3453; B65D 5/66; B65D 5/665; B65D 5/6664; A47G 19/02; A47G 19/065; A47G 23/0608; A47G 23/06;

(Continued)

(56) **References Cited**

U.S. PATENT DOCUMENTS

D327,004 S * 6/1992 Nadel D9/432
D339,063 S * 9/1993 Simon D9/432
D346,960 S * 5/1994 Bennett D9/418

(Continued)

Primary Examiner — W. A. Teddy Falloway

(74) *Attorney, Agent, or Firm* — Clayton, McKay & Bailey, PC

(57) **CLAIM**

The ornamental design for a package that exposes a flashlight head as aircraft engine cowling, as shown.

DESCRIPTION

FIG. 1 is a perspective view of an open package that exposes a flashlight head as aircraft engine cowling, showing applicant's new design.

FIG. 2 is a right-side view of the open package.

FIG. 3 is a left-side view of the open package.

FIG. 4 is a bottom-up view of the open package.

FIG. 5 is a top-down view of the open package.

FIG. 6 is a front view of the open package.

FIG. 7 is a rear view of the open package.

FIG. 8 is a perspective view of the package when closed, exposing the flashlight head as the aircraft engine cowling.

FIG. 9 is a right-side view of the closed package.

FIG. 10 is a left-side view of the closed package.

FIG. 11 is a bottom-up view of the closed package.

FIG. 12 is a top-down view of the closed package.

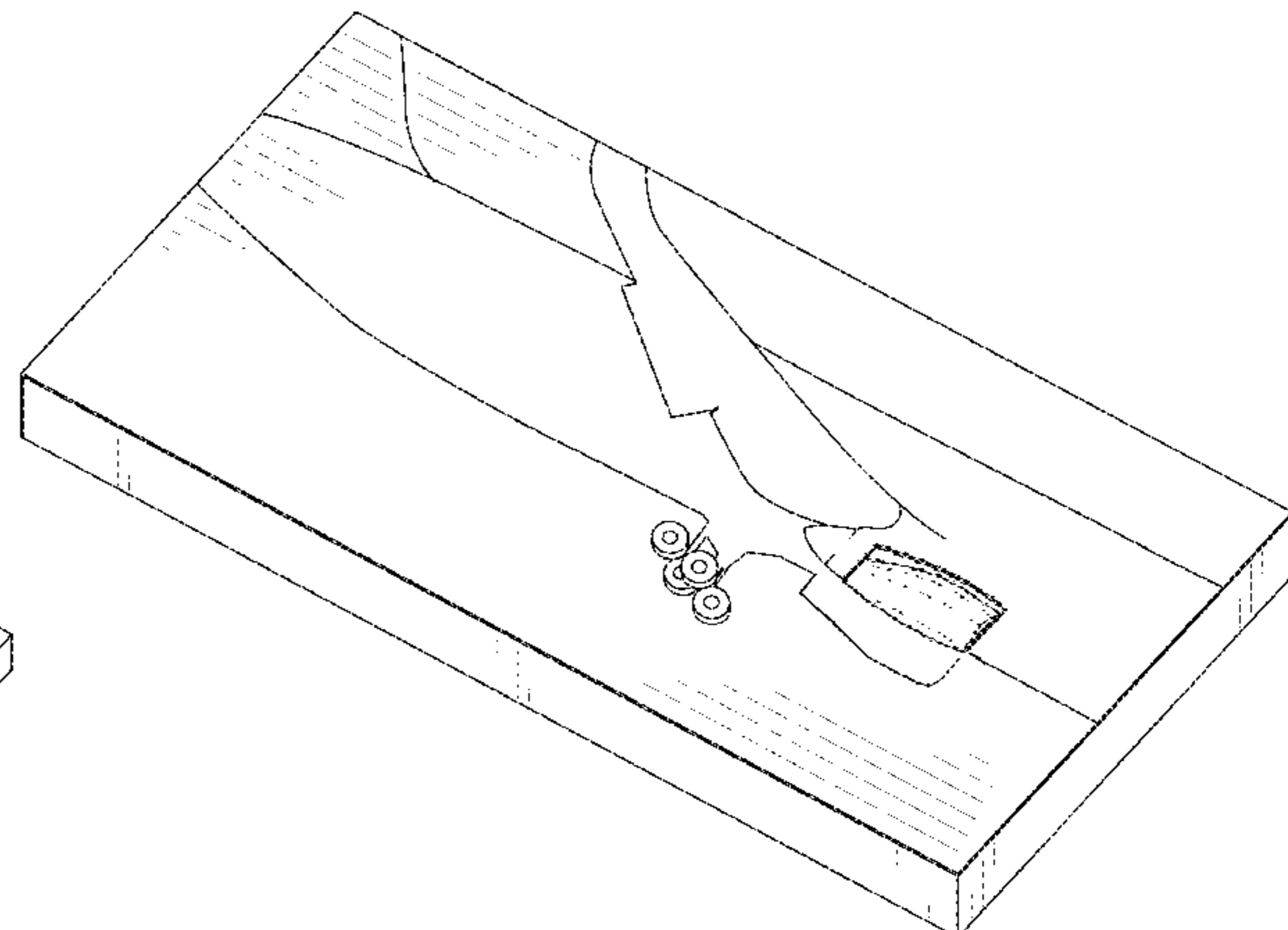
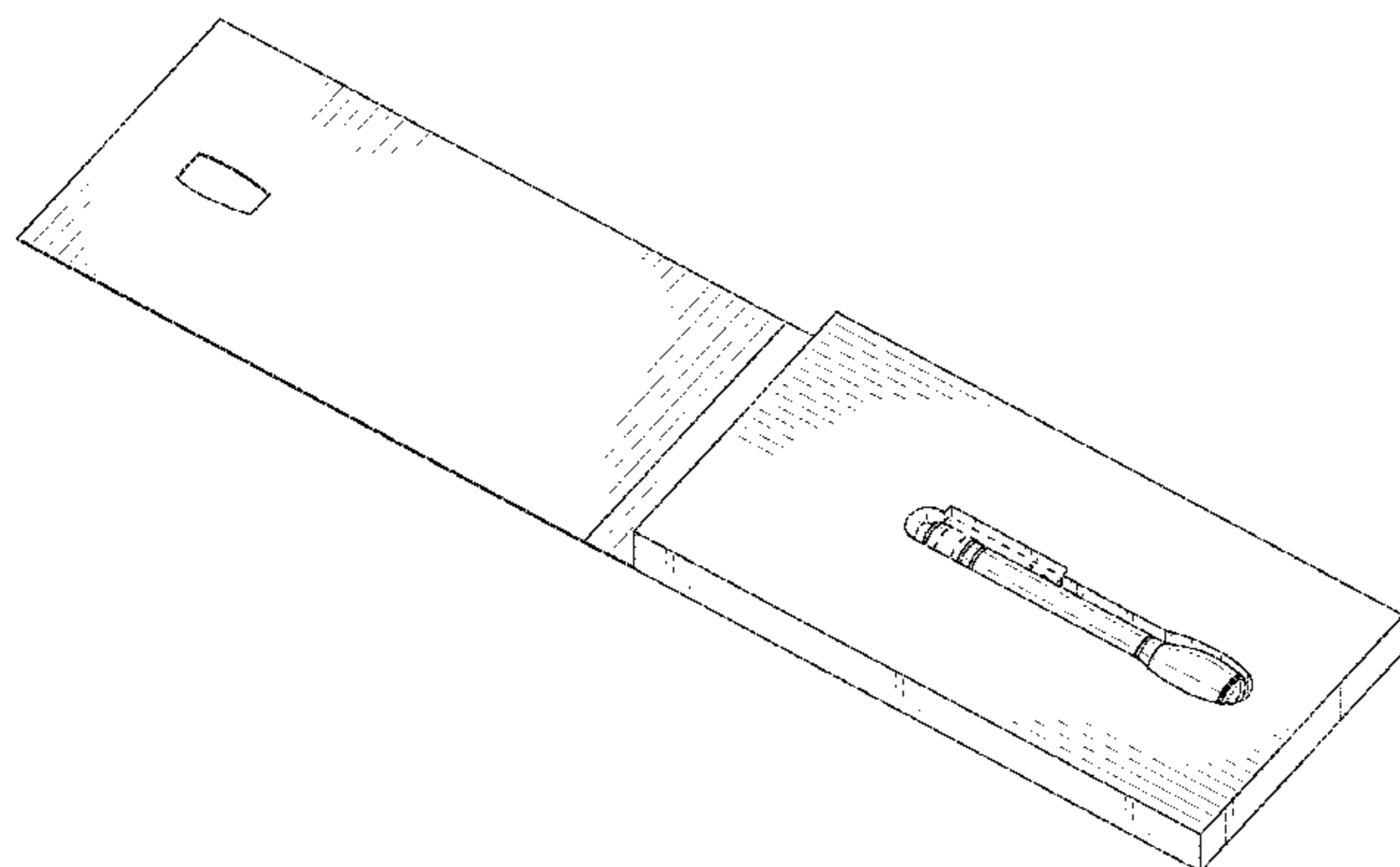
FIG. 13 is a front view of the closed package; and,

FIG. 14 is a rear view of the closed package.

The broken lines shown represent portions of the package that exposes a flashlight head as aircraft engine cowling that form no part of the claimed design.

The package includes an opening through which the head of a flashlight is exposed. The opening is oriented in a drawing of an aircraft such that the head of the flashlight is positioned as engine cowling for the aircraft.

1 Claim, 14 Drawing Sheets



(58) **Field of Classification Search**

CPC Y10S 229/904; Y10S 229/902; Y10S
229/906; Y10S 229/917

See application file for complete search history.

(56) **References Cited**

U.S. PATENT DOCUMENTS

5,458,235 A * 10/1995 Stone B65D 5/4204
206/232
D373,080 S * 8/1996 Prosperi D9/418
D380,964 S * 7/1997 Miller D9/415
D521,862 S * 5/2006 Siethoff D9/432
D543,104 S * 5/2007 Frederiksen D9/422
D632,169 S * 2/2011 Ruth D9/418
D633,381 S * 3/2011 Klauder D9/418
D644,922 S * 9/2011 Smith D9/418
D671,814 S * 12/2012 Liang D26/38
D691,464 S * 10/2013 Lee D9/415
D697,791 S * 1/2014 Jones D9/423
D723,390 S * 3/2015 Eriksson D9/732
D725,480 S * 3/2015 Lipman D9/418
D734,145 S * 7/2015 Fath D9/418
D778,151 S * 2/2017 Watson D9/418
D798,708 S * 10/2017 Chambers D9/432
D816,490 S * 5/2018 Pejouyan D9/432
D819,455 S * 6/2018 Fahy D9/721
D843,827 S * 3/2019 Nelson D9/415
D846,982 S * 4/2019 Horne D9/418
D852,032 S * 6/2019 Horne D9/415
D855,452 S * 8/2019 Palacios D9/418
D865,251 S * 10/2019 Hardman D26/49
D868,575 S * 12/2019 Davidson, Jr. D9/418
2013/0213833 A1 * 8/2013 Pruet B65D 73/0078
206/223

* cited by examiner

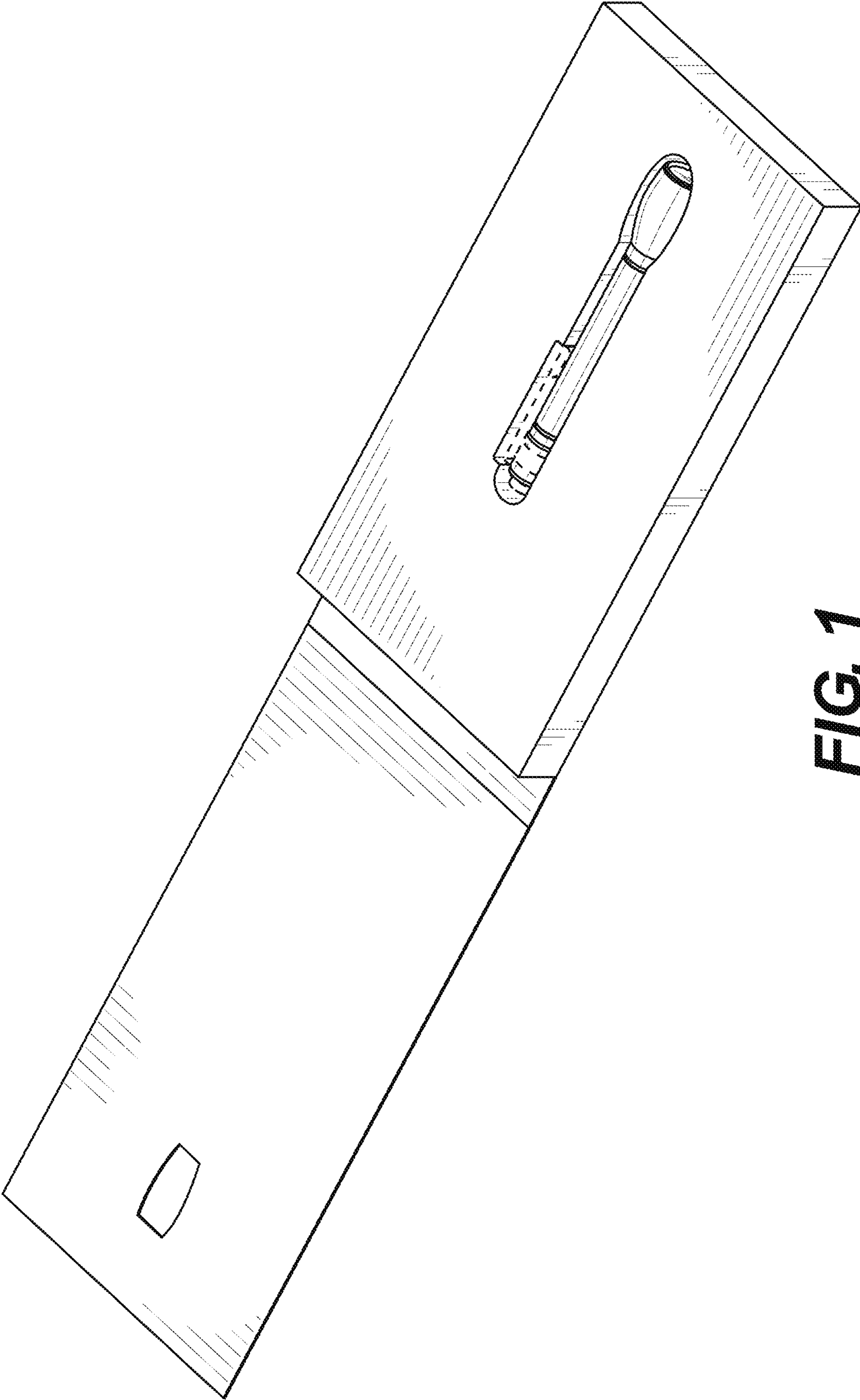


FIG. 1

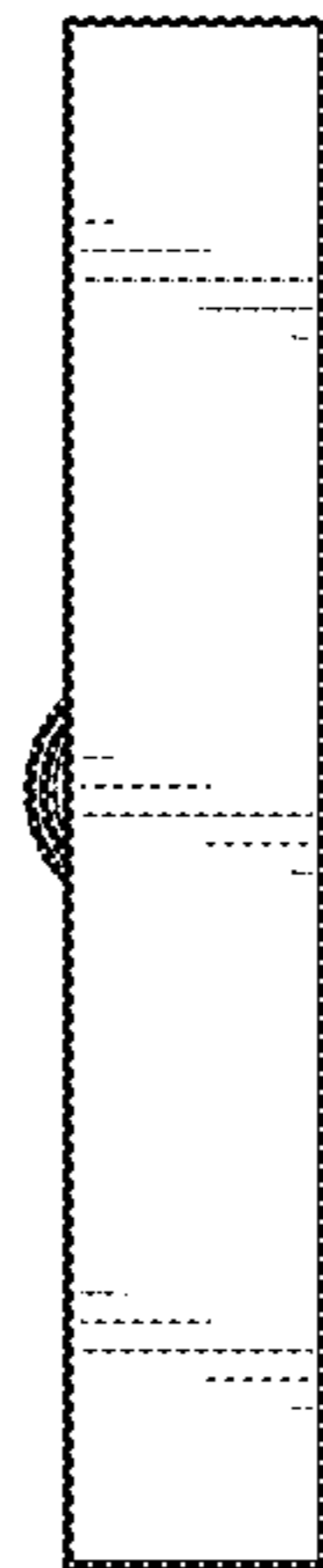


FIG. 2

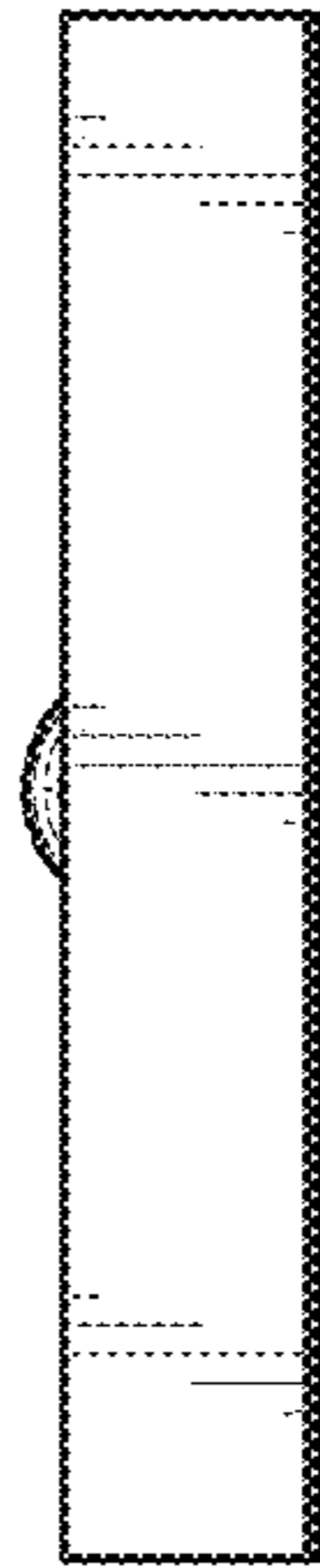


FIG. 3

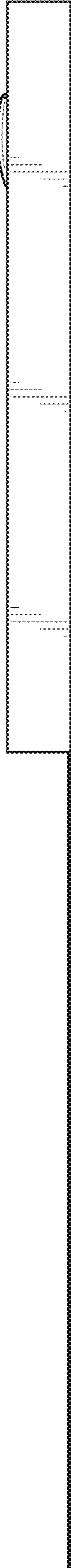


FIG. 4



FIG. 5

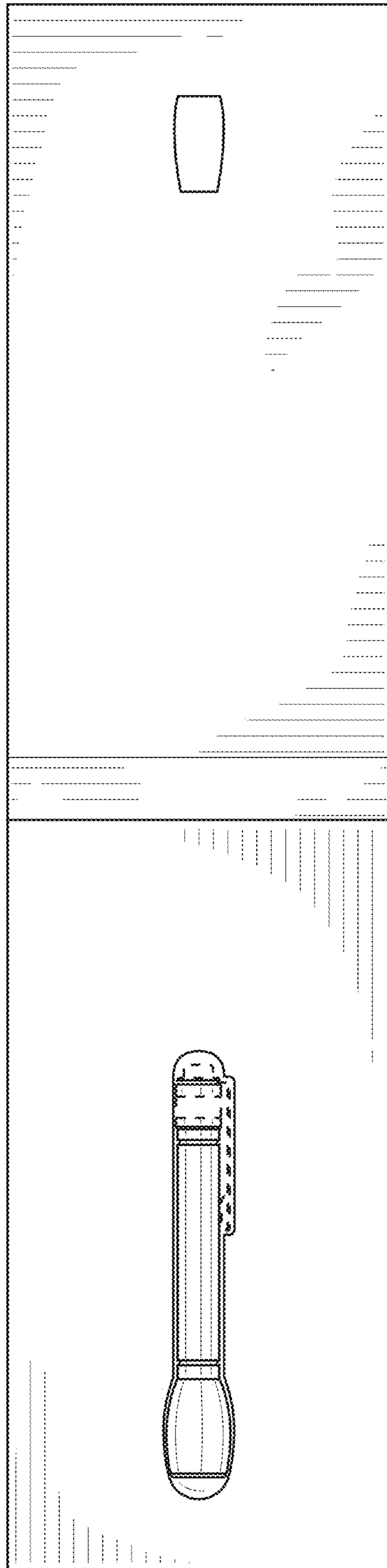


FIG. 6

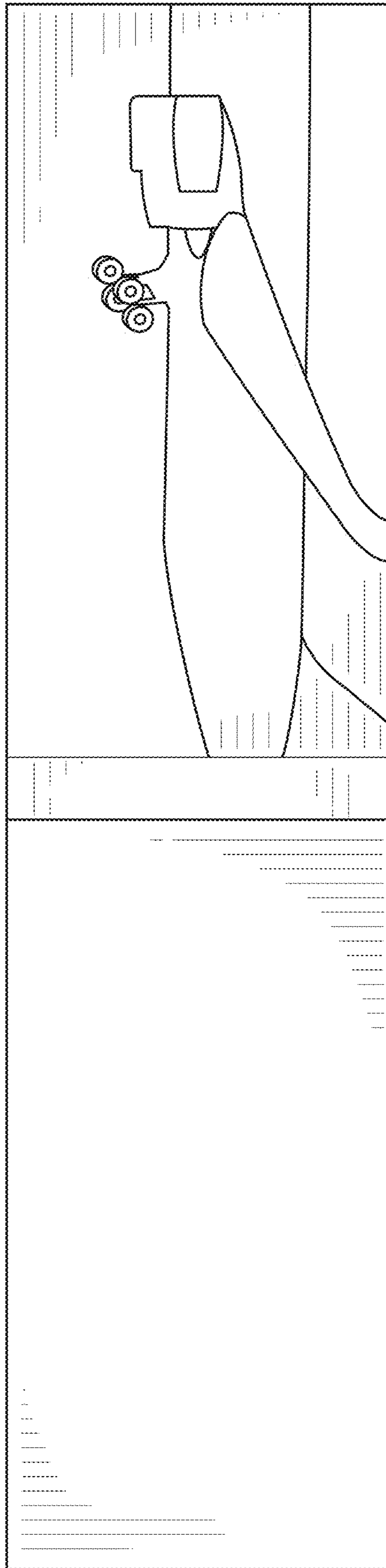


FIG. 7

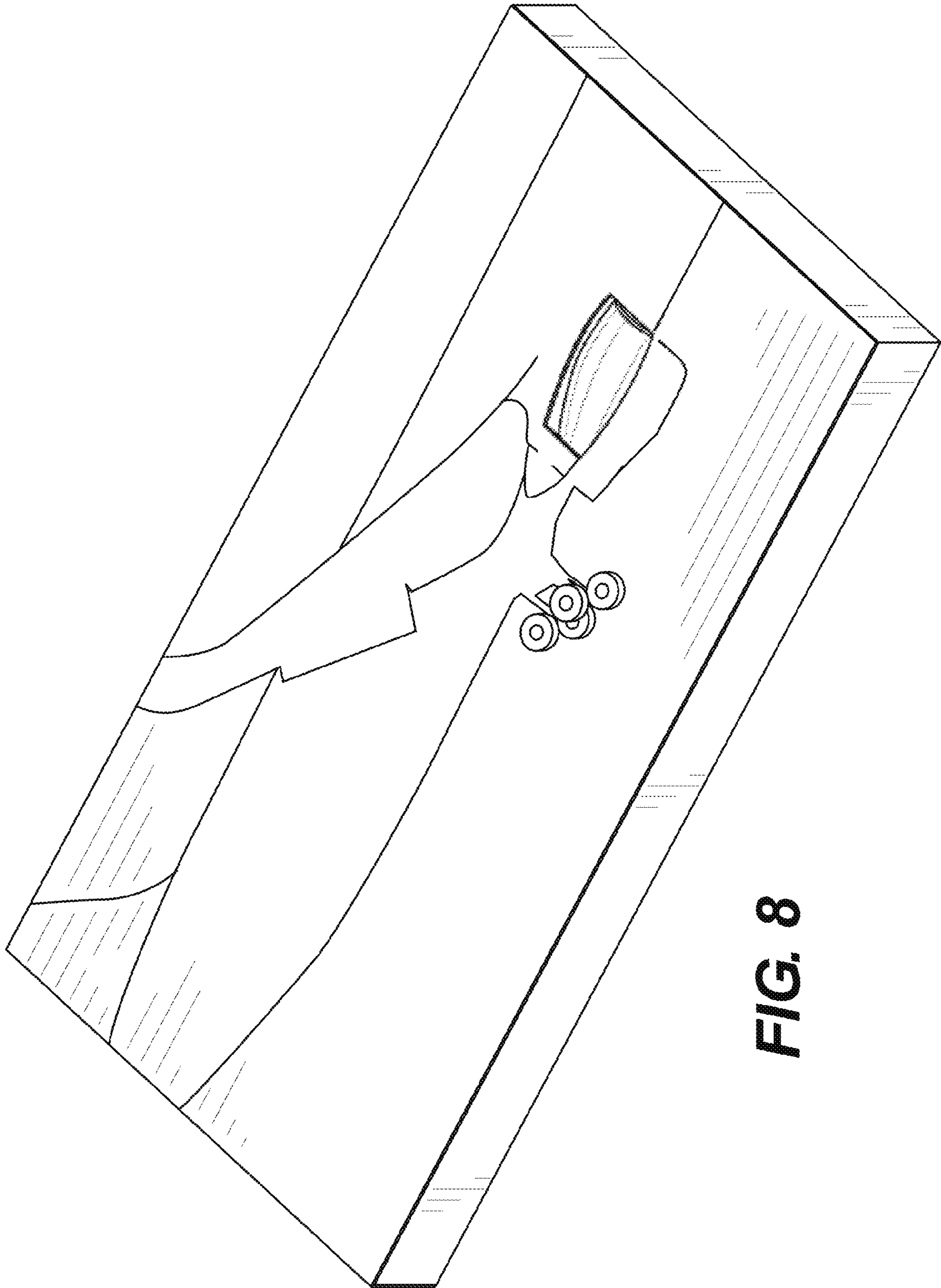


FIG. 8

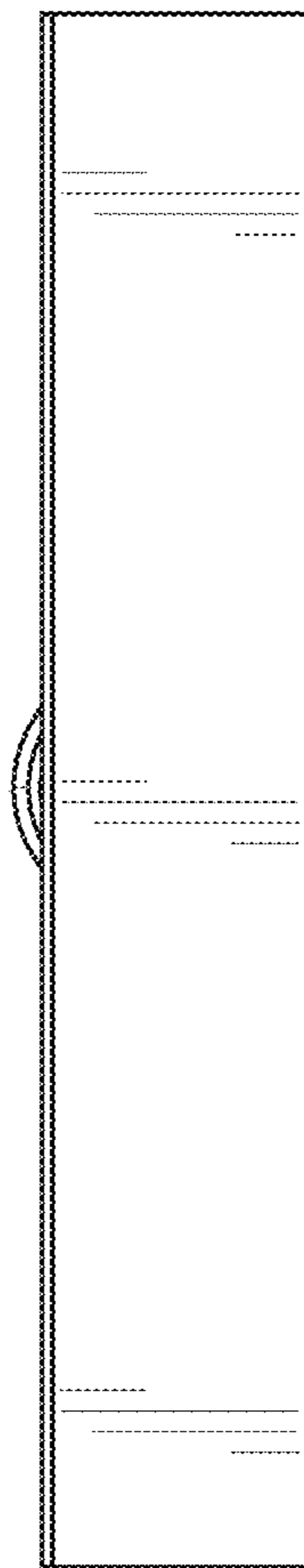


FIG. 9

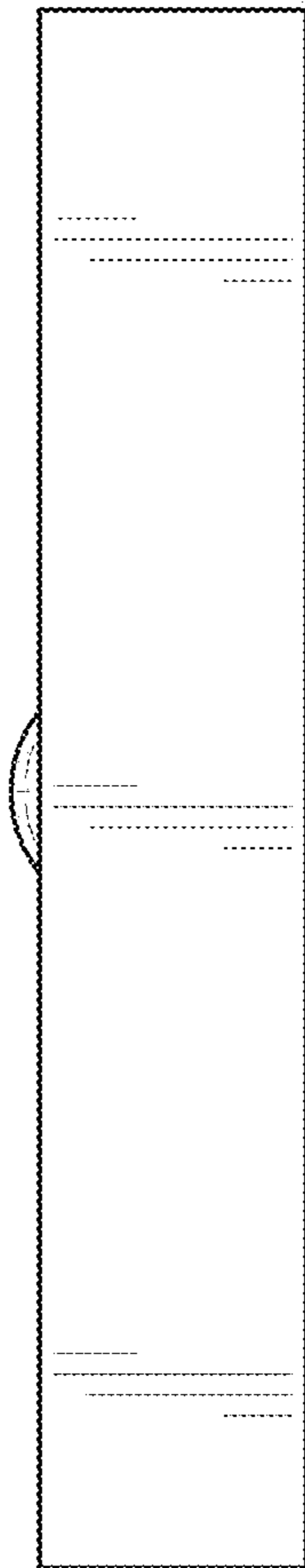


FIG. 10

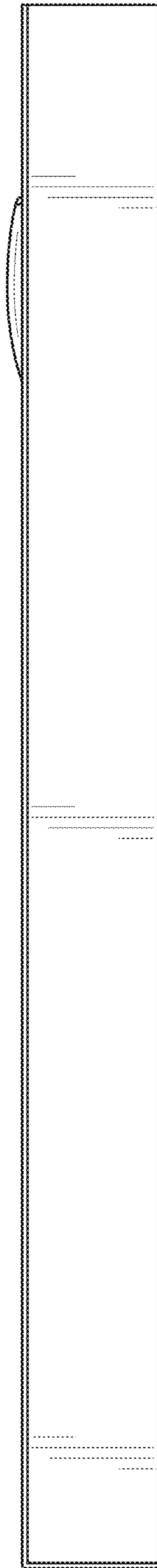


FIG. 11

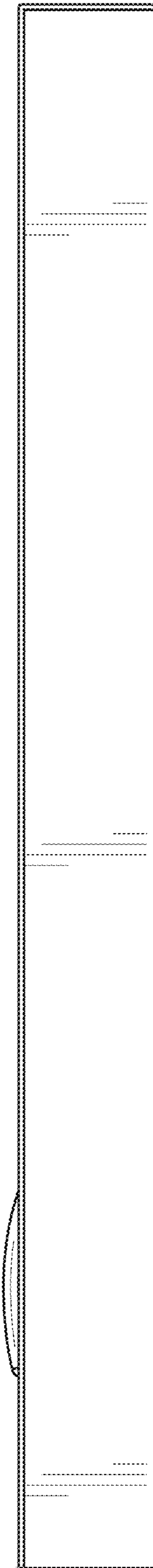


FIG. 12

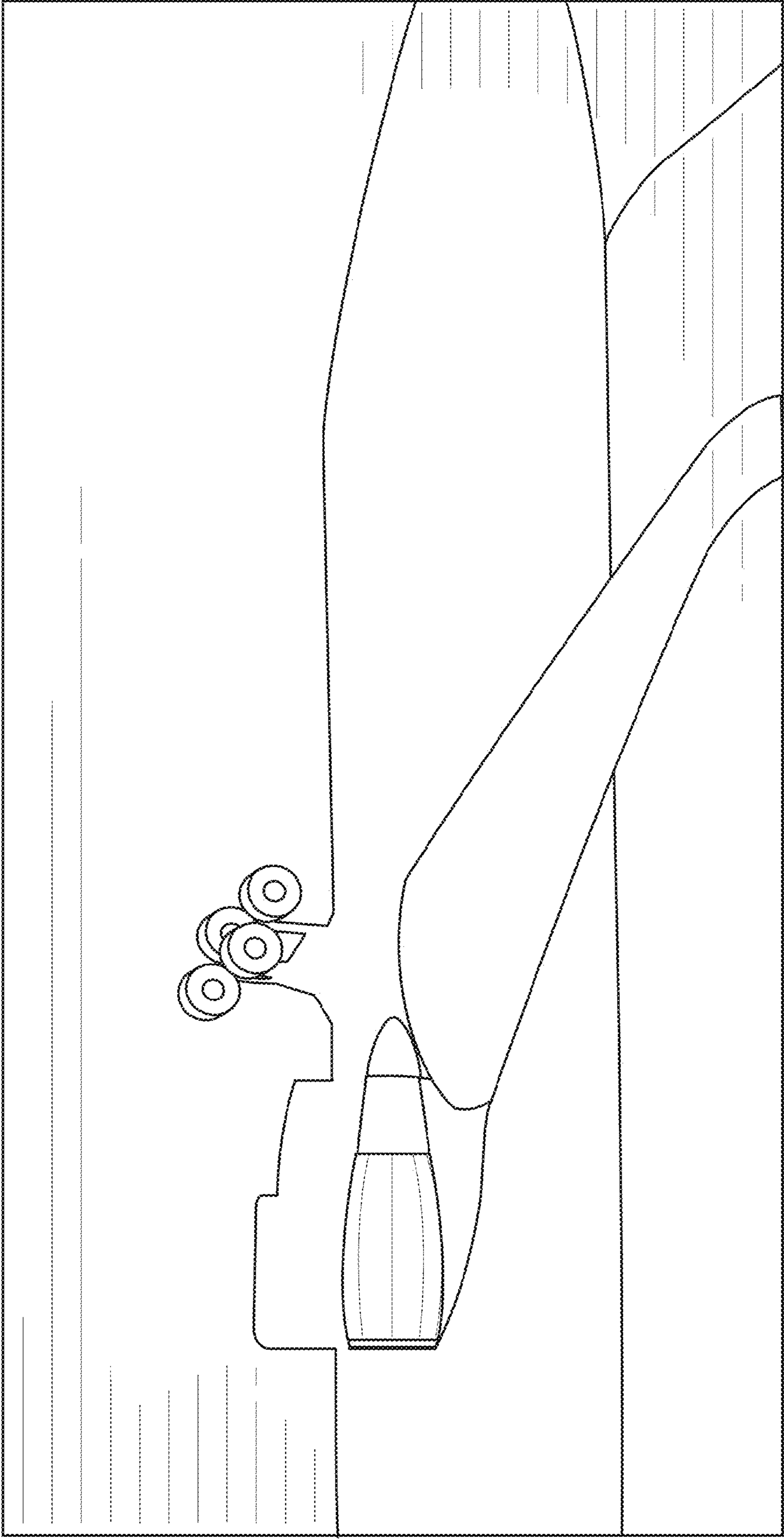


FIG. 13

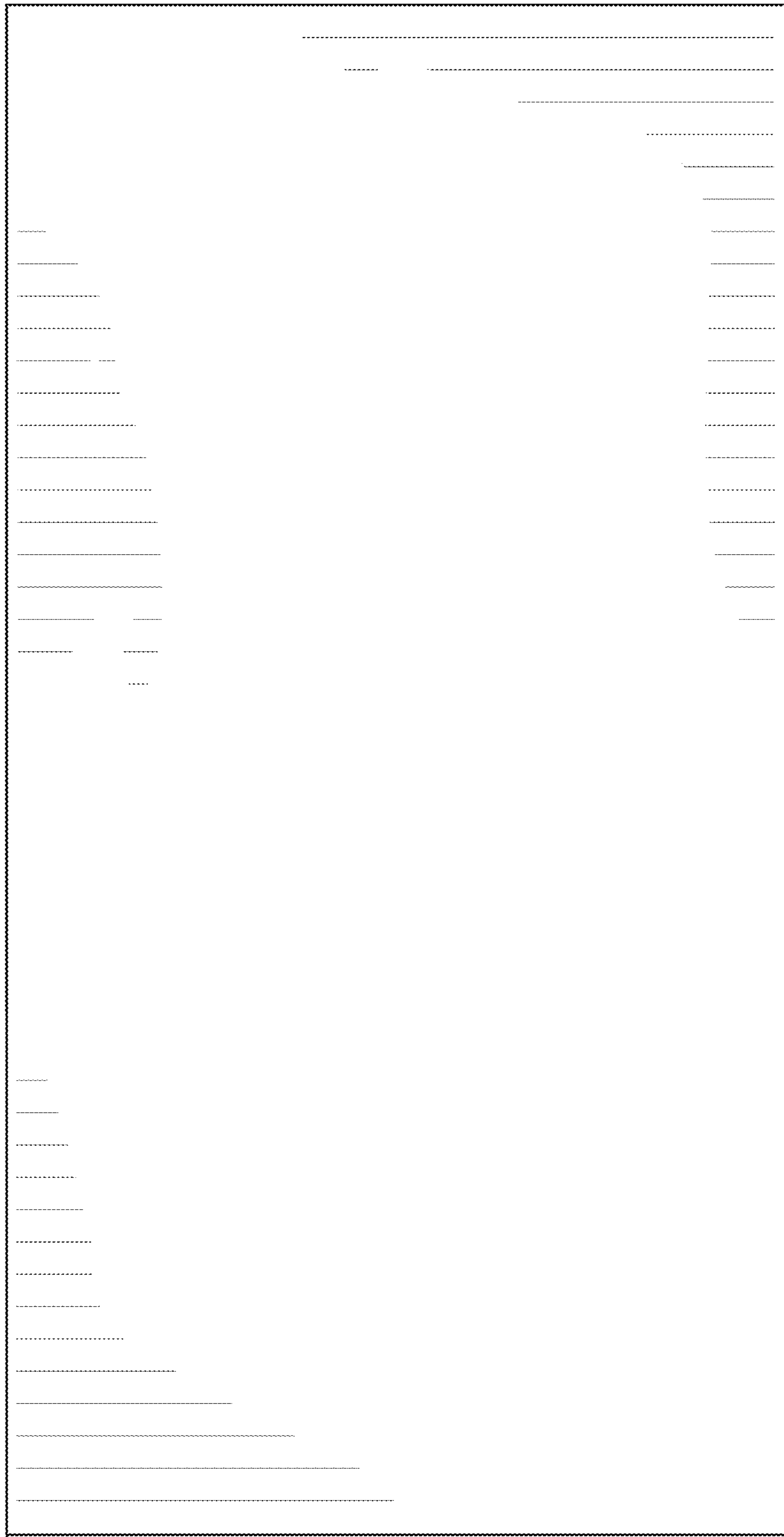


FIG. 14