



US00D891933S

(12) **United States Design Patent** (10) **Patent No.:** **US D891,933 S**
LaRosa (45) **Date of Patent:** **** Aug. 4, 2020**

(54) **EASY ACCESS CONTAINER**

(71) Applicant: **John LaRosa**, Fort Worth, TX (US)

(72) Inventor: **John LaRosa**, Fort Worth, TX (US)

(**) Term: **15 Years**

(21) Appl. No.: **29/691,155**

(22) Filed: **May 14, 2019**

(51) **LOC (12) Cl.** **09-01**

(52) **U.S. Cl.**
 USPC **D9/550**

(58) **Field of Classification Search**
 USPC D3/201, 218, 273, 274, 294, 295, 208,
 D3/212, 302, 266; D14/217, 221, 223,
 D14/496; D9/504, 550, 537
 CPC A45C 13/002; A45C 2011/001; H04R
 1/1025; B65D 81/3211; B65D 1/04
 See application file for complete search history.

2003/0192894 A1* 10/2003 Munns B65D 1/04
 220/505

2007/0138176 A1 6/2007 Gawlick

2008/0035646 A1 2/2008 Smith

2008/0179334 A1* 7/2008 Abramson B65D 81/3211
 220/568

2011/0186585 A1* 8/2011 Lu B65D 41/04
 220/575

2019/0039782 A1* 2/2019 Campbell B65D 41/04

OTHER PUBLICATIONS

Yanko Design, "Must Get Every Last Bit Out", Published May 14, 2008. (<https://www.yankodesign.com/2008/05/14/must-get-every-last-bit-out/>) (Year: 2008).*

(Continued)

Primary Examiner — April Rivas
 (74) *Attorney, Agent, or Firm* — Boudwin Intellectual Property; Daniel Boudwin

(57) **CLAIM**

The ornamental design for an easy access container, as shown and described.

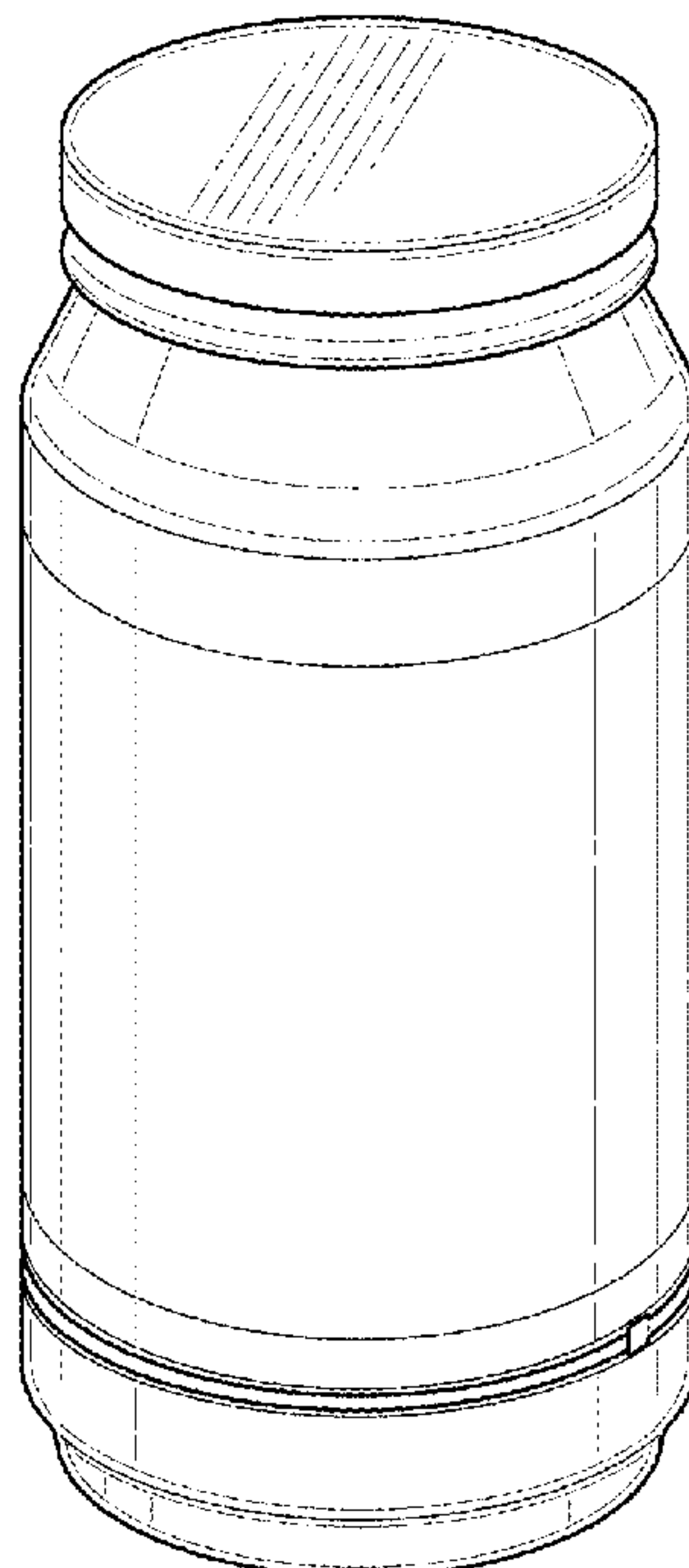
DESCRIPTION

FIG. 1 shows a perspective view of an easy access container. FIG. 2 shows a front view of the easy access container. FIG. 3 shows a rear view of the easy access container. FIG. 4 shows a right side view of the easy access container. FIG. 5 shows a left side view of the easy access container. FIG. 6 shows a top plan view of the easy access container; and, FIG. 7 shows a bottom plan view of the easy access container. The shade lines in the Figures show contour and not surface ornamentation.

(56) **References Cited**
 U.S. PATENT DOCUMENTS

2,753,075	A	7/1956	Nelson	
D246,029	S *	10/1977	Lynn	D9/780
4,778,068	A	10/1988	Kohus	
6,276,547	B1	8/2001	Petryna	
D557,994	S *	12/2007	Wahl	D7/608
D605,529	S *	12/2009	Holtrop	D9/454
D660,084	S *	5/2012	Gilbert	D7/510
8,573,425	B1 *	11/2013	Park	B65D 11/04 220/295
D742,699	S *	11/2015	Boroski	D7/608
D828,113	S *	9/2018	Fleischhut	D7/608
D871,856	S *	1/2020	Fleischhut	D7/608
2002/0130126	A1 *	9/2002	Rosenberg	B65D 21/083 220/4.26

1 Claim, 4 Drawing Sheets



(56)

References Cited

OTHER PUBLICATIONS

Double-Sided, "Double-Sided Products", Cached on Sep. 22, 2015.
(<http://double-sided.weebly.com/products.html>) (Year: 2015).*

Box vox, "3 years of double ended peanut butter jars", Published
Dec. 10, 2015. (<https://beachpackagingdesign.com/boxvox/3-years-of-double-ended-peanut-butter-jars>) (Year: 2015).*

* cited by examiner

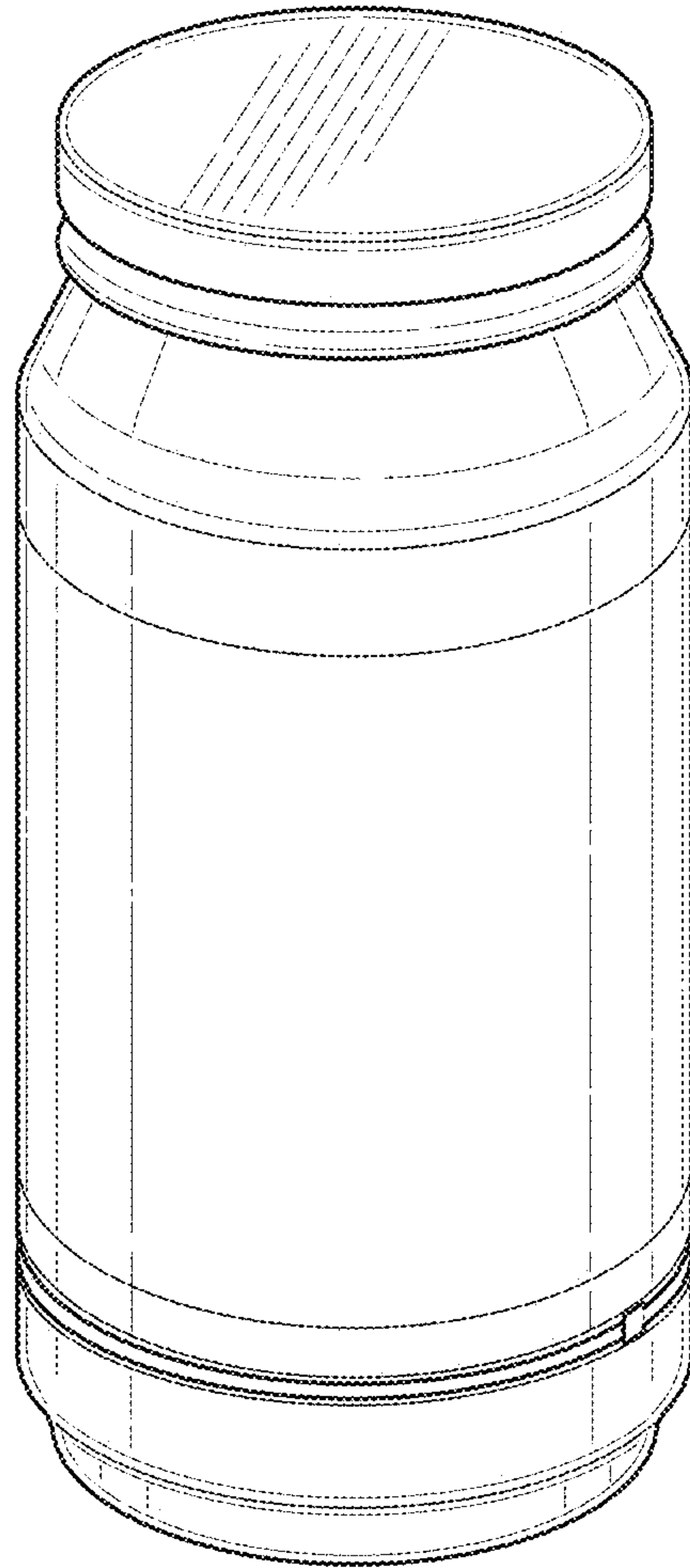


FIG. 1

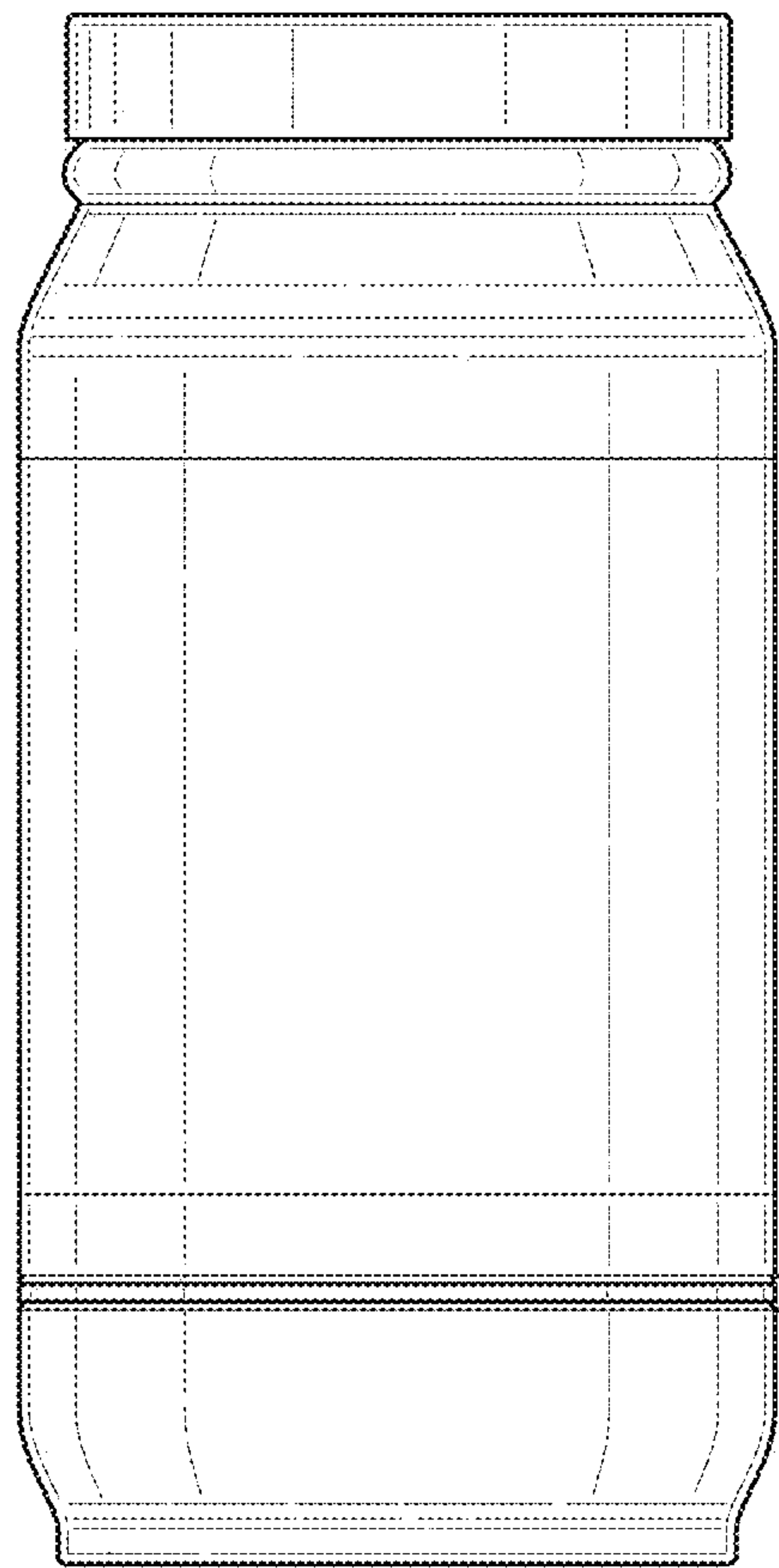


FIG. 2

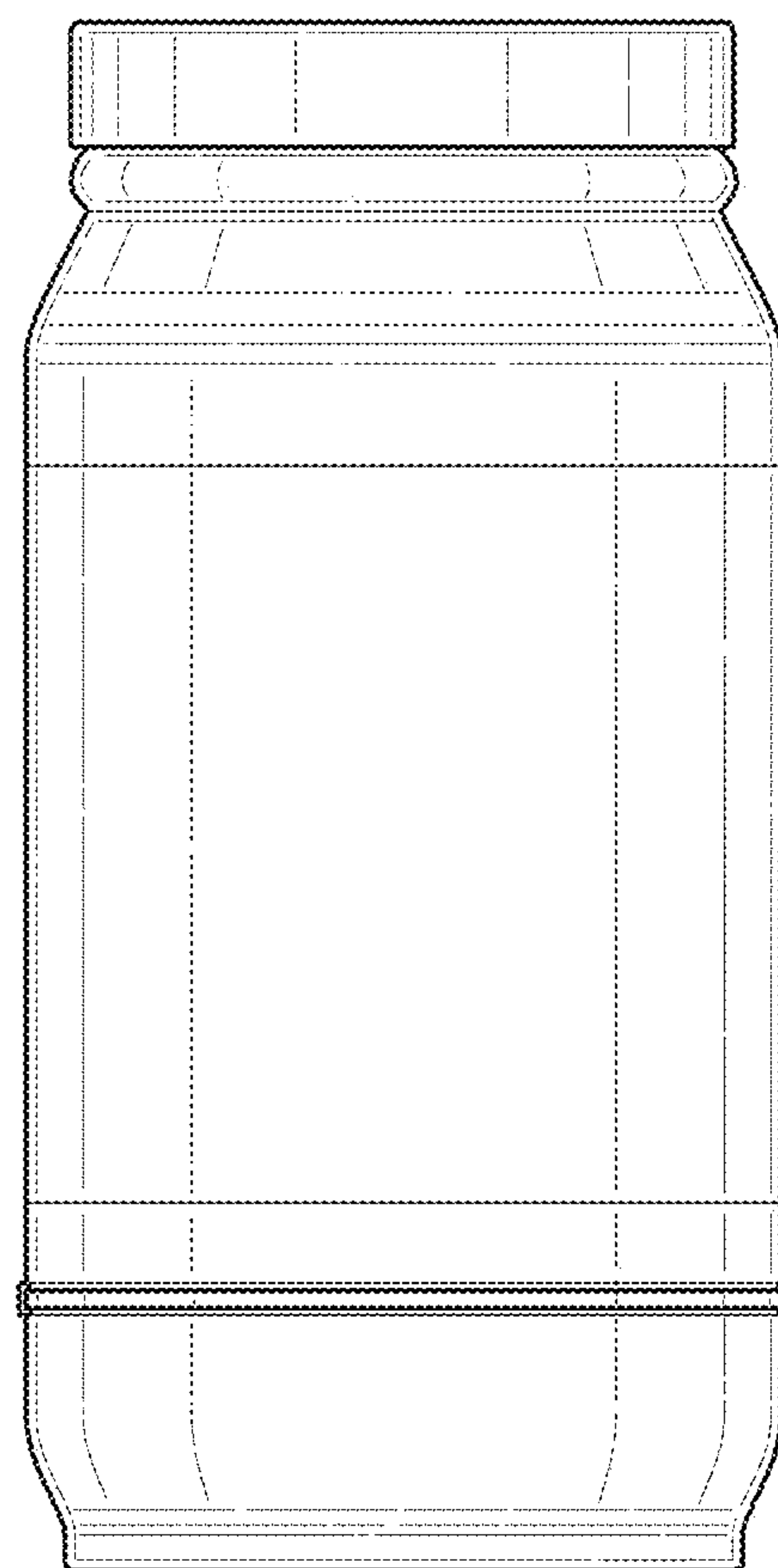


FIG. 3

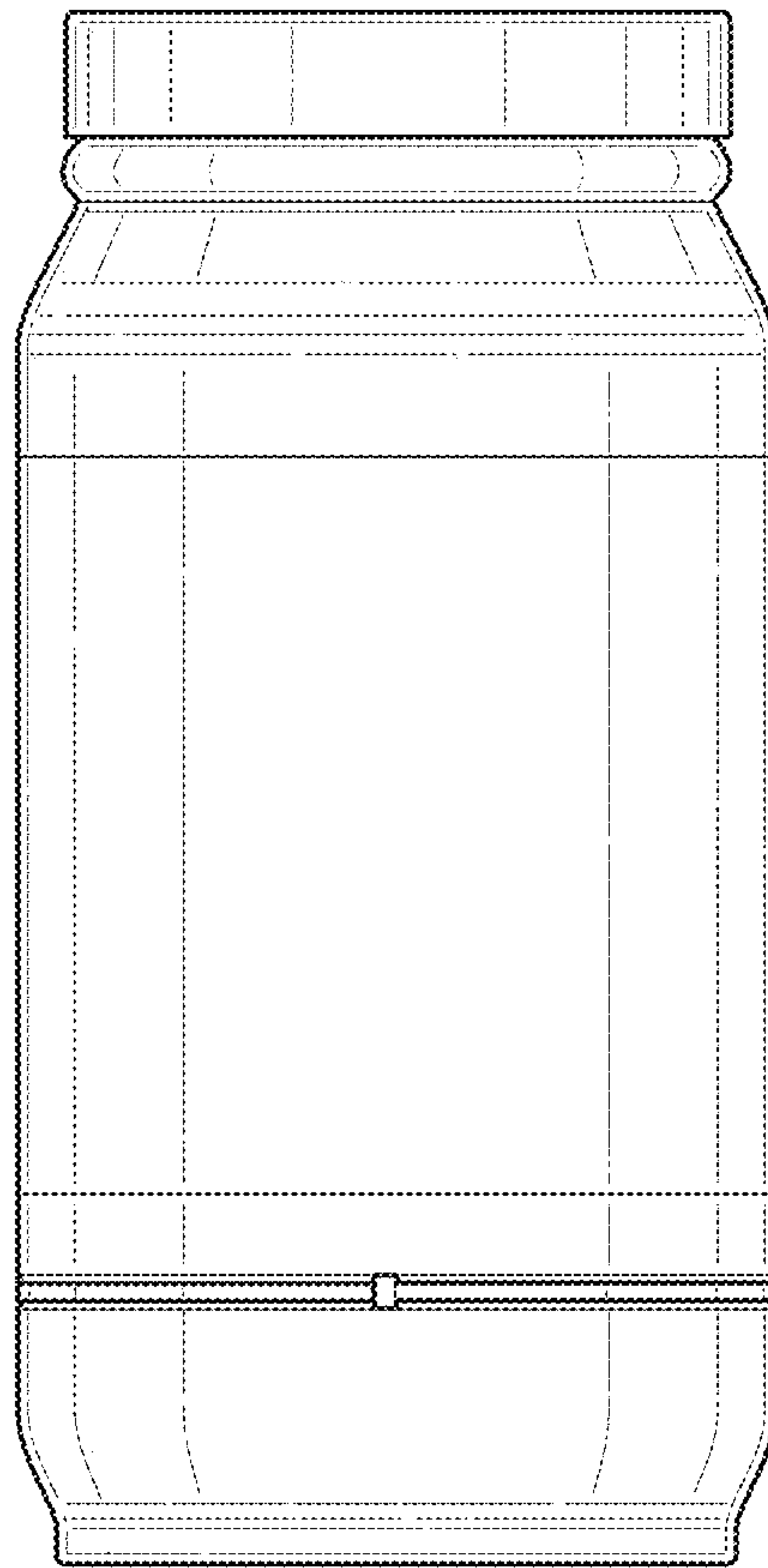


FIG. 4

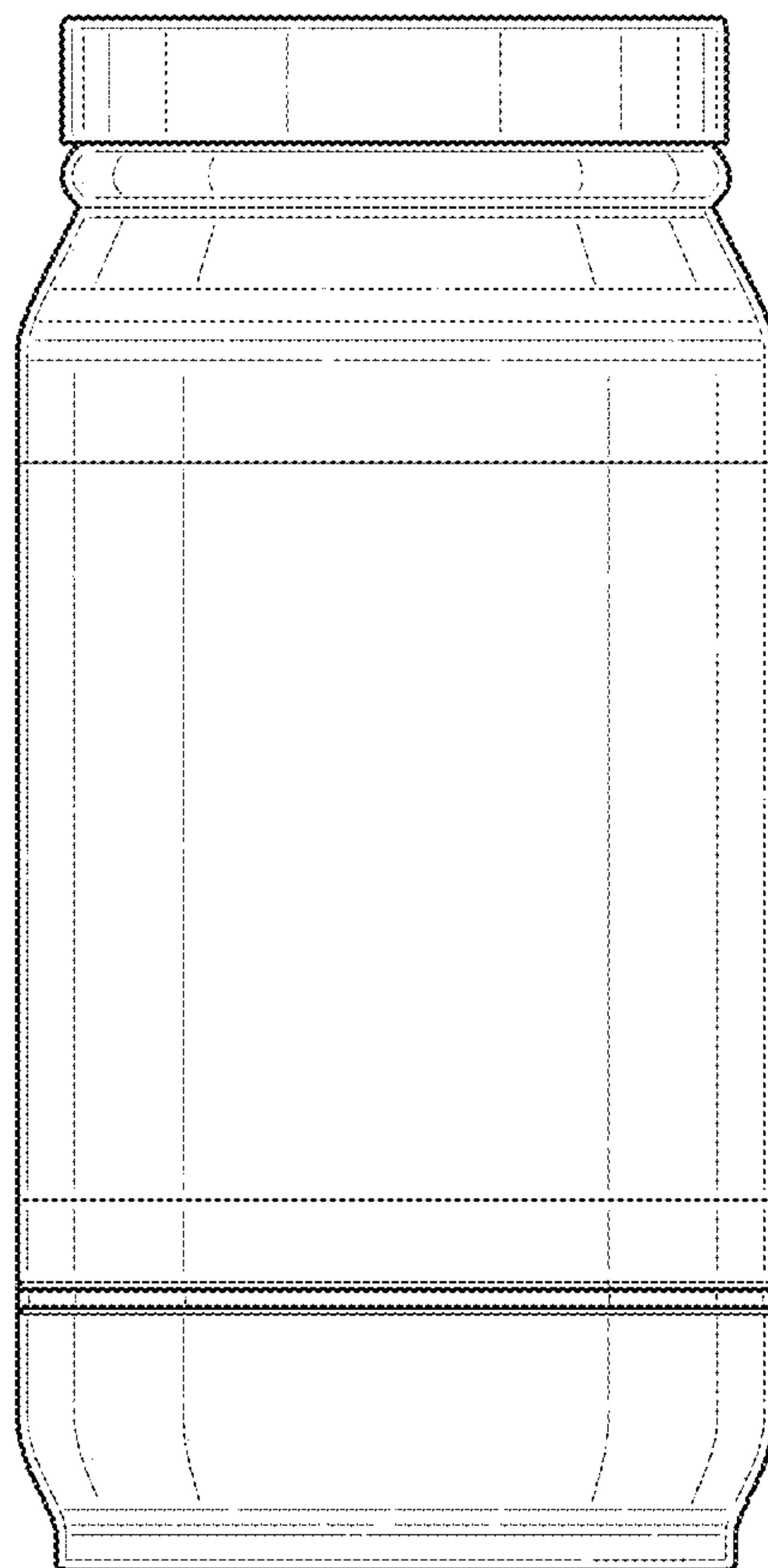


FIG. 5

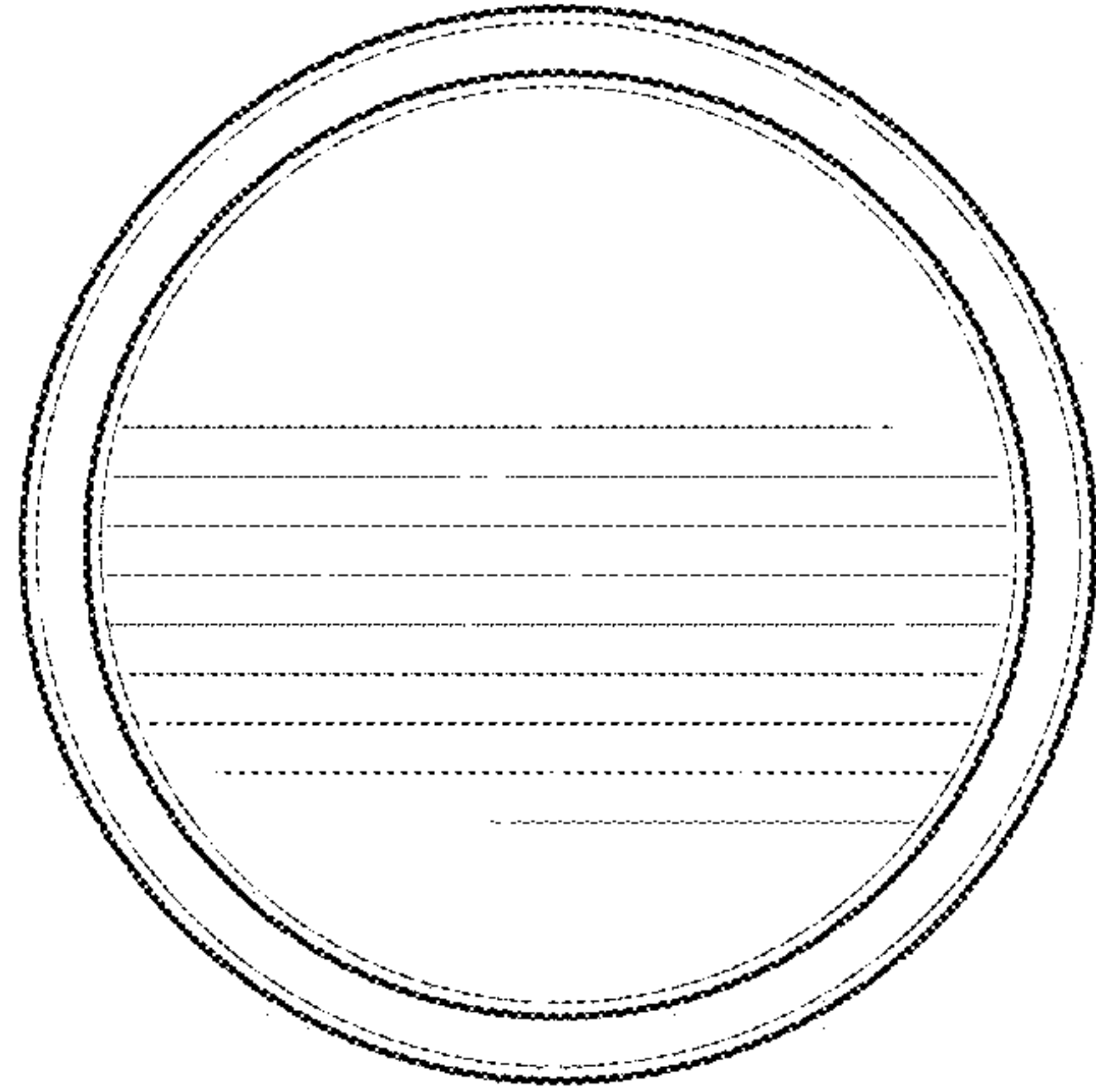


FIG. 6

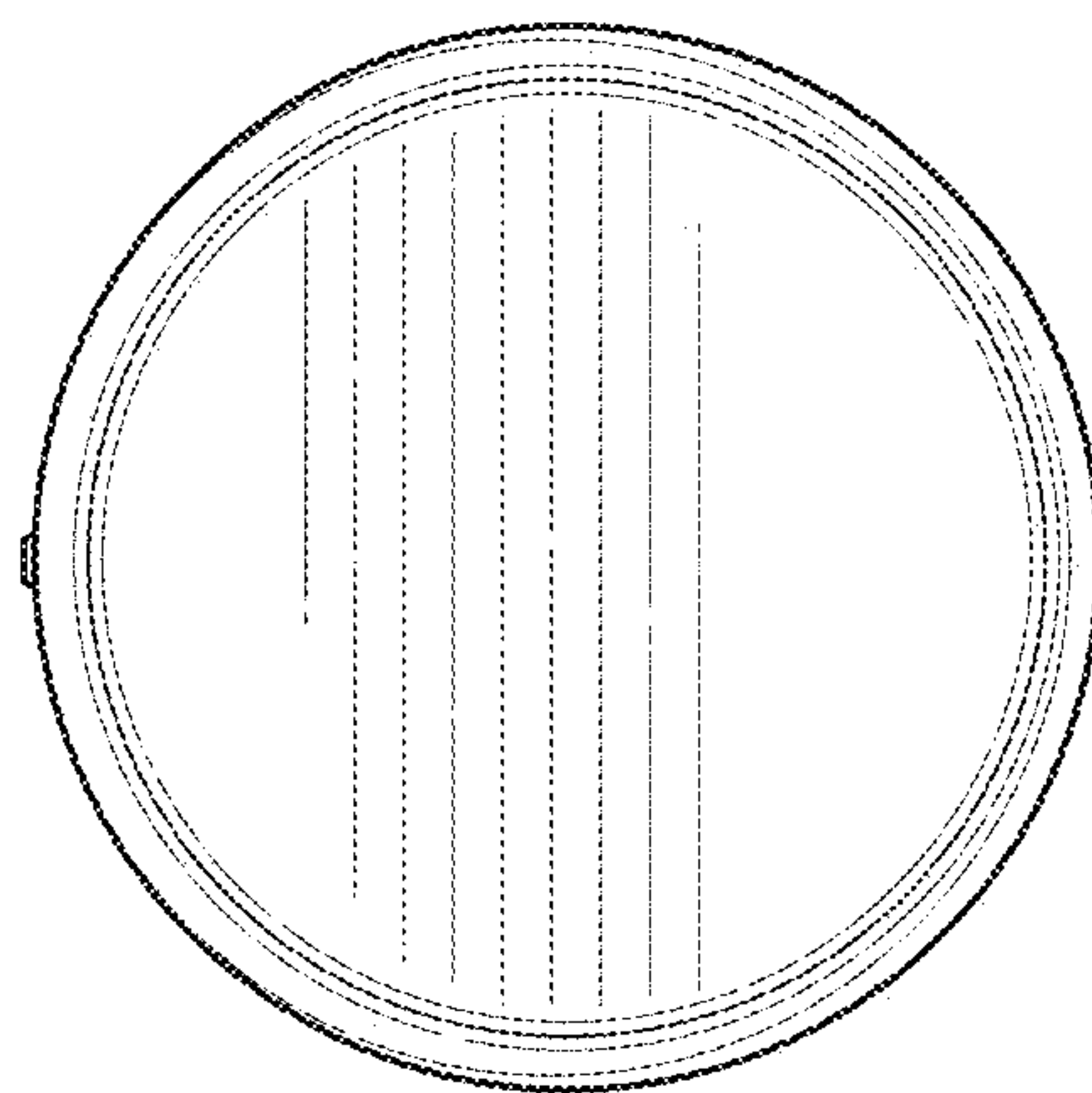


FIG. 7