



US00D891932S

(12) **United States Design Patent**
Galvez

(10) **Patent No.:** **US D891,932 S**

(45) **Date of Patent:** **** Aug. 4, 2020**

(54) **PERFUME BOTTLE**

(71) Applicant: **PUIG FRANCE, Société par Actions Simplifiée**, Paris (FR)

(72) Inventor: **Jean-Marc Galvez**, Suresnes (FR)

(73) Assignee: **PUIG FRANCE, Societe par Actions Simplifiee**, Paris (FR)

(**) Term: **15 Years**

(21) Appl. No.: **29/619,800**

(22) Filed: **Oct. 2, 2017**

(51) **LOC (12) Cl.** **09-01**

(52) **U.S. Cl.**
USPC **D9/544; D9/575**

(58) **Field of Classification Search**
USPC D9/435-436, 439, 451, 516, 522,
D9/543-546, 549, 550, 552, 575, 632,
D9/715, 719; D28/91.1; D3/202;
D7/300, 598
CPC B65D 2501/0081; B65D 1/02; B65D
1/0223; B65D 1/40
See application file for complete search history.

(56) **References Cited**

U.S. PATENT DOCUMENTS

D76,142 S	8/1928	Liddell	
D81,633 S	7/1930	De Wagner	
D90,558 S	8/1933	Tricard	
D107,966 S	1/1938	McIntosh	
D141,775 S	7/1945	Buckingham	
D235,735 S	7/1975	Dinand	
D259,173 S	5/1981	Lauren	
D283,397 S *	4/1986	Monod	D9/545
D288,782 S *	3/1987	Monod	D9/545
D290,089 S *	6/1987	Heriart-Dubreuil	D7/300
D309,101 S *	7/1990	Gardere	D7/300
D311,491 S *	10/1990	Bompard	D9/519
D333,429 S *	2/1993	Koytuk	D9/545

D357,632 S *	4/1995	Dinand	D9/452
D461,118 S *	8/2002	Tseng	D9/632
D516,917 S	3/2006	Baron	
D519,844 S	5/2006	Mansau	
D542,144 S	5/2007	Herrmann	
D542,670 S	5/2007	Herrmann	

(Continued)

FOREIGN PATENT DOCUMENTS

AU	321162	9/2008
AU	330201	4/2010

(Continued)

OTHER PUBLICATIONS

www.pacorabanne.com, Olympéa Aqua, Intense, by Paco Rabanne (5 pages).

(Continued)

Primary Examiner — Shannon W Morgan
Assistant Examiner — Keith Frank
(74) *Attorney, Agent, or Firm* — FisherBroyles, LLP;
Jason M. Pass

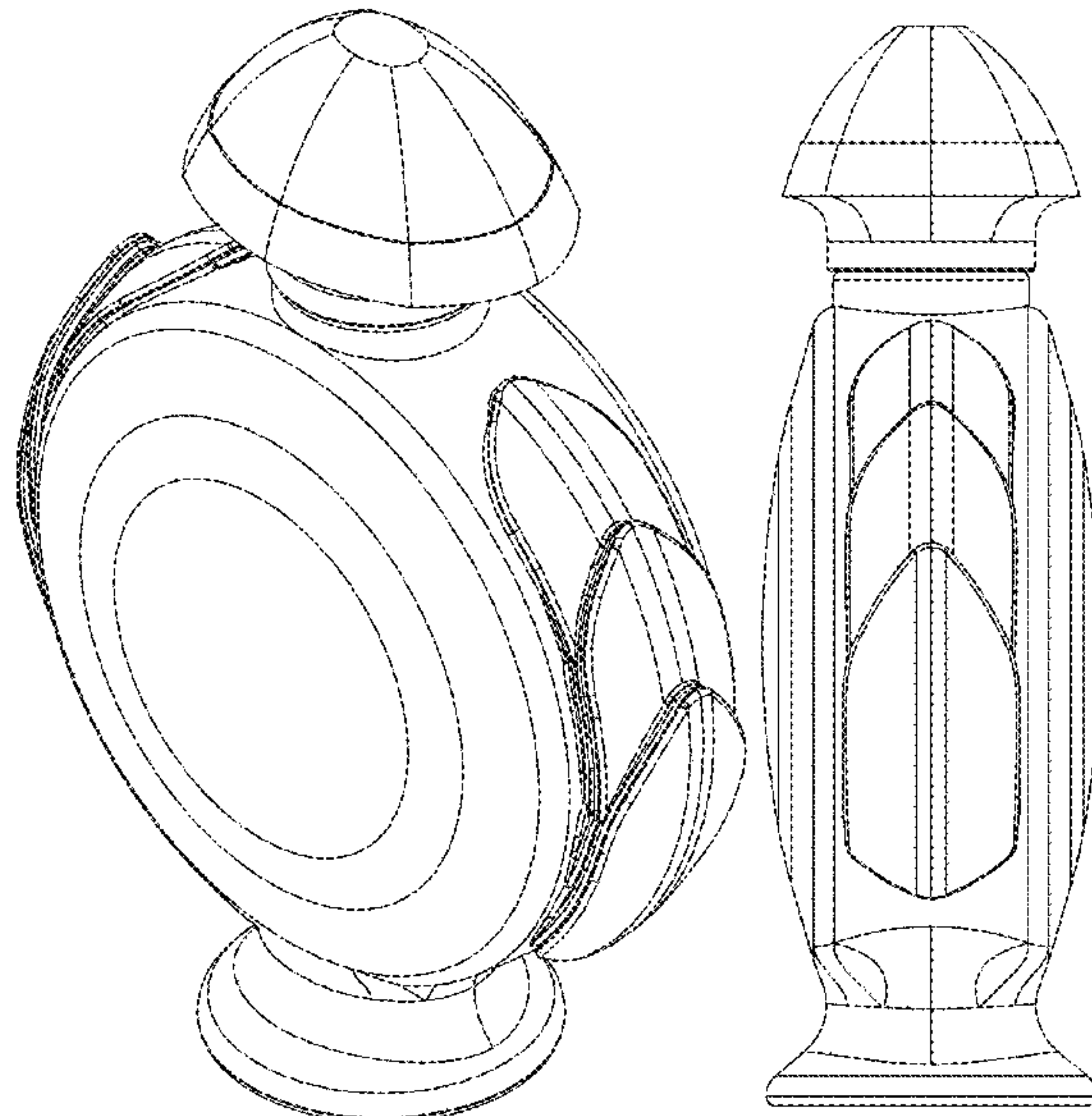
(57) **CLAIM**

The ornamental design for a perfume bottle, as shown and described.

DESCRIPTION

FIG. 1 is a perspective view of a perfume bottle showing my new design;
FIG. 2 is a front view of the perfume bottle of FIG. 1;
FIG. 3 is a top view of the perfume bottle of FIG. 1;
FIG. 4 is a bottom view of the perfume bottle of FIG. 1; and,
FIG. 5 is a side view of the perfume bottle of FIG. 1.
The broken lines in the drawings showing the perfume bottle illustrate the portions of the perfume bottle that form no part of the claimed design.

1 Claim, 5 Drawing Sheets



(56)

References Cited

U.S. PATENT DOCUMENTS

D604,162 S	*	11/2009	Navarro	D9/451
D604,174 S		11/2009	Rica	
D606,415 S		12/2009	Lavigne et al.	
D625,612 S		10/2010	Papiernik	
D642,064 S	*	7/2011	Sutton	D9/454
D644,110 S	*	8/2011	Jagger	D9/435
D668,548 S	*	10/2012	Habtegabriel	D9/611
D678,074 S		3/2013	De France	
D693,693 S	*	11/2013	Sanchez	D7/300
D704,565 S	*	5/2014	Humm	D9/545
D705,074 S		5/2014	Della Valle	
D717,176 S		11/2014	Gomez	
D797,564 S	*	9/2017	Penn	D9/454
D806,550 S	*	1/2018	DeMarco	D9/542
D813,041 S	*	3/2018	Staab	D9/522
D824,262 S	*	7/2018	Staab	D9/542
D829,562 S	*	10/2018	Von Drachenberg	D9/626
D834,421 S	*	11/2018	Aebi	D9/519
D837,507 S	*	1/2019	Shelton	D3/208

FOREIGN PATENT DOCUMENTS

AU		354954		4/2014
CA		103628 S		12/2004

CA		121599 S		2/2008
CA		126138 S		6/2009
CA		155542 S		11/2014
CL		201000203		10/2010
CL		201000674		12/2010
CL		201402699		5/2015
CL		201402659		8/2015
CL		201402698		8/2015
EM		000324553-0001		4/2005
EM		001027908-0001		10/2008
EM		002226001-0001		4/2013
EM		002440842-0001		4/2014
EM		002440842-0002		4/2014
EM		002443671-0001		4/2014
EM		002443671-0002		4/2014
EM		003833920-0001		3/2017
WO		DM/070181		5/2008
WO		DM/083111		3/2014

OTHER PUBLICATIONS

Olimpea Instagram, accessed May 31, 2019, *Olympéa Eau De Parfum*, by Paco Rabanne (7 pages).
<https://www.pacorabanne.com/uk/en/fragrances/olympéa/olympéa-intense>, accessed May 31, 2019 (7 pages).

* cited by examiner

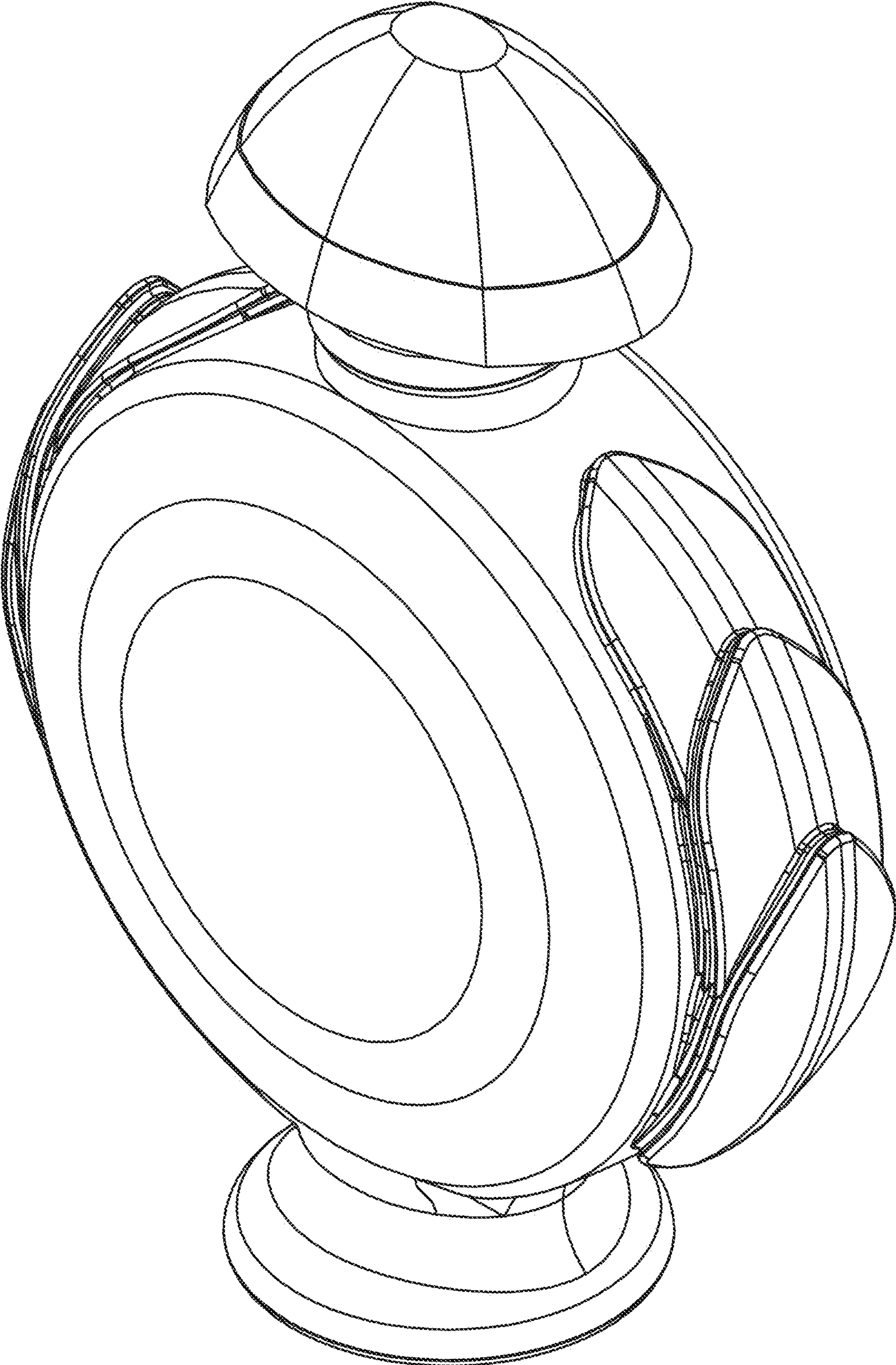


FIG. 1

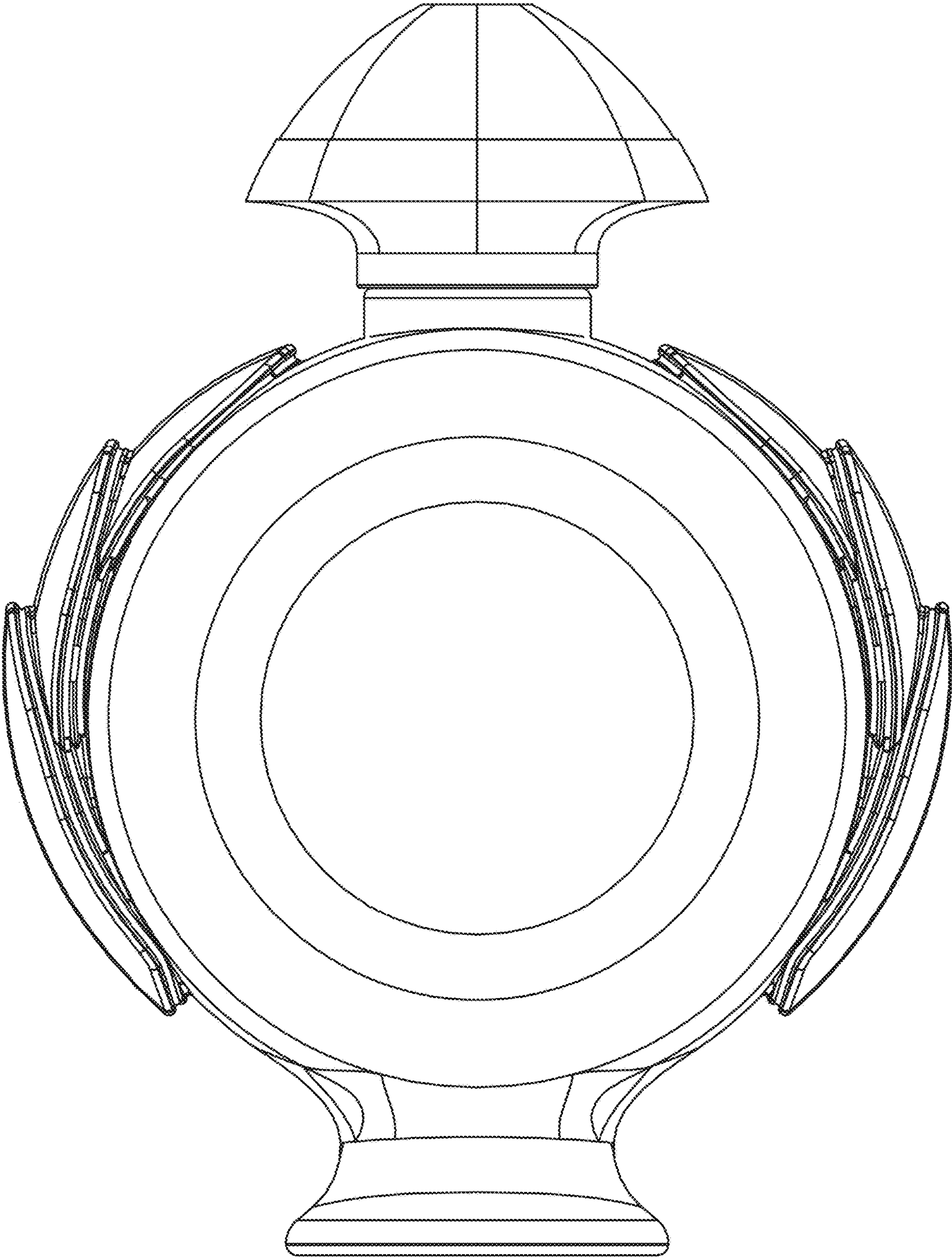


FIG. 2

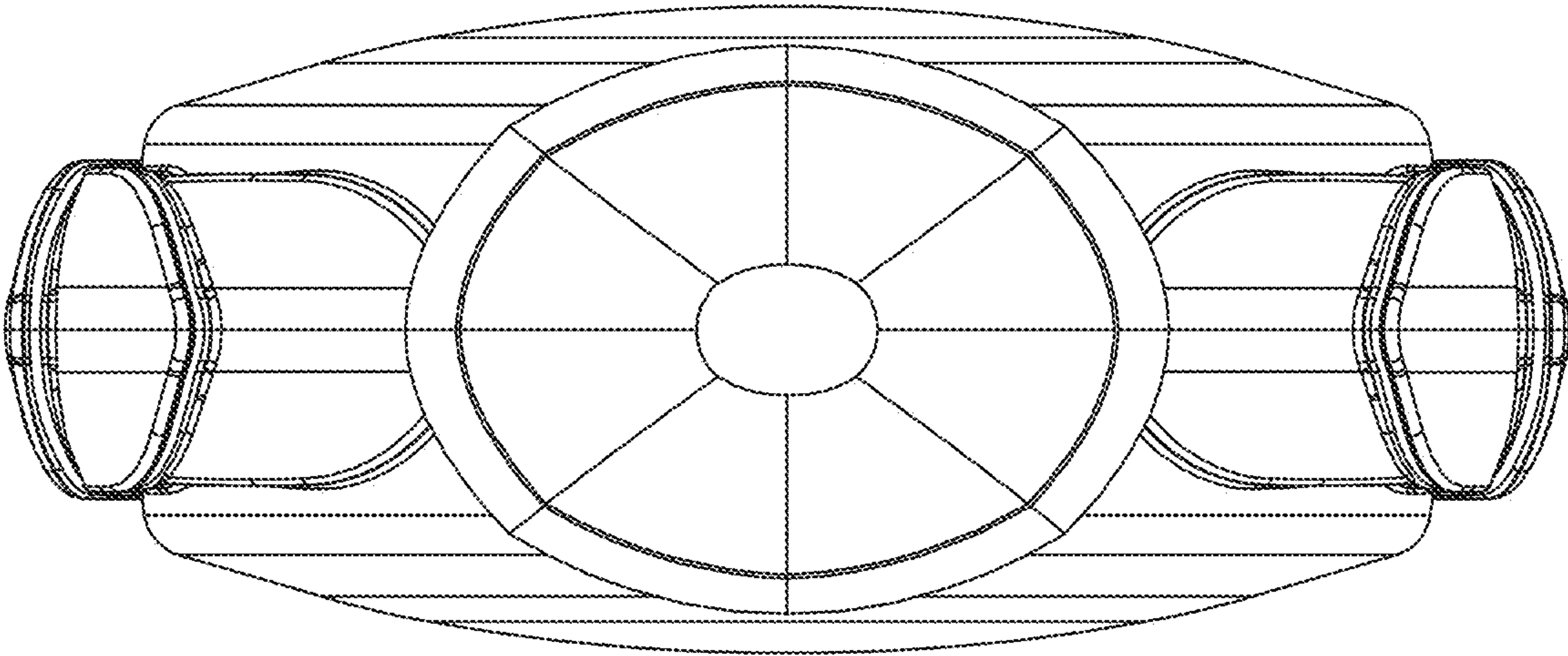


FIG. 3

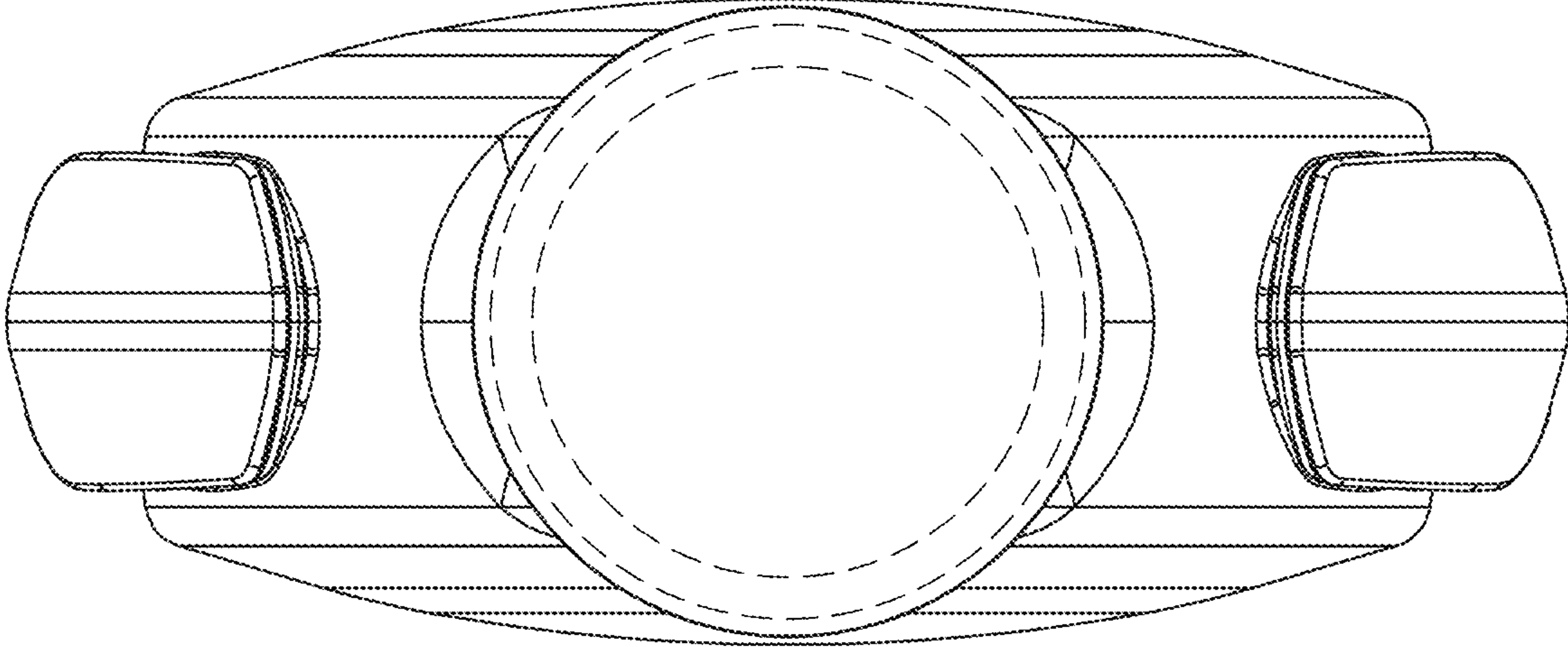


FIG. 4

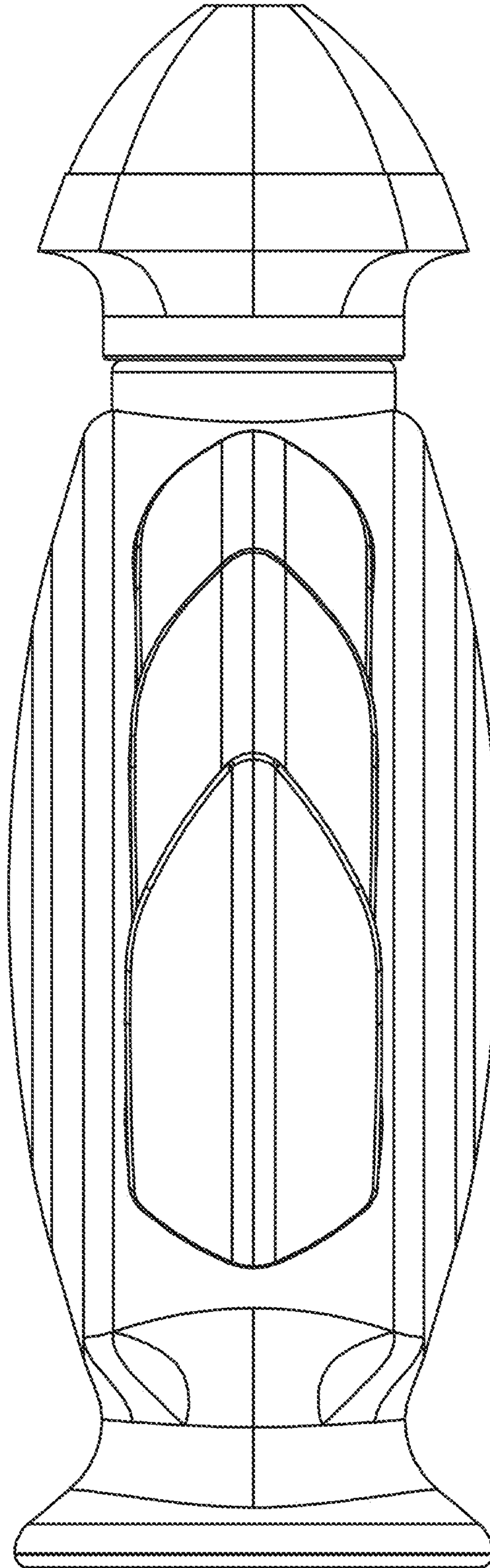


FIG. 5