



US00D891931S

(12) **United States Design Patent** (10) **Patent No.:** **US D891,931 S**  
**Tidwell et al.** (45) **Date of Patent:** **\*\* Aug. 4, 2020**

(54) **JAR**  
(71) Applicants: **Justin Tidwell**, Brea, CA (US);  
**William Tidwell**, Brea, CA (US)  
(72) Inventors: **Justin Tidwell**, Brea, CA (US);  
**William Tidwell**, Brea, CA (US)

D578,891 S 10/2008 Puigbo  
7,448,767 B2 \* 11/2008 Zhang ..... A45D 34/045  
362/118  
D634,202 S 3/2011 Zamberlan et al.  
D635,030 S 3/2011 L'Abbate  
D638,300 S 5/2011 L'Abbate  
(Continued)

(\*\*) Term: **15 Years**

FOREIGN PATENT DOCUMENTS

(21) Appl. No.: **29/644,423**

CN 301921442 5/2012  
CN 303603019 3/2016

(22) Filed: **Apr. 17, 2018**

OTHER PUBLICATIONS

(51) **LOC (12) Cl.** ..... **09-01**

(52) **U.S. Cl.**  
USPC ..... **D9/529**; D9/560; D9/574

Pollen Gear, <https://www.pollengear.com/glass-packaging/>, retrieved Apr. 10, 208.

(58) **Field of Classification Search**  
USPC ..... D9/432, 434-436, 452, 516, 529, 544,  
D9/546, 559, 560, 564, 565, 570-575,  
D9/715, 719; D28/4, 7, 76, 83, 85  
CPC ..... B65D 21/0204; B65D 2501/0081  
See application file for complete search history.

*Primary Examiner* — Shannon W Morgan  
*Assistant Examiner* — Keith Frank  
(74) *Attorney, Agent, or Firm* — Buche & Associates,  
P.C.; John K. Buche; Bryce A. Johnson

(56) **References Cited**

(57) **CLAIM**

U.S. PATENT DOCUMENTS

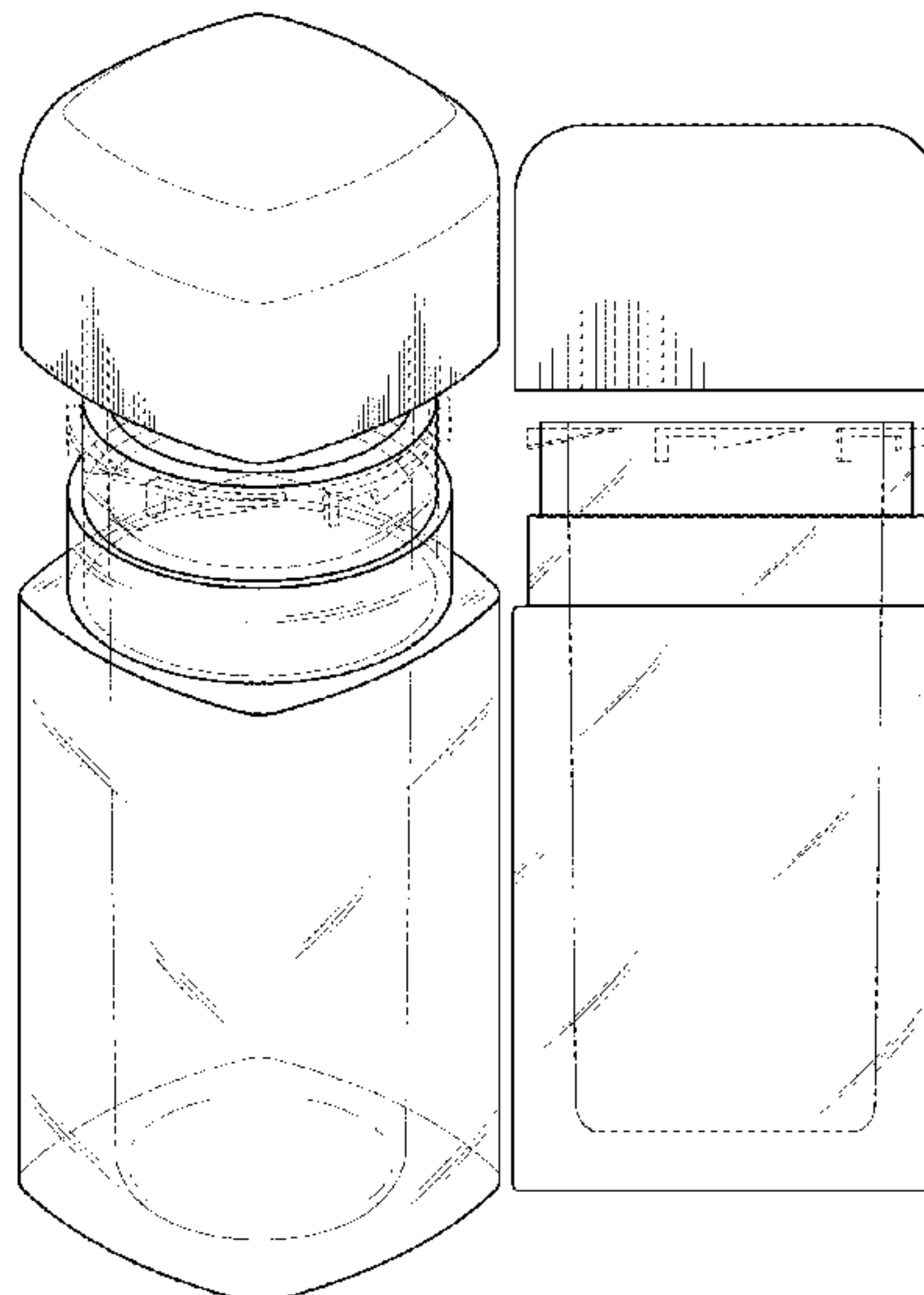
We claim the ornamental design for a jar, as shown and described.

D34,061 S	2/1901	Scattergood	
D65,326 S	7/1924	Cahalane	
2,076,551 A	4/1937	Conner	
2,077,215 A	4/1937	Conner	
2,077,216 A	4/1937	Conner	
2,711,766 A	6/1955	Archer et al.	
3,311,248 A	3/1967	Marchant	
D237,361 S	10/1975	Picker	
D441,284 S	5/2001	Saur et al.	
D462,144 S *	8/2002	Gaydon	D28/76
D471,324 S *	3/2003	Kalin	D28/77
D493,721 S	8/2004	Puigbo	
D506,128 S	6/2005	Foi	
D532,937 S *	11/2006	Noh	D28/76
D538,478 S *	3/2007	Chen	D28/85
D539,983 S *	4/2007	Nobuto	D28/85
D554,367 S	11/2007	Chou et al.	
D561,593 S *	2/2008	Gomez	D9/529
D571,219 S *	6/2008	McCoy	D9/544

**DESCRIPTION**

FIG. 1 is a perspective view of the jar showing our new design, with the top portion separated from the bottom; FIG. 2 is a left side elevation view thereof; FIG. 3 is a right side elevation view thereof; FIG. 4 is a front elevation view thereof; FIG. 5 is a rear elevation view thereof; FIG. 6 is a top plan view thereof; FIG. 7 is a bottom plan view thereof; and, FIG. 8 is a perspective view thereof with the top and bottom portions in the closed condition. Broken lines depict portions of the jar and form no part of the claimed design.

**1 Claim, 5 Drawing Sheets**



(56)

**References Cited**

U.S. PATENT DOCUMENTS

D641,257	S	7/2011	Rhiebaut et al.	
D644,108	S *	8/2011	Vila Calvo .....	D9/529
D668,143	S *	10/2012	Akana .....	D14/496
D709,379	S *	7/2014	Moretti .....	D9/529
D712,596	S *	9/2014	Lee .....	D28/77
D715,653	S *	10/2014	Lavigne .....	D9/529
D734,550	S *	7/2015	Schlatter .....	D28/83
D739,741	S	9/2015	Staab	
D744,166	S *	11/2015	Chertoff .....	D28/85
D744,167	S *	11/2015	Chertoff .....	D28/85
D766,093	S *	9/2016	Otani .....	D9/452
D781,151	S	3/2017	Lerman	
D785,458	S *	5/2017	Futagami .....	D9/529
D790,135	S *	6/2017	Macaluso .....	D28/85
D797,559	S	9/2017	Lerman	
D799,328	S *	10/2017	Canamasas Puigbo .....	D9/529
D799,754	S *	10/2017	Chertoff .....	D28/85
D800,566	S *	10/2017	Wieland .....	D9/529
D808,280	S *	1/2018	Nagata .....	D9/560
D833,879	S *	11/2018	Staab .....	D9/529
D842,613	S *	3/2019	Flynn .....	D4/108

\* cited by examiner

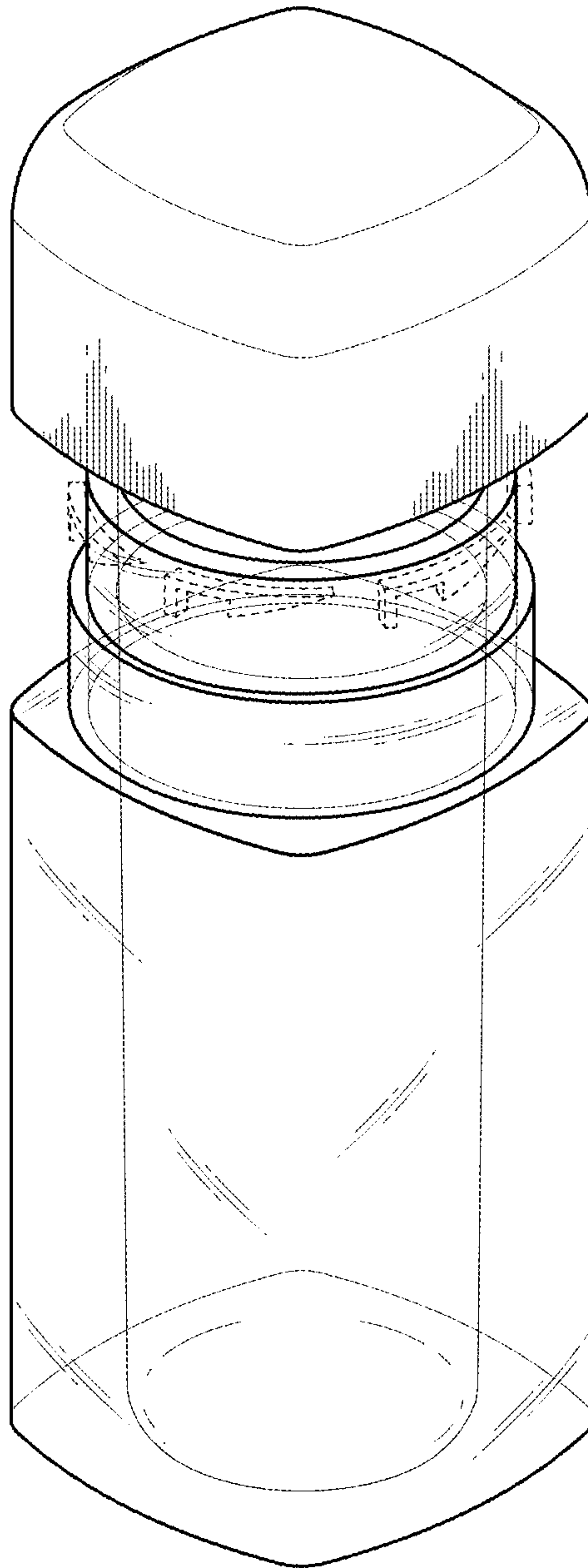


FIG. 1

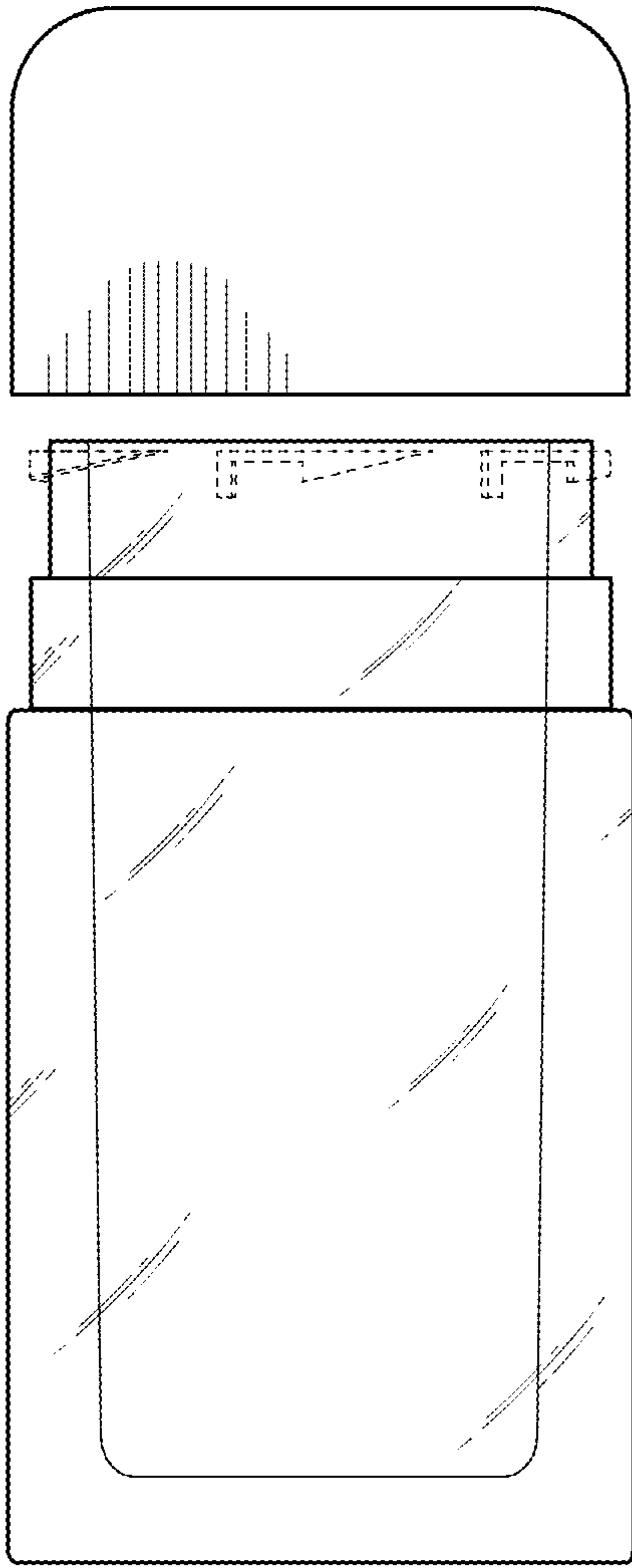


FIG. 2

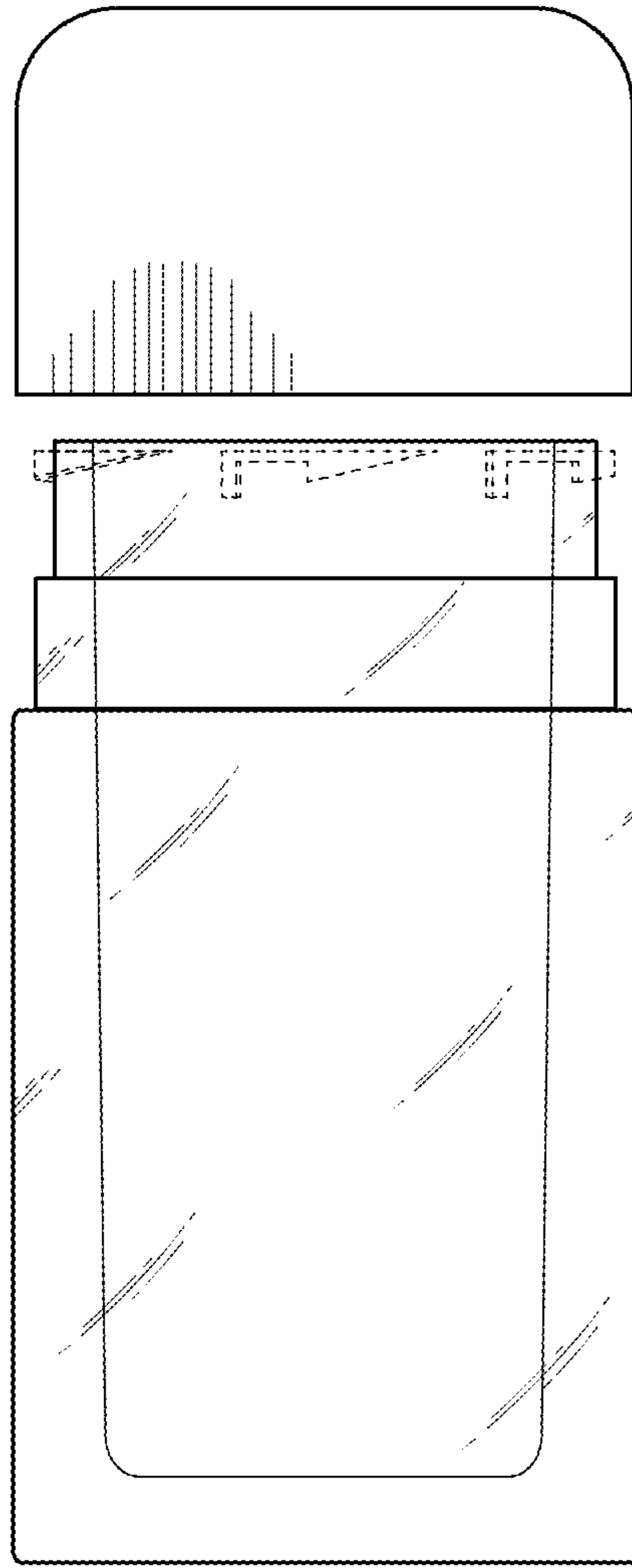


FIG. 3

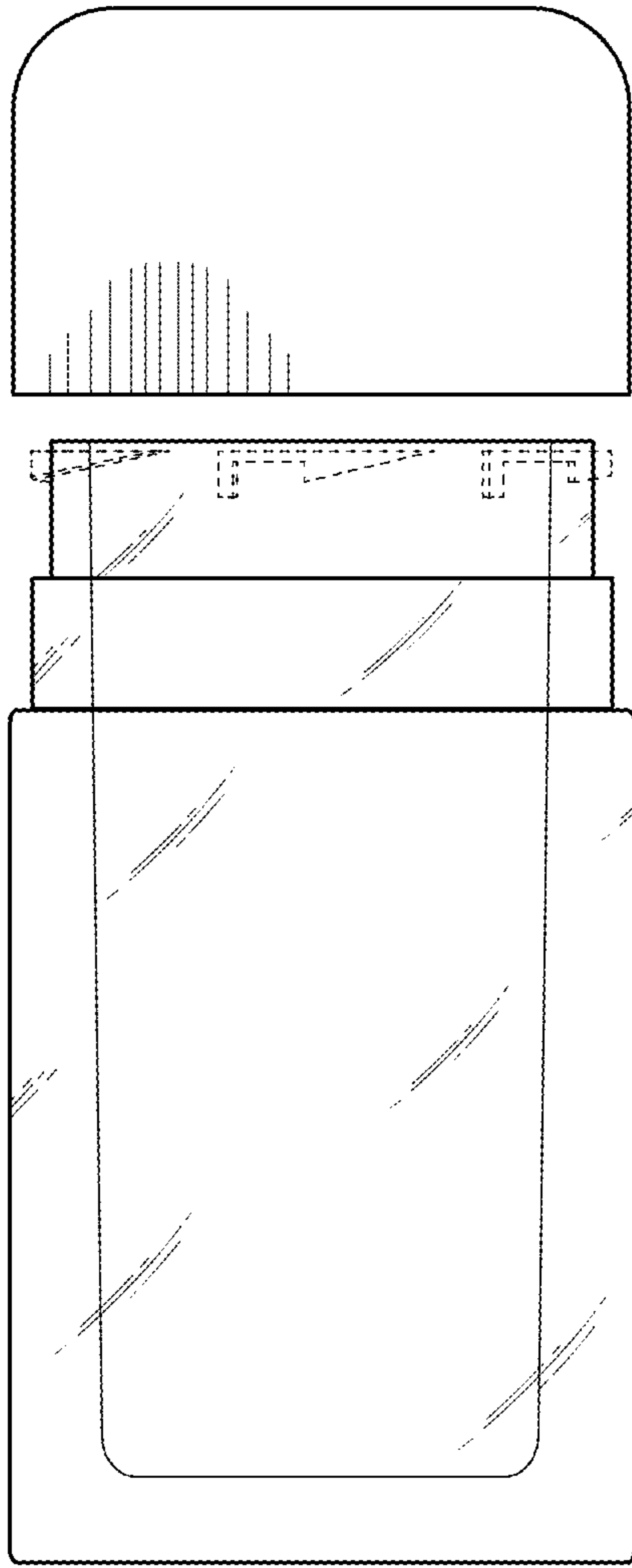


FIG. 4

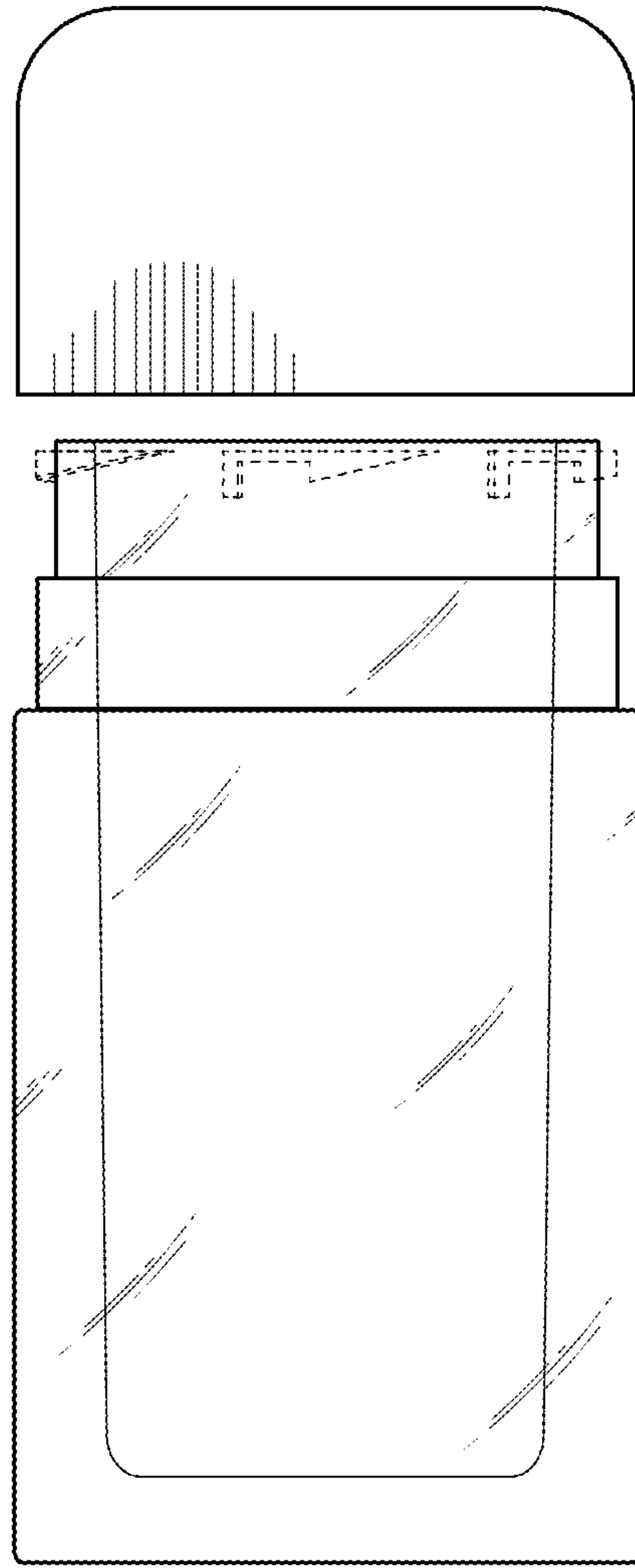


FIG. 5

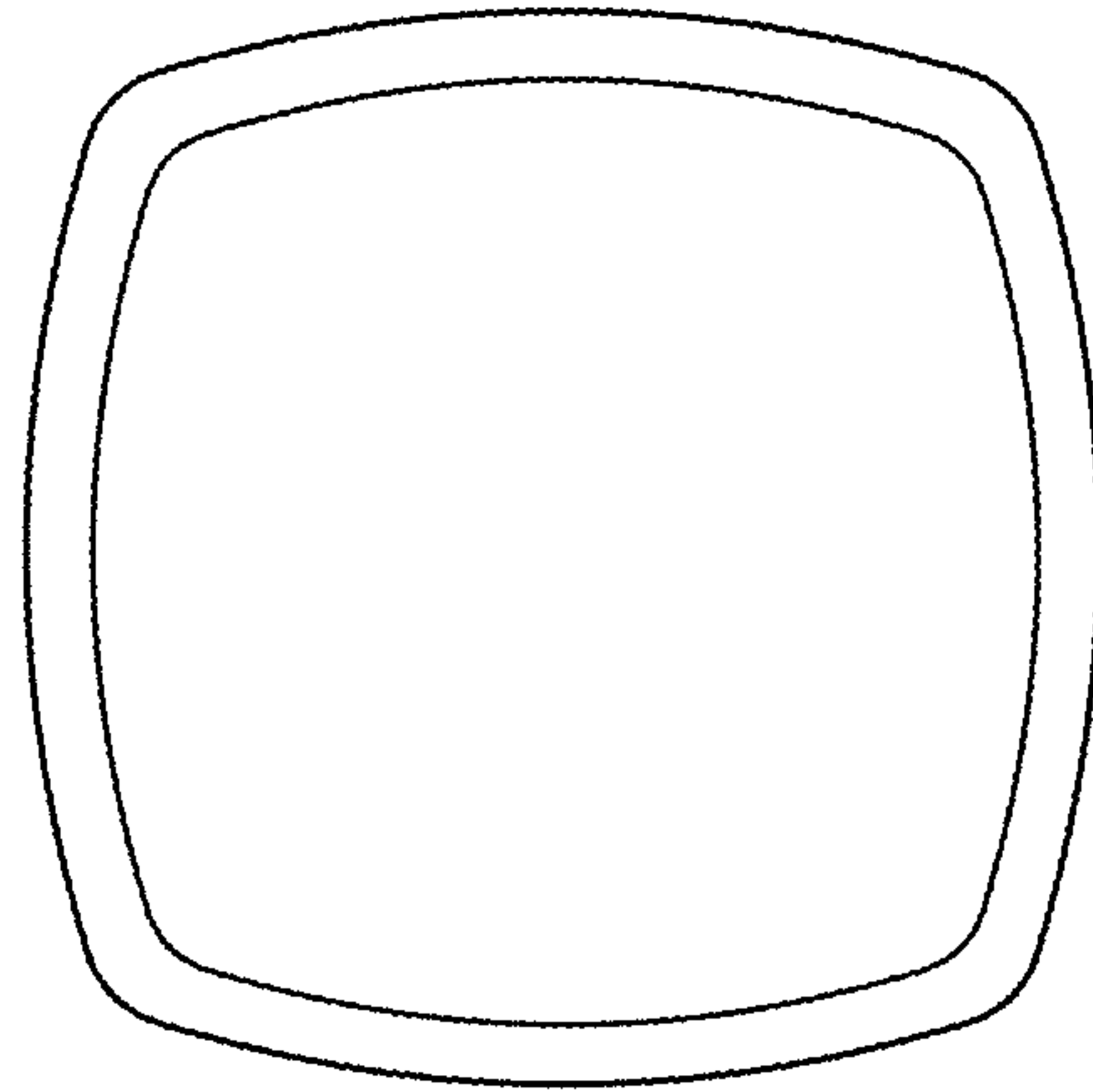


FIG. 6

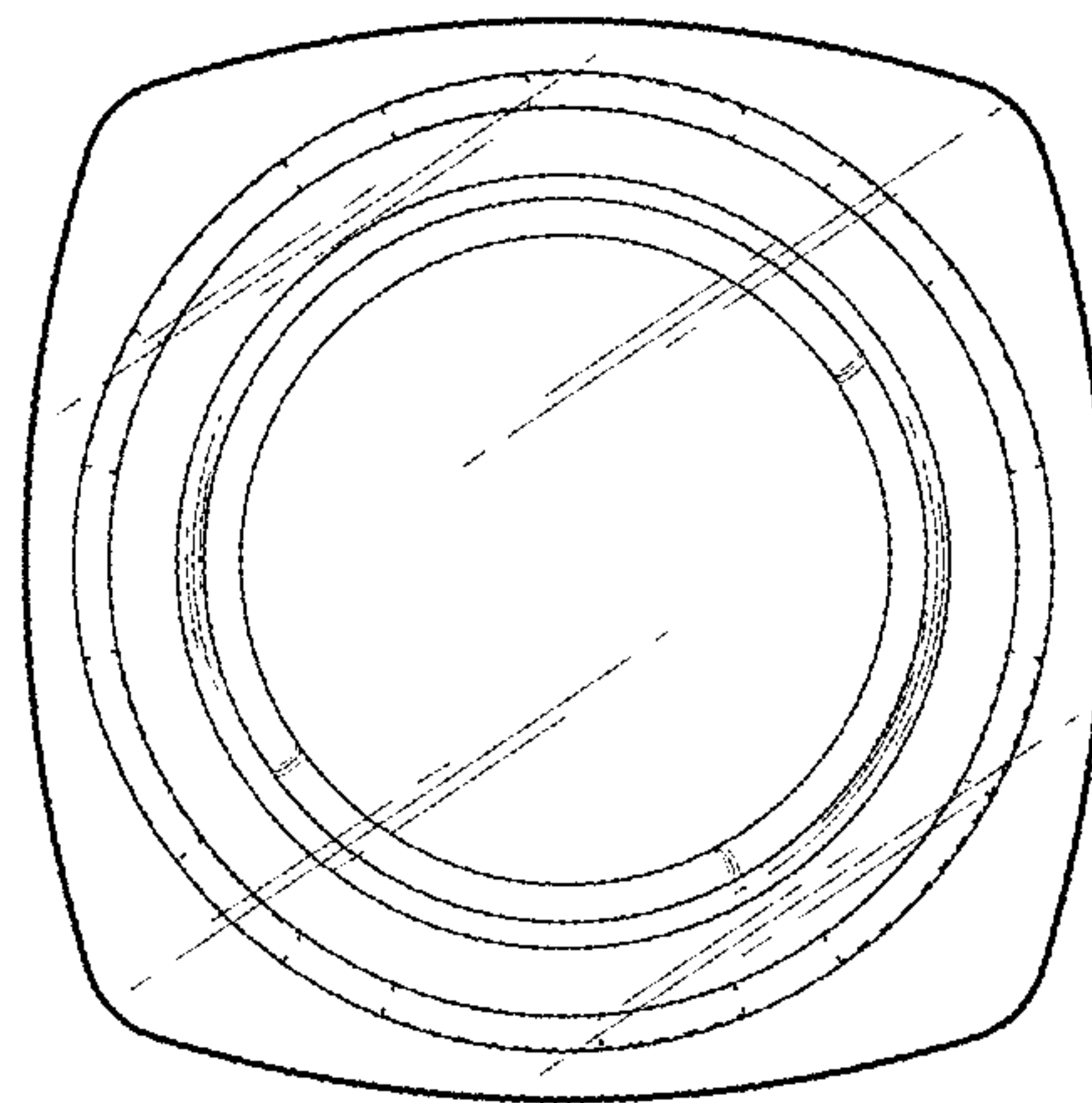


FIG. 7



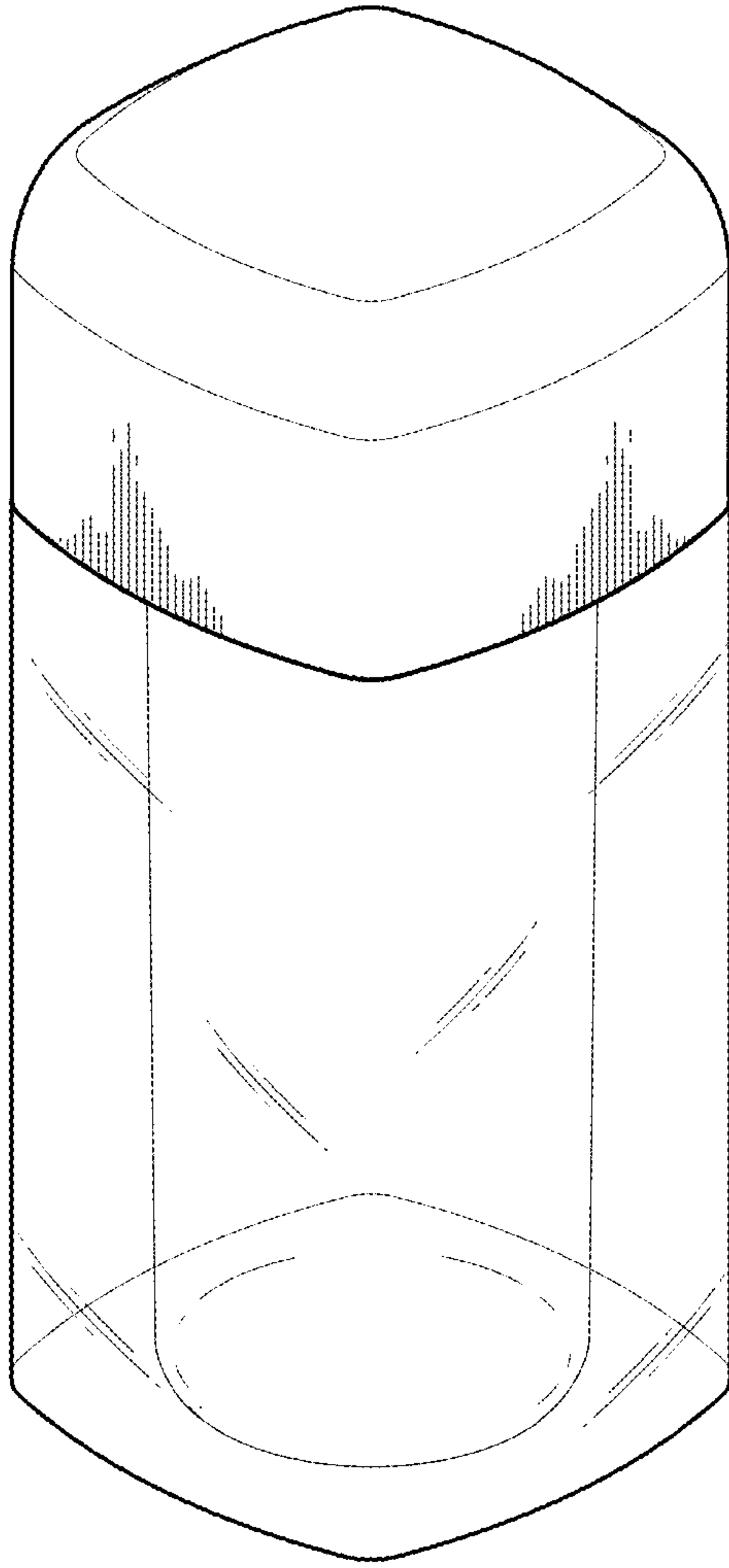


FIG. 8