



US00D891928S

(12) **United States Design Patent** (10) **Patent No.:** **US D891,928 S**
Yeo (45) **Date of Patent:** **** Aug. 4, 2020**

(54) **COSMETIC LOOSE POWDER JAR**
(71) Applicant: **Myung Kwon Yeo**, Bucheon-si (KR)
(72) Inventor: **Myung Kwon Yeo**, Bucheon-si (KR)
(**) Term: **15 Years**
(21) Appl. No.: **29/684,475**
(22) Filed: **Mar. 21, 2019**
(51) **LOC (12) Cl.** **09-01**
(52) **U.S. Cl.**
USPC **D9/504; D28/8**
(58) **Field of Classification Search**
USPC D9/454, 501, 504, 519, 521, 523, 529,
D9/542, 549, 550, 551, 558, 564, 574,
D9/575, 522; D7/300.1, 665, 679;
D6/515, 542; D3/202, 203.1, 203.2, 302;
D19/93, 86; D28/4, 8, 76, 91, 78, 79, 82;
D1/102, 105; D26/7; D27/177, 178,
D27/183, 189
CPC A45D 40/0068; A45D 40/00; A45D
2040/0012; A45D 40/12; A45D 40/16;
B65D 1/0223; B65D 2501/0081; B65D
79/005; B29C 66/71; A61J 1/03; Y10S
220/34; Y10S 206/80
See application file for complete search history.

D514,936 S * 2/2006 Pace D9/504
D515,928 S * 2/2006 Pace D9/504
D523,752 S * 6/2006 Bried D9/504
D531,036 S * 10/2006 Bried D9/504
D541,176 S * 4/2007 Bried D9/504
D581,792 S * 12/2008 Krohn D9/504
D581,809 S * 12/2008 Wichowski D9/504
D588,916 S * 3/2009 DeMarco D9/504
D592,956 S * 5/2009 Thiellier D28/82
D817,551 S * 5/2018 Montoli A45D 33/008
D28/82
D866,334 S * 11/2019 Wieland D9/504
D870,371 S * 12/2019 Storz D27/167
D885,919 S * 6/2020 Beardsall D9/454

(Continued)

OTHER PUBLICATIONS

AKOAK Capacity 30 ml(1 oz) Empty Reusable Plastic Loose Powder Compact Container, available May 30, 2019. [online], [site visited Jun. 16, 2020]. Available from internet, URL: <https://www.amazon.com/AKOAK-Capacity-Reusable-Plastic-Container/dp/B07PGFCV37/r> (Year: 2019).*

Primary Examiner — W. A. Teddy Falloway
Assistant Examiner — Rani J Abdallah

(57) **CLAIM**

I, claim the ornamental design for a cosmetic loose powder jar, as shown and described.

DESCRIPTION

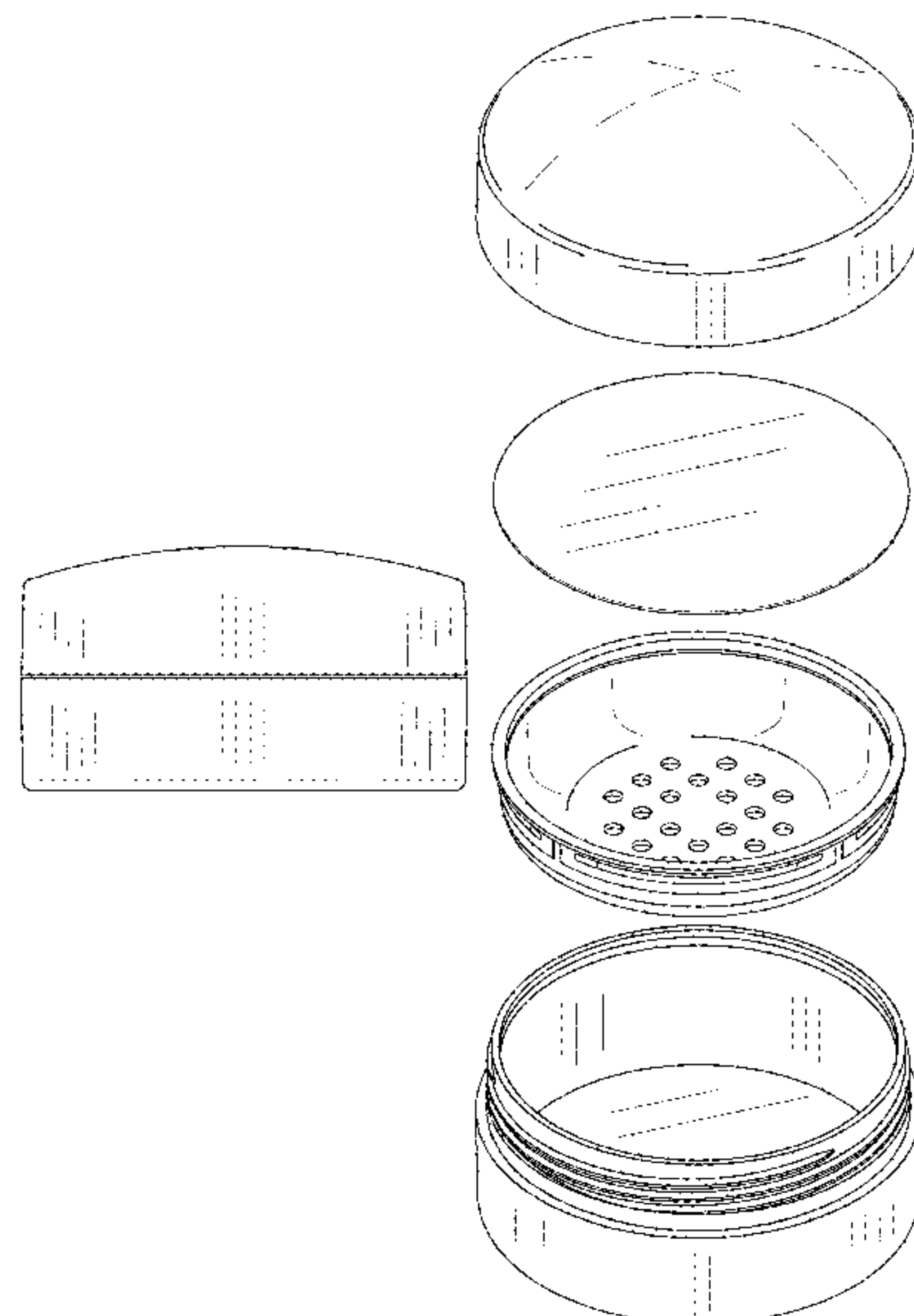
FIG. 1 Is a front elevation view of a cosmetic loose powder jar showing my new design ;
FIG. 2 Is a top plan view thereof ;
FIG. 3 Is a bottom plan view thereof ;
FIG. 4 Is a bottom front perspective view of FIG. 1;
FIG. 5 Is a top front perspective view of FIG. 1;
FIG. 6 Is an exploded front elevation view of FIG. 1; and,
FIG. 7 Is an exploded top front perspective view of FIG. 1.

1 Claim, 3 Drawing Sheets

(56) **References Cited**

U.S. PATENT DOCUMENTS

D28,413 S * 3/1898 Taite D9/504
6,009,885 A * 1/2000 Nam A45D 33/06
132/293
D424,749 S * 5/2000 Zalzal D28/76
D424,750 S * 5/2000 Zalzal D28/76
D432,722 S * 10/2000 Wardlaw D28/76
D493,721 S * 8/2004 Puigbo D28/76
D510,524 S * 10/2005 Houk D9/529
D512,636 S * 12/2005 Pace D9/504
D513,386 S * 1/2006 Pace D9/504



(56)

References Cited

U.S. PATENT DOCUMENTS

2006/0278665 A1* 12/2006 Bennett B65D 47/125
222/480
2008/0178903 A1* 7/2008 Thorpe A45D 33/16
132/307
2019/0281948 A1* 9/2019 Eng A45D 33/02
2020/0085721 A1* 3/2020 Nishida A45D 33/02

* cited by examiner

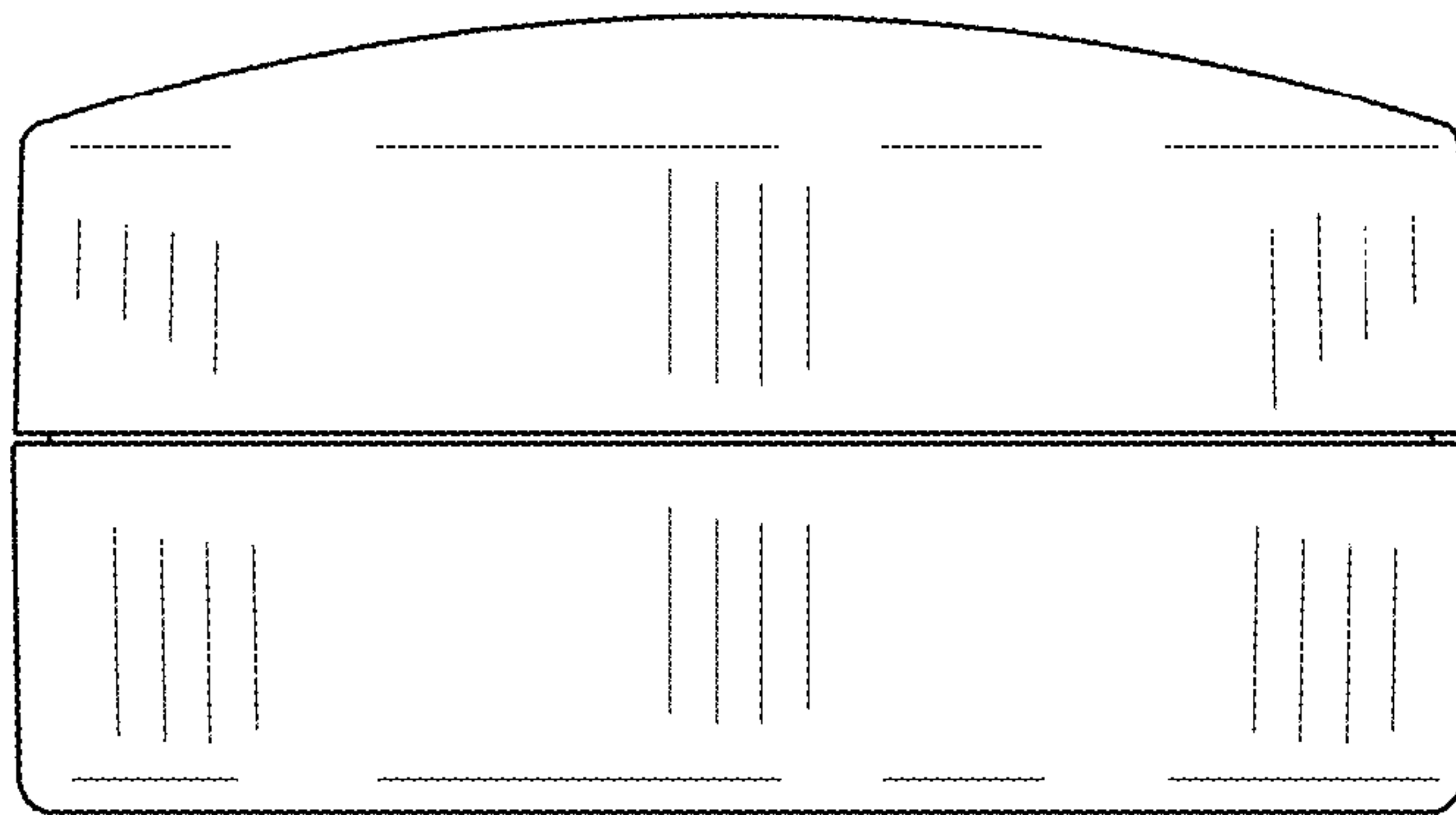


FIG.1

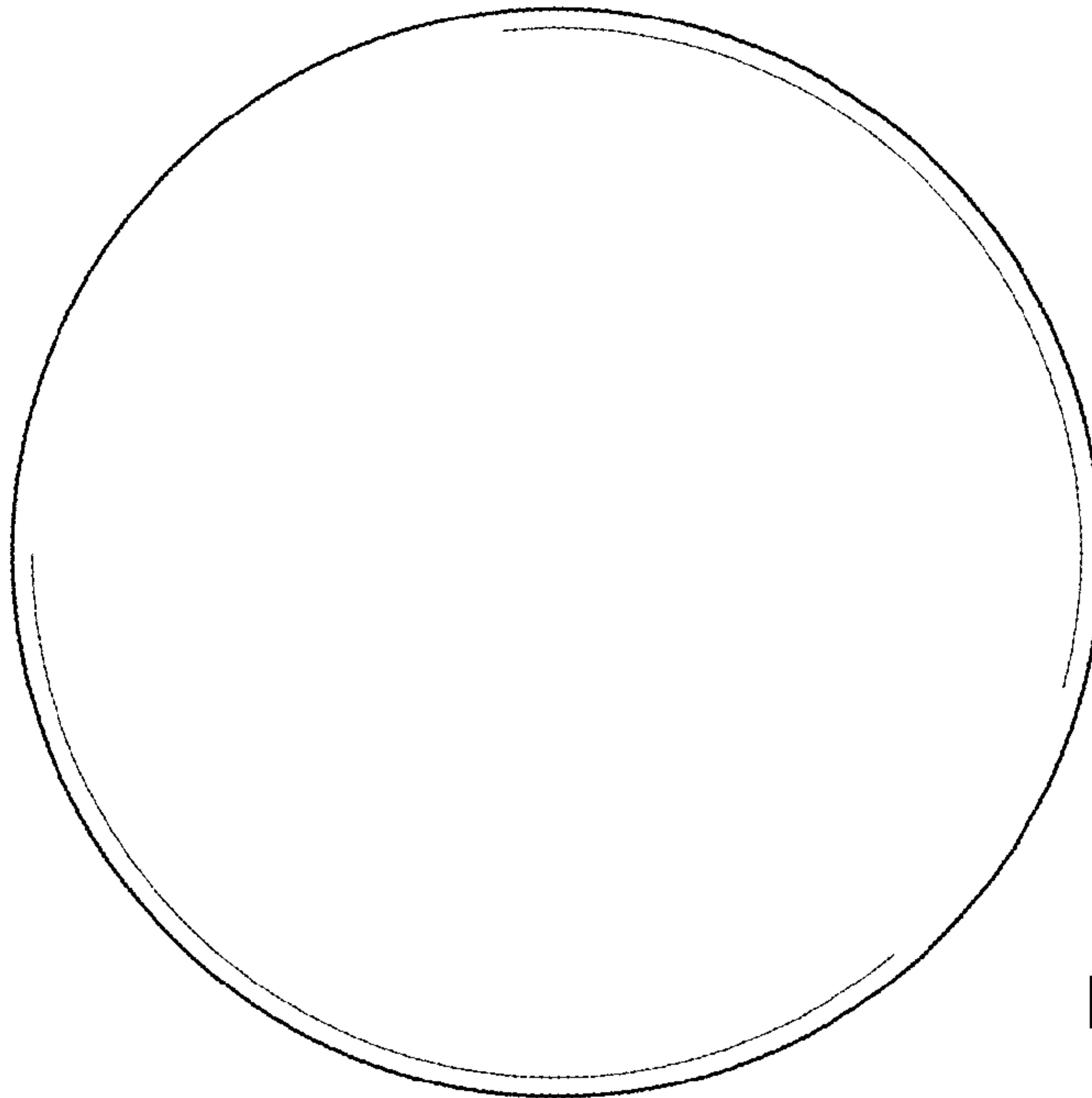


FIG.2

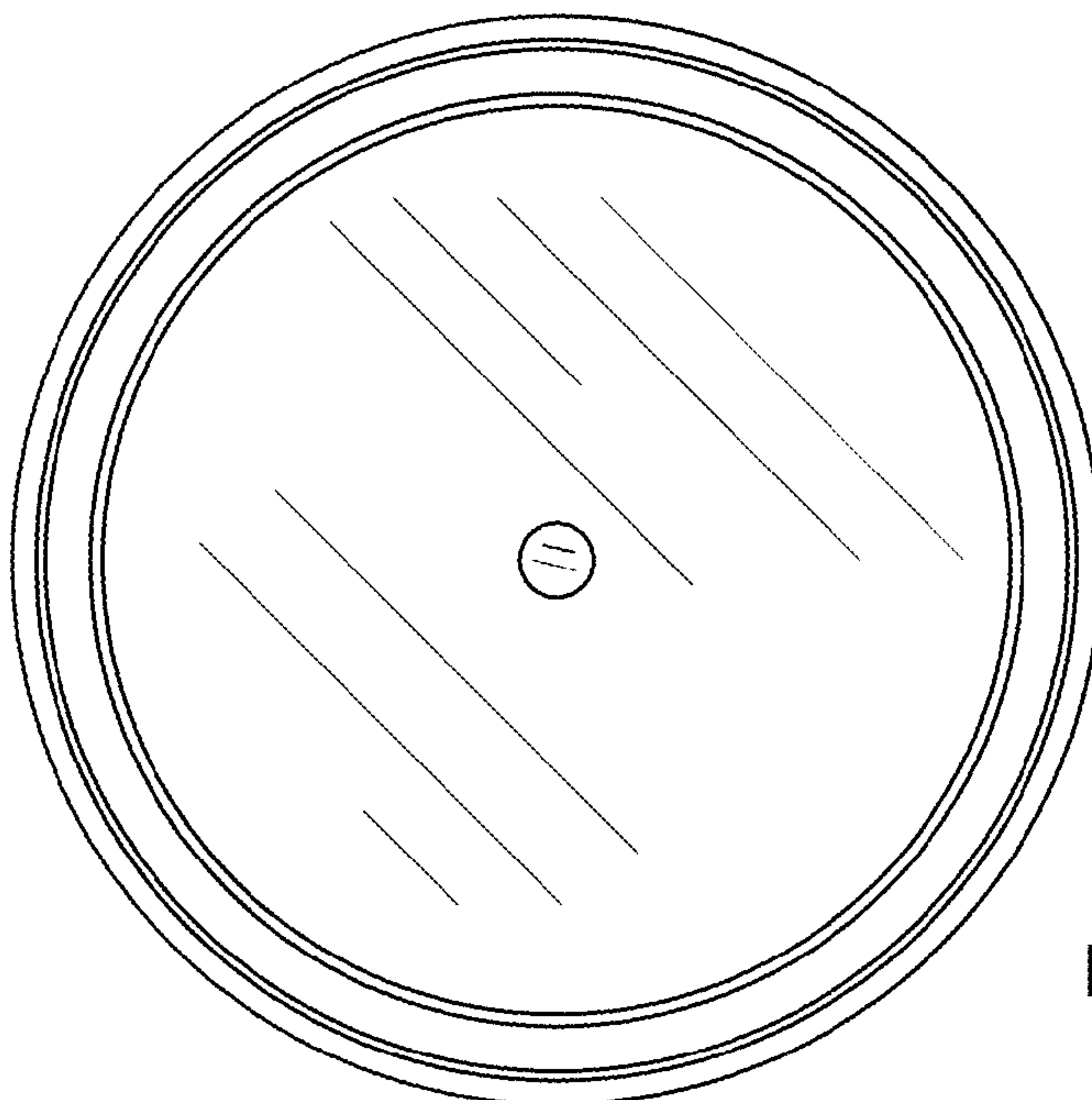


FIG.3

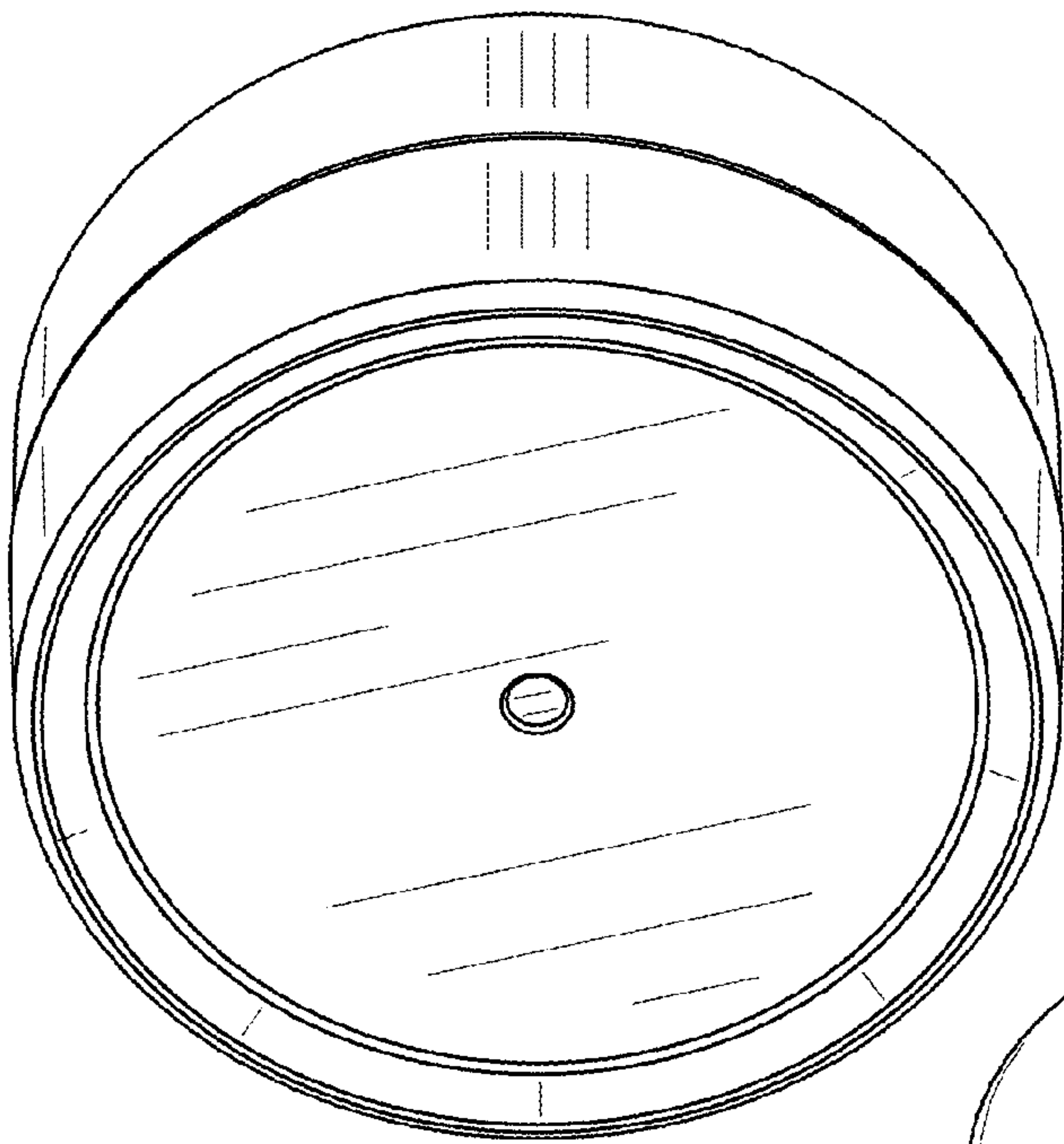


FIG.4

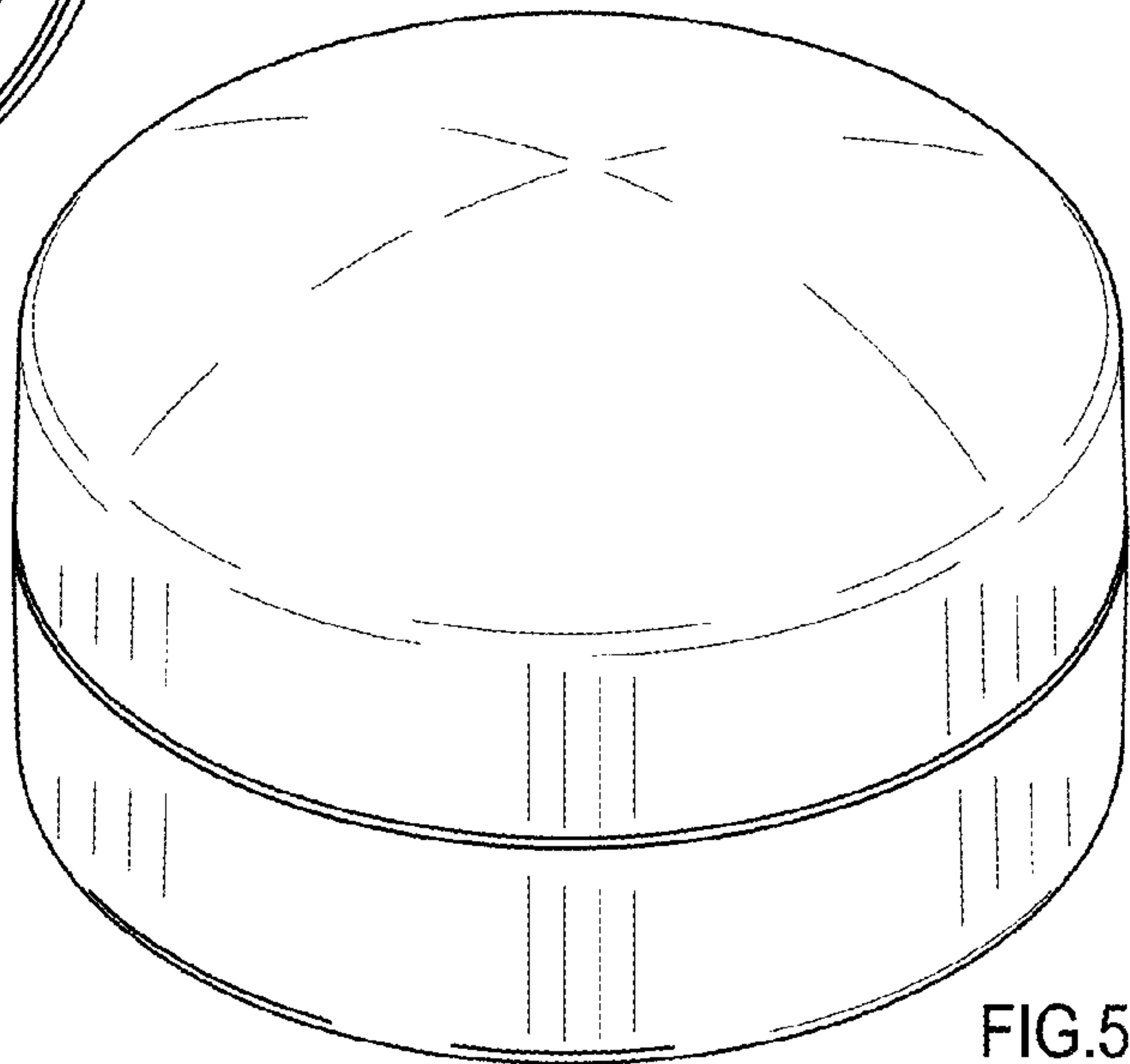


FIG.5

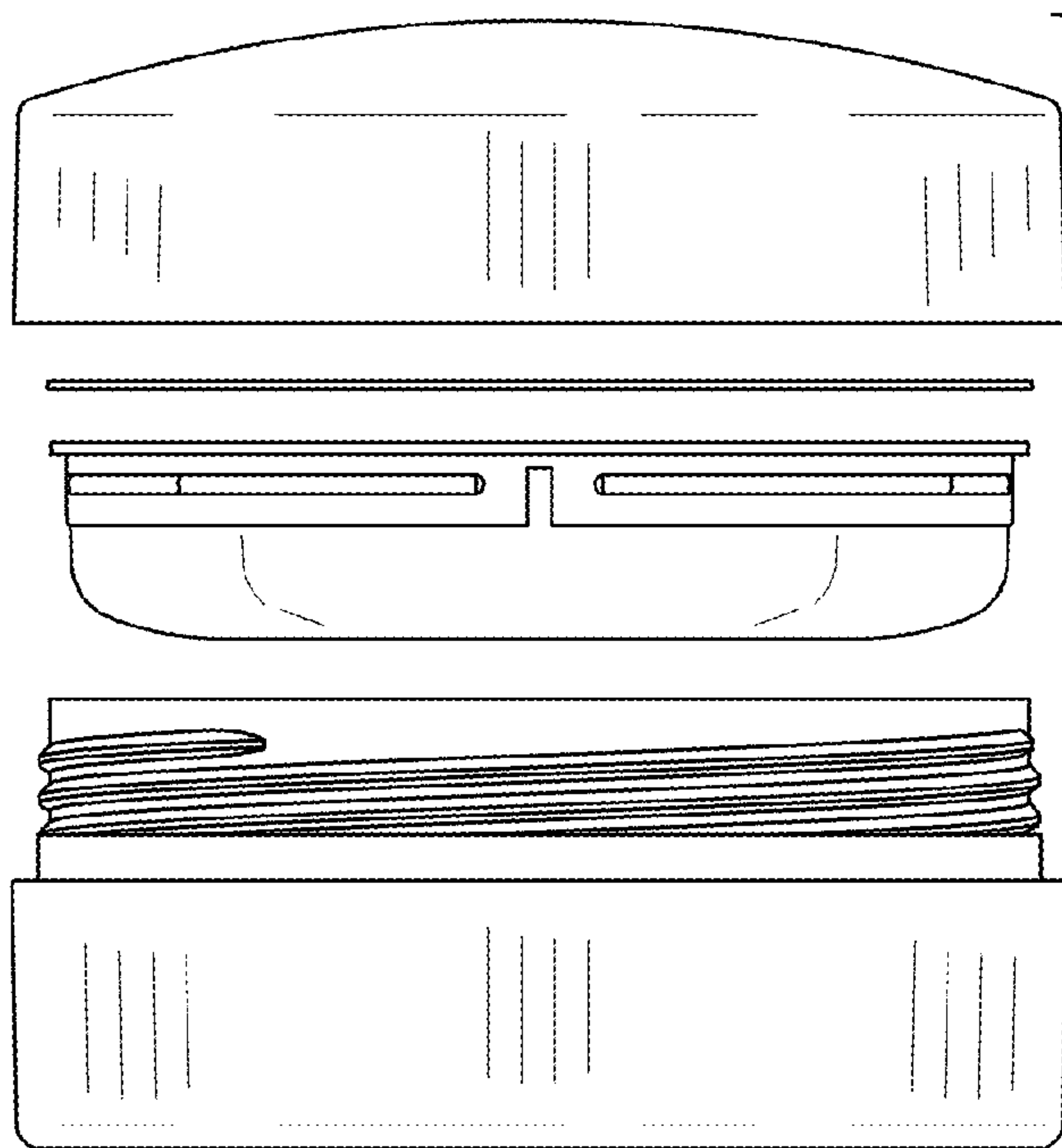


FIG.6

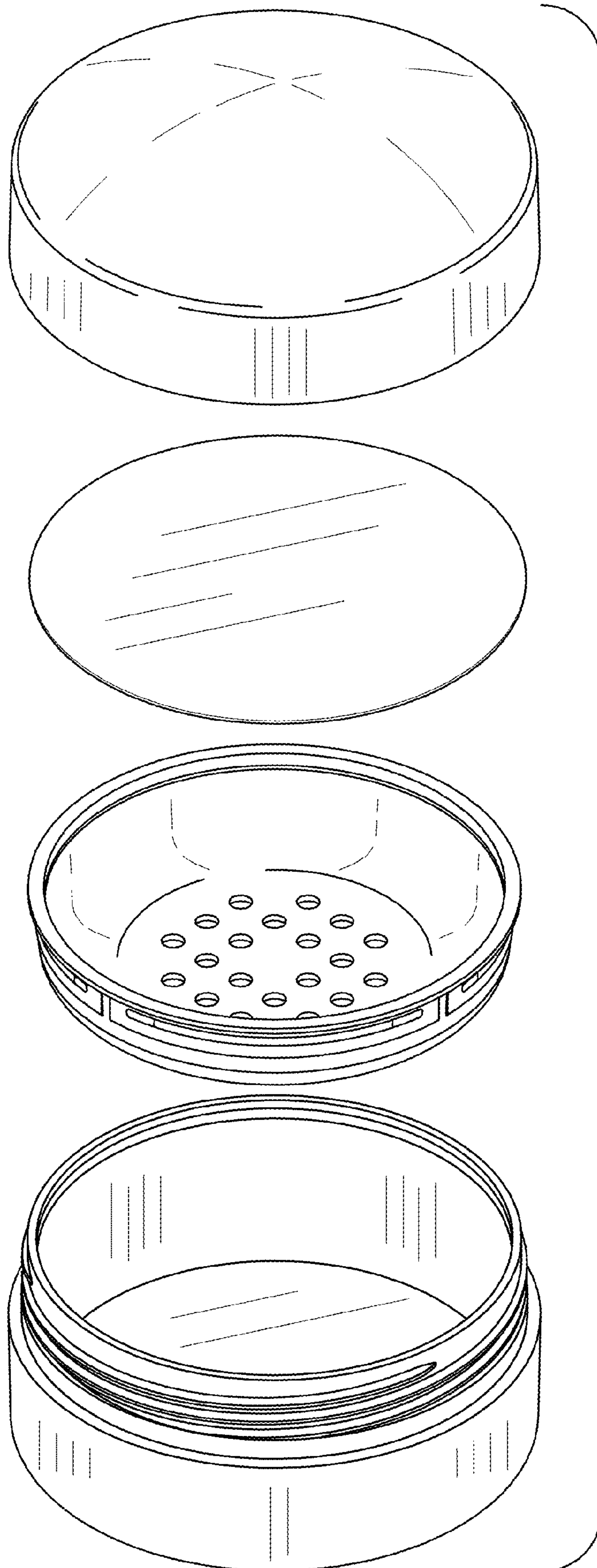


FIG.7