



US00D891927S

(12) **United States Design Patent** (10) **Patent No.:** **US D891,927 S**
Zhu (45) **Date of Patent:** **** Aug. 4, 2020**

(54) **CAPSULE BOTTLE**
(71) Applicant: **Ningbo SKL International Co., Ltd.**,
Ningbo, Zhejiang Province (CN)
(72) Inventor: **Lingfeng Zhu**, Ningbo (CN)
(73) Assignee: **Ningbo SKL International Co., LTD.**,
Ningbo, Zhejiang Province (CN)

D365,020 S * 12/1995 Dinand D9/503
D375,559 S * 11/1996 Baxter D24/224
D406,764 S * 3/1999 Bright D9/503
D508,208 S * 8/2005 Ozaki D9/688
D610,021 S * 2/2010 Kinoshita D9/686
D629,692 S * 12/2010 Lauret D9/500
D661,192 S * 6/2012 Hwang D9/504
D721,283 S * 1/2015 Lawrance D9/689
D839,095 S * 1/2019 Fux D9/503
D839,096 S * 1/2019 Fux D9/503

(Continued)

(**) Term: **15 Years**

Primary Examiner — Dana Meyrow

(21) Appl. No.: **29/709,859**

(74) *Attorney, Agent, or Firm* — iPA & iPM

(22) Filed: **Oct. 17, 2019**

(57) **CLAIM**

(30) **Foreign Application Priority Data**

The ornamental design for a capsule bottle, as shown and described.

Aug. 8, 2019 (CN) 2019 3 0445198

DESCRIPTION

(51) **LOC (12) Cl.** **09-01**

(52) **U.S. Cl.**
USPC **D9/503; D9/454; D9/447; D9/504;**
D9/690

(58) **Field of Classification Search**
USPC D9/434, 500, 503–505, 516, 521, 529,
D9/549, 558, 682, 686, 688–691, 715,
D9/719; D24/224; D28/7, 76
CPC B65D 1/00; B65D 1/02; B65D 1/0223;
B65D 23/00; B65D 51/32; B65D
2501/00; B65D 2501/0009
See application file for complete search history.

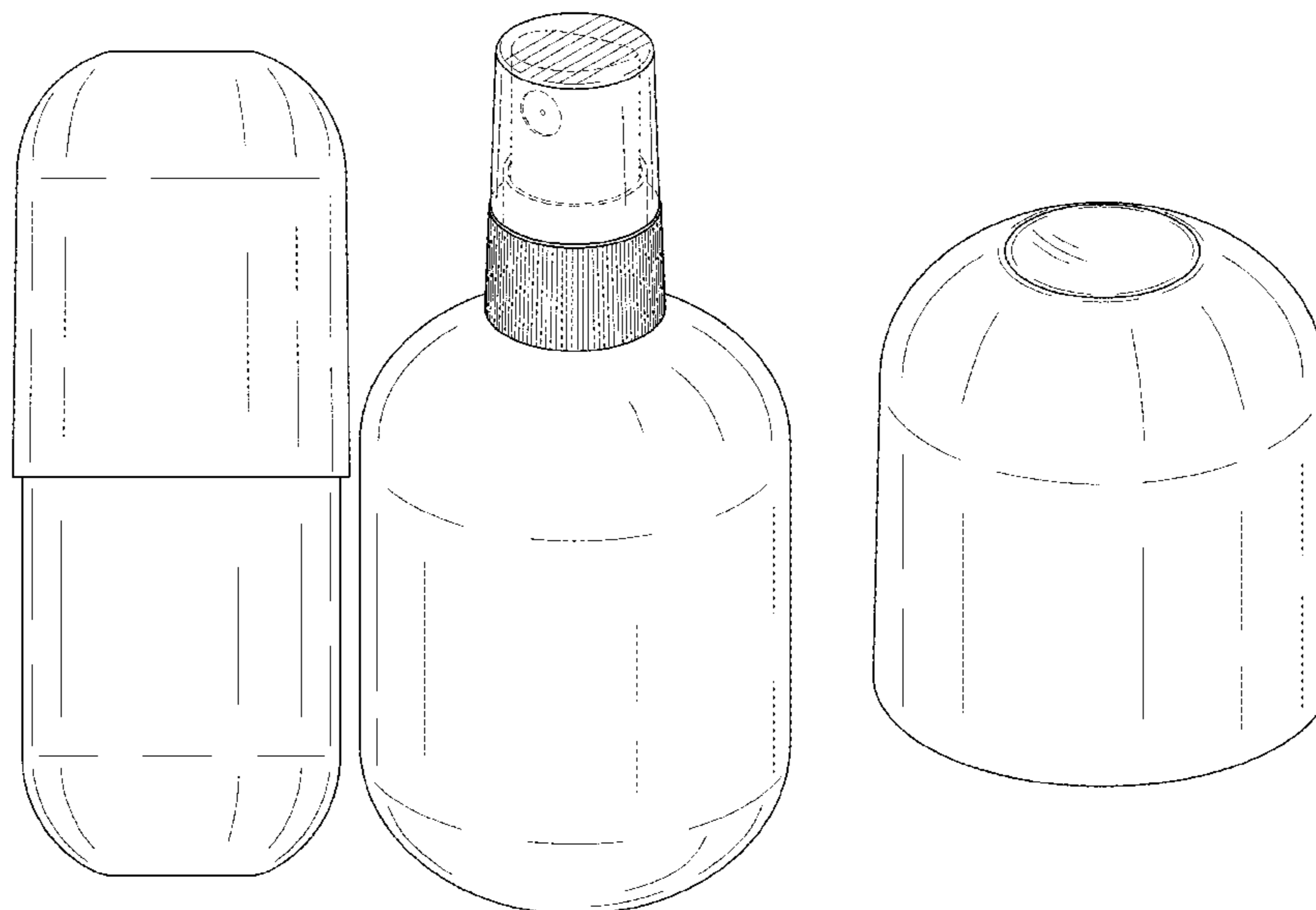
FIG. 1 is a perspective view of a capsule bottle showing my new design;
FIG. 2 is a right side view thereof, identical to a left side view, to a front side view, and to a back side view due to symmetry;
FIG. 3 is a top view thereof;
FIG. 4 is a bottom view thereof;
FIG. 5 is a perspective view of the capsule bottle with its cap removed and resting on its side;
FIG. 6 is a front view of the capsule bottle with its cap removed;
FIG. 7 is a left side view thereof;
FIG. 8 is a right side view thereof;
FIG. 9 is a back side view thereof;
FIG. 10 is a top view thereof;
FIG. 11 is a bottom view thereof; and,
FIG. 12 is a perspective view of the capsule bottle resting inside of its cap.
The broken lines in the drawings illustrate the portions of the capsule bottle that form no part of the claim.

(56) **References Cited**

U.S. PATENT DOCUMENTS

D122,058 S * 8/1940 Niver D9/500
D138,686 S * 8/1944 Smith D9/503
D230,954 S * 3/1974 Gregoriotti D9/504
D231,084 S * 4/1974 Motsch D9/503
D258,045 S * 1/1981 Collins D9/500
D261,105 S * 10/1981 Schwartz D9/504
D284,252 S * 6/1986 Lichtenvort D7/597

1 Claim, 6 Drawing Sheets



(56)

References Cited

U.S. PATENT DOCUMENTS

D842,111 S * 3/2019 Delia D9/504
D845,131 S * 4/2019 Moretti D9/500

* cited by examiner

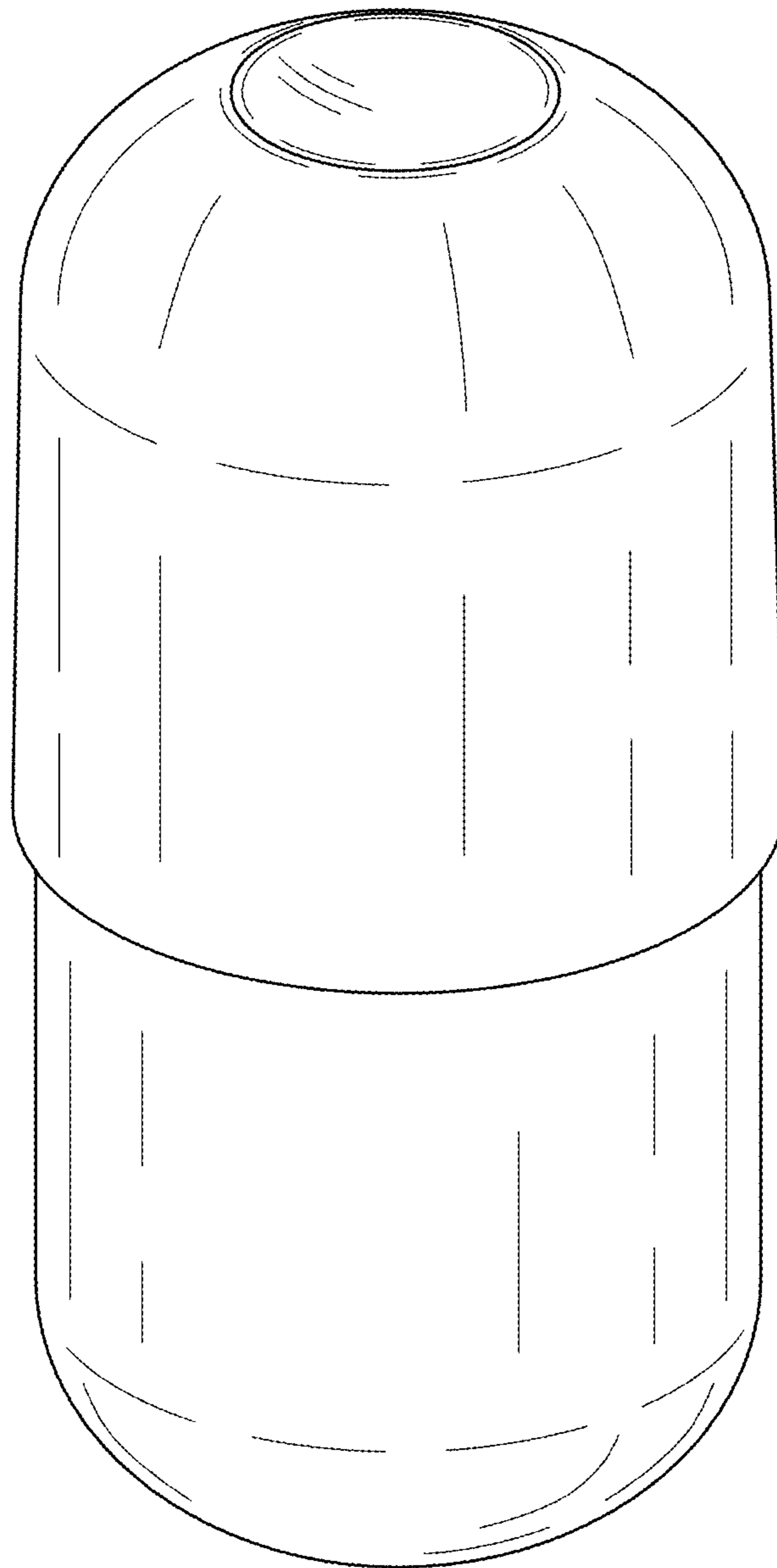


FIG. 1

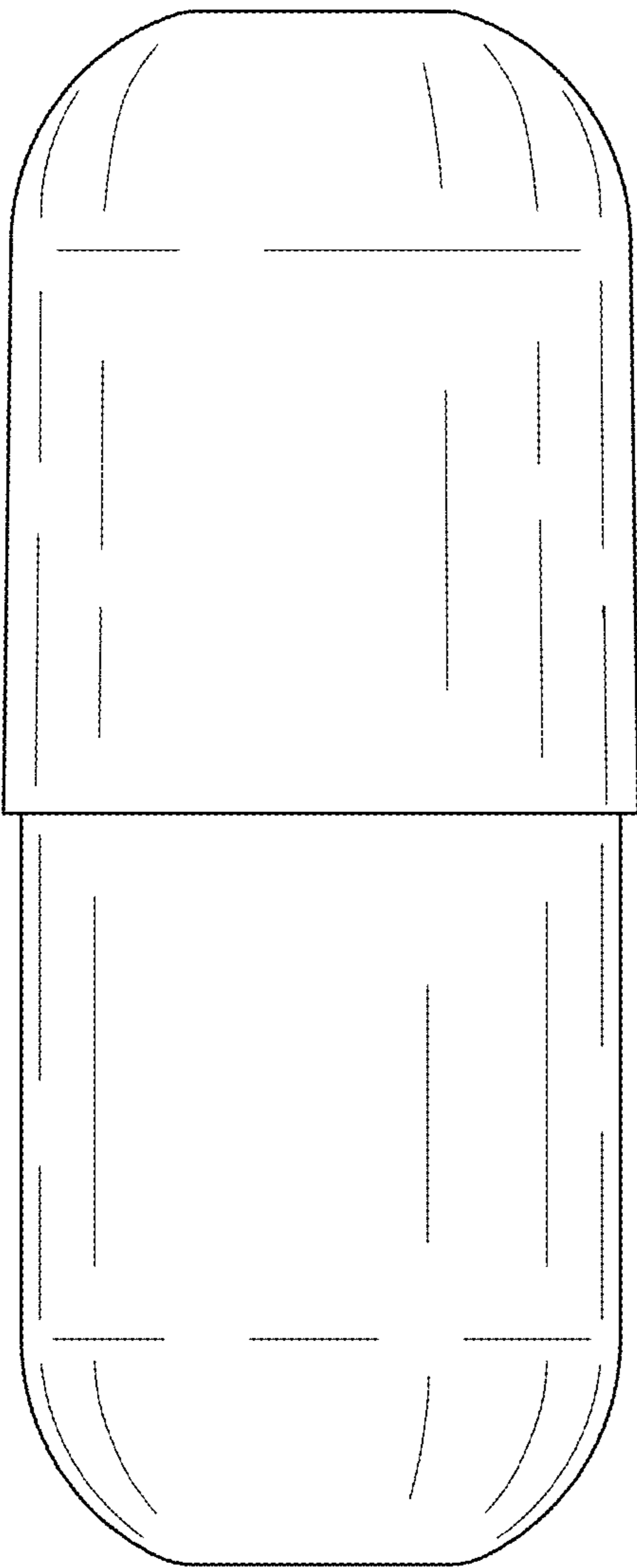


FIG. 2

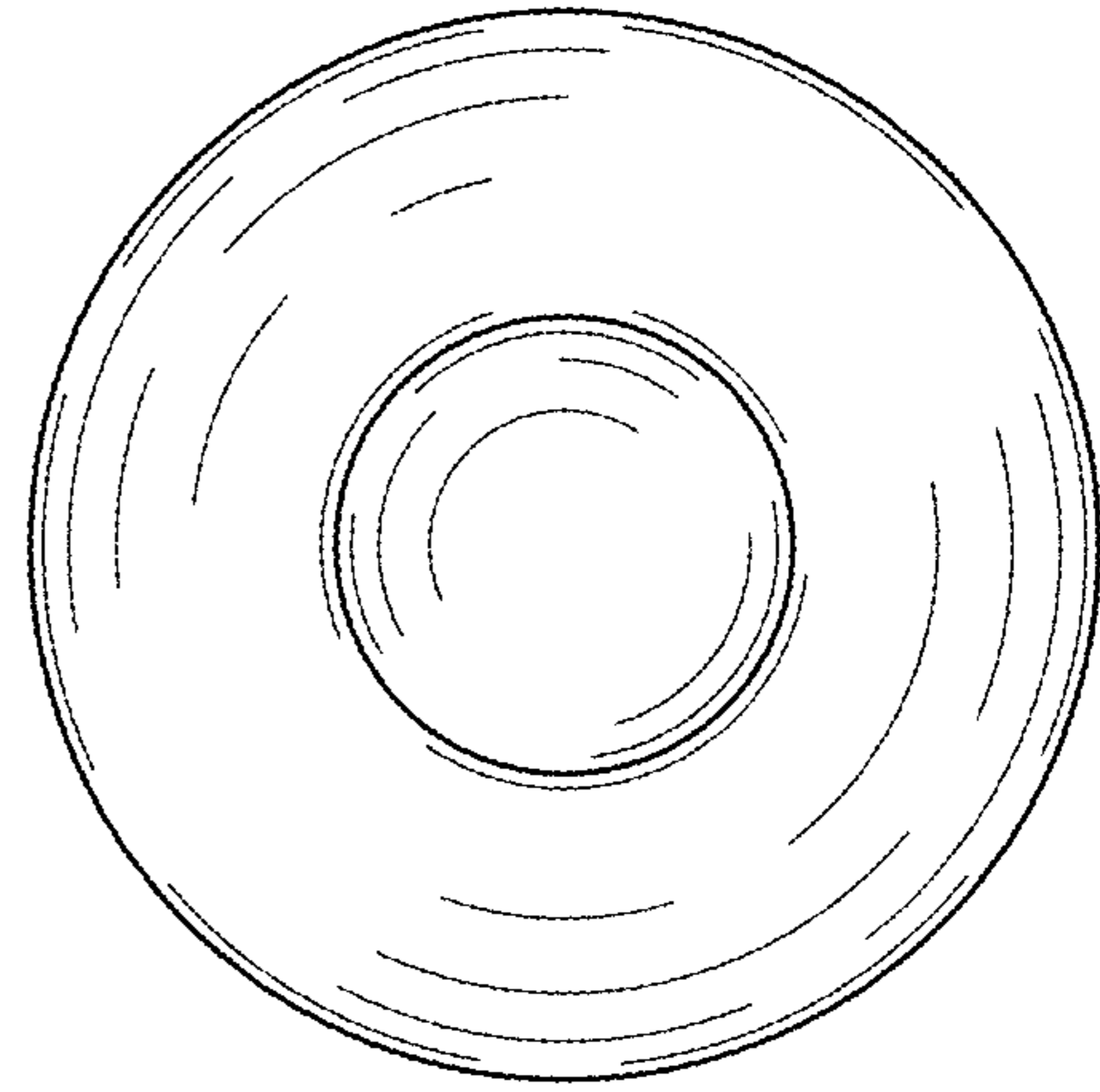


FIG. 3

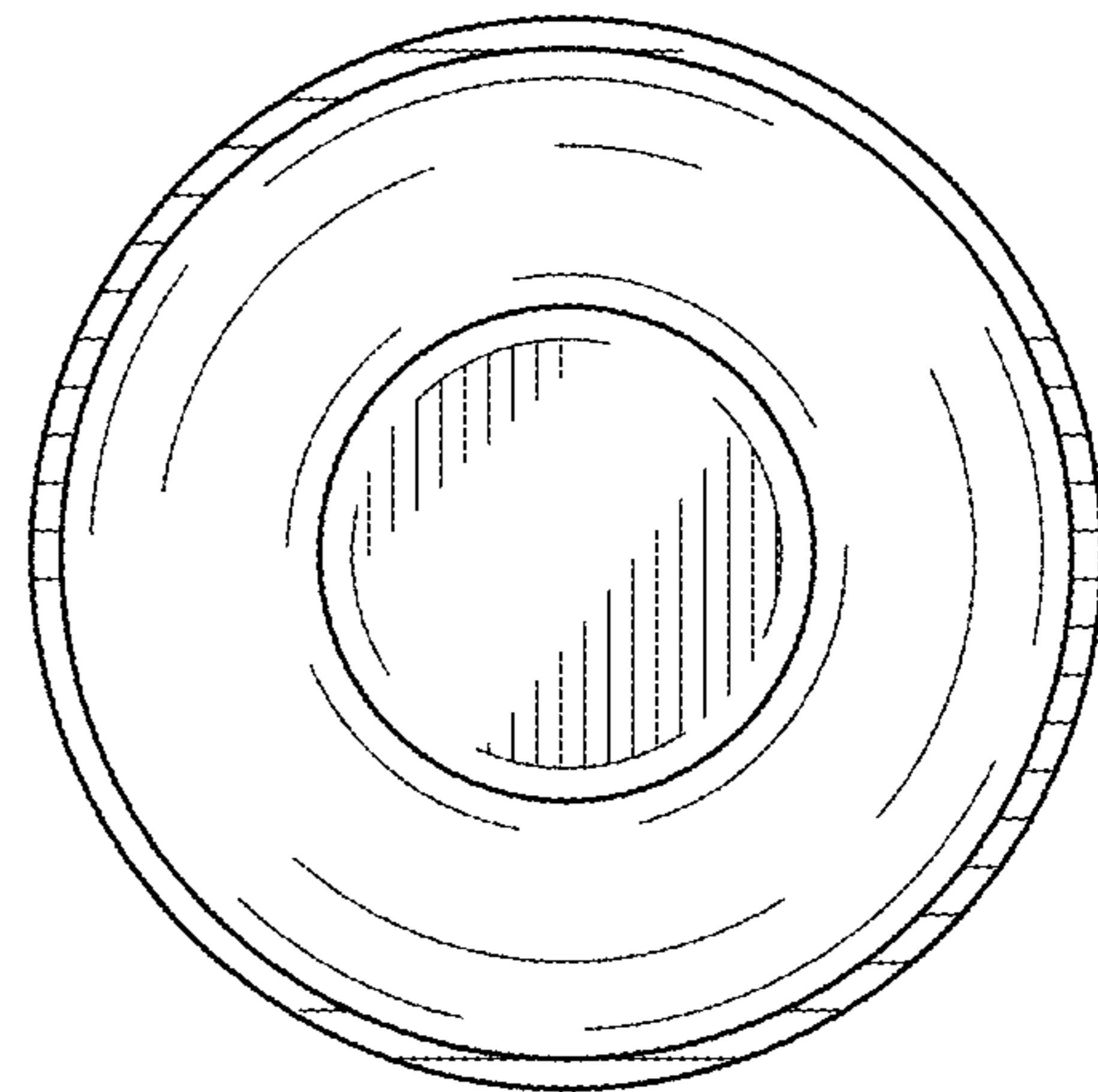


FIG. 4

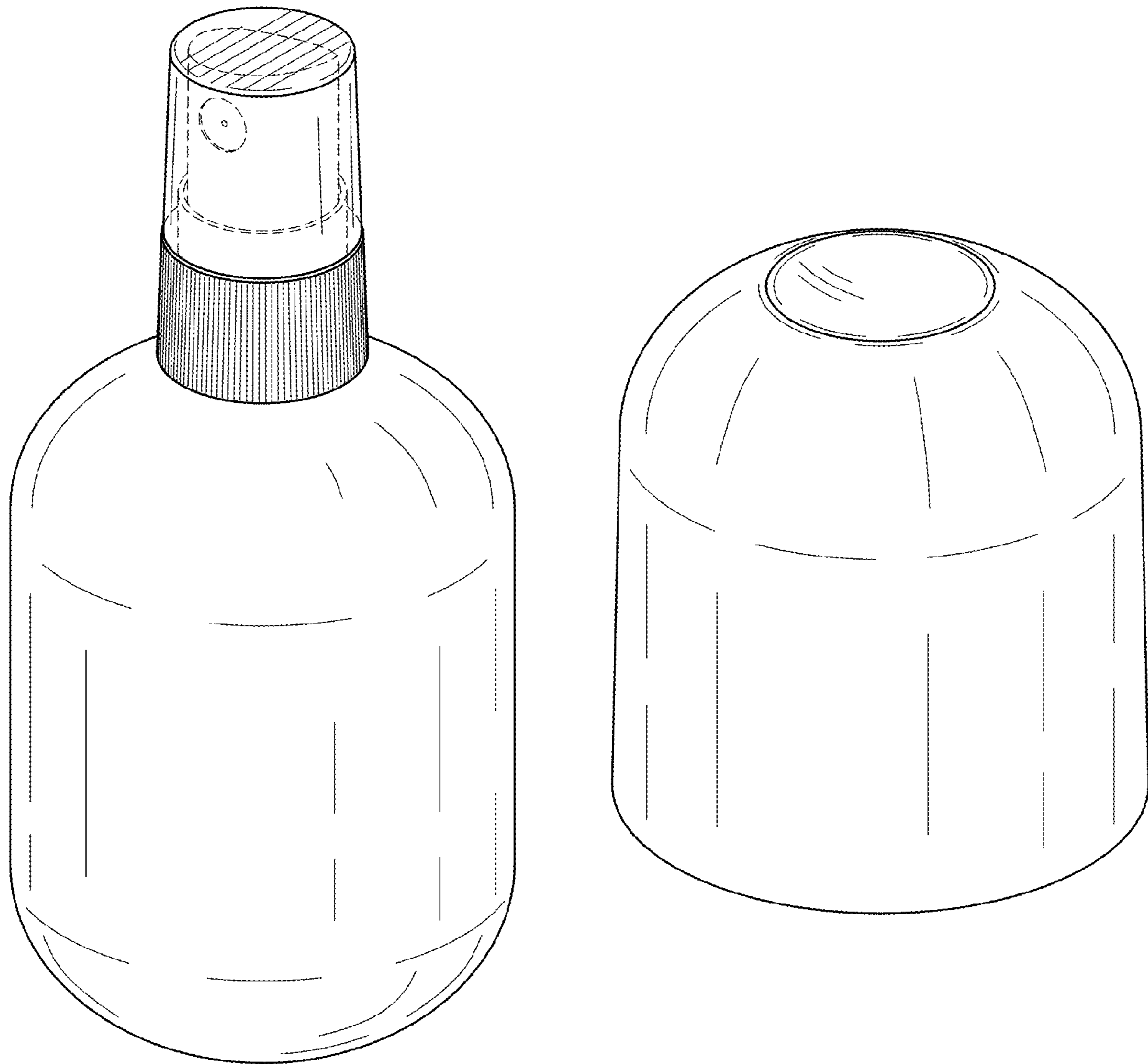


FIG. 5

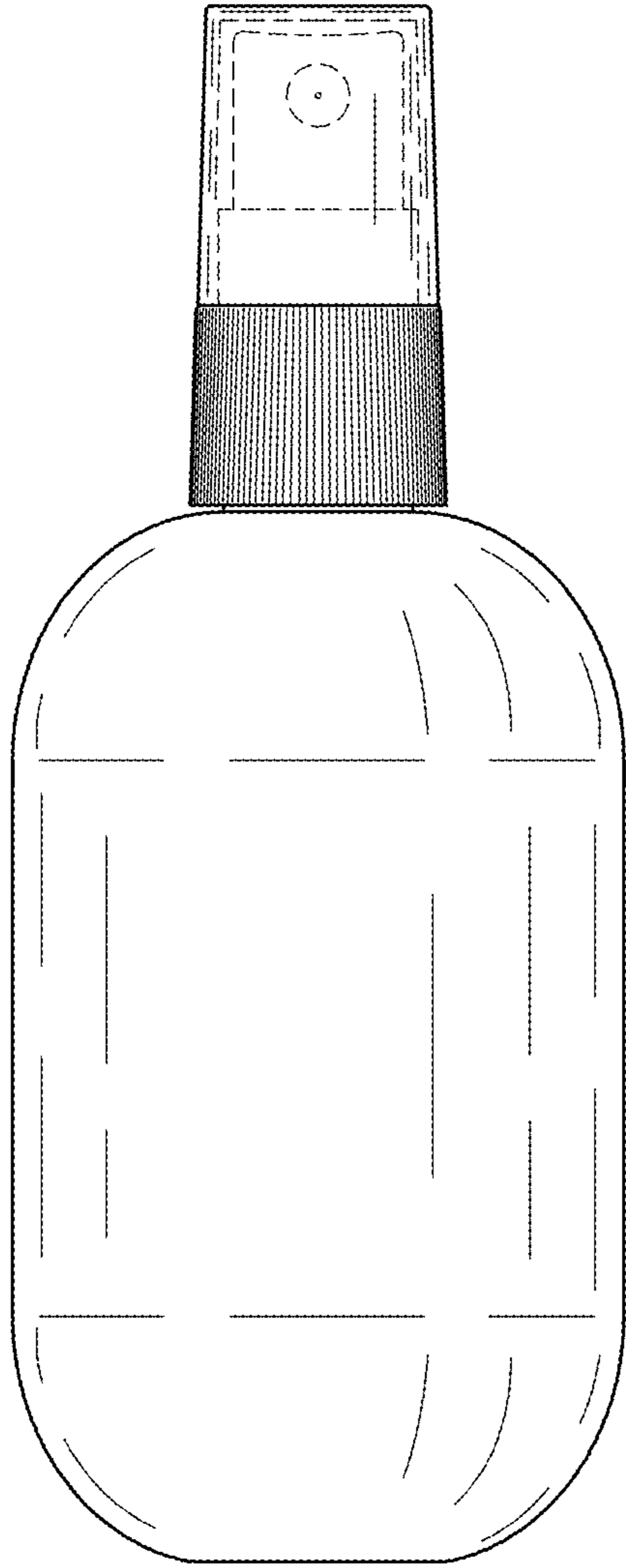


FIG. 6

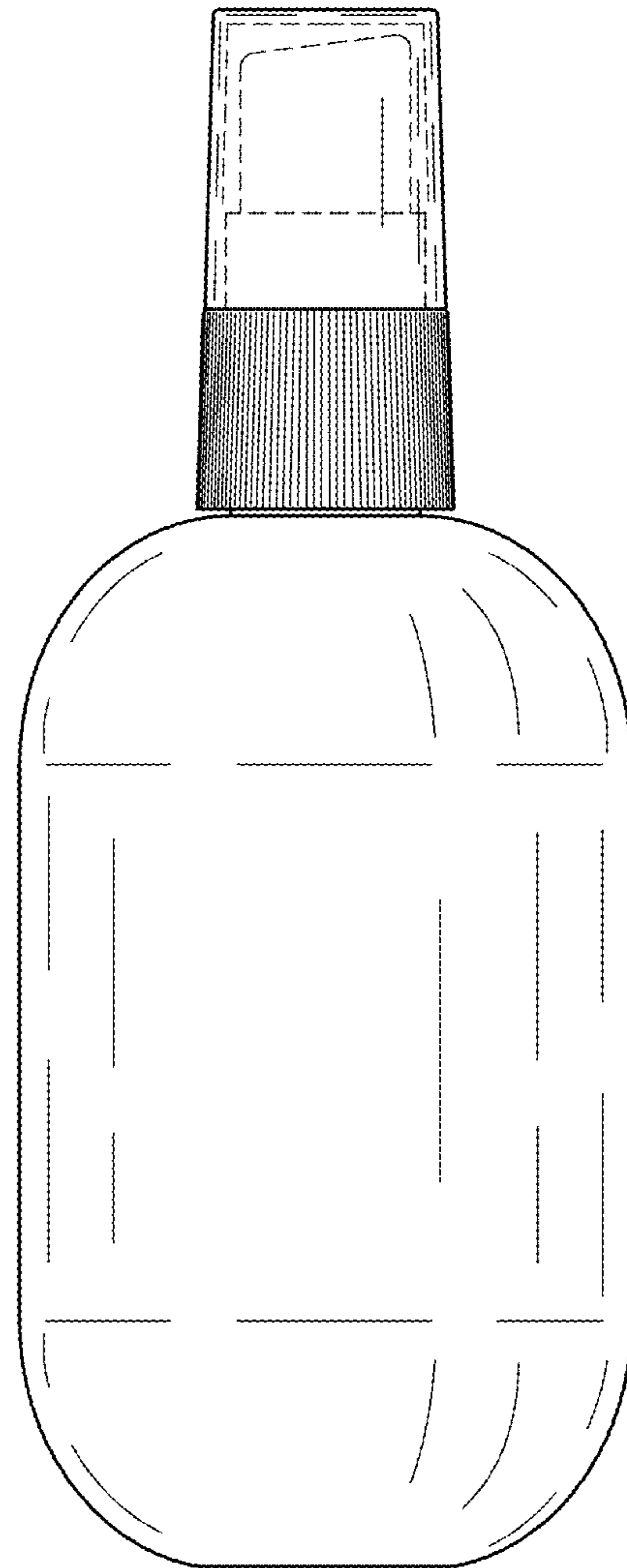


FIG. 7

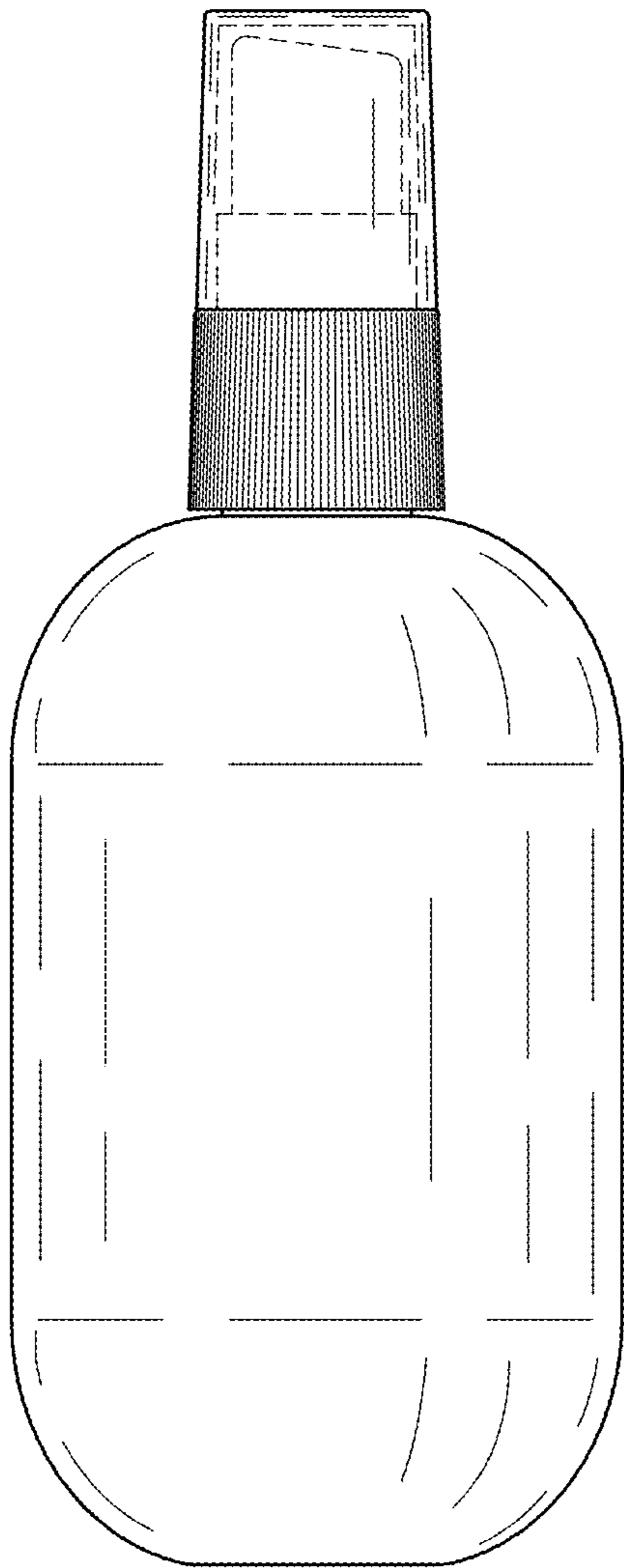


FIG. 8

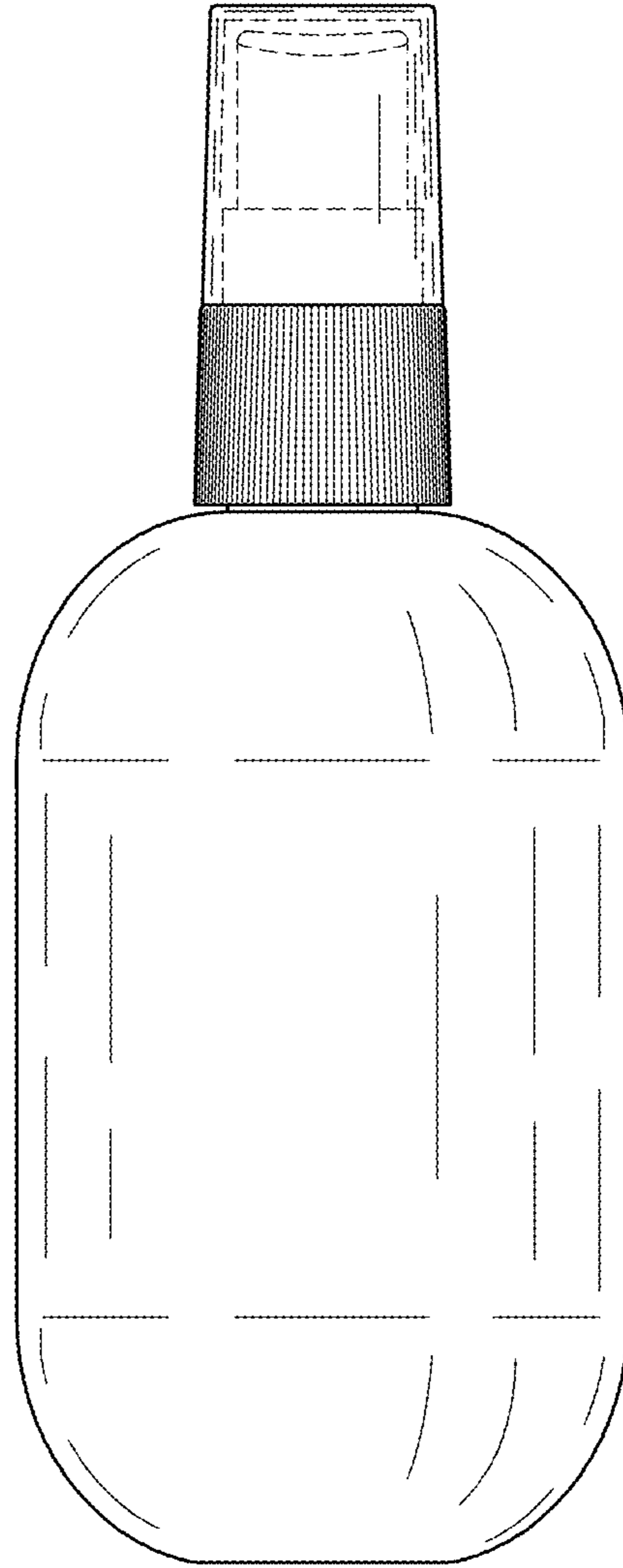


FIG. 9

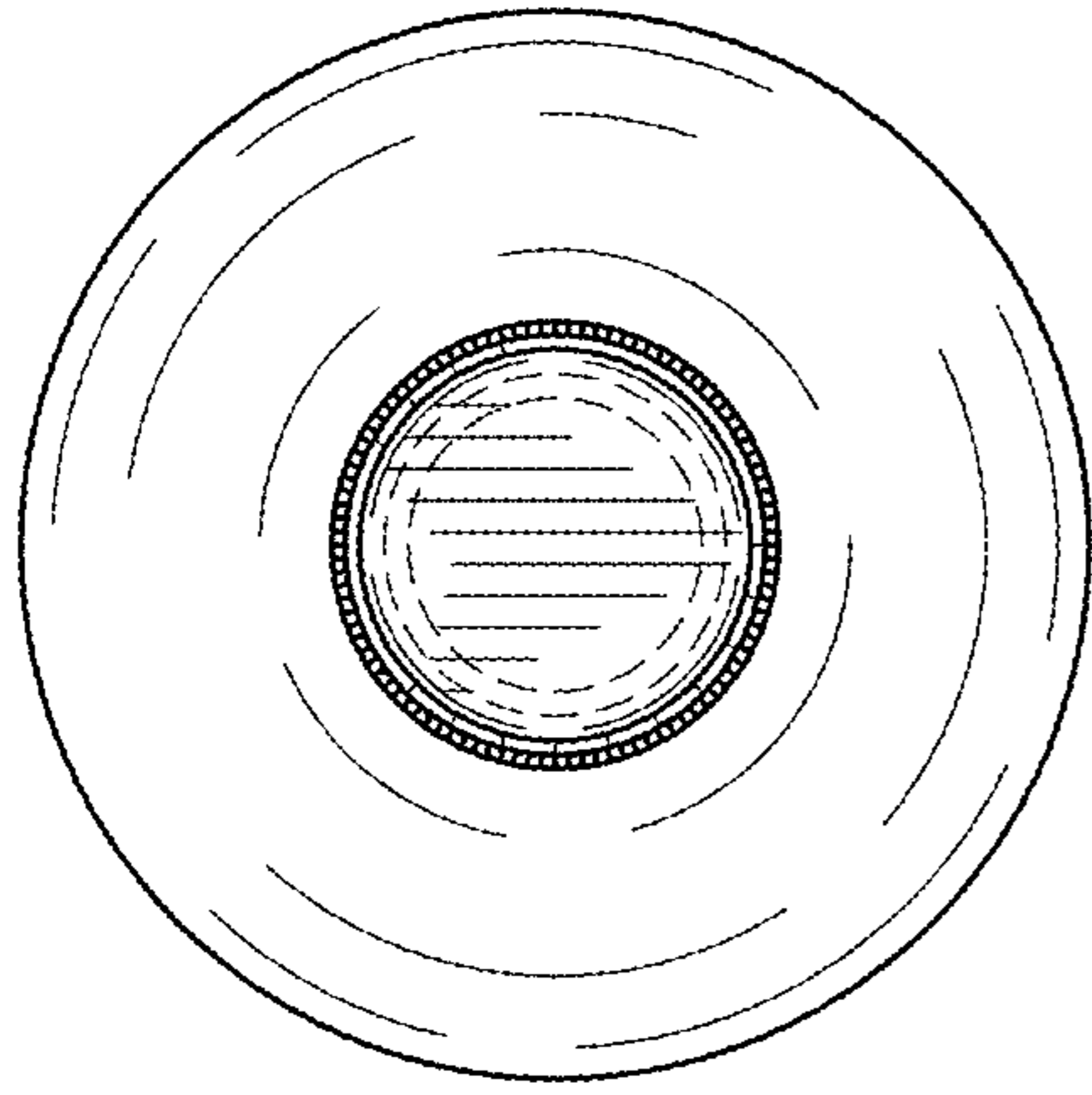


FIG. 10

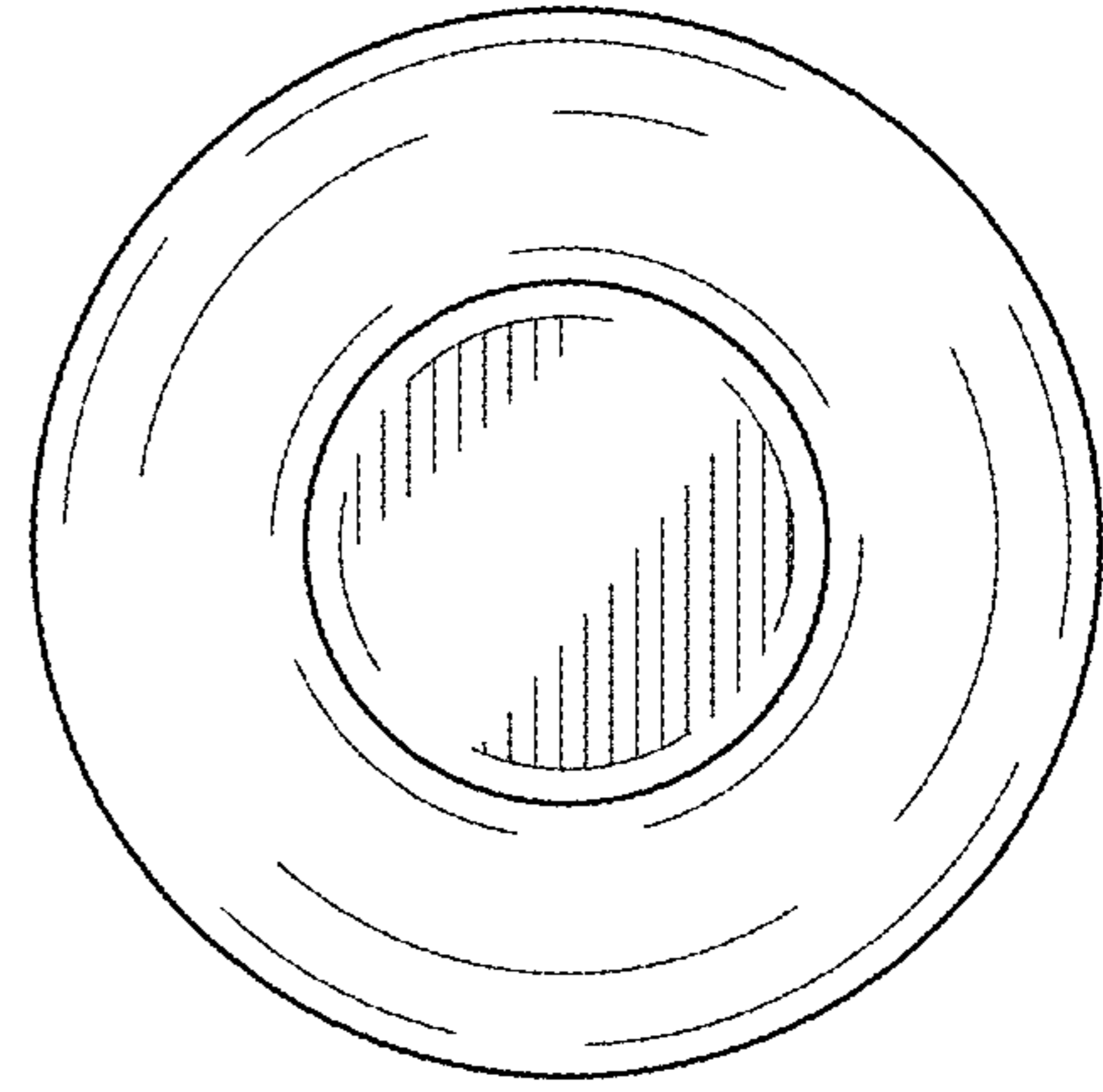


FIG. 11

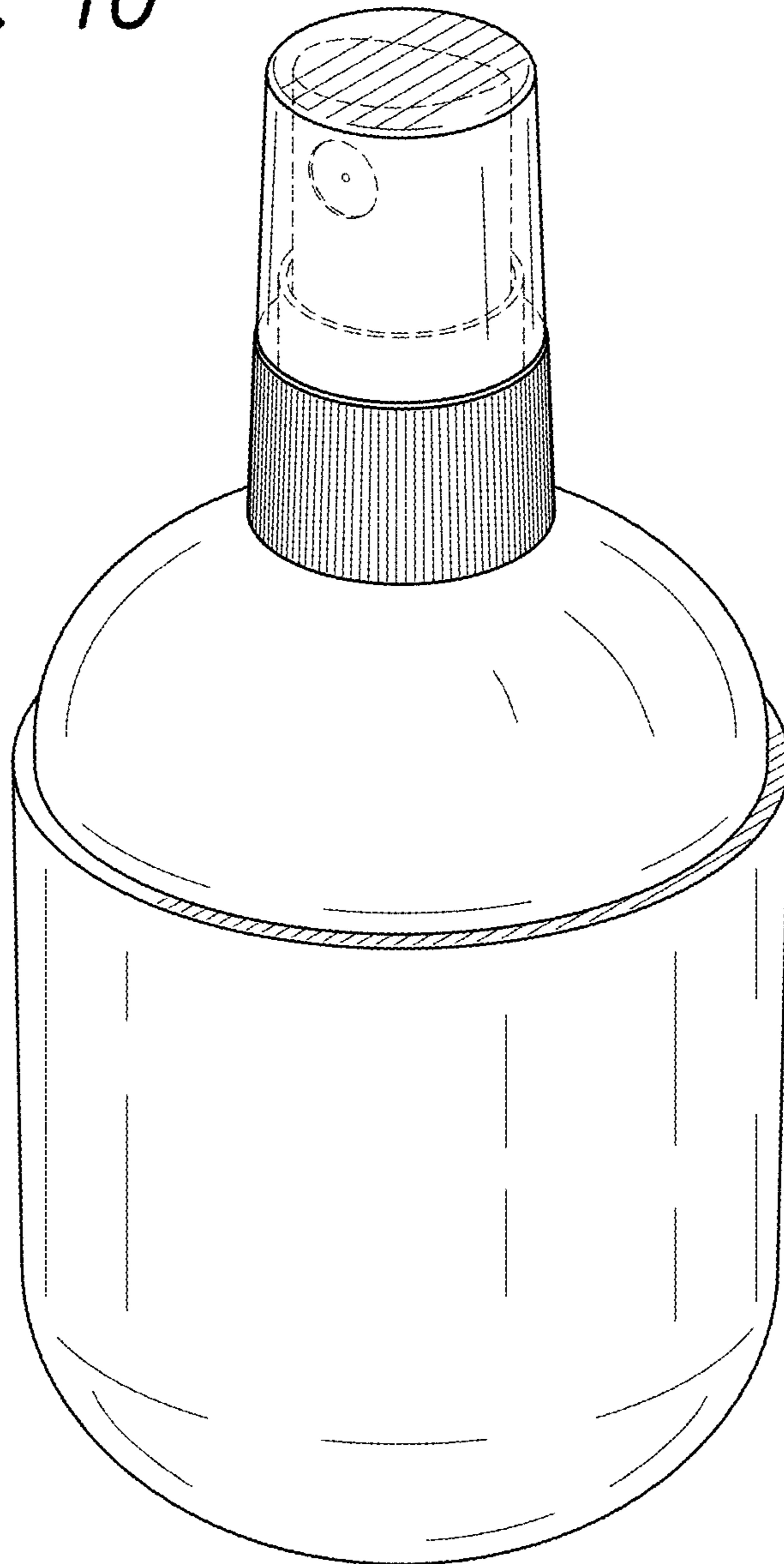


FIG. 12