



US00D891925S

(12) **United States Design Patent**
Kosnick et al.

(10) **Patent No.:** **US D891,925 S**

(45) **Date of Patent:** **** Aug. 4, 2020**

(54) **PACKAGING MATERIAL WITH SURFACE PATTERN**

(71) Applicant: **3M INNOVATIVE PROPERTIES COMPANY**, St. Paul, MN (US)

(72) Inventors: **Terry R. Kosnick**, Eagan, MN (US); **Jennifer A. Higgins**, St. Paul, MN (US); **Lindsay J. Schostag**, Minnetonka, MN (US); **Meghan A. Katzenmeyer**, Woodbury, MN (US); **Flor T. Frey**, St. Paul, MN (US); **Lisa E. Warren**, Plymouth, MN (US); **Andrew P. Singer**, St. Paul, MN (US); **David K. Bruechert**, Lakeland, MN (US); **Mitchell A. F. Johnson**, Maplewood, MN (US); **Christoph Jonathan Steffen Meyer**, Plymouth, MN (US); **Jeffrey D. Swenson**, Edina, MN (US); **Connor M. Pelletier-Sutton**, St. Paul, MN (US); **Mary L. Brown**, Roseville, MN (US)

(73) Assignee: **3M INNOVATIVE PROPERTIES COMPANY**, St. Paul, MN (US)

(**) Term: **15 Years**

(21) Appl. No.: **29/662,919**

(22) Filed: **Sep. 10, 2018**

(51) **LOC (12) Cl.** **09-07**

(52) **U.S. Cl.**
USPC **D9/456; D5/46**

(58) **Field of Classification Search**
USPC **D2/500, 502; D5/4, 5, 7, 8, 23, 24, 29, D5/46-48, 53, 55-66, 99, 11, 12, 19.51;**

(Continued)

(56) **References Cited**

U.S. PATENT DOCUMENTS

D11,725 S * 4/1880 Grinnshaw D2/502
D63,415 S * 12/1923 Lord D5/46

(Continued)

OTHER PUBLICATIONS

Blue Tartan Fabric: Site Visited [May 3, 2020]. Available from Internet URL: <https://www.vectorstock.com/royalty-free-vector/blue-tartan-fabric-texture-diagonal-little-pattern-vector-3766369>.*

(Continued)

Primary Examiner — Catherine S Posthauer
(74) *Attorney, Agent, or Firm* — Eric E. Silverman

(57) **CLAIM**

The ornamental design for a packaging material with surface pattern, as shown and described.

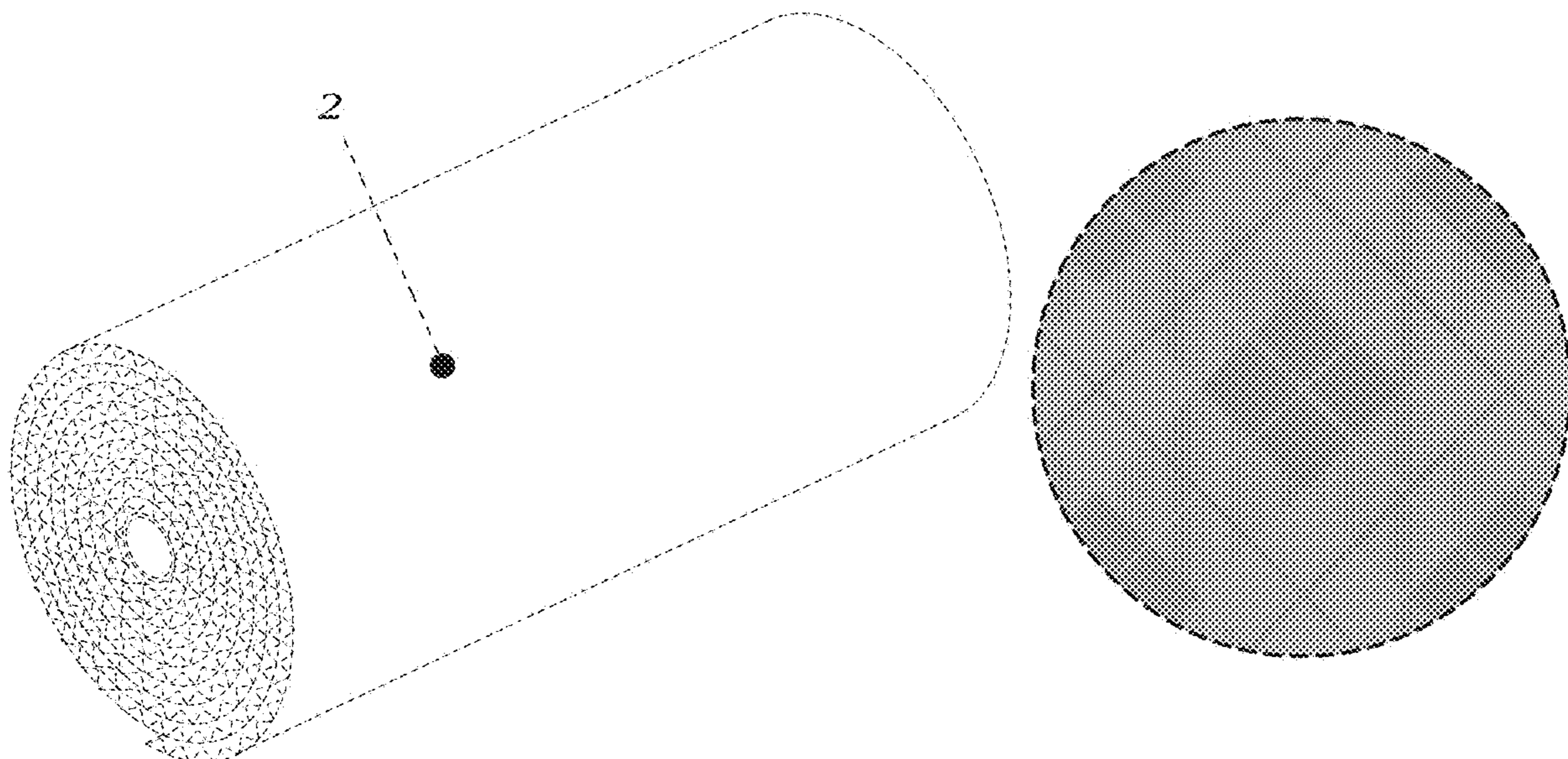
DESCRIPTION

The patent or application file contains at least one drawing executed in color. Copies of this patent or patent application with color drawings(s) will be provided by the Office upon request and payment of the necessary fee.

FIG. 1 is a perspective view of a packaging material with surface pattern, showing our new design;
FIG. 2 is an enlarged detail view of the circumscribed portion (dark circle) of FIG. 1 thereof;
FIG. 3 is a front view of FIG. 1 thereof;
FIG. 4 is a bottom view thereof;
FIG. 5 is a rear view thereof;
FIG. 6 is a top view thereof;
FIG. 7 is a left side view thereof; and,
FIG. 8 is a right side view thereof.

The broken lines are shown for the purpose of both designating an enlargement view and illustrating parts of the article. None of the broken lines form part of the claim.

1 Claim, 3 Drawing Sheets
(1 of 3 Drawing Sheet(s) Filed in Color)



(58) **Field of Classification Search**

USPC D6/546, 672, 675, 678.2, 582–584, 588,
 D6/595, 601, 602, 606, 608, 617, 618,
 D6/622; D9/424, 425, 434, 455, 456,
 D9/749, 761, 762, 414, 432, 433, 457,
 D9/567; D25/55, 56, 60, 111, 112, 113,
 D25/115, 118, 119, 126, 136, 138, 141,
 D25/142, 143, 152, 153, 156, 157, 158,
 D25/159, 163; D30/119, 120, 131, 144,
 D30/145; D32/40, 50, 57; D20/10, 11,
 D20/14

CPC B44F 3/00; B44F 7/00; B44F 5/00; B44F
 11/06; B44F 1/00; B44F 1/08; B44F
 9/00; B44F 9/02; D03D 3/00; D03D 9/00;
 D03D 15/00; D21F 1/0027; D21H 27/02;
 B32B 3/266; B32B 5/024; F41H 3/02

See application file for complete search history.

(56) **References Cited**

U.S. PATENT DOCUMENTS

D98,153 S * 1/1936 Freund D6/601
 D98,154 S * 1/1936 Freund D6/601
 D98,155 S * 1/1936 Freund D6/601
 D119,132 S * 2/1940 Musson D5/47
 D120,777 S * 5/1940 Cummings D5/46
 D121,324 S * 7/1940 Landry D5/46
 D121,695 S * 7/1940 Palmer D2/502
 D124,713 S * 1/1941 Cummings D5/46
 D125,261 S * 2/1941 Cummings D5/46
 D125,262 S * 2/1941 Cummings D5/46
 D126,057 S * 3/1941 Tillman D5/46
 D128,116 S * 7/1941 Koehne D5/46
 D130,796 S * 12/1941 Fenner D5/46
 D133,520 S * 8/1942 Leerer D5/46
 D133,533 S * 8/1942 Leerer D5/46
 D137,839 S * 5/1944 McLaughlin D5/46
 D153,653 S * 5/1949 Weinberg D5/46
 2,526,738 A * 10/1950 Crawshaw B65G 15/54
 139/420 R
 2,772,994 A * 12/1956 Lacy D06Q 1/00
 428/203
 D190,070 S * 4/1961 Jenkins D5/46
 D198,559 S * 6/1964 Jenkins D5/46
 3,439,865 A * 4/1969 Port B65D 31/00
 383/117
 D294,662 S * 3/1988 Davidson D5/46
 D294,663 S * 3/1988 Gosling D5/46
 D345,467 S * 3/1994 Walsh D5/46
 D361,670 S * 8/1995 McMillan D5/46
 D379,687 S * 6/1997 Curtis D30/144

D416,391 S * 11/1999 Wittering D5/46
 D429,420 S * 8/2000 McCartney D5/46
 D439,749 S * 4/2001 Anderson D5/46
 D444,630 S * 7/2001 McCartney D5/46
 D450,934 S * 11/2001 Duritsch D5/58
 D472,391 S * 4/2003 Romero Femenia D5/46
 D472,717 S * 4/2003 Buckle D5/46
 D627,979 S * 11/2010 White D5/46
 D671,991 S 12/2012 Hagglund
 D681,734 S 5/2013 Hagglund
 D708,858 S * 7/2014 Wallace D5/46
 D708,859 S * 7/2014 Wallace D5/46
 D720,139 S * 12/2014 Sullivan D5/46
 D740,034 S * 10/2015 Cleveland D5/46
 D750,906 S * 3/2016 Sullivan D5/46
 D751,301 S * 3/2016 Sullivan D5/46
 D766,598 S * 9/2016 Heidt D5/46
 D864,589 S * 10/2019 Austin D5/56
 D878,059 S * 3/2020 Sim D5/46
 2008/0163952 A1 * 7/2008 Huang D03D 15/0033
 139/317
 2012/0037263 A1 * 2/2012 Malloy D03D 3/005
 139/387 R
 2016/0008868 A1 * 1/2016 Apdalhaliem B32B 1/08
 29/897.3
 2016/0061375 A1 * 3/2016 Parks B32B 5/08
 442/327

OTHER PUBLICATIONS

Wholesale Flannel Yarn Dyed Plaid Fabric: Site Visited [May 3, 2020, Online]. Available from Internet URL: <https://fabricdirect.com/acatalog/wholesale-flannel-yarn-dyed-plaid-fabric-brent-blue-110-yard-roll.html>.*

Black and Blue Plaid Print Vinyl: Announced Dec. 19, 2016 [online]. Site Visited [May 3, 2020]. Available from Internet URL: <https://www.etsy.com/listing/645601844/black-and-blue-plaid-print-vinyl-craft>.*

Glacier Plaid Superfleece Flannel: Site Visited May 3, 2020 [online]. Available from Internet URL: <https://us.oneill.com/products/fa9104208-dkb-glacier-plaid>.*

Scotch Flex & Seal Shipping Roll: Announced Jun. 13, 2019 [online]. Site Visited [May 7, 2020]. Available from Internet URL: https://www.scotchbrand.com/3M/en_US/scotch-brand/tips-uses/flexandseal/.*

Poppy Plaid Burgundy Drapery: Announced May 22, 2016 [online]. Site Visited [May 8, 2020]. Available from Internet URL: https://www.kovifabrics.com/search/product_detail/313.*

The Scottish Register of Tartans, “Wallace,” STA ref:1208, STWR Ref: 1208; Jan. 1, 1800, <https://www.tartanregister.gov.uk/tartanDetails?ref=4482>, accessed Jul. 22, 2019.

* cited by examiner

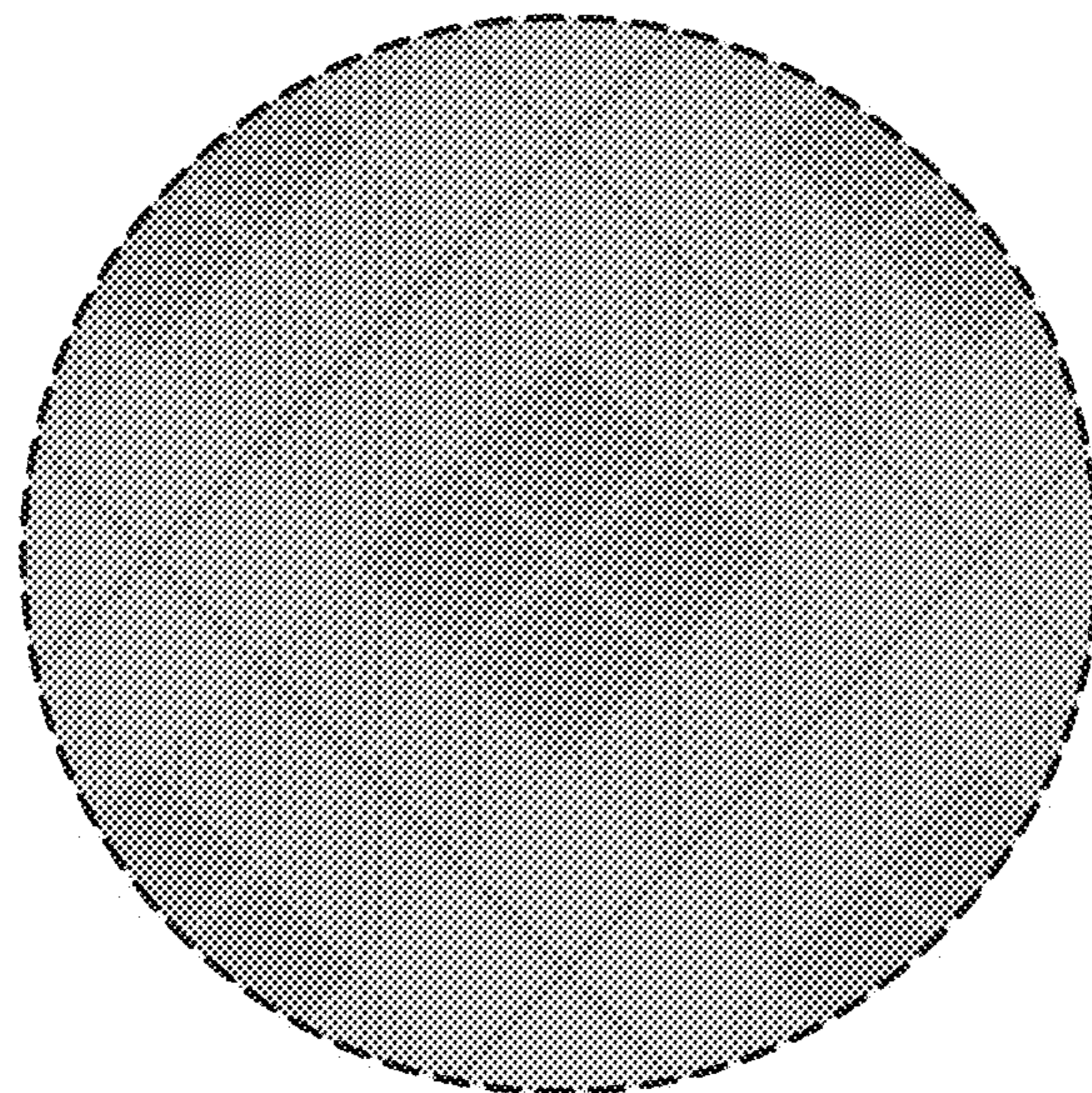
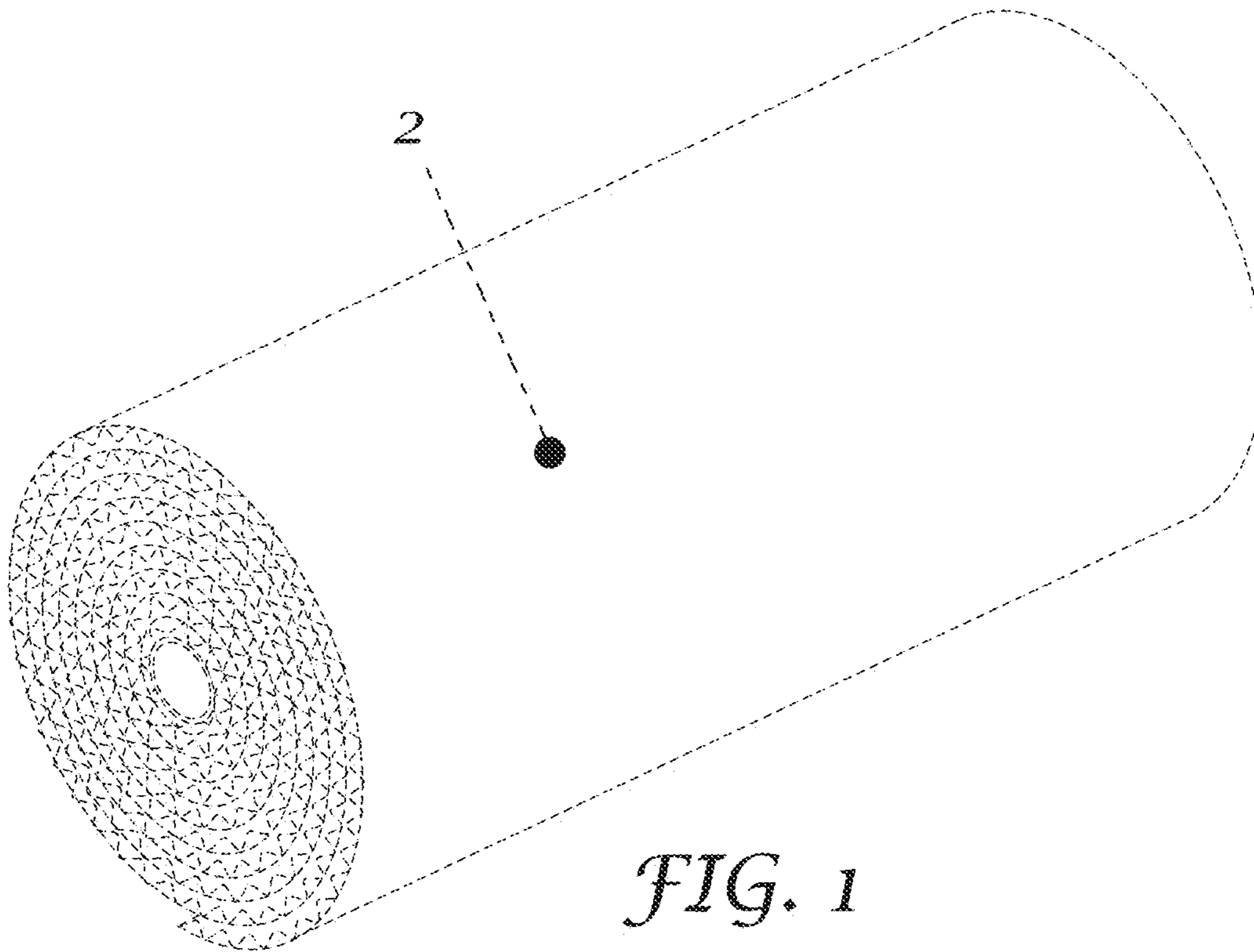




FIG. 3



FIG. 4



FIG. 5



FIG. 6

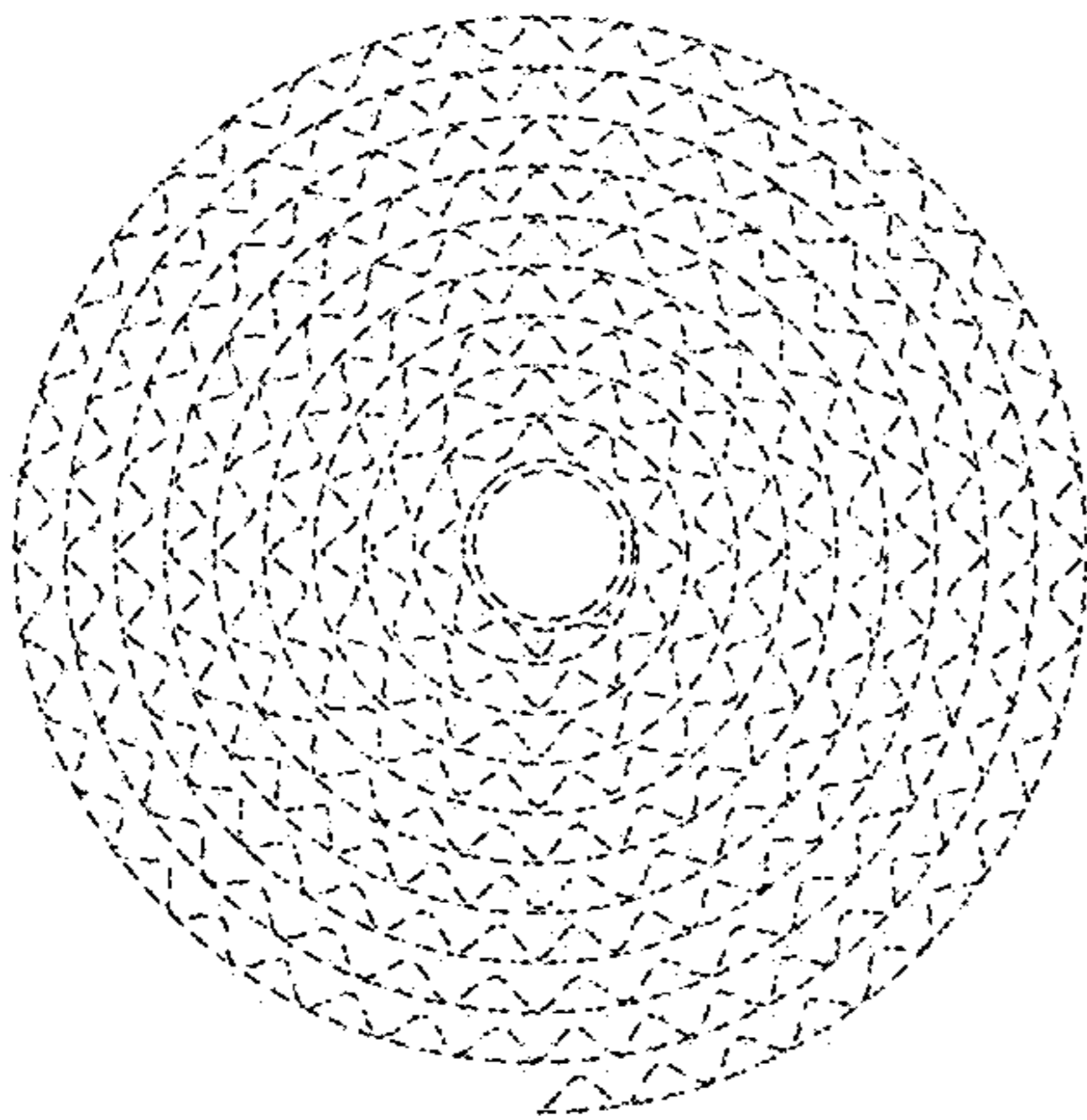


FIG. 7

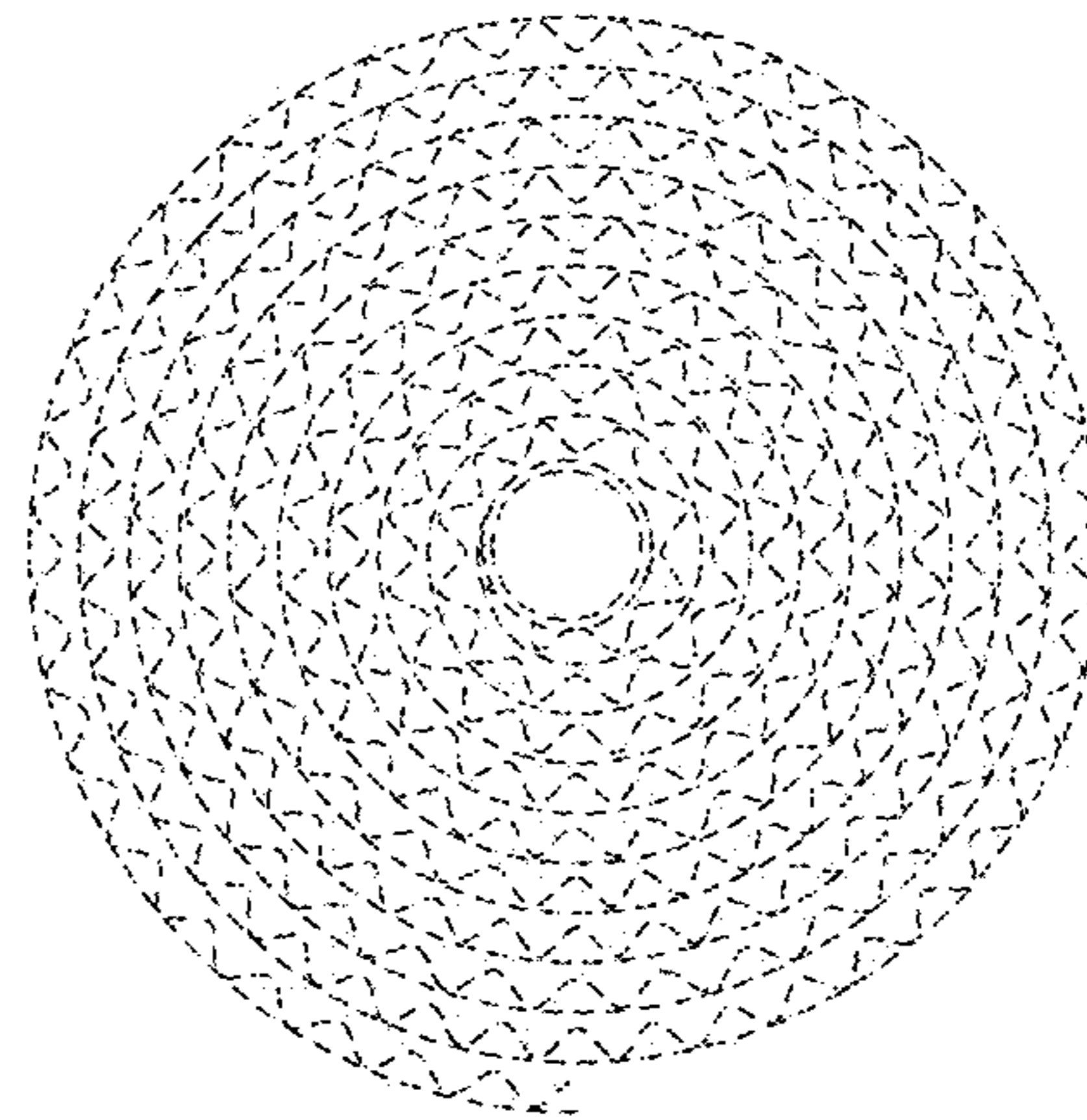


FIG. 8