



US00D891924S

(12) **United States Design Patent**
Mitchell

(10) **Patent No.:** **US D891,924 S**

(45) **Date of Patent:** **** Aug. 4, 2020**

(54) **BEVERAGE CAP**

(71) Applicant: **Jerry O. Mitchell**, Harrisburg, PA (US)

(72) Inventor: **Jerry O. Mitchell**, Harrisburg, PA (US)

(**) Term: **15 Years**

(21) Appl. No.: **29/686,475**

(22) Filed: **Apr. 4, 2019**

(51) **LOC (12) Cl.** **09-07**

(52) **U.S. Cl.**
USPC **D9/454**

(58) **Field of Classification Search**

USPC D3/200, 201, 203.1, 203.2, 203.4;
D6/677; D7/300, 300.2, 387, 391, 392,
D7/302.1, 396.1, 396.2, 397, 398, 509,
D7/510, 511, 601, 602, 619.1, 900, 523,
D7/528, 529, 537, 553.6, 554.1, 566,
D7/600.1, 624.1, 624.2, 300.1, 305,
D7/392.1; D9/686, 690, 434, 435, 439,
D9/446, 447, 452, 454, 414, 418, 422,
D9/423, 424, 428, 431, 436, 503, 504,
D9/549, 721, 444, 445, 455, 456;
D24/121, 127, 193, 194, 196, 197, 199,
D24/216, 224; D27/100, 102, 126, 133,
D27/172, 175, 183, 186; D30/121, 123,
D30/129, 131; D11/152, 153, 40, 43, 44,
D11/89, 90, 143, 164; D23/233, 259,
D23/260, 261

CPC B65D 25/54; B65D 25/106; B65D 25/22;
B65D 25/24; B65D 39/0005; B65D
43/06; B65D 51/24; B65D 51/245; B65D
2201/00; B65D 2543/00046; B65D
2543/00092; B65D 2543/00555; B65D
47/08; B65D 47/32; B65D 41/16; B65D
41/02; B65D 41/18; B65D 43/0212;
B65D 43/20; B65D 2251/009; B65D
2251/0028; B65D 2251/0081; B65D
21/0223; B65D 21/02; B65D 21/265;
B65D 2215/00; B65D 2215/02; B65D
50/00; B65D 50/041; B65D 50/04; A47F

3/145; A45D 34/02; A47J 36/10; A47J
36/14; A47J 36/06; A47G 19/222; A47G
19/226; A47G 19/2272; A47G 19/2294;
A47G 19/2205

See application file for complete search history.

(56) **References Cited**

U.S. PATENT DOCUMENTS

1,567,234 A * 12/1925 Brucker A21B 3/13
249/136
3,472,410 A * 10/1969 Turner B65D 50/041
215/206
3,850,327 A * 11/1974 Robinson B65D 50/04
215/225

(Continued)

Primary Examiner — Catherine S Posthauer

(74) *Attorney, Agent, or Firm* — McNeese, Wallace &
Nurick LLC

(57) **CLAIM**

The ornamental design for a beverage cap, as shown and
described.

DESCRIPTION

FIG. 1 is a top-front perspective view of a beverage cap,
showing the design;

FIG. 2 is a bottom-front perspective view thereof;

FIG. 3 is a top plan view thereof;

FIG. 4 is a bottom plan view thereof;

FIG. 5 is a front view thereof;

FIG. 6 is a rear view thereof;

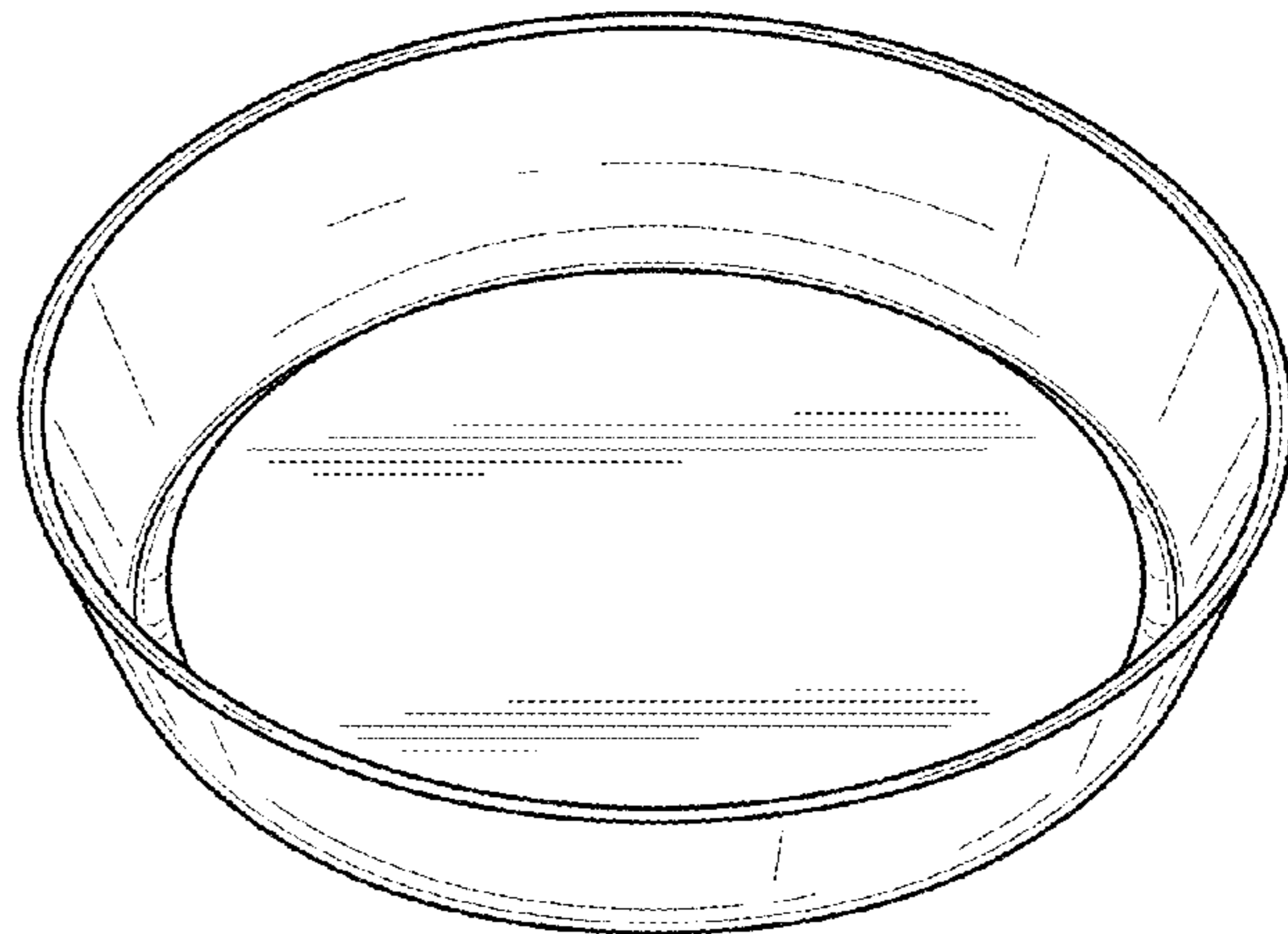
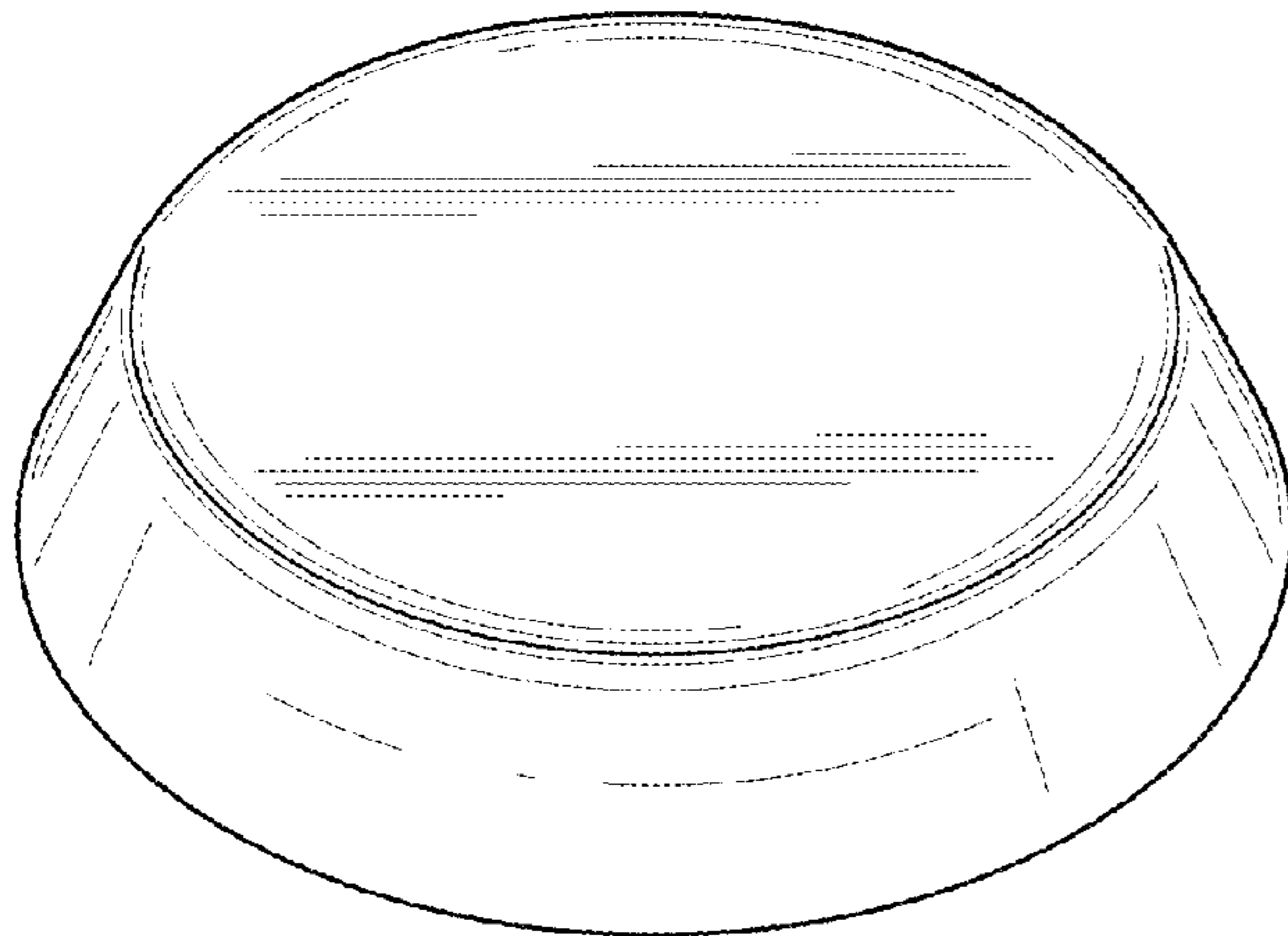
FIG. 7 is a right view thereof;

FIG. 8 is a left view thereof; and,

FIG. 9 is a top-front perspective view of the beverage cap,
showing the design in a position of use with an exemplary
beverage container.

The broken lines are shown for the purpose of illustrating
environmental subject matter of an exemplary beverage
container and form no part of the claimed design.

1 Claim, 4 Drawing Sheets



(56)

References Cited

U.S. PATENT DOCUMENTS

4,027,776 A * 6/1977 Douglas B65D 43/021
 220/281
 4,197,940 A * 4/1980 Derossett A47G 19/26
 220/780
 D289,720 S * 5/1987 Maher D7/396.2
 4,771,903 A * 9/1988 Levene B65B 7/2878
 156/69
 4,832,217 A * 5/1989 Lin B65D 50/041
 215/220
 5,353,926 A * 10/1994 Yeh A47G 23/03
 206/217
 5,377,861 A * 1/1995 Landis B65D 43/0212
 206/508
 D472,770 S * 4/2003 Wellner D7/545
 6,685,049 B1 * 2/2004 Paladino B65D 25/205
 206/515
 6,711,989 B1 * 3/2004 Sarnoff A47J 36/022
 220/573.1
 D565,253 S * 3/2008 Modi D30/129
 D597,838 S * 8/2009 Stuart D9/435
 D598,238 S * 8/2009 Durdon D7/354
 D601,309 S * 9/2009 Babal D30/129
 D602,651 S * 10/2009 Modi D30/129
 D618,500 S * 6/2010 Hardaway D7/396.2
 D660,651 S * 5/2012 Peters D7/587
 D673,851 S * 1/2013 Yates D9/452

D690,166 S * 9/2013 Montgomery D7/586
 D718,004 S * 11/2014 Stovall D30/129
 D760,549 S * 7/2016 Haytayan D7/624.1
 D769,120 S * 10/2016 Albuquerque D9/454
 D776,536 S * 1/2017 Emoff D9/455
 D782,882 S * 4/2017 Haytayan D7/624.1
 D791,545 S * 7/2017 Li D7/554.2
 D799,963 S * 10/2017 Akiyama D9/454
 9,784,302 B2 * 10/2017 Reiner F16B 45/00
 D804,900 S * 12/2017 Choe D7/509
 D811,215 S * 2/2018 Wu D9/428
 D834,447 S * 11/2018 Van Smirren A47G 7/06
 D11/143
 D871,130 S * 12/2019 Reiner D7/391
 D871,619 S * 12/2019 Wrobel D26/9
 10,526,115 B1 * 1/2020 Hawry B65D 50/04
 2008/0302795 A1 * 12/2008 Berglund B65D 1/265
 220/212
 2013/0220965 A1 * 8/2013 Jung B65D 50/04
 215/217
 2014/0193560 A1 * 7/2014 Viancin A47J 27/58
 426/523
 2015/0231673 A1 * 8/2015 Dallas B65D 51/1644
 206/223
 2015/0305349 A1 * 10/2015 Johnson A47J 37/0611
 426/138
 2016/0176591 A1 * 6/2016 Thomas B65D 50/046
 215/218
 2018/0279835 A1 * 10/2018 He A47J 36/06
 * cited by examiner

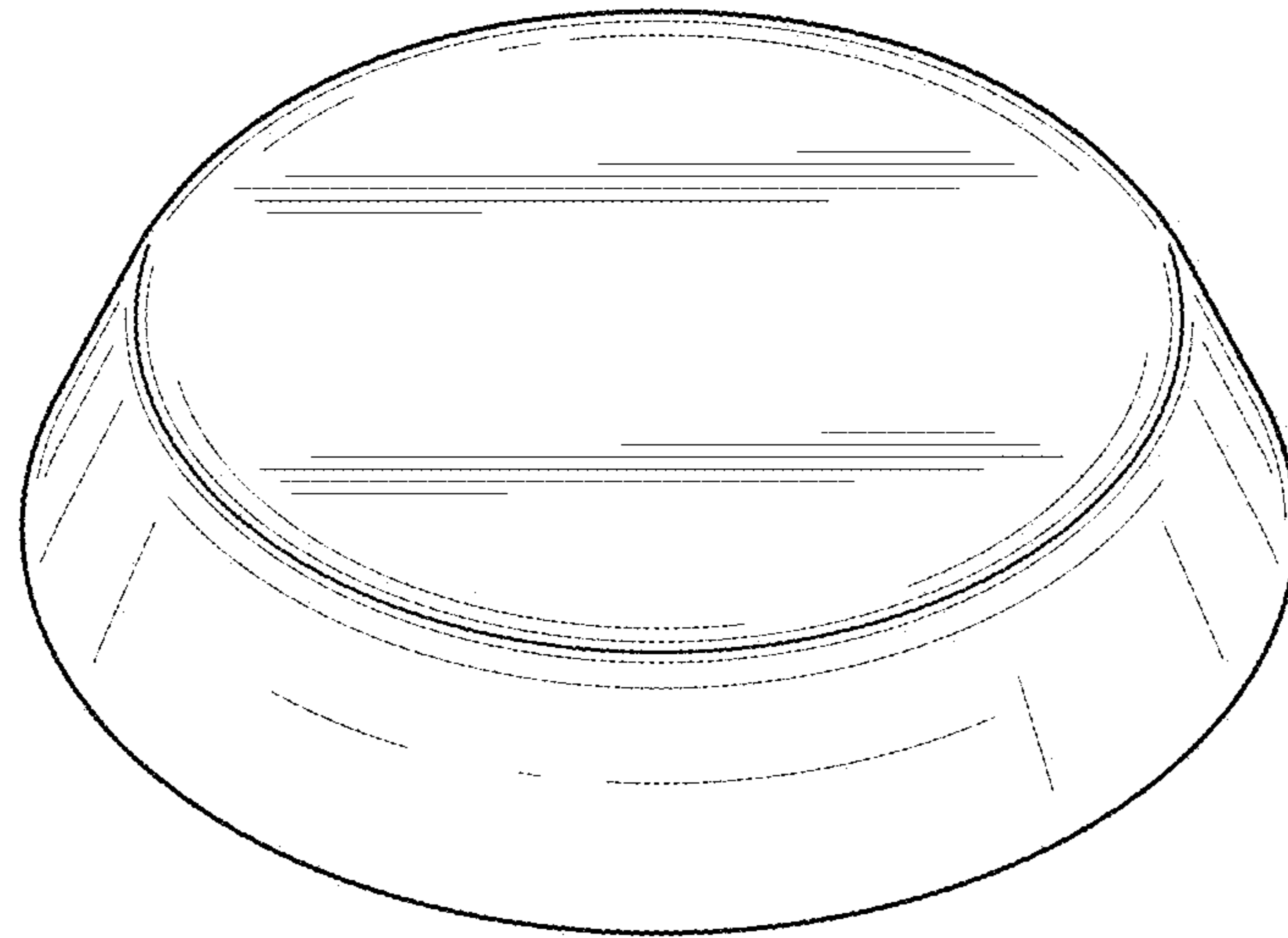


FIG. 1

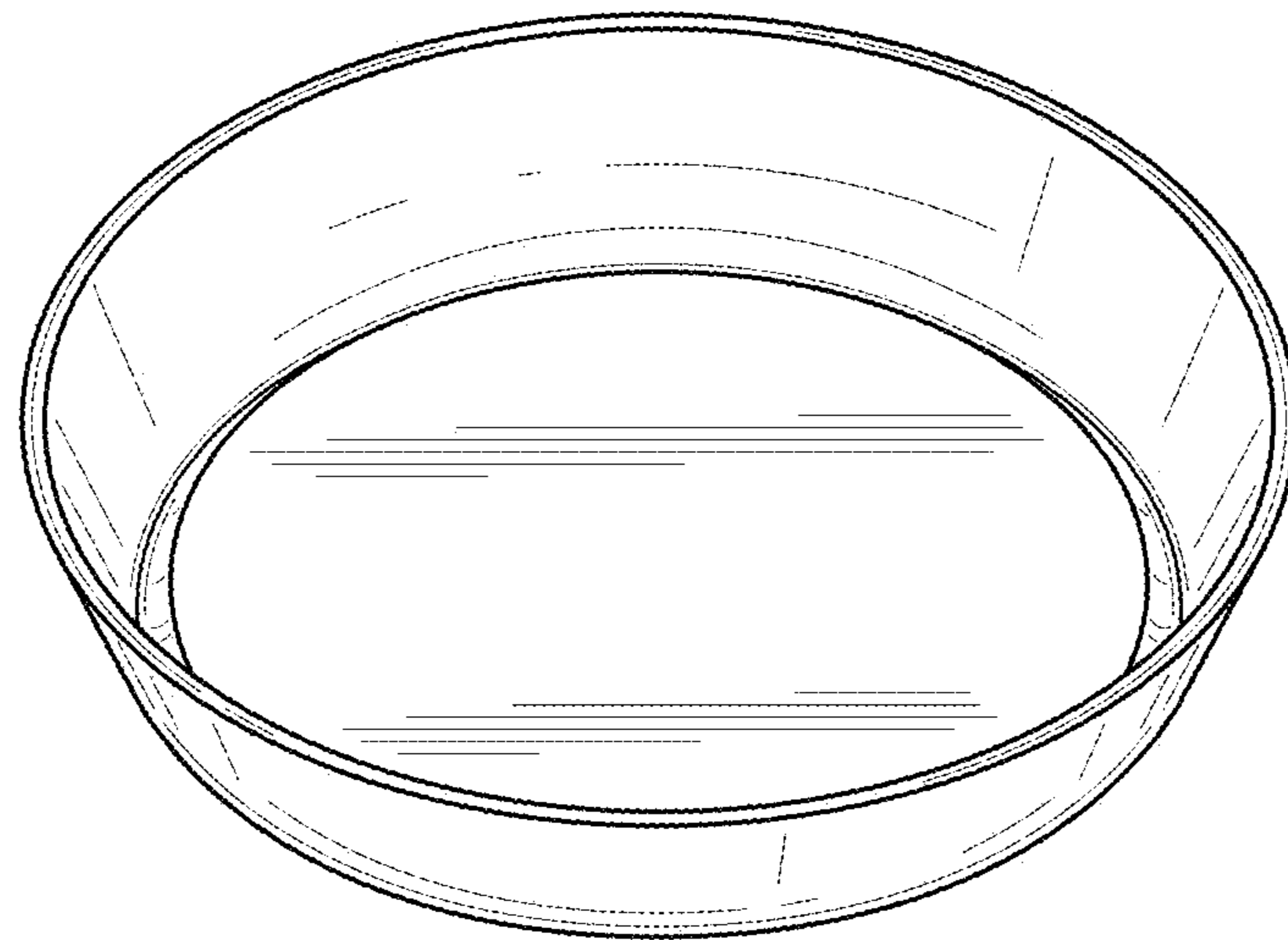


FIG. 2

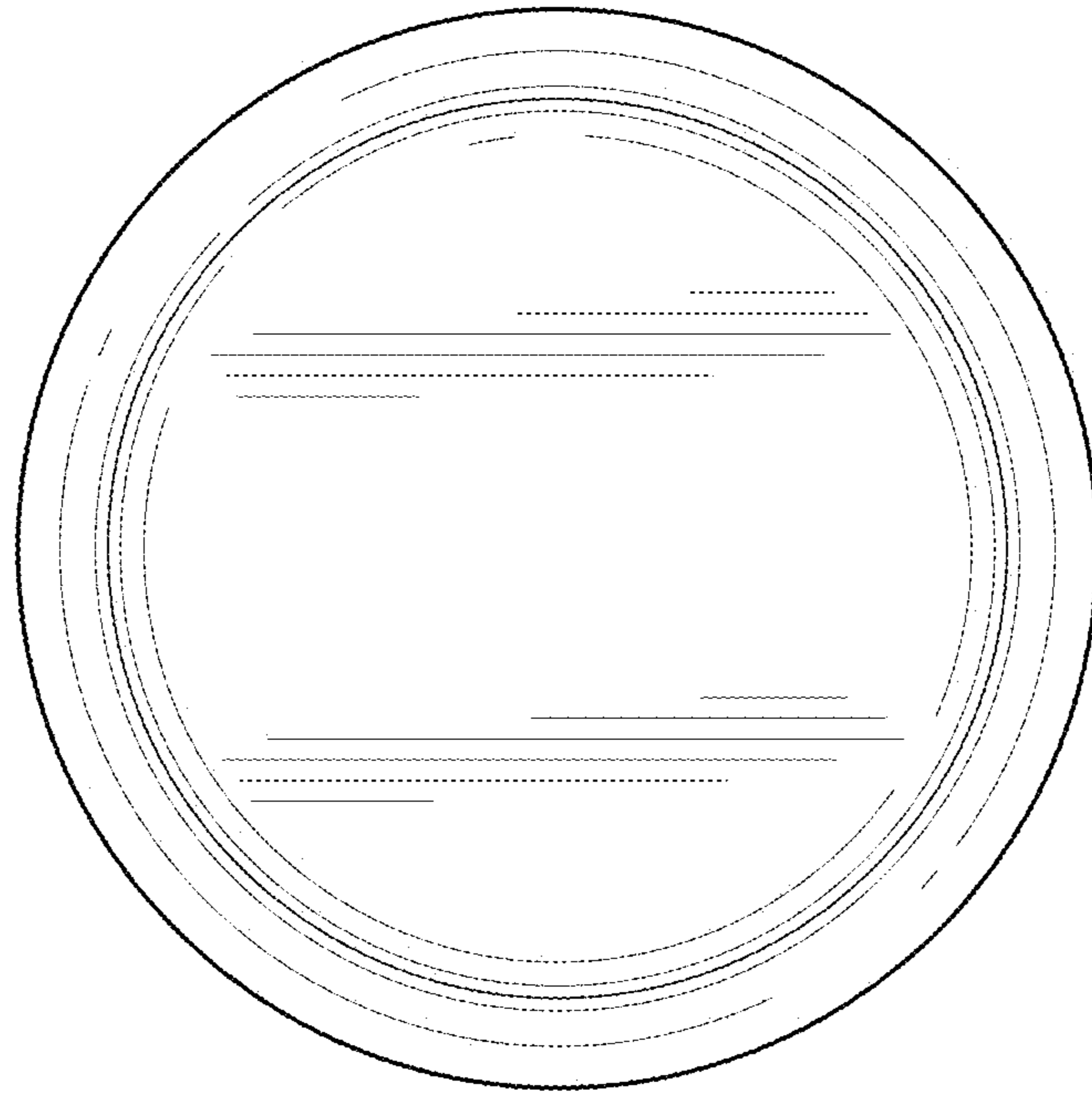


FIG. 3

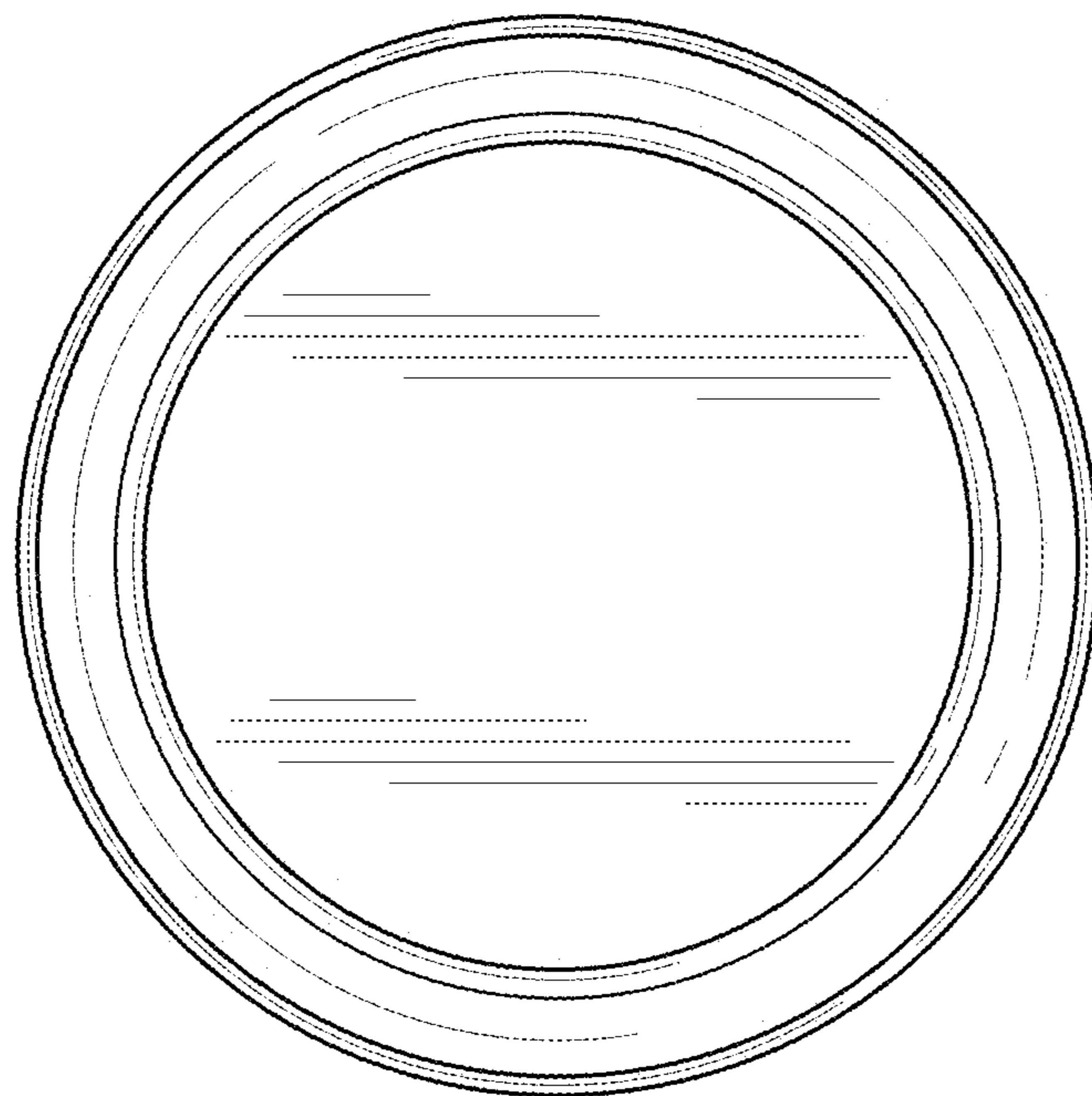


FIG. 4

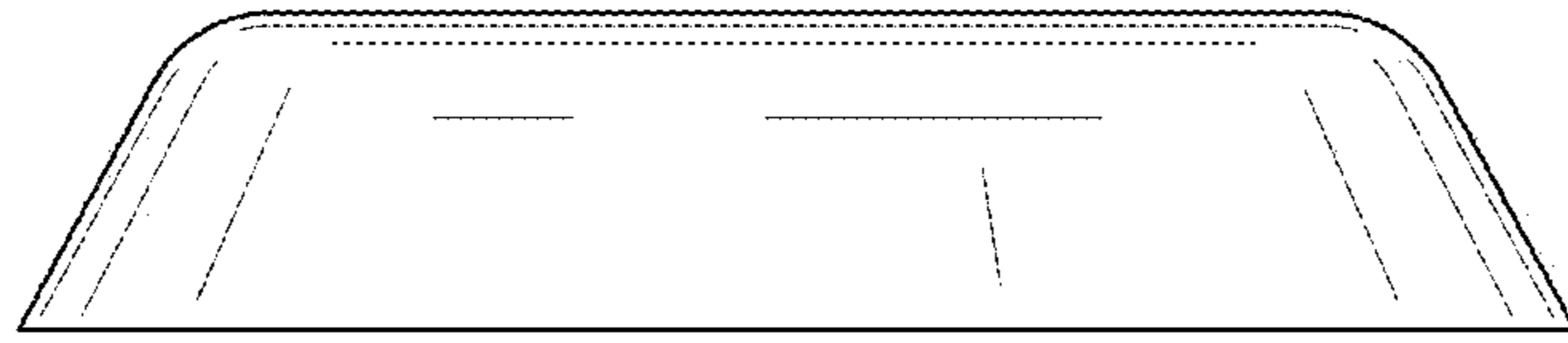


FIG. 5

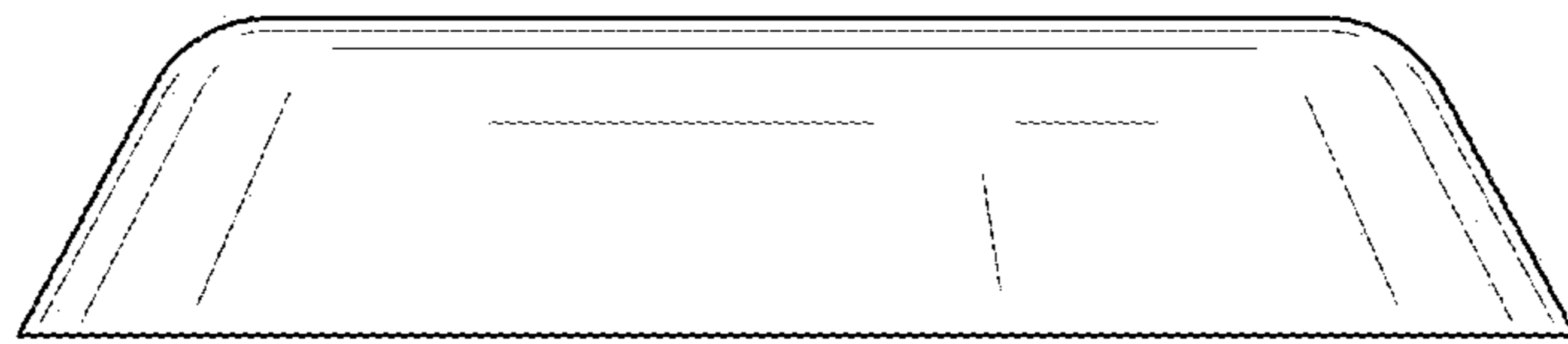


FIG. 6

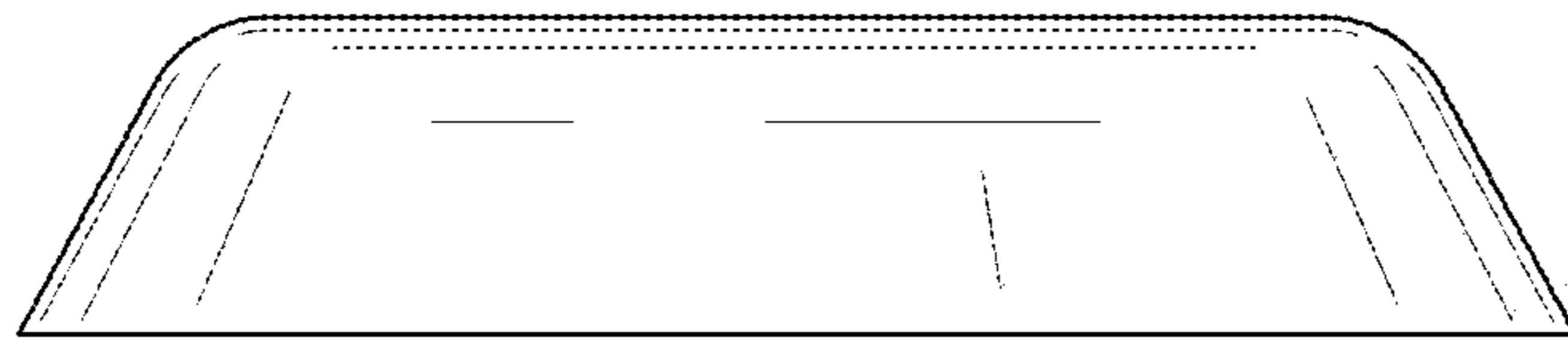


FIG. 7

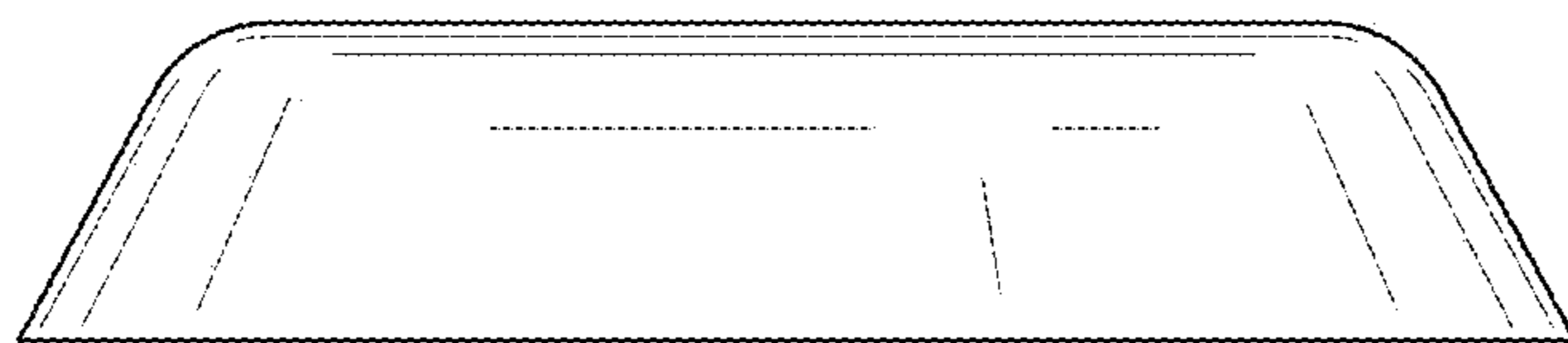


FIG. 8

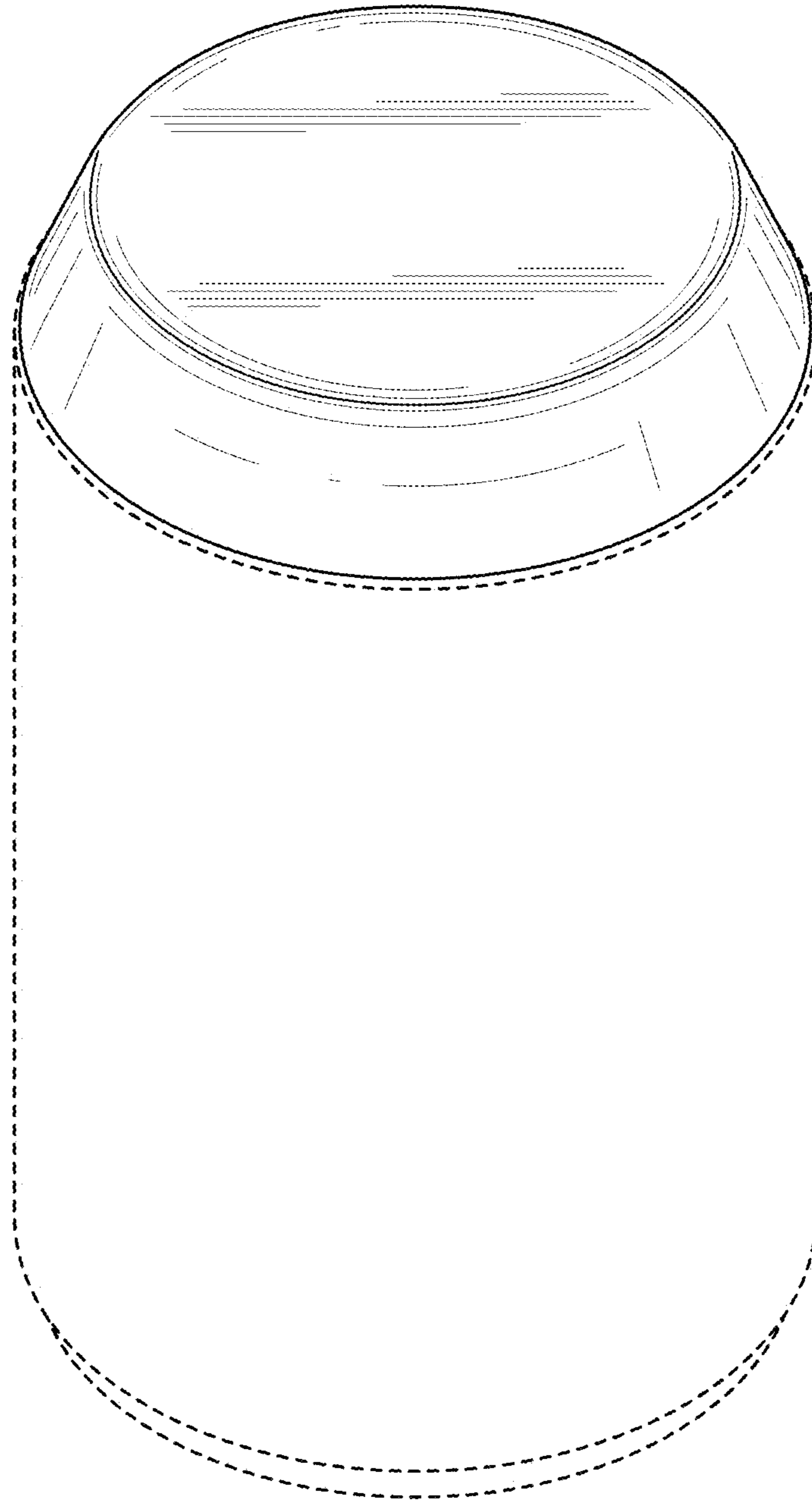


FIG. 9