



US00D891922S

(12) **United States Design Patent**  
**Rouw**

(10) **Patent No.:** **US D891,922 S**  
(45) **Date of Patent:** **\*\* Aug. 4, 2020**

(54) **PACKAGING**

(71) Applicant: **Borouge Pte Ltd.**, Abu Dhabi (AE)

(72) Inventor: **Michiel Rouw**, Terneuzen (NL)

(73) Assignee: **Borouge Pte Ltd.**, Abu Dhabi (AE)

(\*\*) Term: **15 Years**

(21) Appl. No.: **29/674,625**

(22) Filed: **Dec. 21, 2018**

(30) **Foreign Application Priority Data**

Jun. 27, 2018 (EM) ..... 005326790

(51) **LOC (12) Cl.** ..... **09-03**

(52) **U.S. Cl.**  
USPC ..... **D9/432**

(58) **Field of Classification Search**

USPC ..... D9/414-423, 424-429, 430-433, 434,  
D9/456, 457, 711, 713, 721-722, 737,  
D9/756, 758, 759, 760; D20/10, 22, 27,  
D20/40, 42; D3/272-274, 290, 304, 305,  
D3/315  
CPC ... B65D 5/00; B65D 5/02; B65D 5/18; B65D  
5/20

See application file for complete search history.

(56) **References Cited**

**U.S. PATENT DOCUMENTS**

D184,794 S \* 4/1959 Barber ..... D7/333  
D627,222 S \* 11/2010 Oravez ..... D9/432

D653,878 S \* 2/2012 Ernst ..... D6/699  
D723,146 S \* 2/2015 Lawrence ..... D23/343  
D723,147 S \* 2/2015 Lawrence ..... D23/343  
D723,148 S \* 2/2015 Lawrence ..... D23/343  
D734,667 S \* 7/2015 Schotsman ..... D11/155  
D782,298 S \* 3/2017 de Baschmakoff ..... D9/432  
D785,974 S \* 5/2017 Price ..... D6/663  
D785,990 S \* 5/2017 Price ..... D23/345  
D785,992 S \* 5/2017 Price ..... D6/699.2  
D785,993 S \* 5/2017 Price ..... D6/699.2  
D826,712 S \* 8/2018 Servaire ..... D9/432

\* cited by examiner

*Primary Examiner* — Vy N Koenig

(74) *Attorney, Agent, or Firm* — Lowenstein Sandler LLP

(57) **CLAIM**

The ornamental design for packaging, as shown and described.

**DESCRIPTION**

FIG. 1 is a perspective view of a packaging showing our new design in accordance with a first embodiment of the invention;

FIG. 2 is a side elevational view thereof;

FIG. 3 is a top plan view thereof;

FIG. 4 is a bottom plan view thereof;

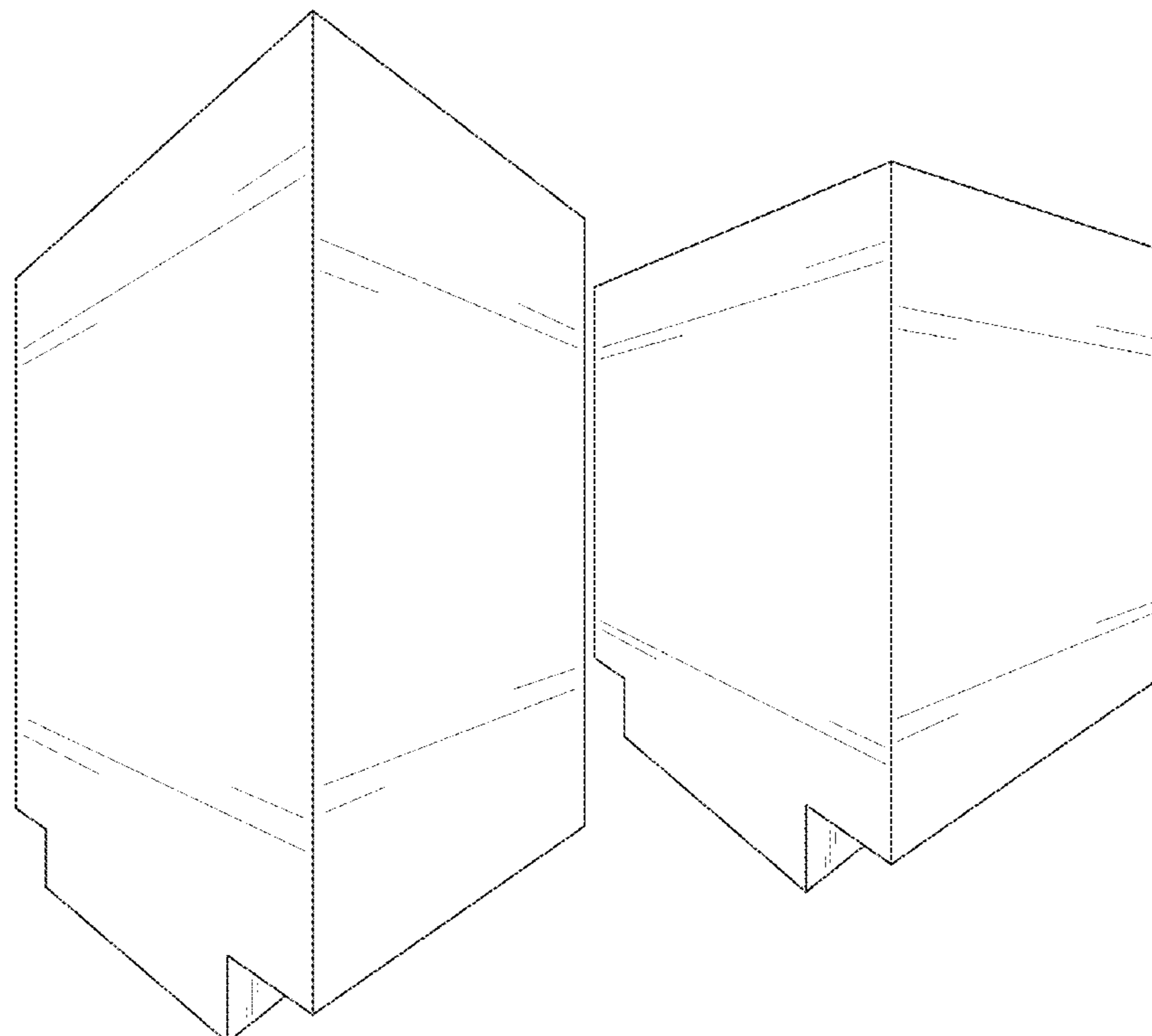
FIG. 5 is a perspective view of a packaging showing our new design in accordance with a second embodiment of the invention;

FIG. 6 is a side elevational view thereof;

FIG. 7 is a top plan view thereof; and,

FIG. 8 is a bottom plan view thereof.

**1 Claim, 8 Drawing Sheets**



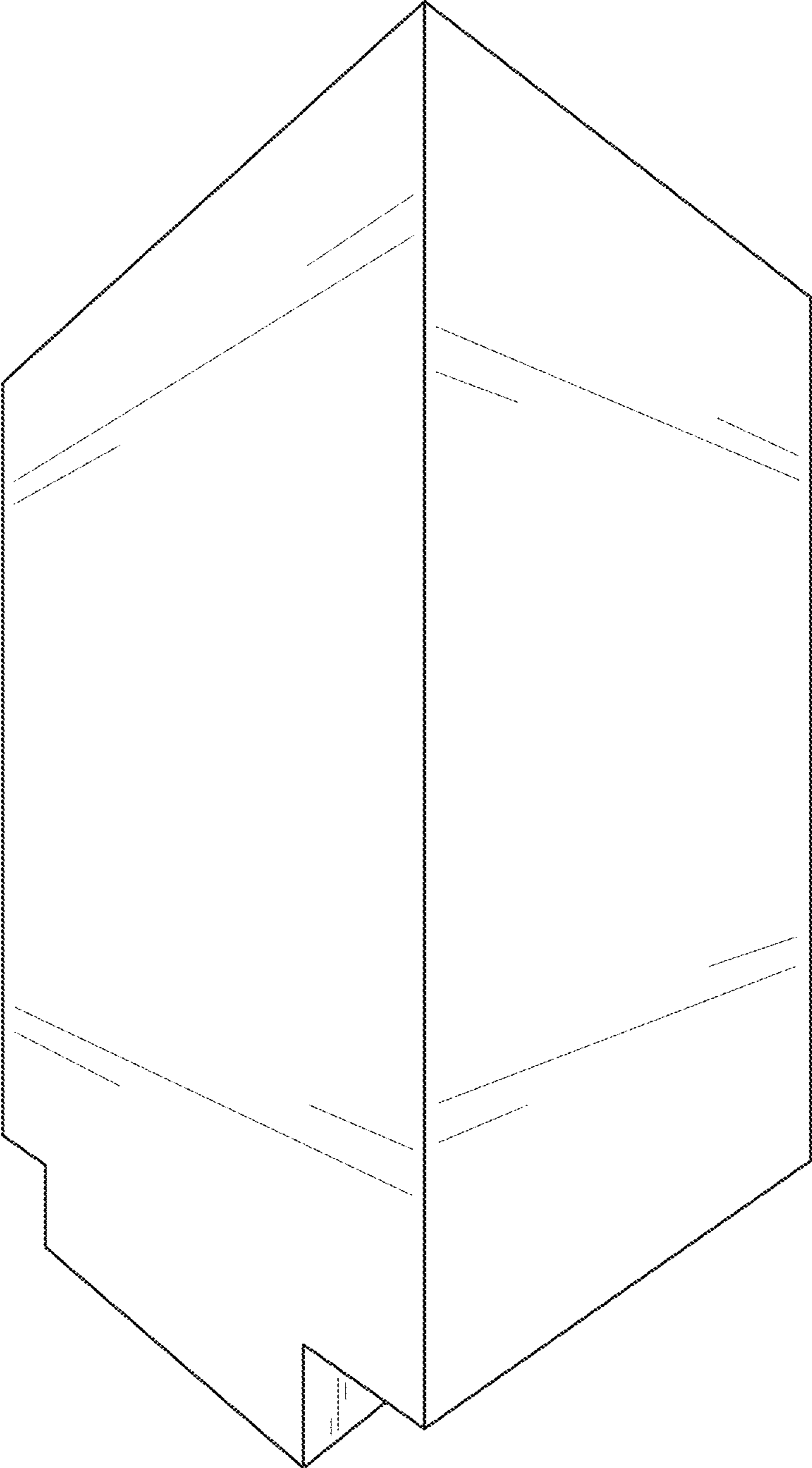


FIG. 1

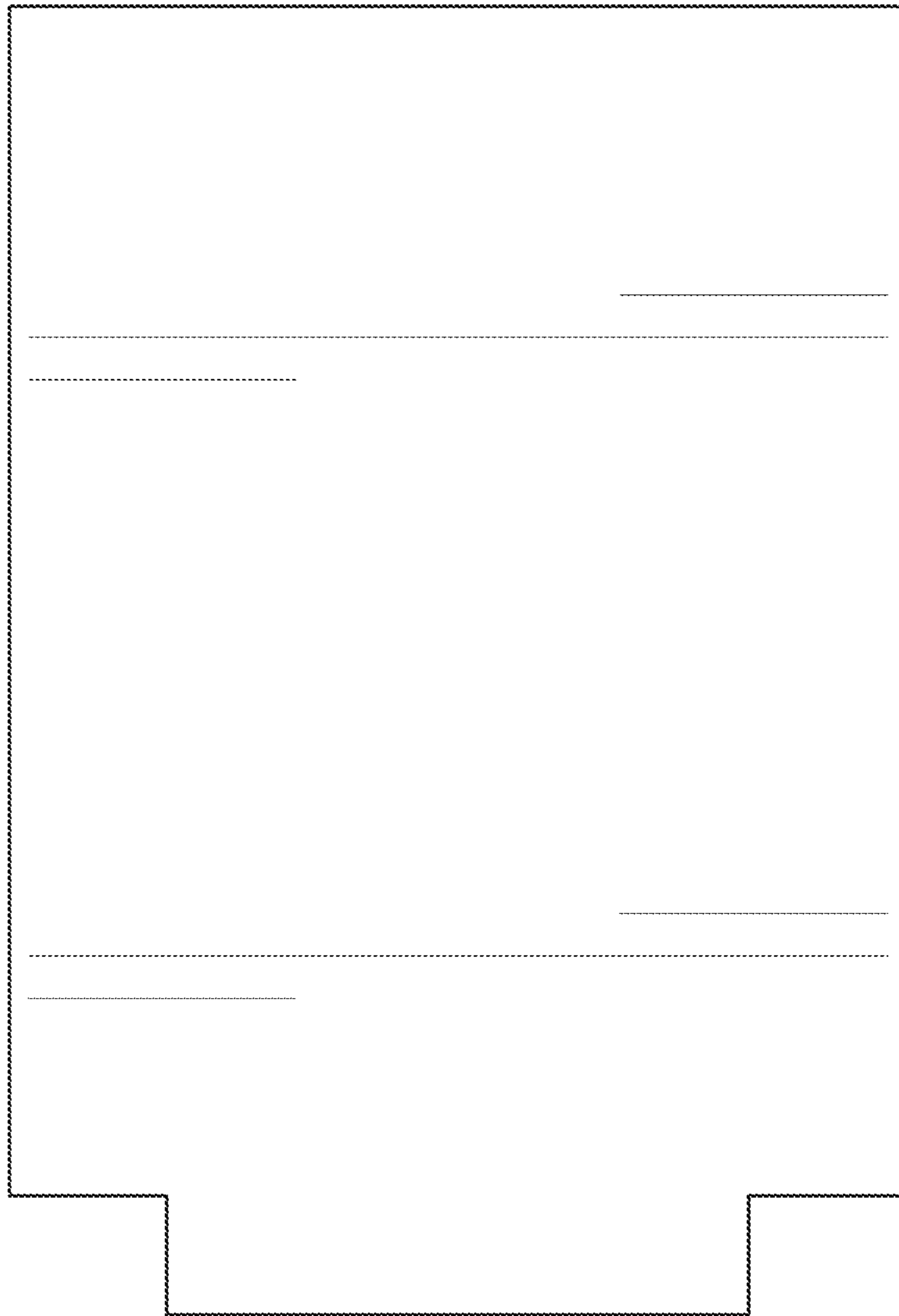


FIG. 2

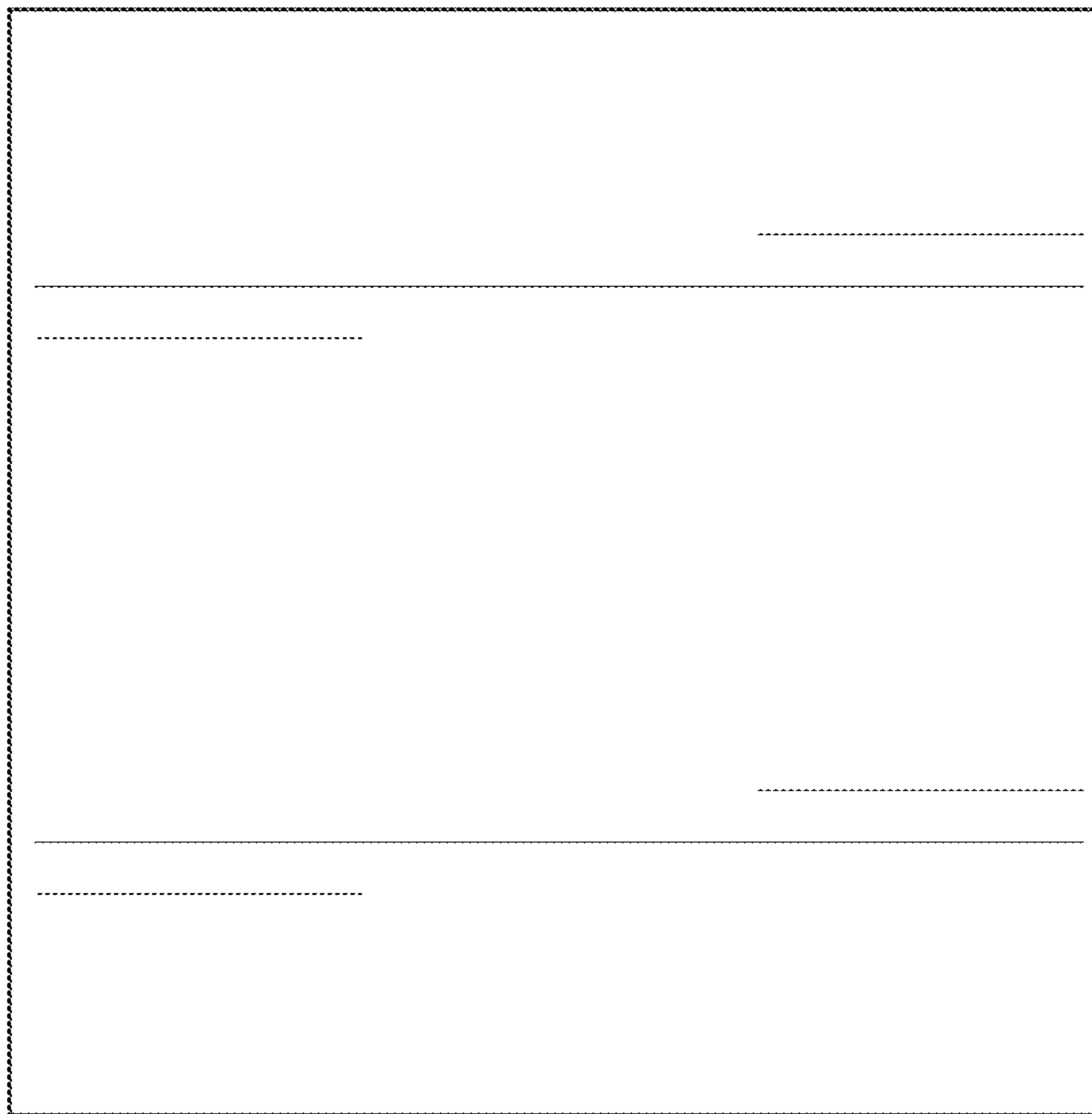


FIG. 3

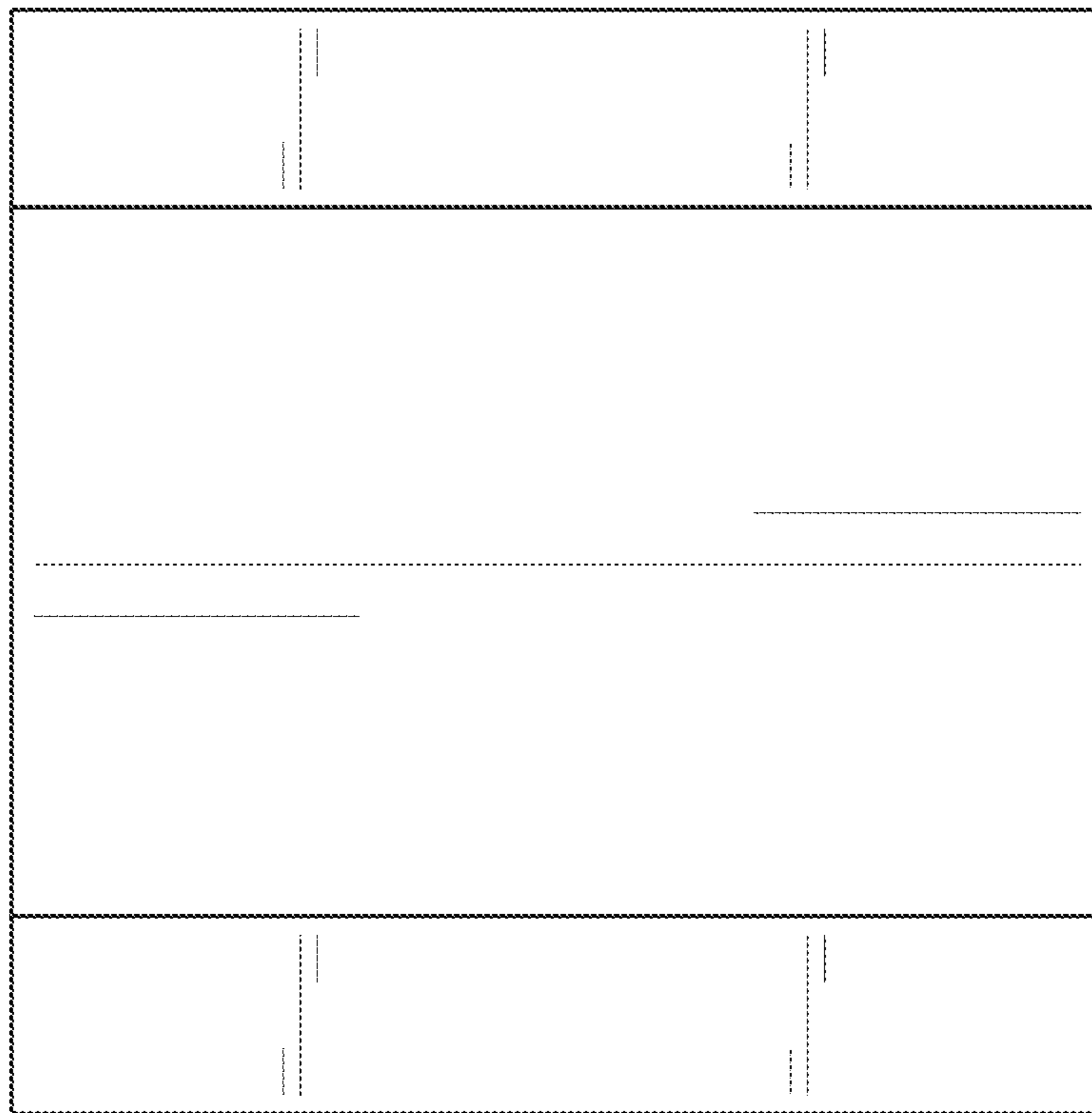


FIG. 4

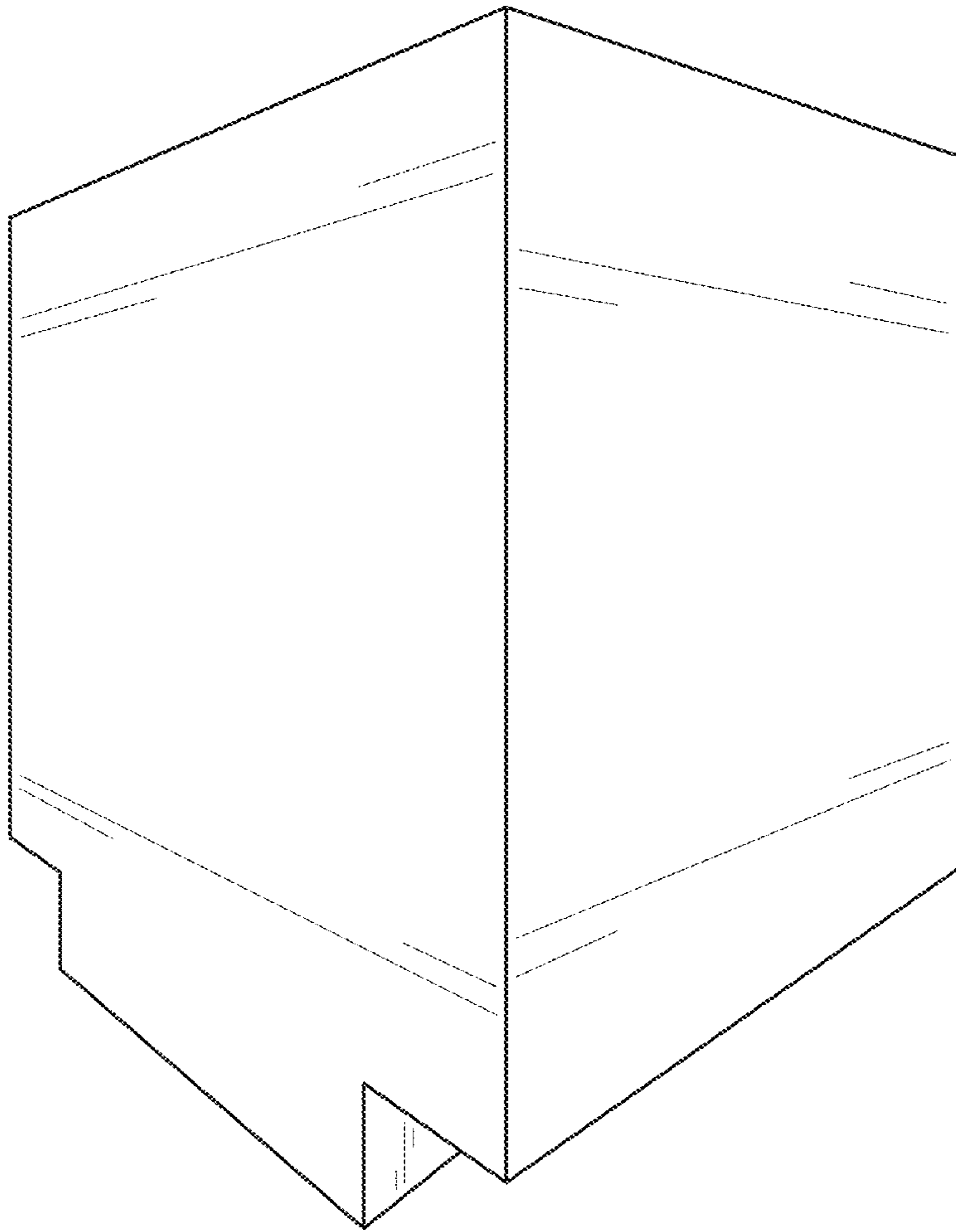


FIG. 5

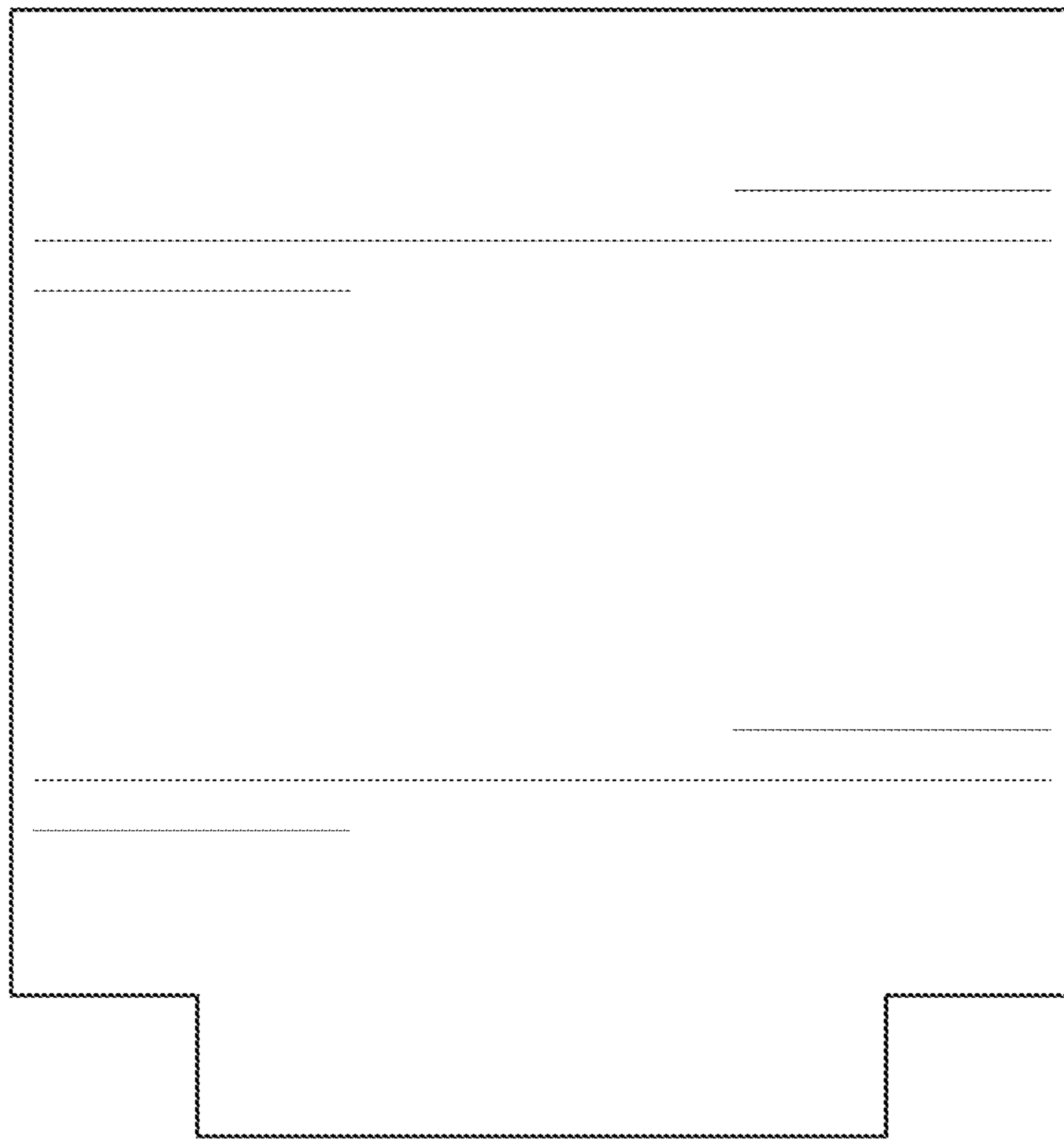


FIG. 6

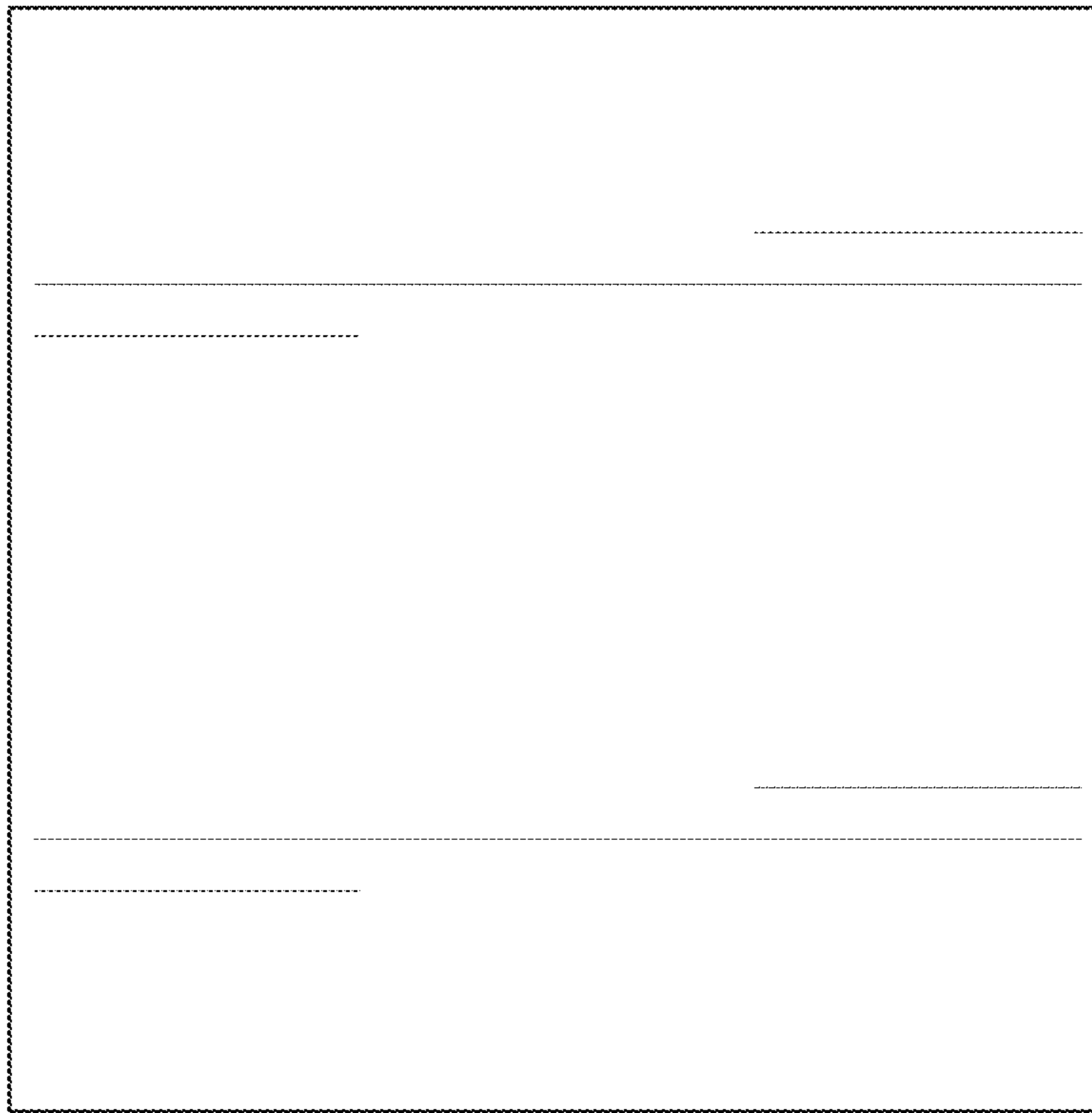


FIG. 7



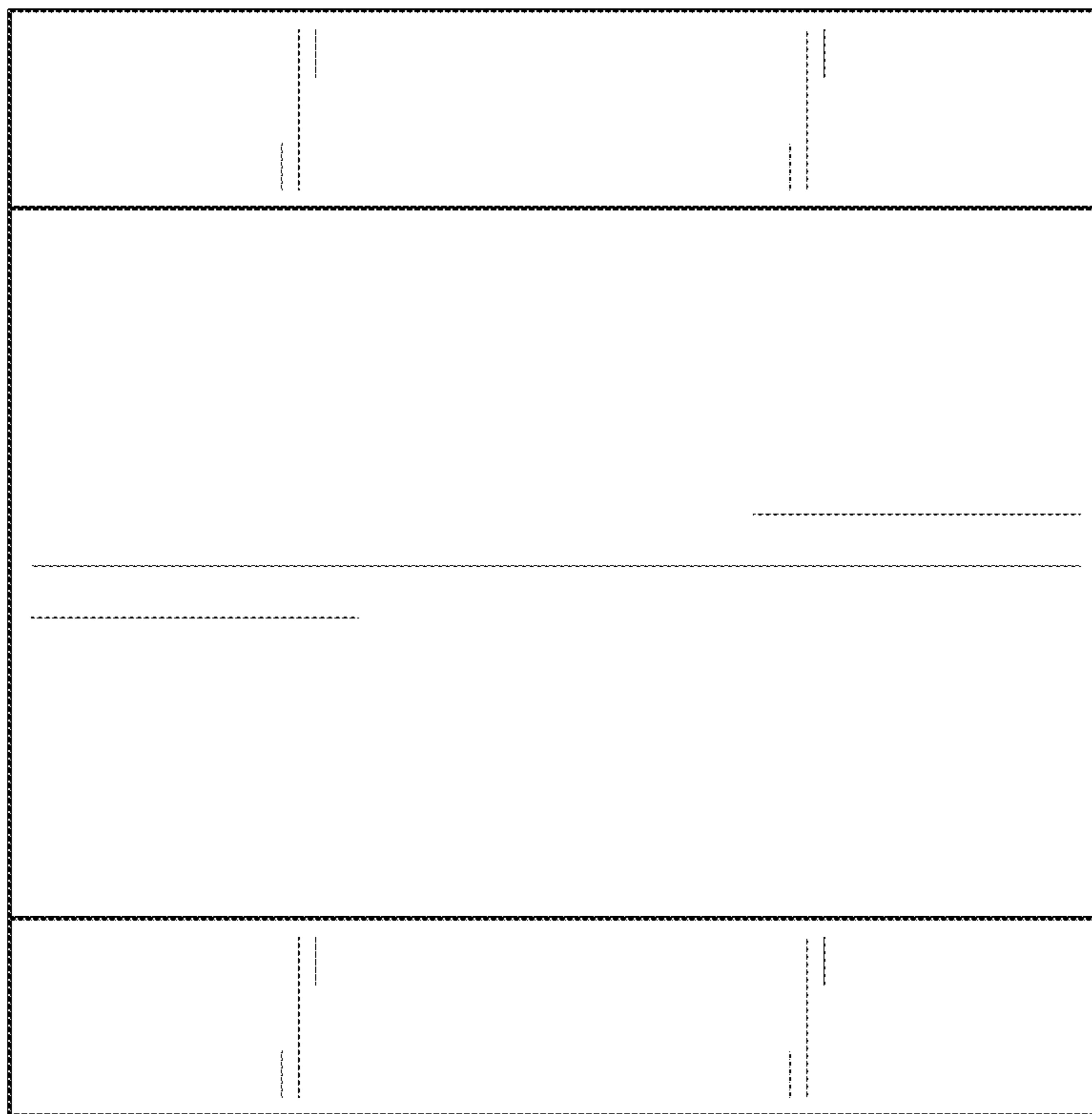


FIG. 8