



US00D891920S

(12) **United States Design Patent**
Sill et al.

(10) **Patent No.:** **US D891,920 S**

(45) **Date of Patent:** **** Aug. 4, 2020**

(54) **CARTON**

(71) Applicant: **Inno-Pak, LLC**, Delaware, OH (US)

(72) Inventors: **Jonathan D. Sill**, Delaware, OH (US);
Steven A. Mayer, Indianapolis, IN (US)

(73) Assignee: **INNO-PAK, LLC**, Delaware, OH (US)

(**) Term: **15 Years**

(21) Appl. No.: **29/655,774**

(22) Filed: **Jul. 6, 2018**

(51) **LOC (12) Cl.** **09-03**

(52) **U.S. Cl.**

USPC **D9/432**; D9/418; D9/737

(58) **Field of Classification Search**

USPC D9/414–423, 424–429, 430–433, 434,
D9/456, 457, 711, 713, 721–722, 737,
(Continued)

(56) **References Cited**

U.S. PATENT DOCUMENTS

2,222,211 A * 11/1940 Arneson B65D 71/0051
206/170
D182,375 S * 3/1958 Moore D9/711
(Continued)

OTHER PUBLICATIONS

Cup Drink Carrier Handled Field Cont. [online] Published on Oct. 21, 2014. Retrieved Jul. 23, 2019 from URL: <https://ddi.sinkpaper.com/productdetail2.aspx?dataid=888-02051-300>.*

(Continued)

Primary Examiner — Vy N Koenig

(74) *Attorney, Agent, or Firm* — Ward and Smith, PA;
Ryan K. Simmons

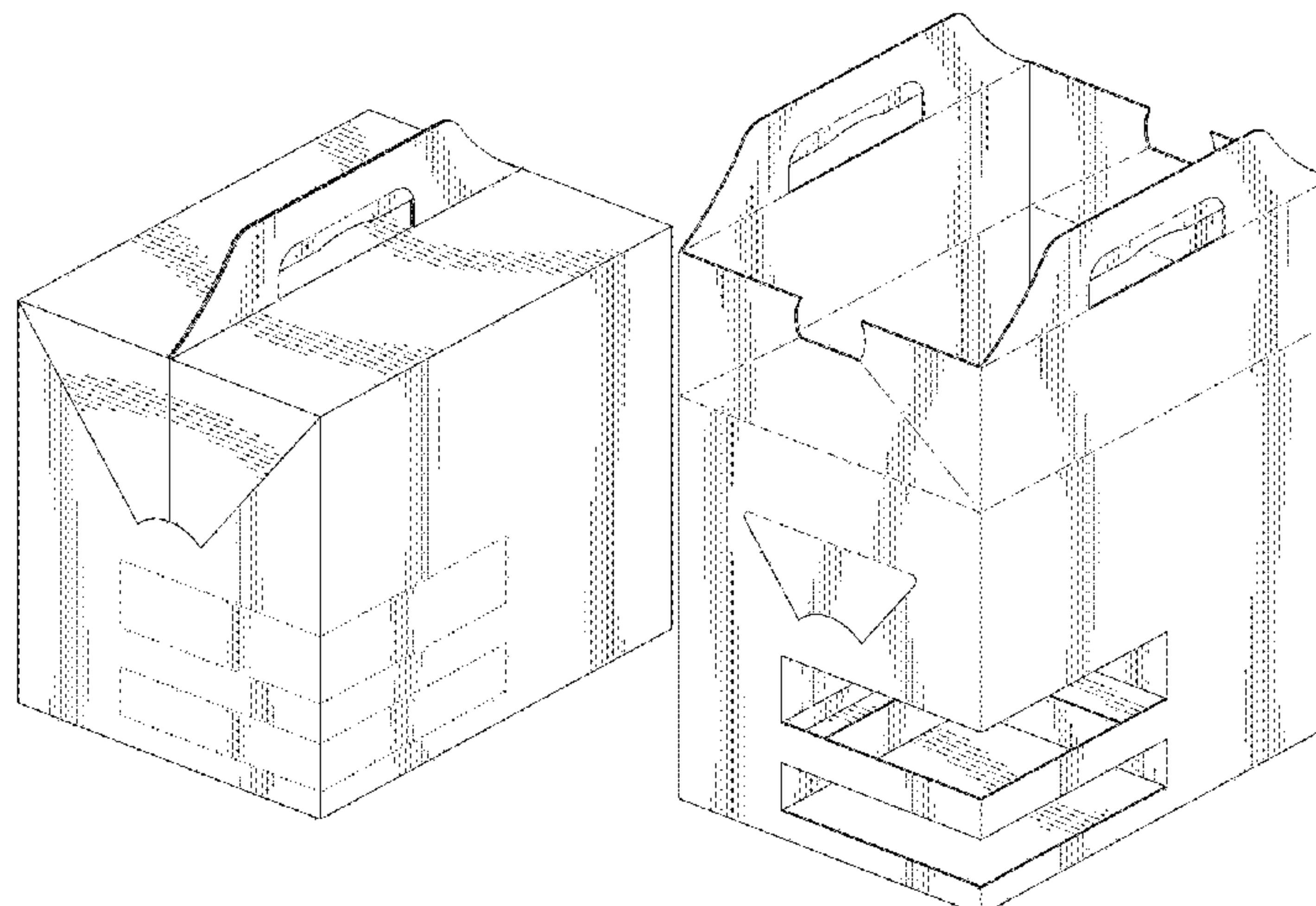
(57) **CLAIM**

The ornamental design for a carton, as shown and described.

DESCRIPTION

FIG. 1 is a perspective view of a carton showing the new design;
FIG. 2 is a front elevation view thereof;
FIG. 3 is a rear elevation view thereof;
FIG. 4 is a left side elevation view thereof;
FIG. 5 is a right side elevation view thereof;
FIG. 6 is a top plan view thereof;
FIG. 7 is bottom plan view thereof;
FIG. 8 is another bottom plan view of the carton of FIG. 1 showing an alternate embodiment;
FIG. 9 is another perspective view of the carton of FIG. 1 shown in an open configuration;
FIG. 10 is a front elevation view thereof;
FIG. 11 is a rear elevation view thereof;
FIG. 12 is a left side elevation view thereof;
FIG. 13 is a right side elevation view thereof;
FIG. 14 is a top plan view thereof;
FIG. 15 is bottom plan view thereof;
FIG. 16 is another perspective view of the carton of FIG. 1 shown in an alternate configuration;
FIG. 17 is a front elevation view thereof;
FIG. 18 is a rear elevation view thereof;
FIG. 19 is a left side elevation view thereof;
FIG. 20 is a right side elevation view thereof;
FIG. 21 is a top plan view thereof;
FIG. 22 is bottom plan view thereof;
FIG. 23 is another perspective view of the carton of FIG. 16 showing an unclaimed container housed therein;
FIG. 24 is another perspective view of the carton of FIG. 16 shown in an open configuration;
FIG. 25 is a front elevation view thereof;
FIG. 26 is a rear elevation view thereof;
FIG. 27 is a left side elevation view thereof;
FIG. 28 is a right side elevation view thereof;
FIG. 29 is a top plan view thereof;
FIG. 30 is bottom plan view thereof; and,
FIG. 31 is another perspective view of the carton of FIG. 24 showing an unclaimed container housed therein.

(Continued)



In the Figures the dash-dash lines are for the purpose of illustrating environment and form no part of the claimed design, and the dot dot lines are for the purpose of illustrating perforations and form part of the claimed design.

1 Claim, 31 Drawing Sheets

(58) Field of Classification Search

USPC D9/751–755; D3/272–274, 290, 304,
D3/305, 315; D20/10, 22, 27, 40, 42
CPC ... B65D 5/00; B65D 5/02; B65D 5/18; B65D
5/20

See application file for complete search history.

(56) References Cited

U.S. PATENT DOCUMENTS

D242,901 S *	1/1977	Lohrbach	D9/432
D259,175 S *	5/1981	Austin, Jr.	D7/709
4,601,390 A *	7/1986	Rosenthal	B65D 71/0022 206/175
D346,738 S *	5/1994	Kinigakis	D9/418
5,392,984 A *	2/1995	Yocum	B65D 5/46112 229/117.14
6,036,085 A *	3/2000	Tsao	B65D 5/46096 229/117.14
D446,448 S *	8/2001	Jernigan	D9/418

D466,406 S *	12/2002	Solland	D9/415
D466,804 S *	12/2002	Solland	D9/418
D488,062 S *	4/2004	Shannon	D9/415
D567,079 S *	4/2008	Fant	D9/753
D576,482 S *	9/2008	DeBusk	D9/416
D600,547 S	9/2009	Cain	
D630,503 S	1/2011	Abdalkhani et al.	
D679,950 S	4/2013	Cooper	
D702,546 S	4/2014	McAdam	
D744,825 S *	12/2015	Johansen	D9/418
D789,783 S	6/2017	DeBusk	
D795,687 S	8/2017	Pollock	
D798,142 S *	9/2017	Falcon	D9/418
D835,982 S	12/2018	Mayer	
D845,760 S *	4/2019	Oliveira	D9/432
D846,982 S	4/2019	Horne	
10,322,840 B2 *	6/2019	Angulo	B65D 71/36
D855,453 S	8/2019	Meyer et al.	
D863,950 S	10/2019	Chilton	
D867,125 S	11/2019	Sill et al.	

OTHER PUBLICATIONS

Fresh Flavor Carry Out, 2018 Inno-Pak online catalogue, www.innopak.com, p. 5.
Amazon, "Paperboard 4 Corner 11"x6³/₄"x2³/₄" Food and Drink Stadium/Theater Strap Tray/Carrier or Holder by MT Products (15 Pieces)", Available at <https://www.amazon.com/Paperboard-Stadium-Theater-MT-Products/dp/B074MLNQQ2>, accessed on Aug. 1, 2019, 06 pages.

* cited by examiner

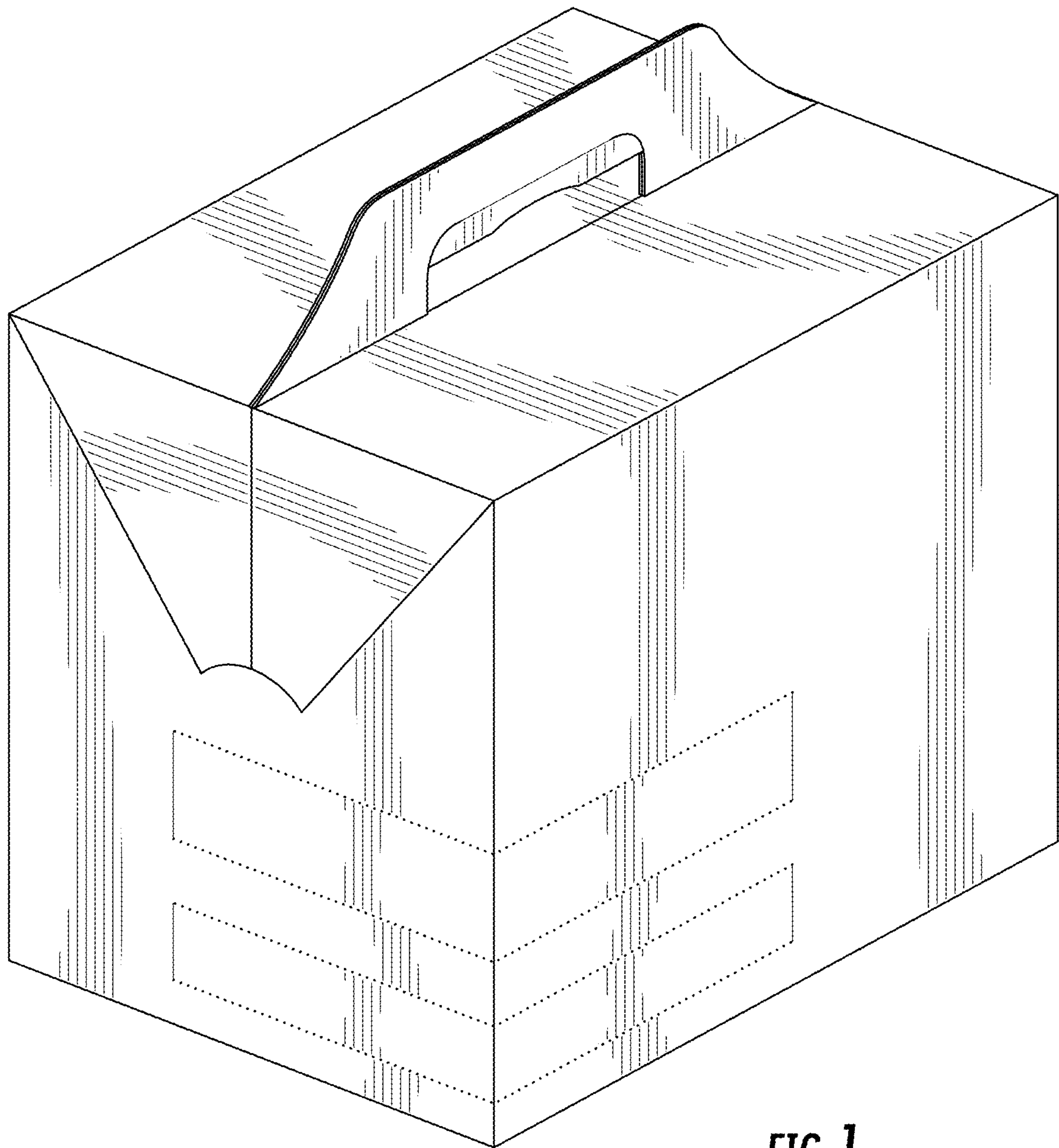


FIG. 1

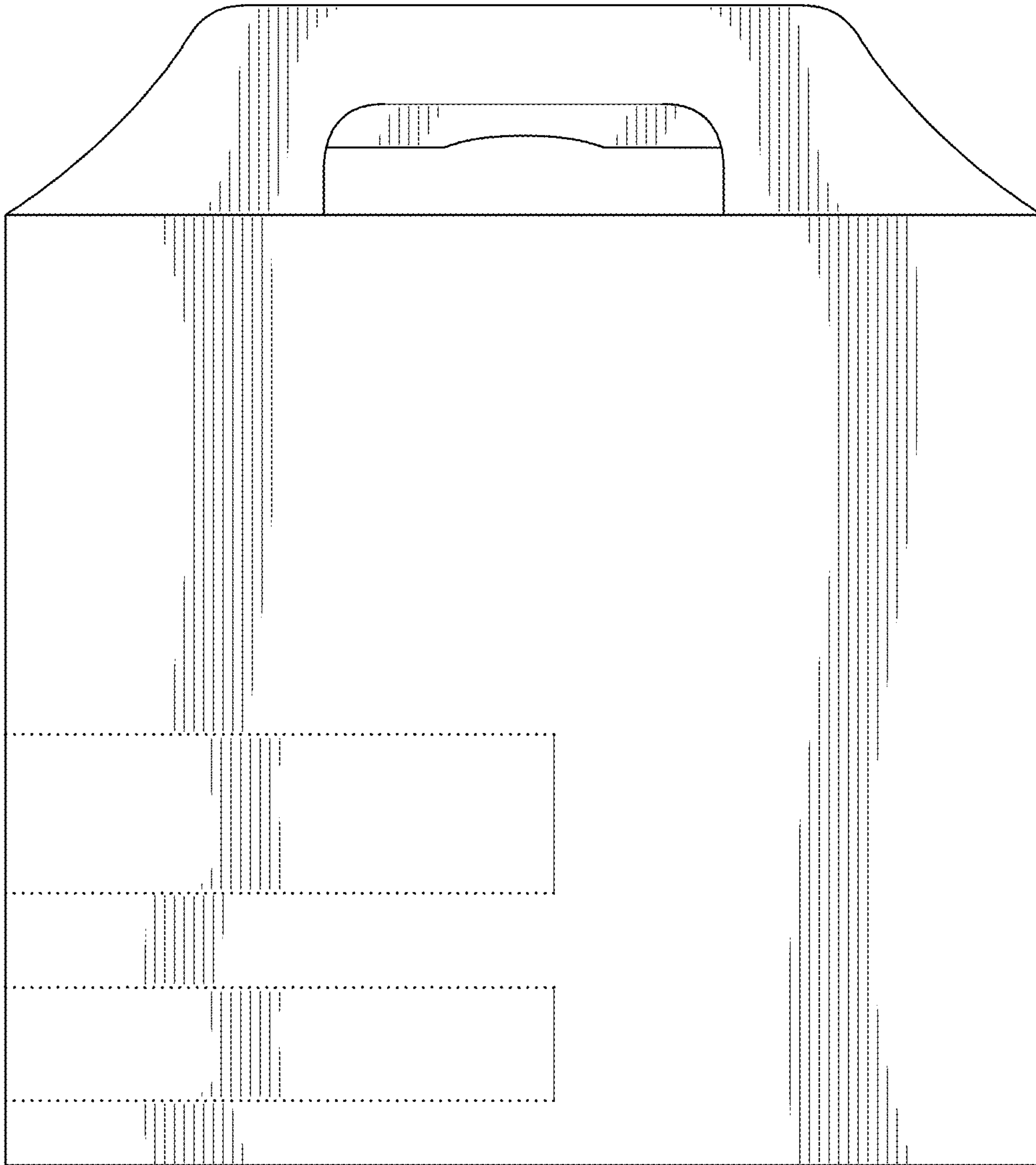


FIG. 2

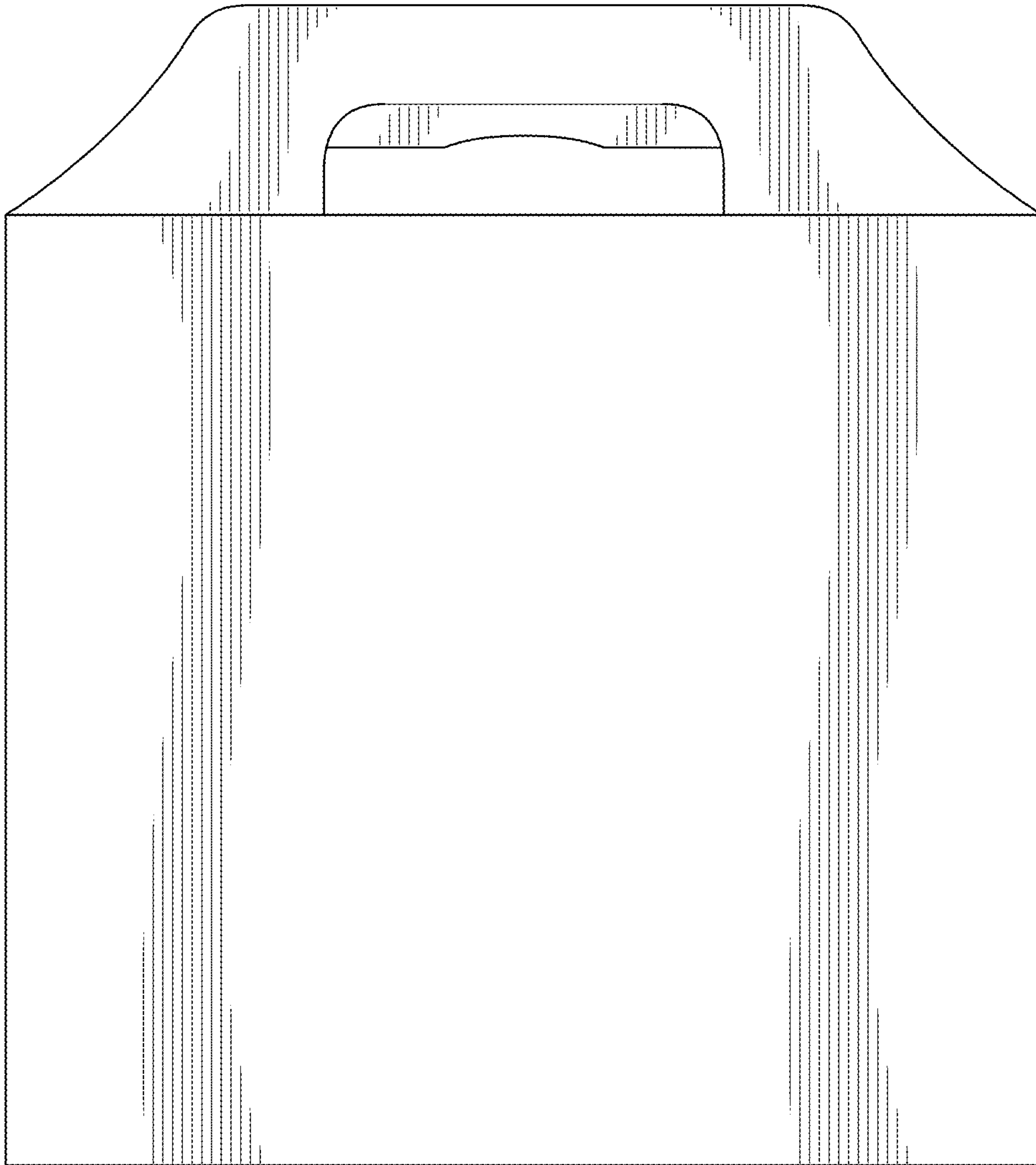


FIG. 3

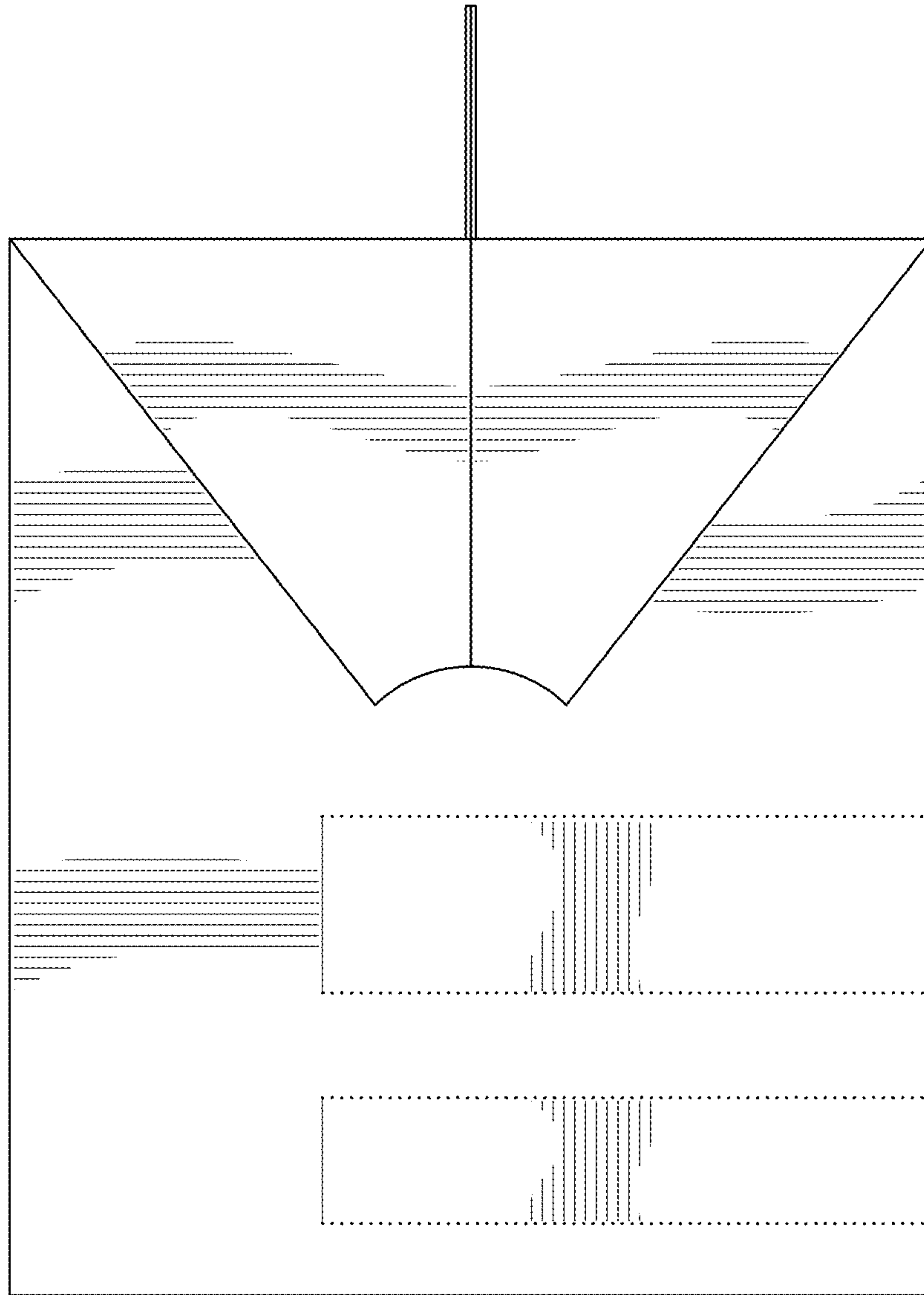


FIG. 4

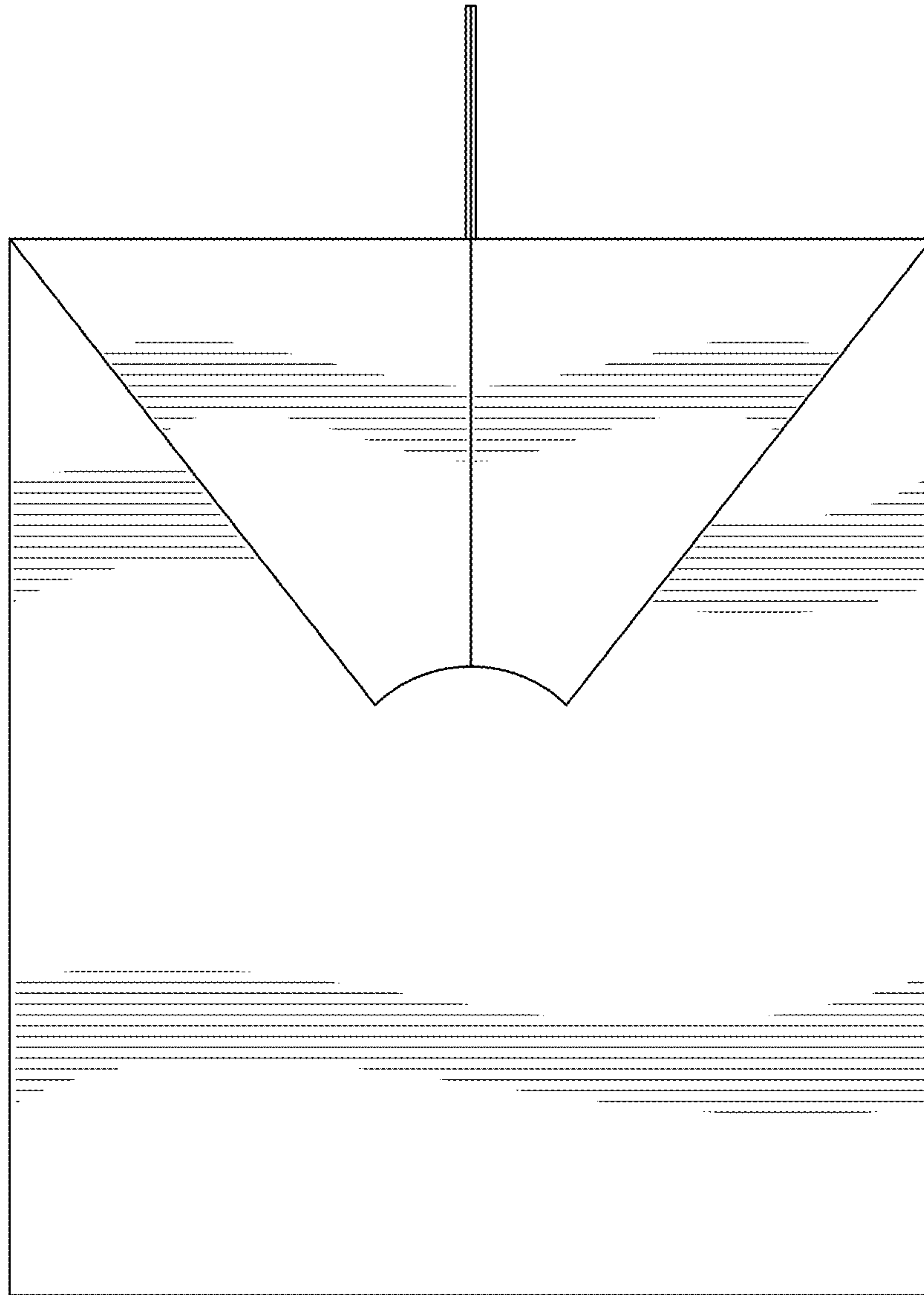


FIG. 5

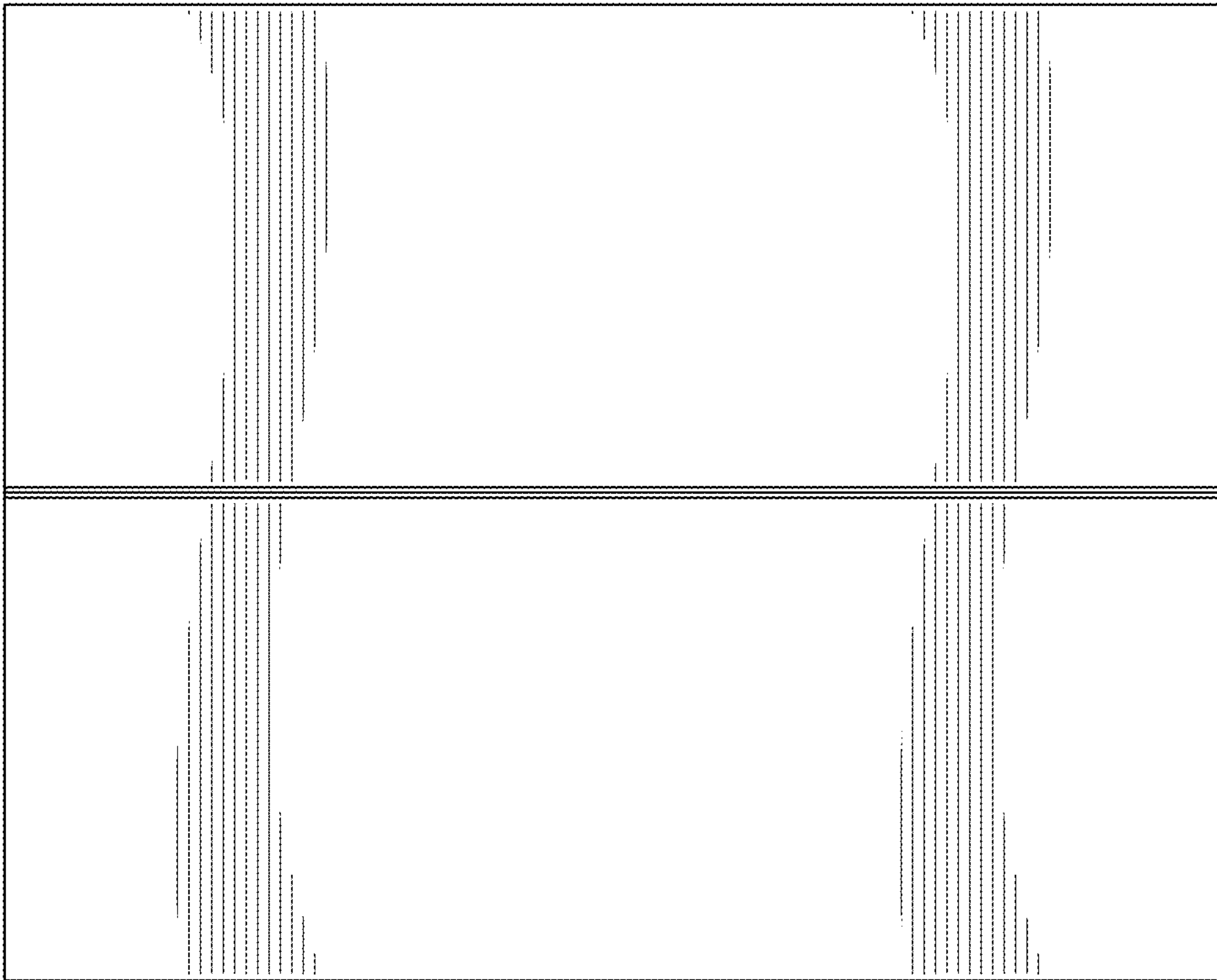


FIG. 6

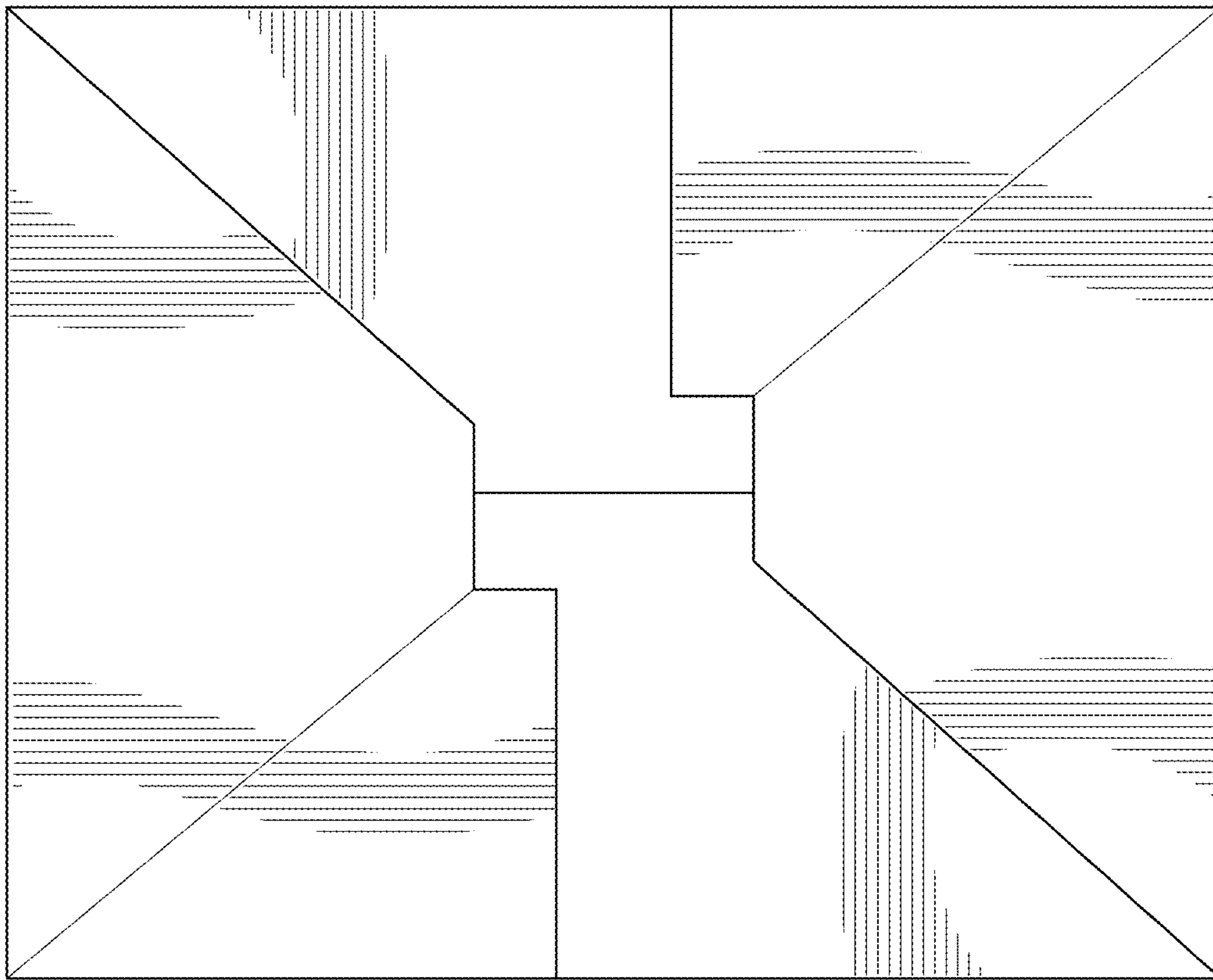


FIG. 7

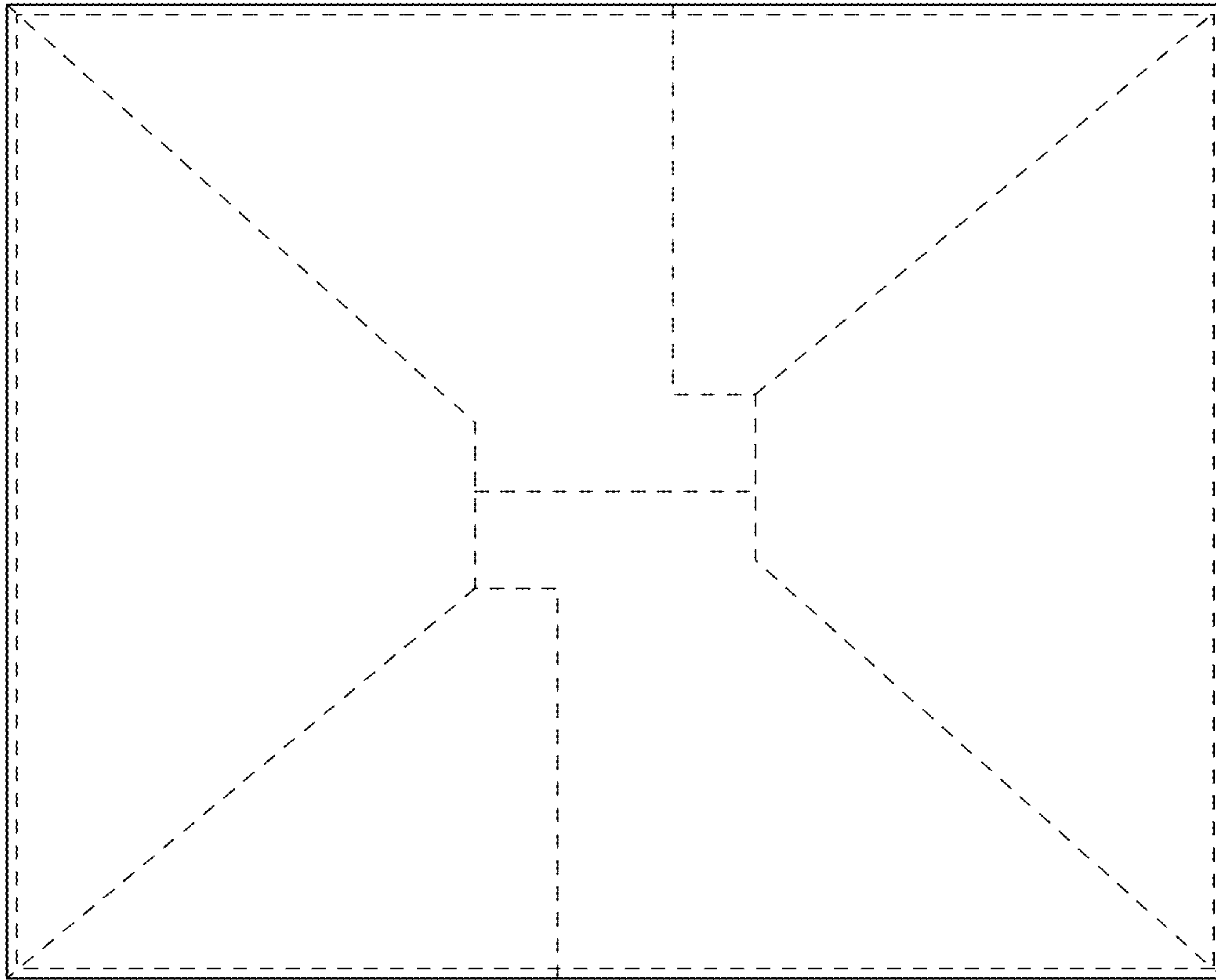


FIG. 8

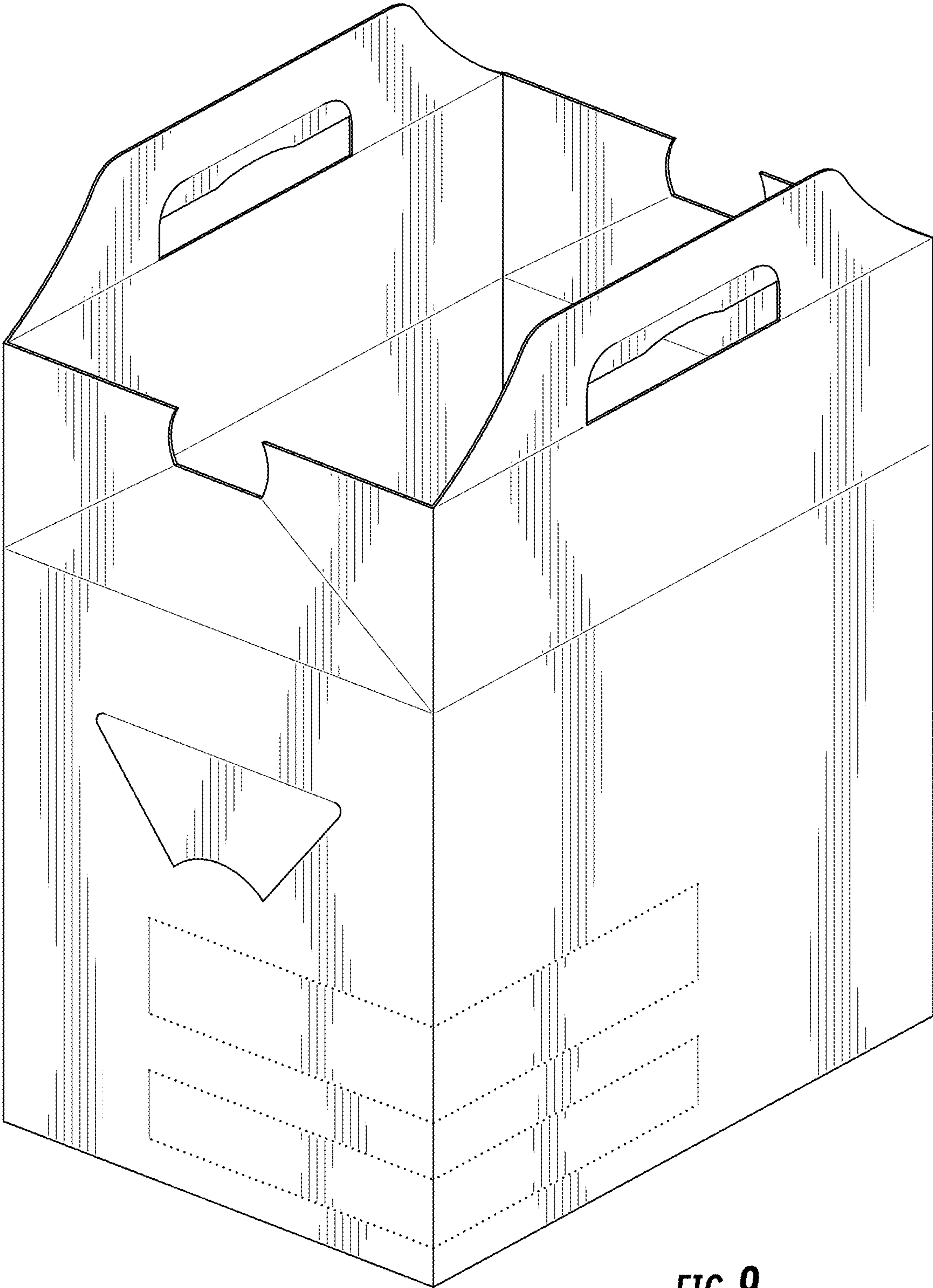


FIG. 9

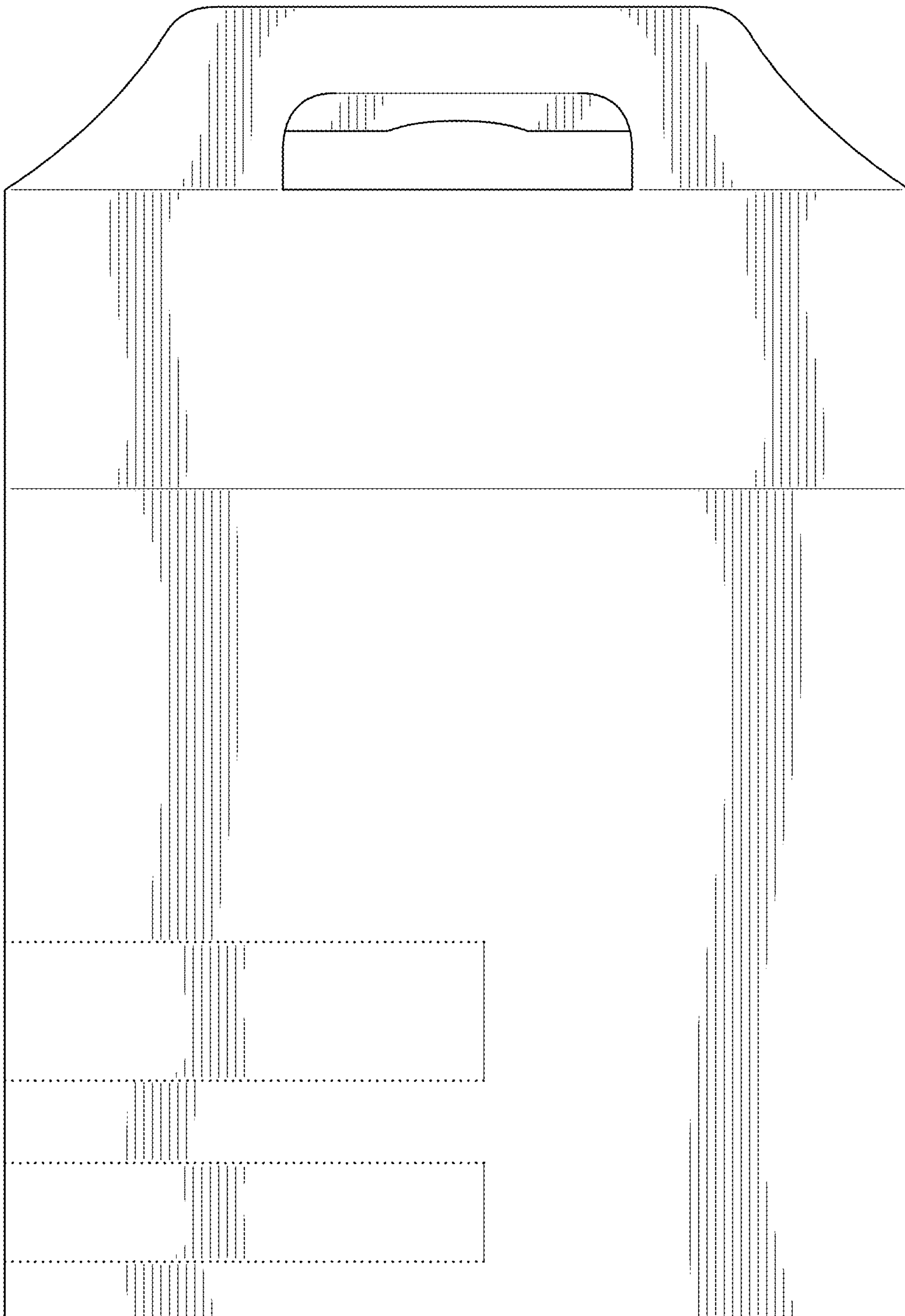


FIG. 10

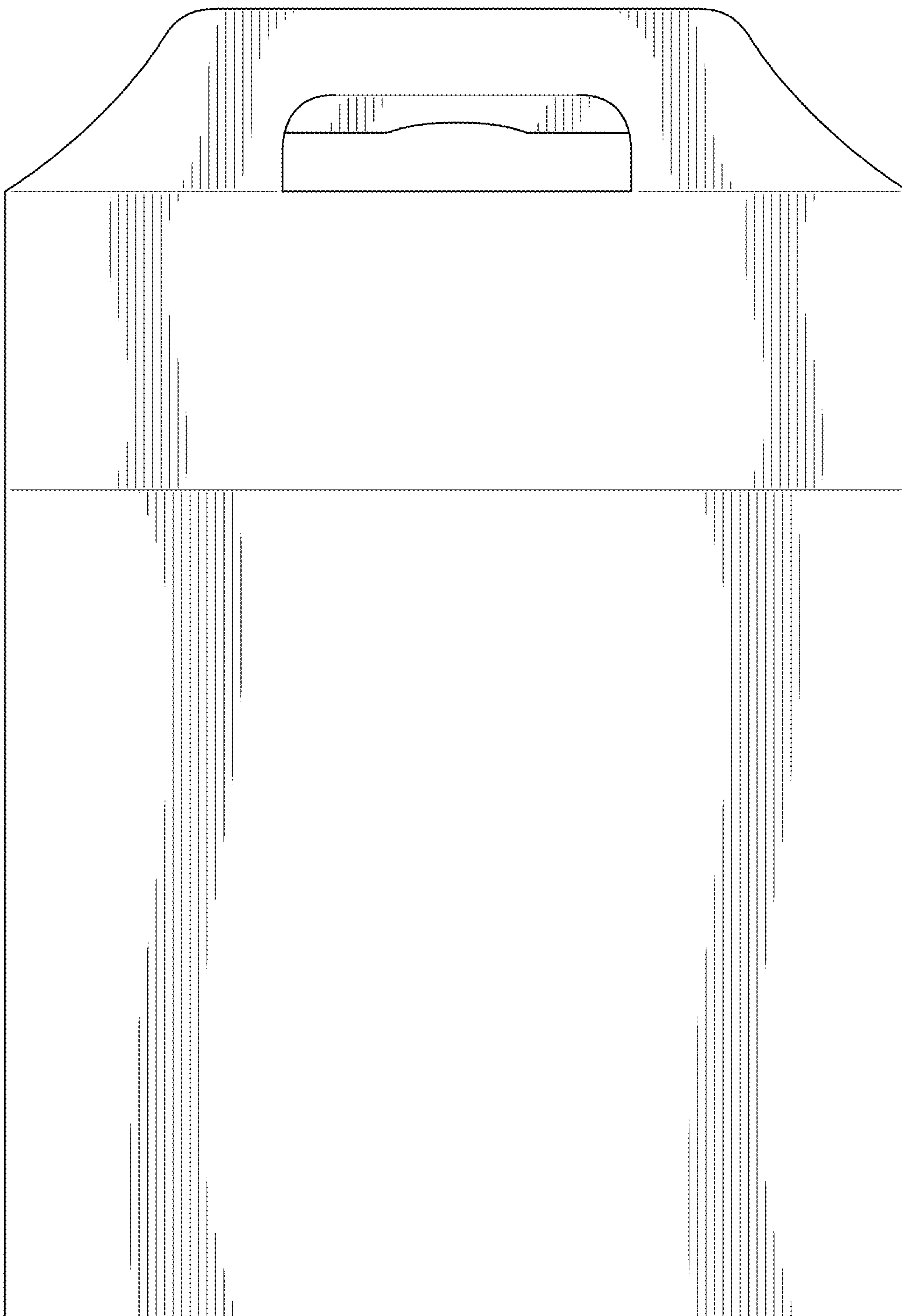


FIG. 11

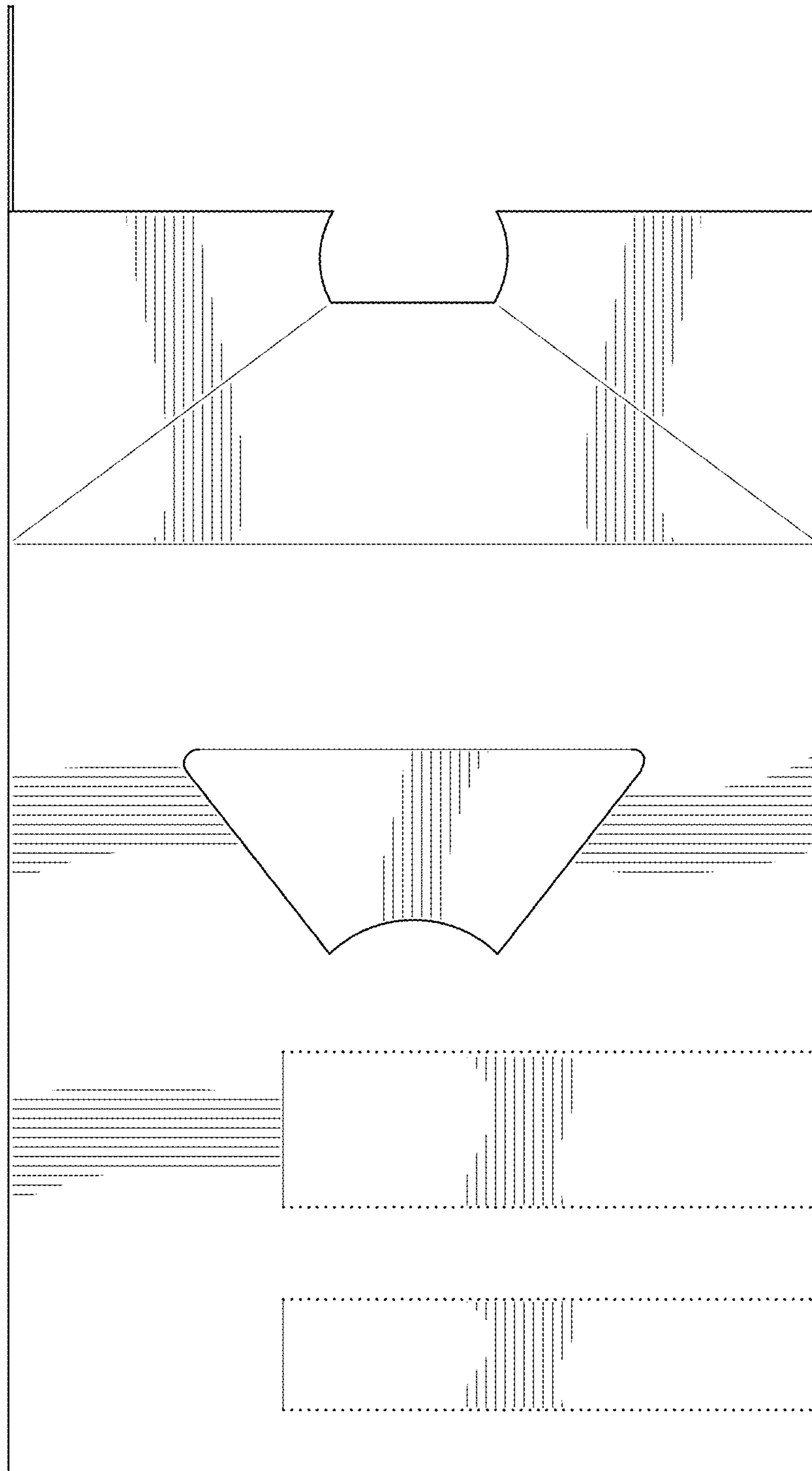


FIG. 12

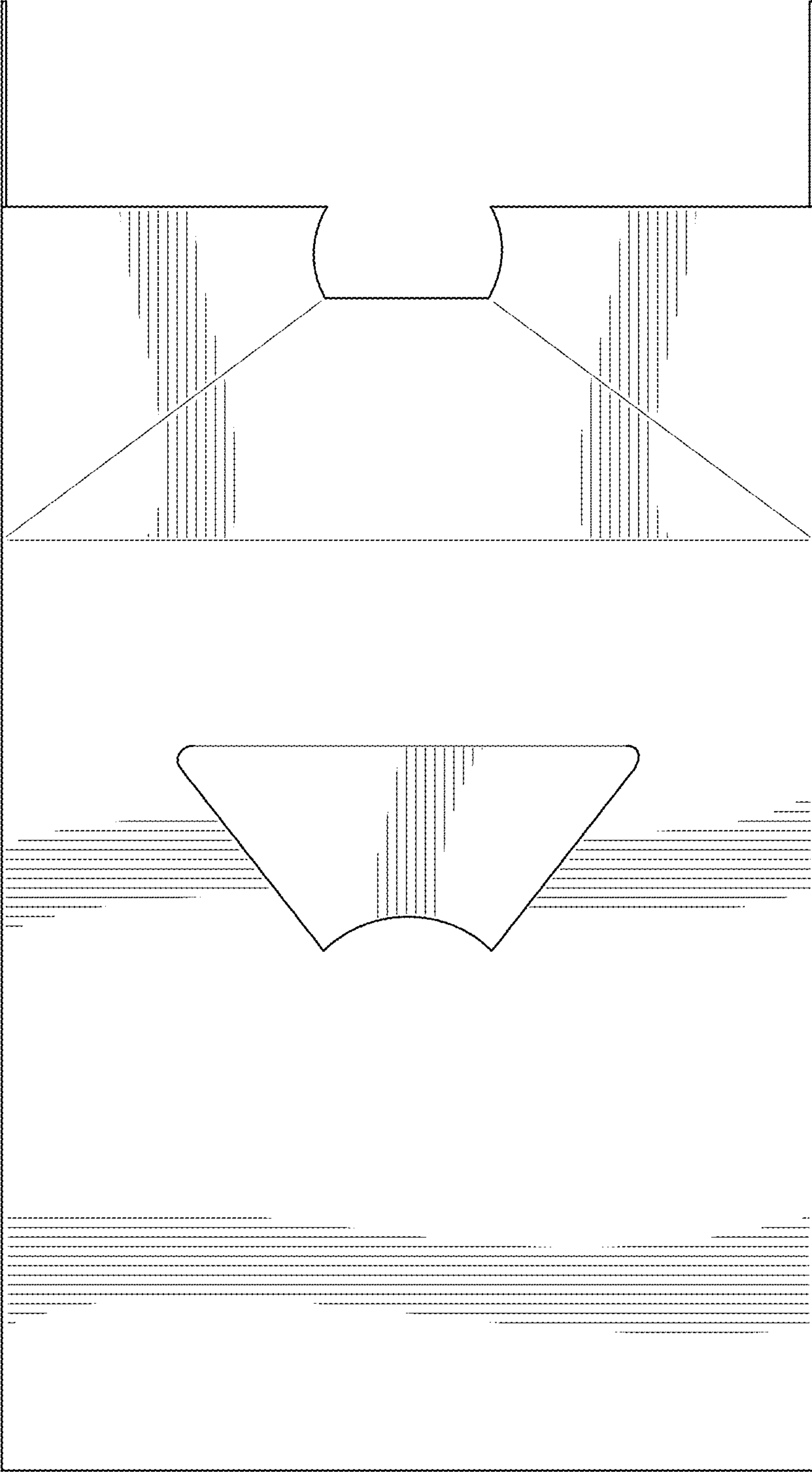


FIG. 13

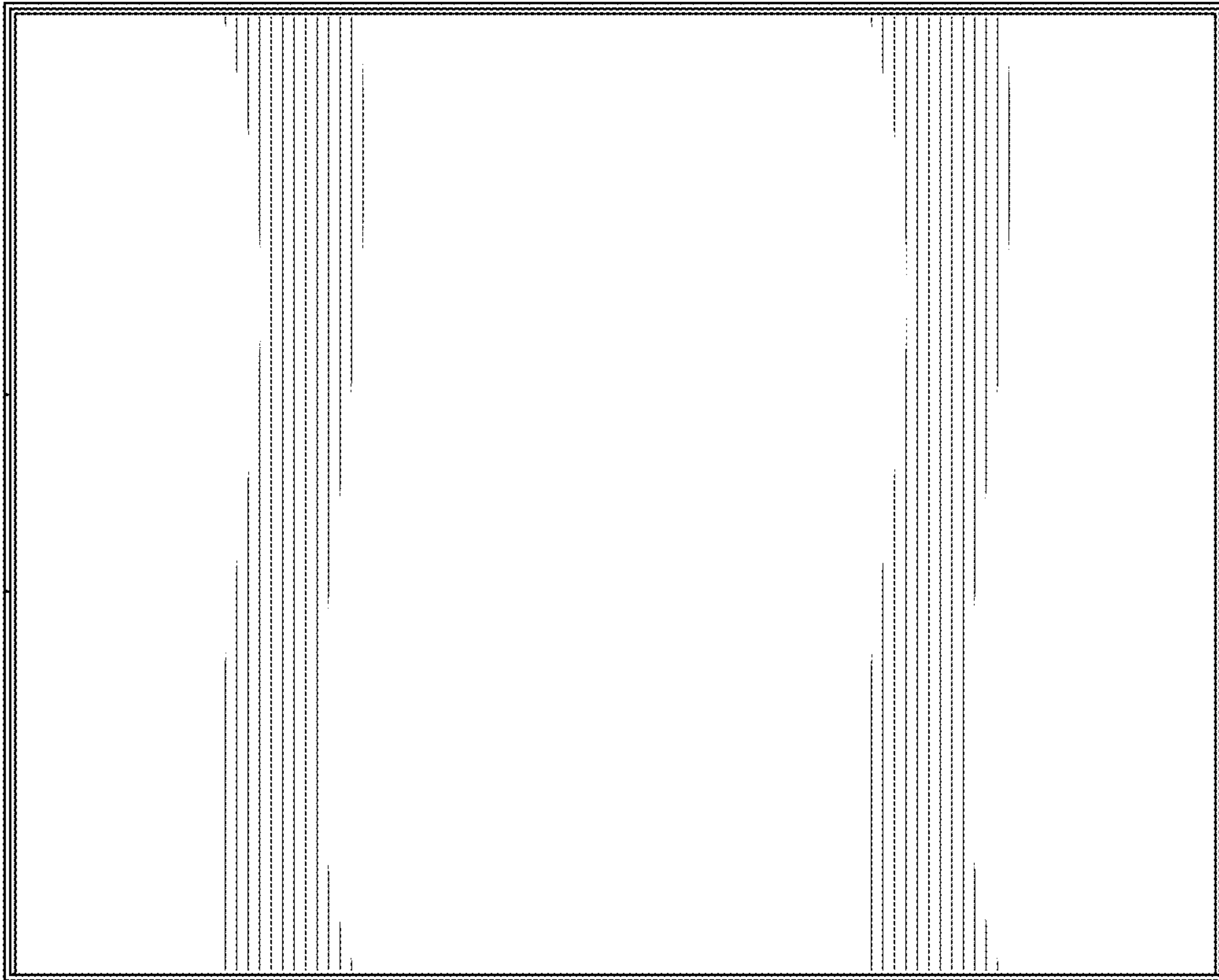


FIG. 14

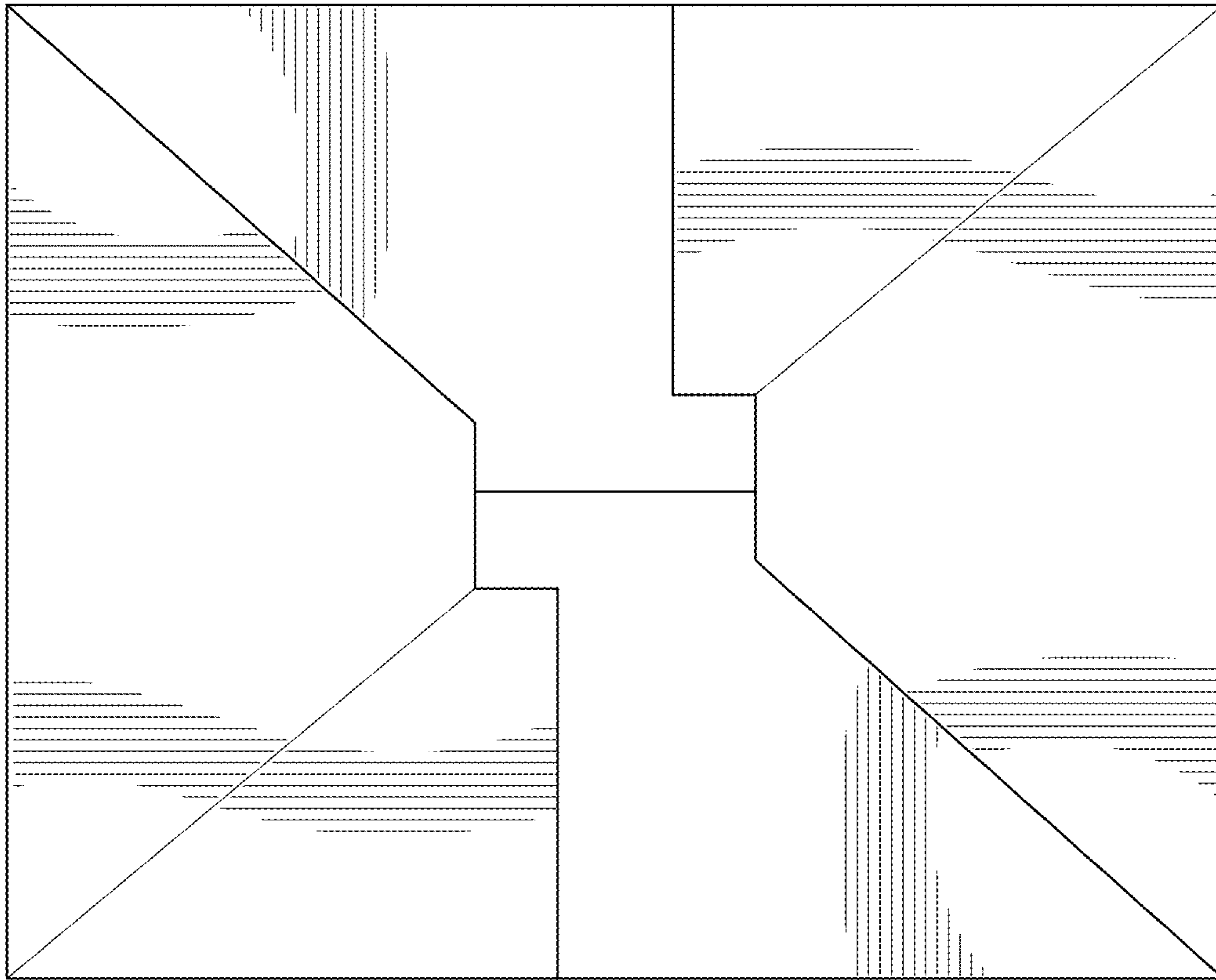


FIG. 15

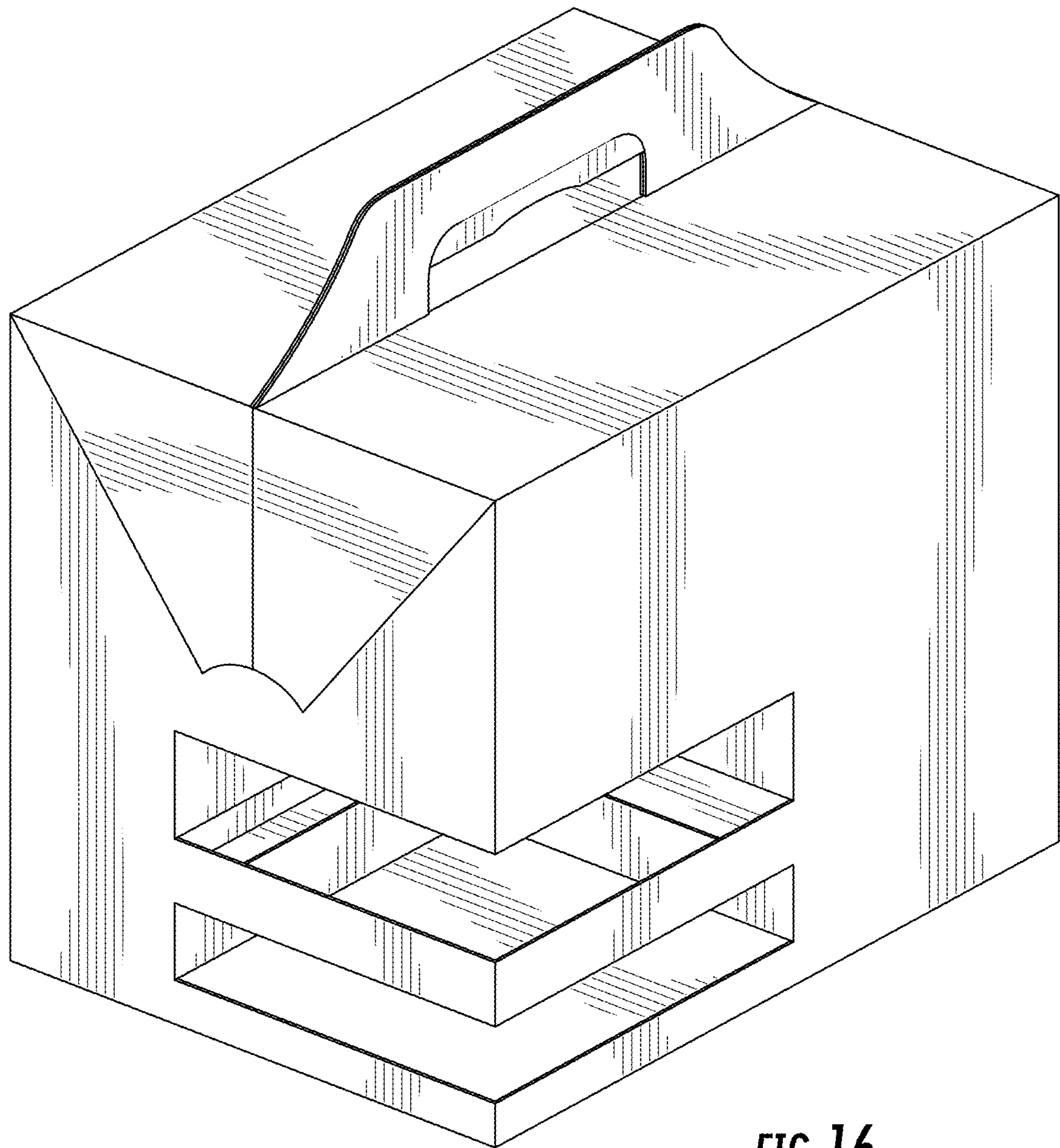


FIG. 16

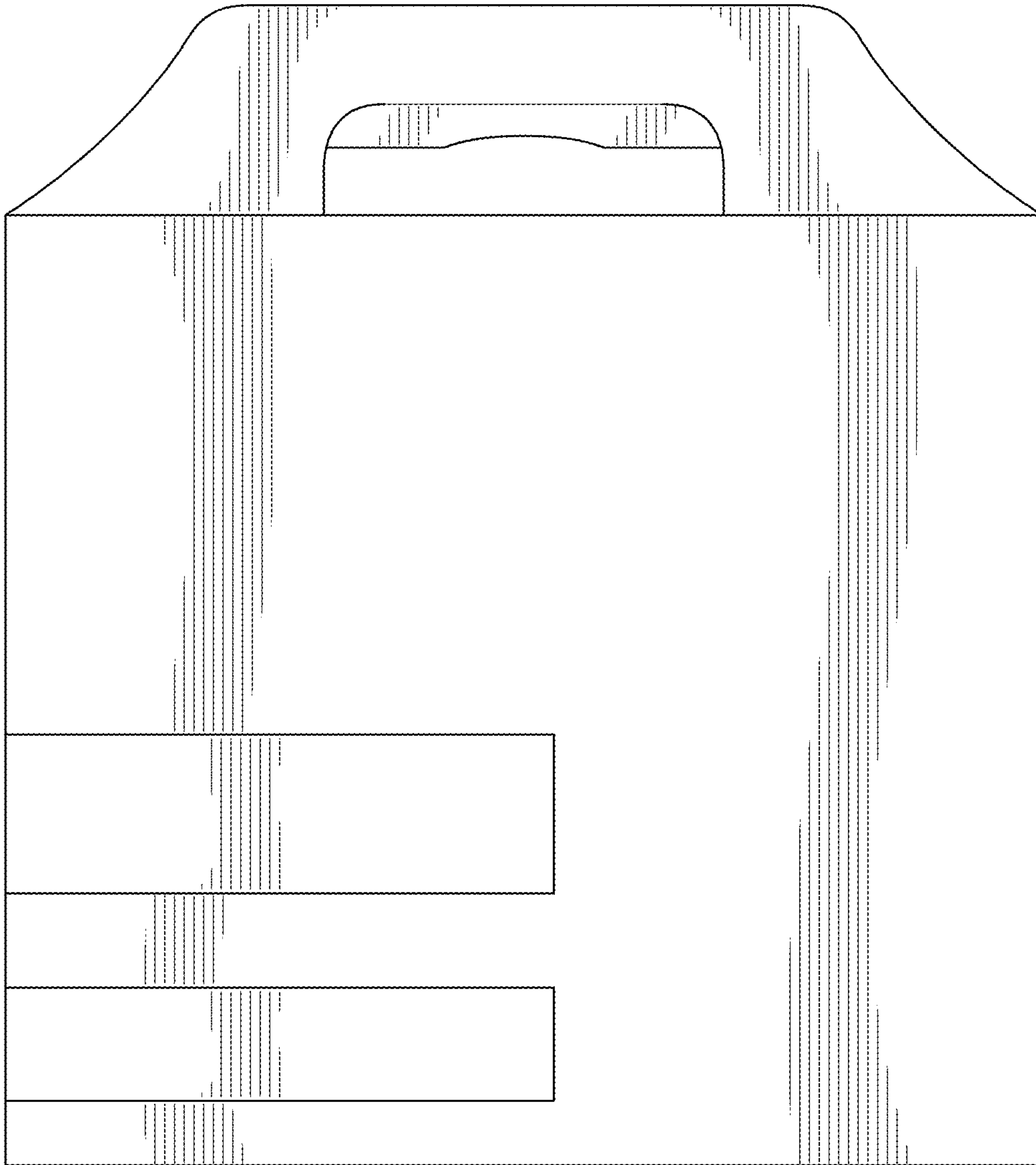


FIG. 17

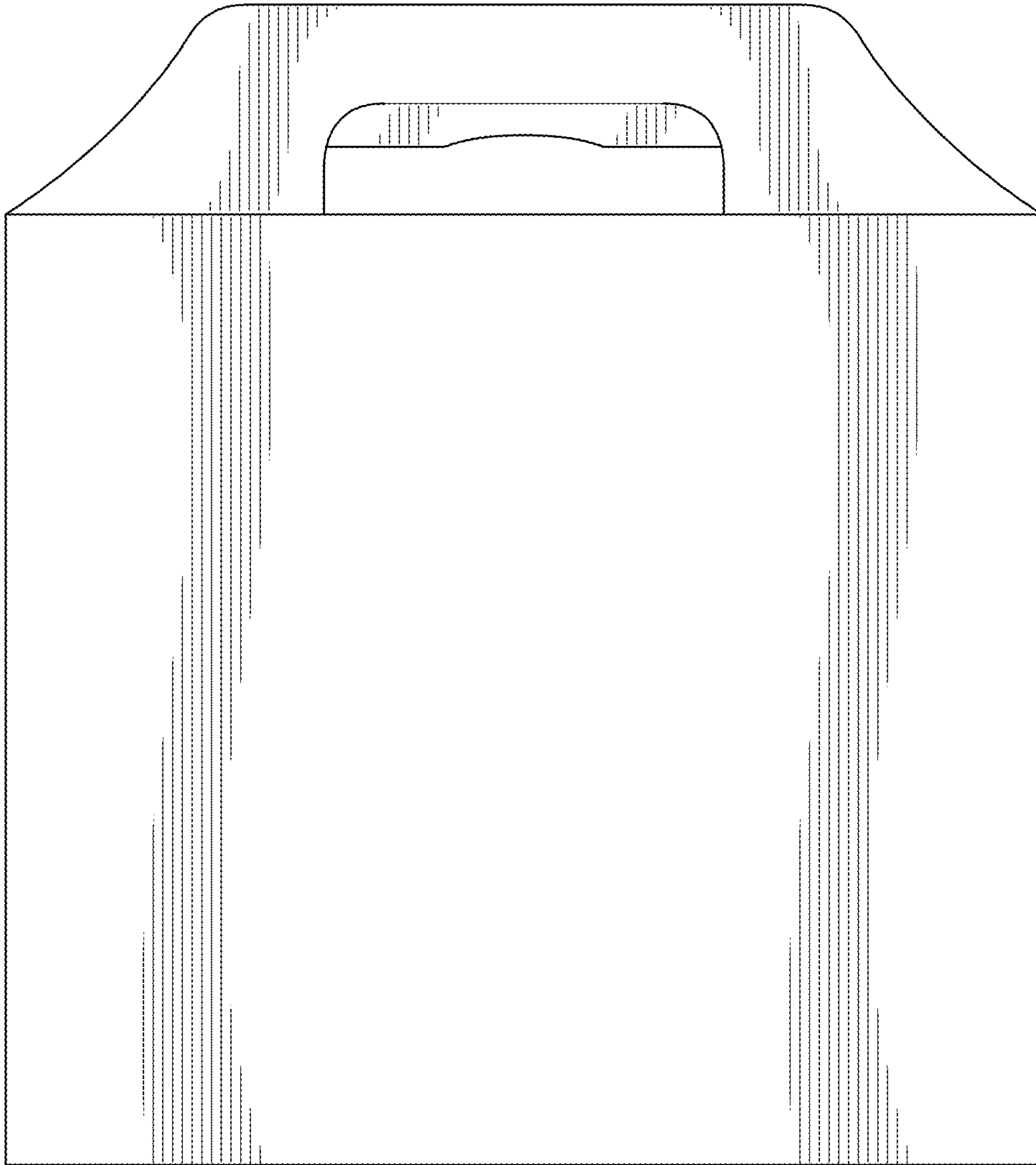


FIG. 18

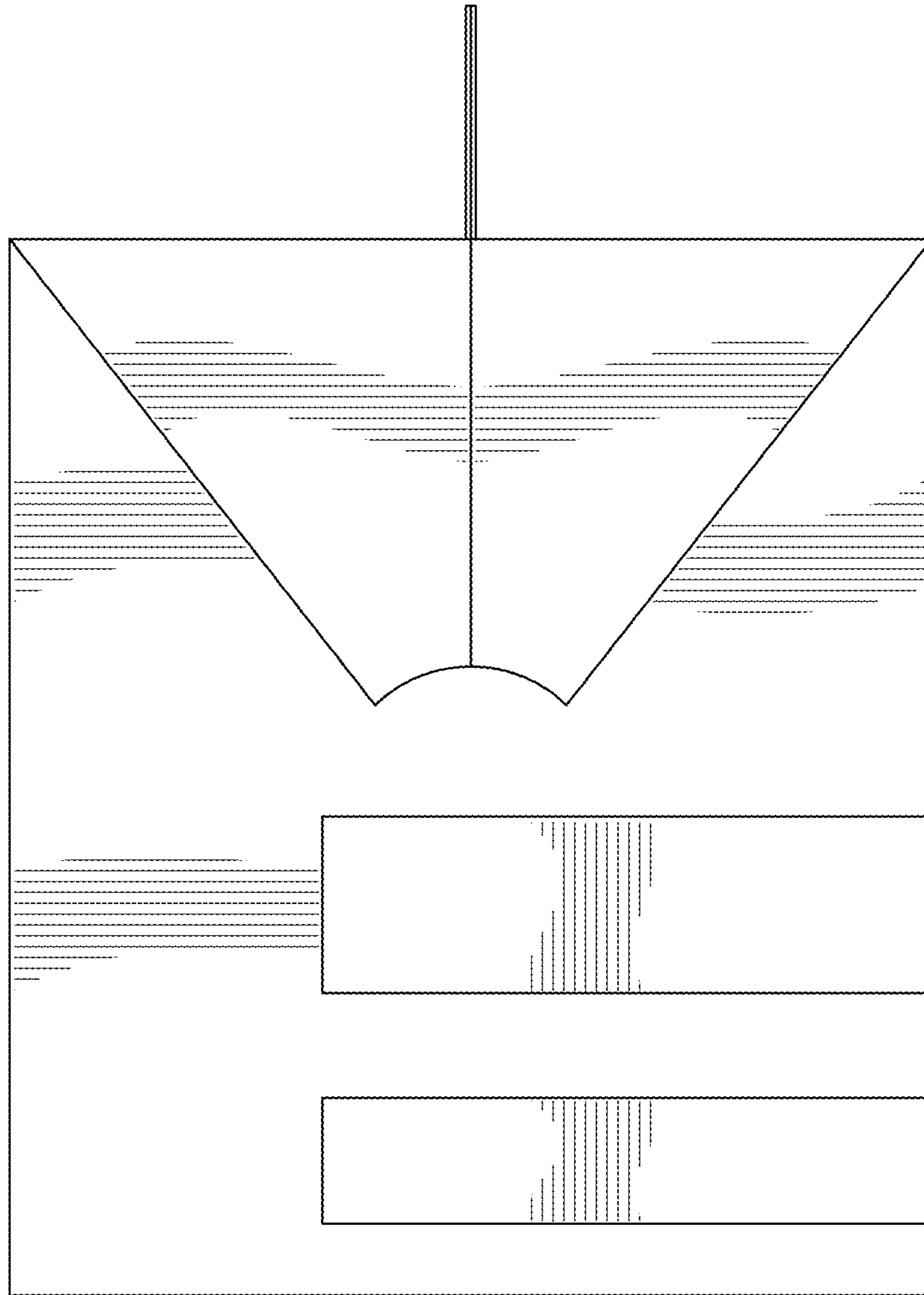


FIG. 19

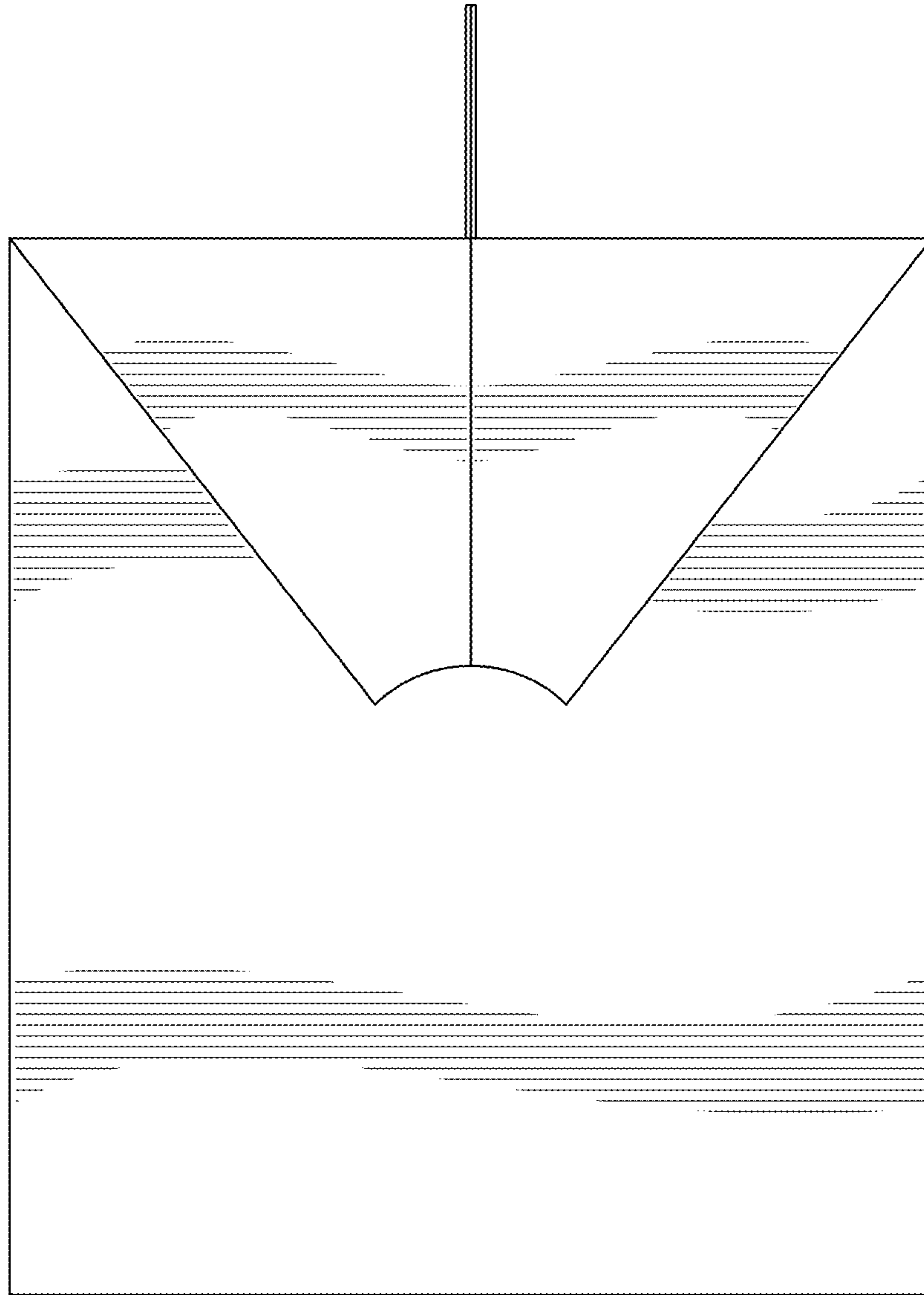


FIG. 20

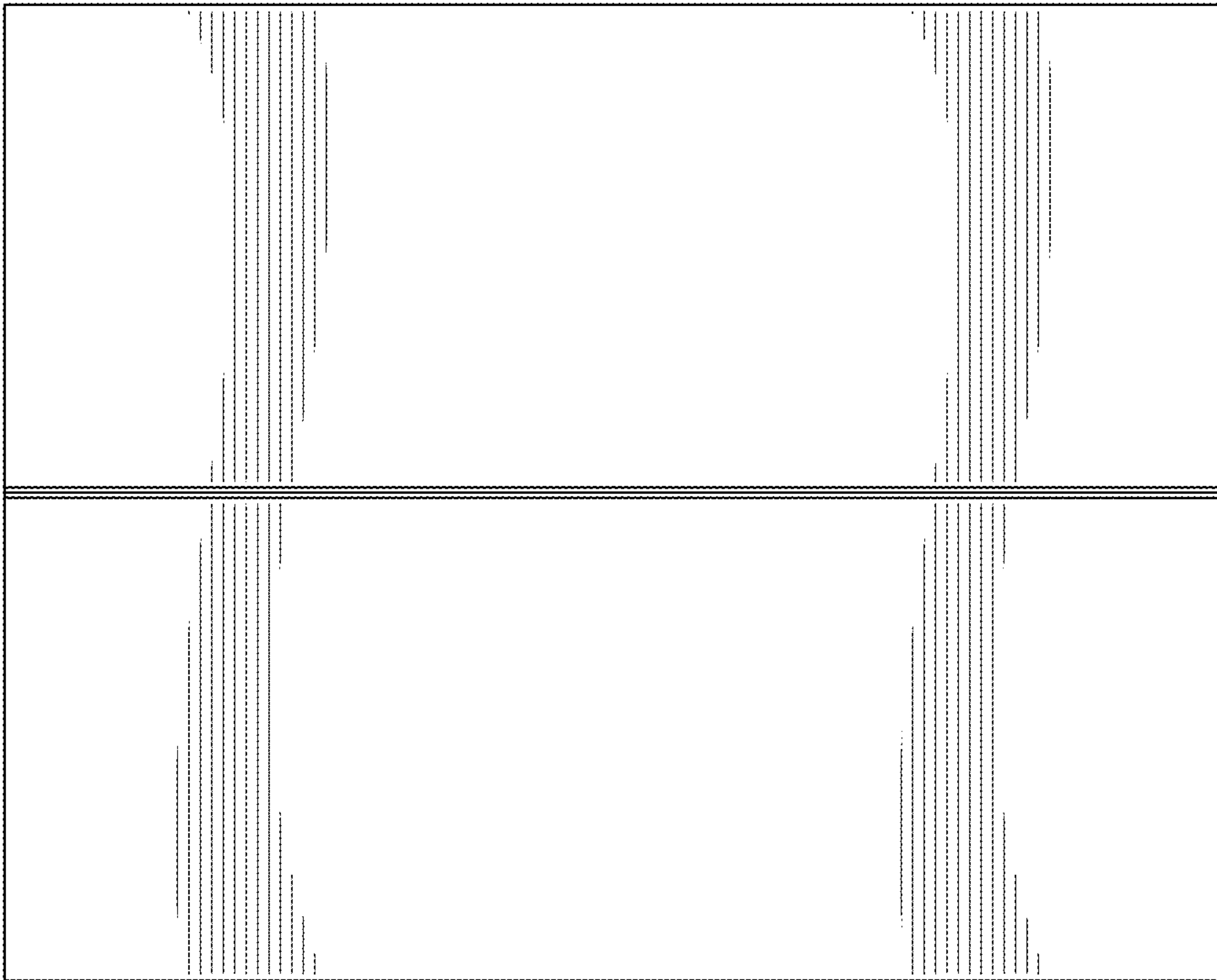


FIG. 21

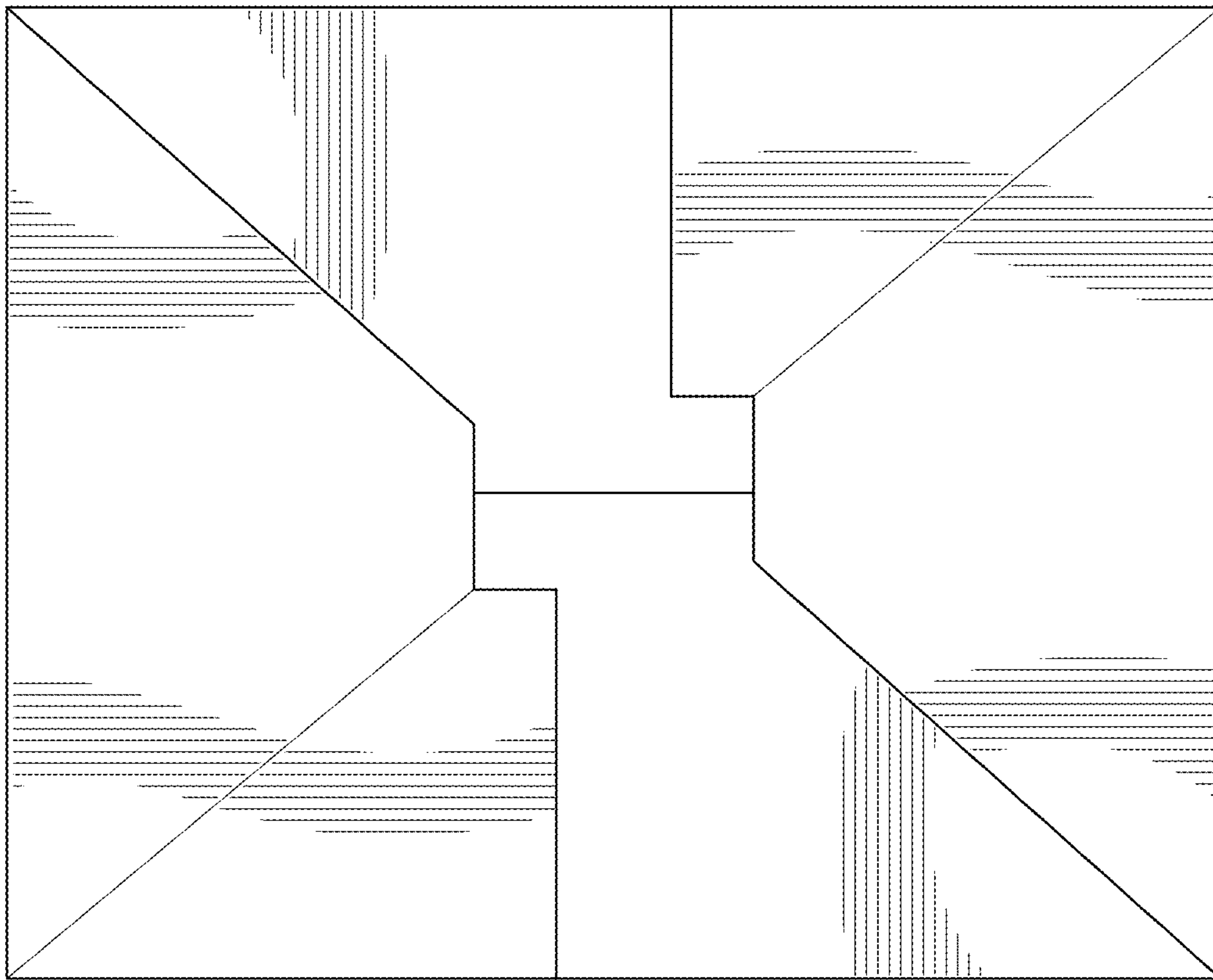


FIG. 22

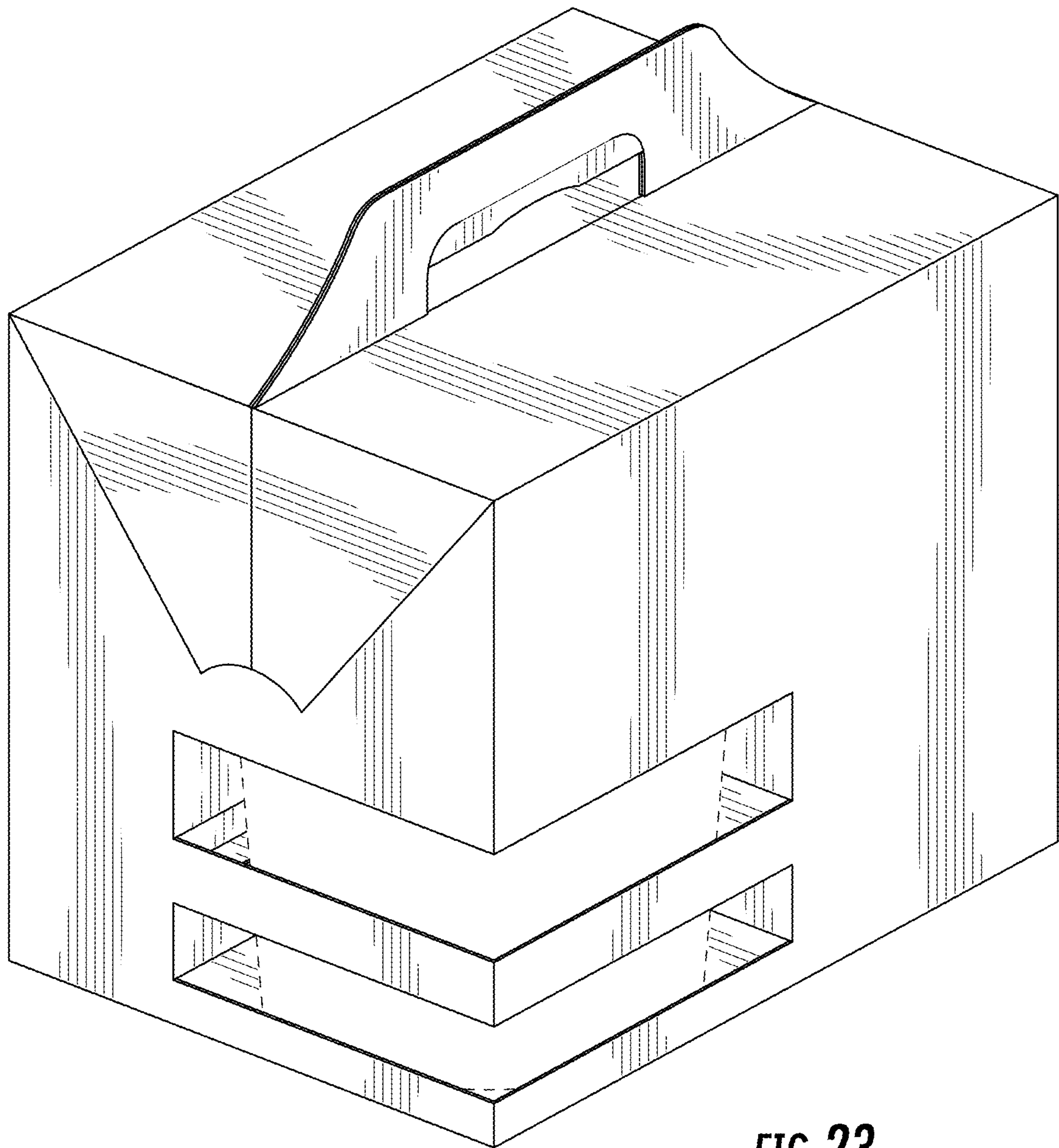


FIG. 23

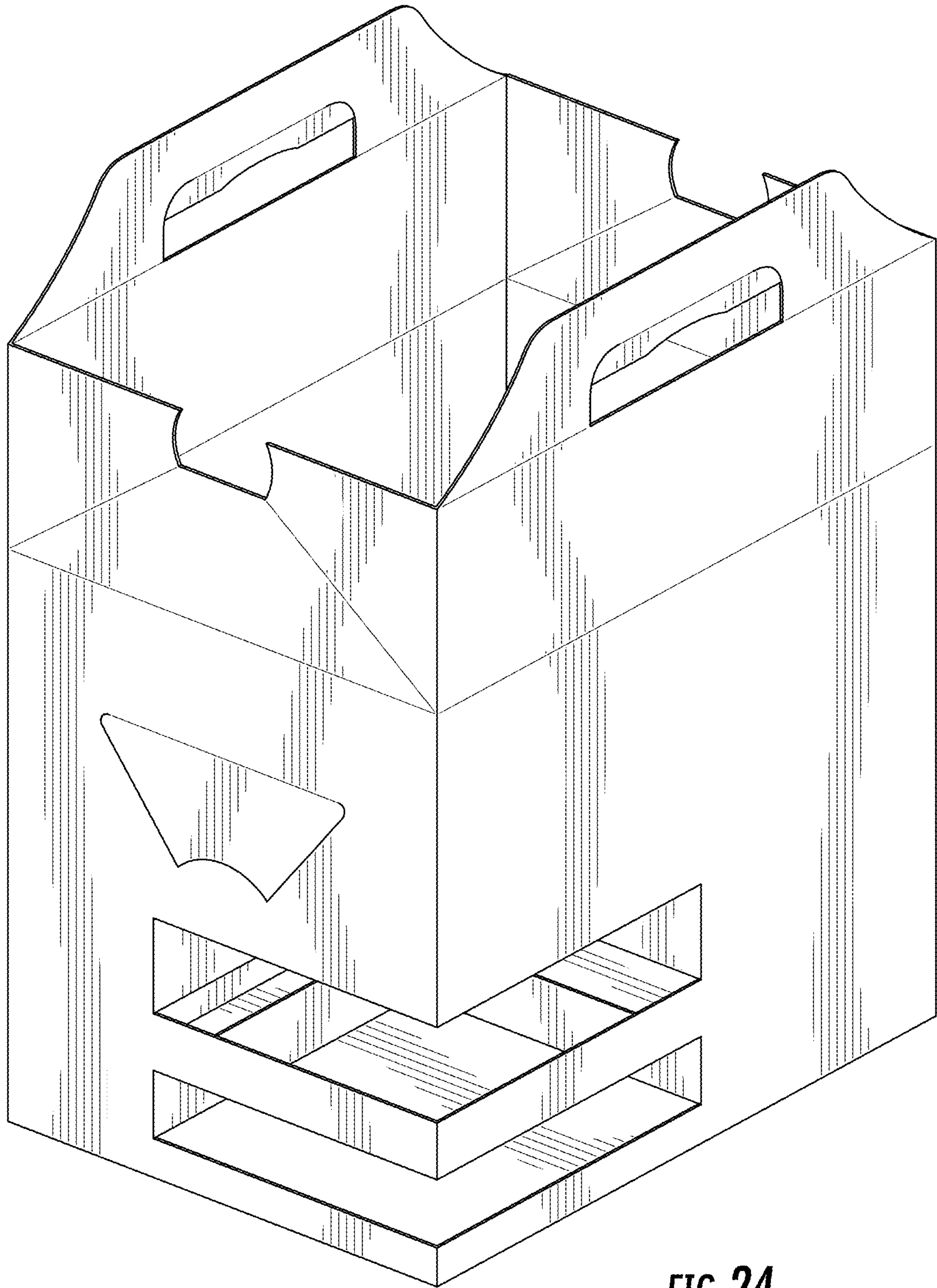


FIG. 24

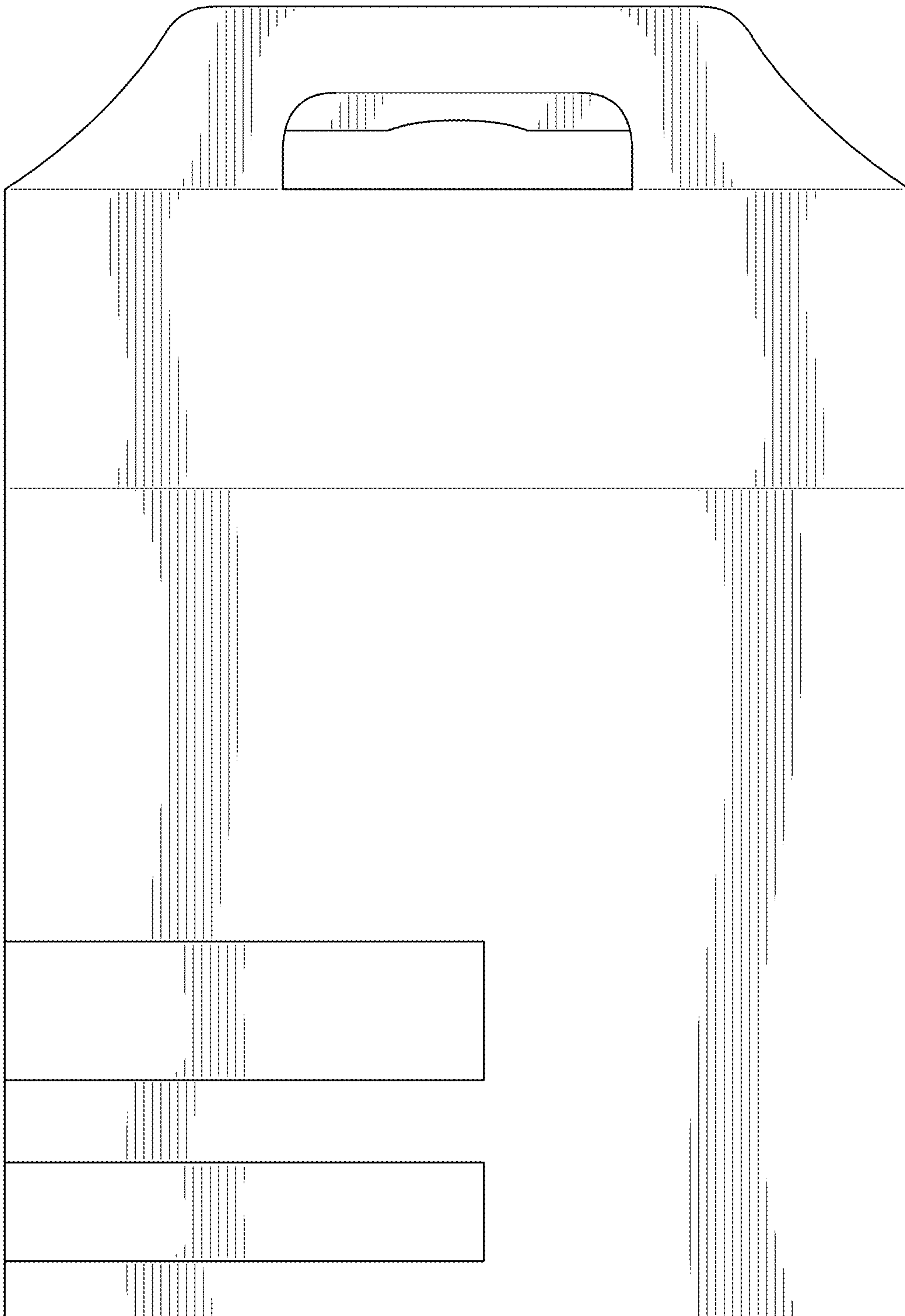


FIG. 25

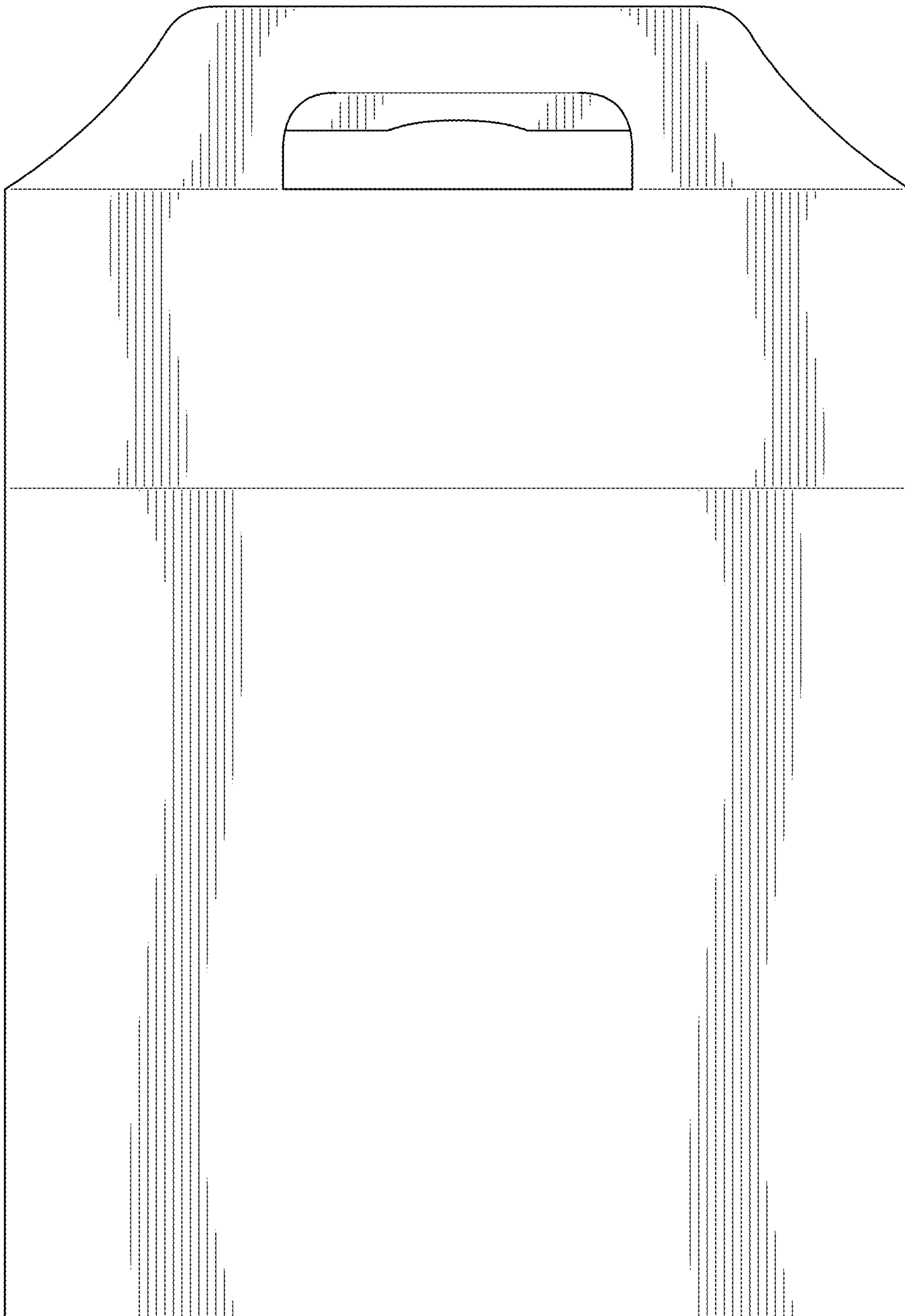


FIG. 26

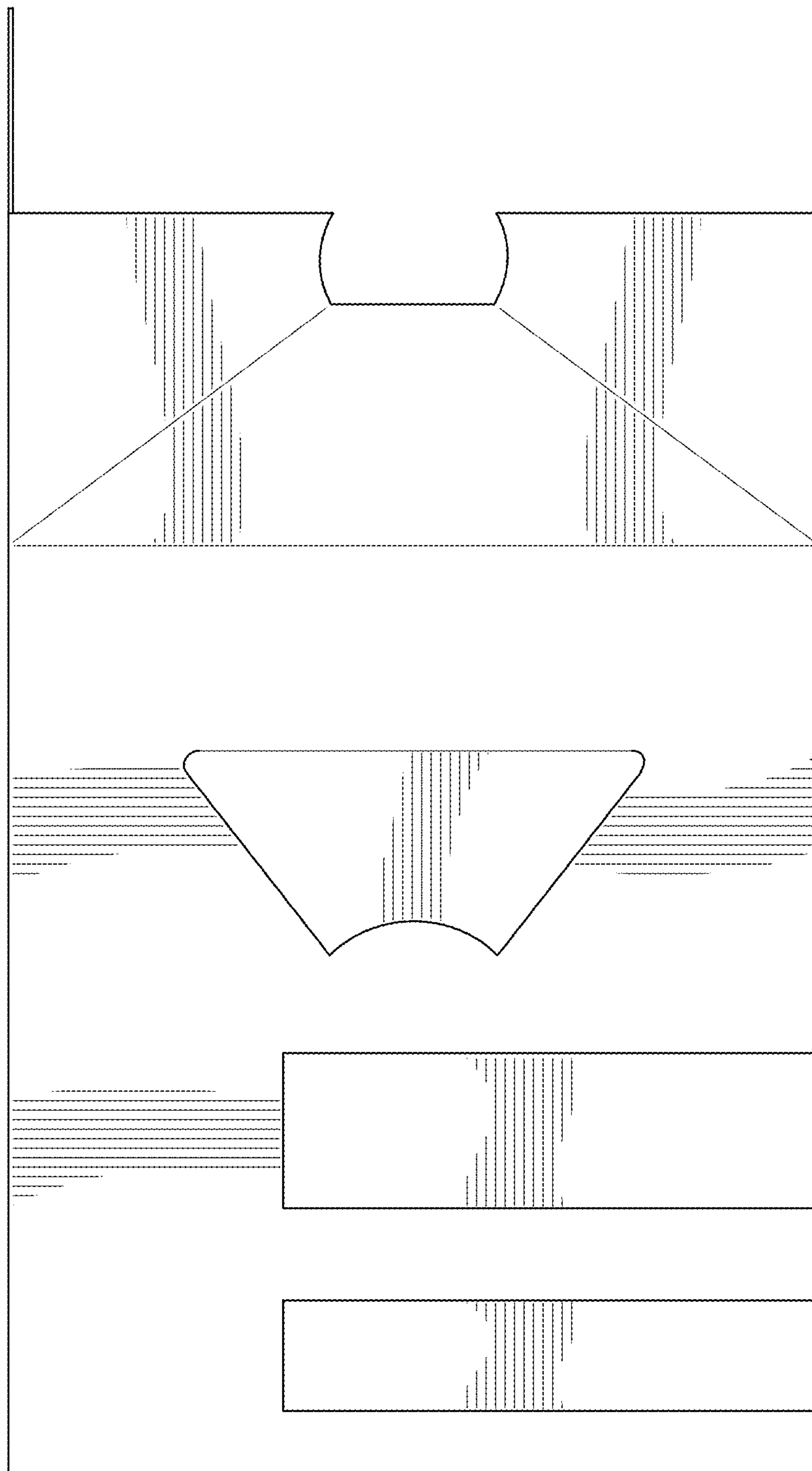


FIG. 27

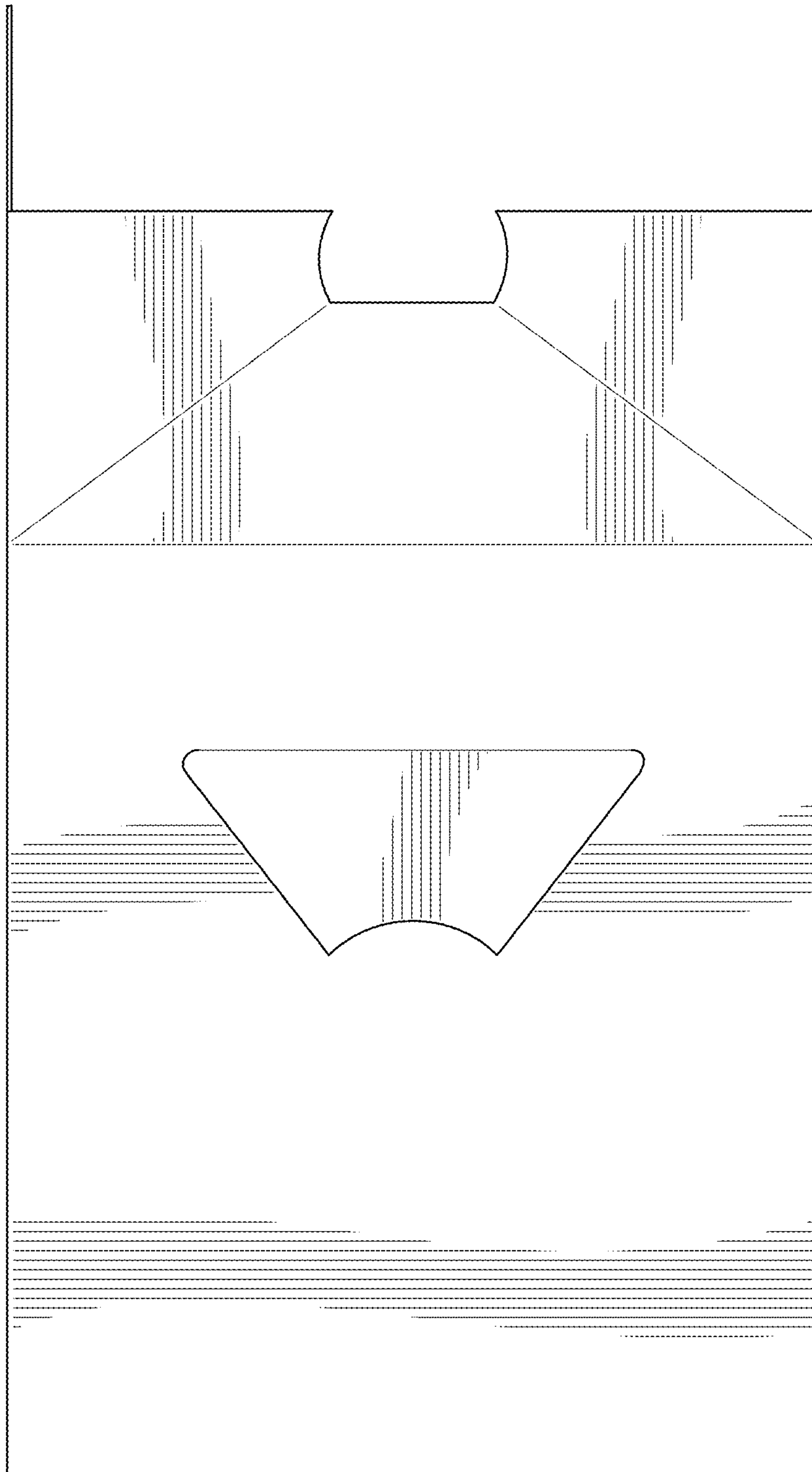


FIG. 28

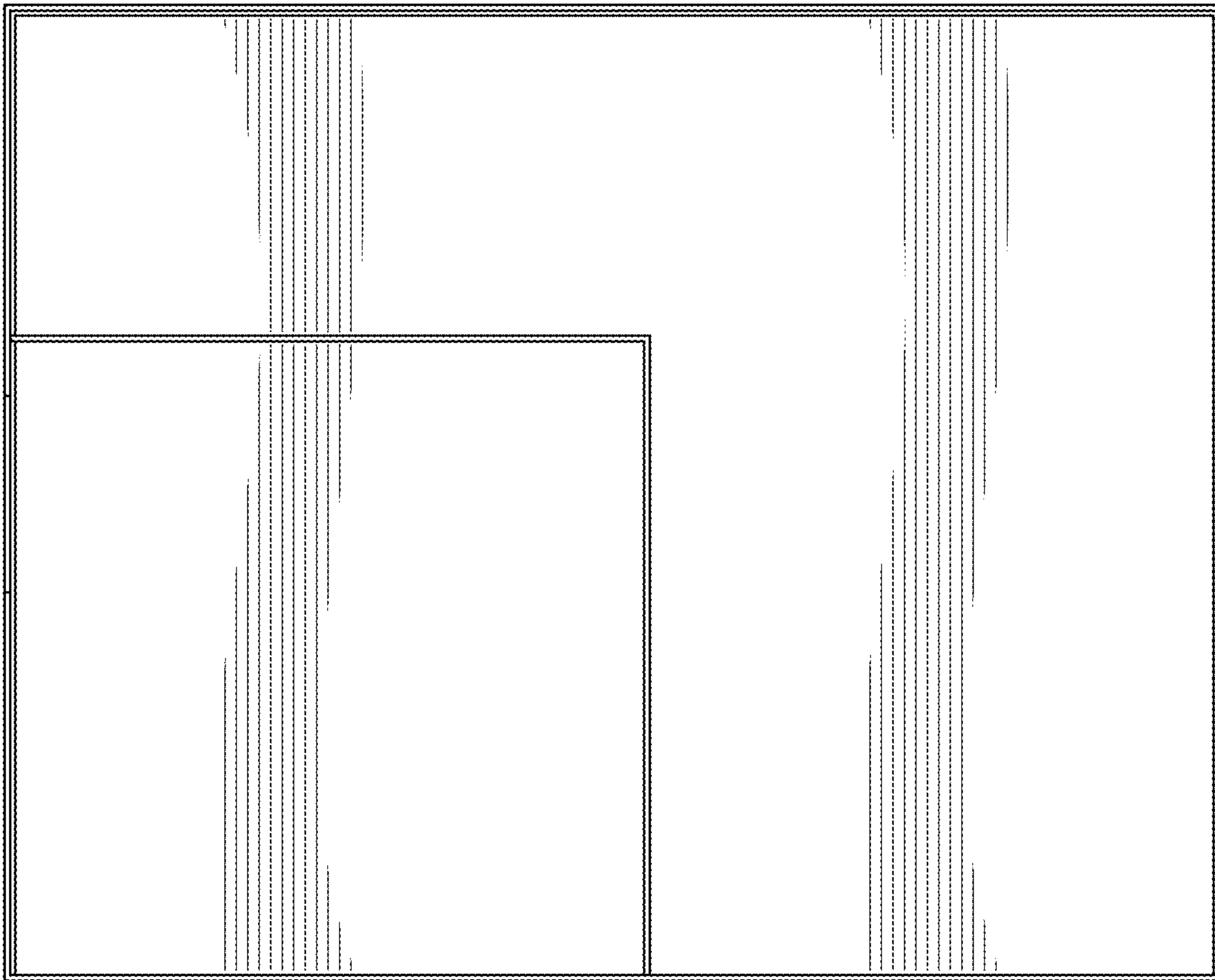


FIG. 29

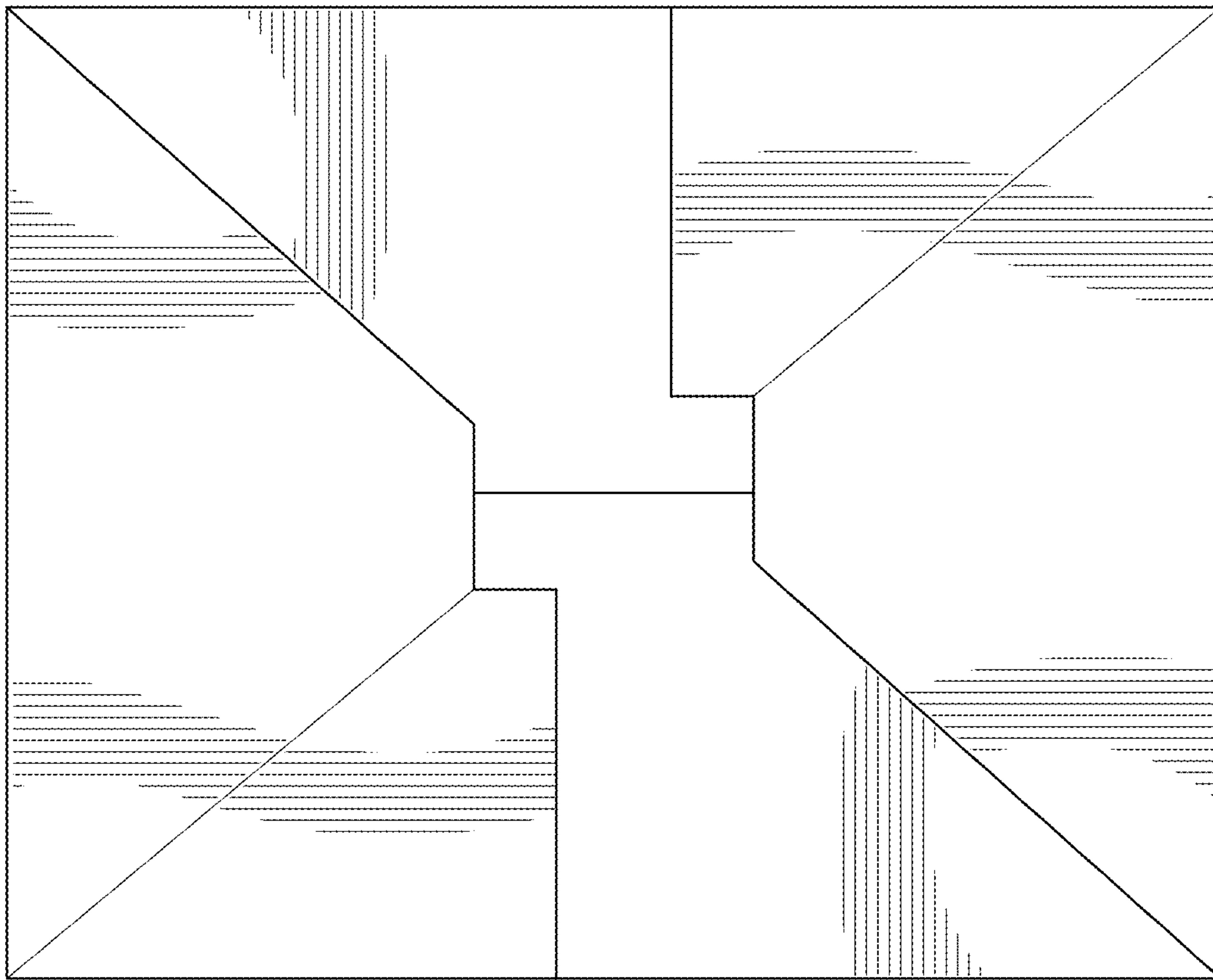


FIG. 30

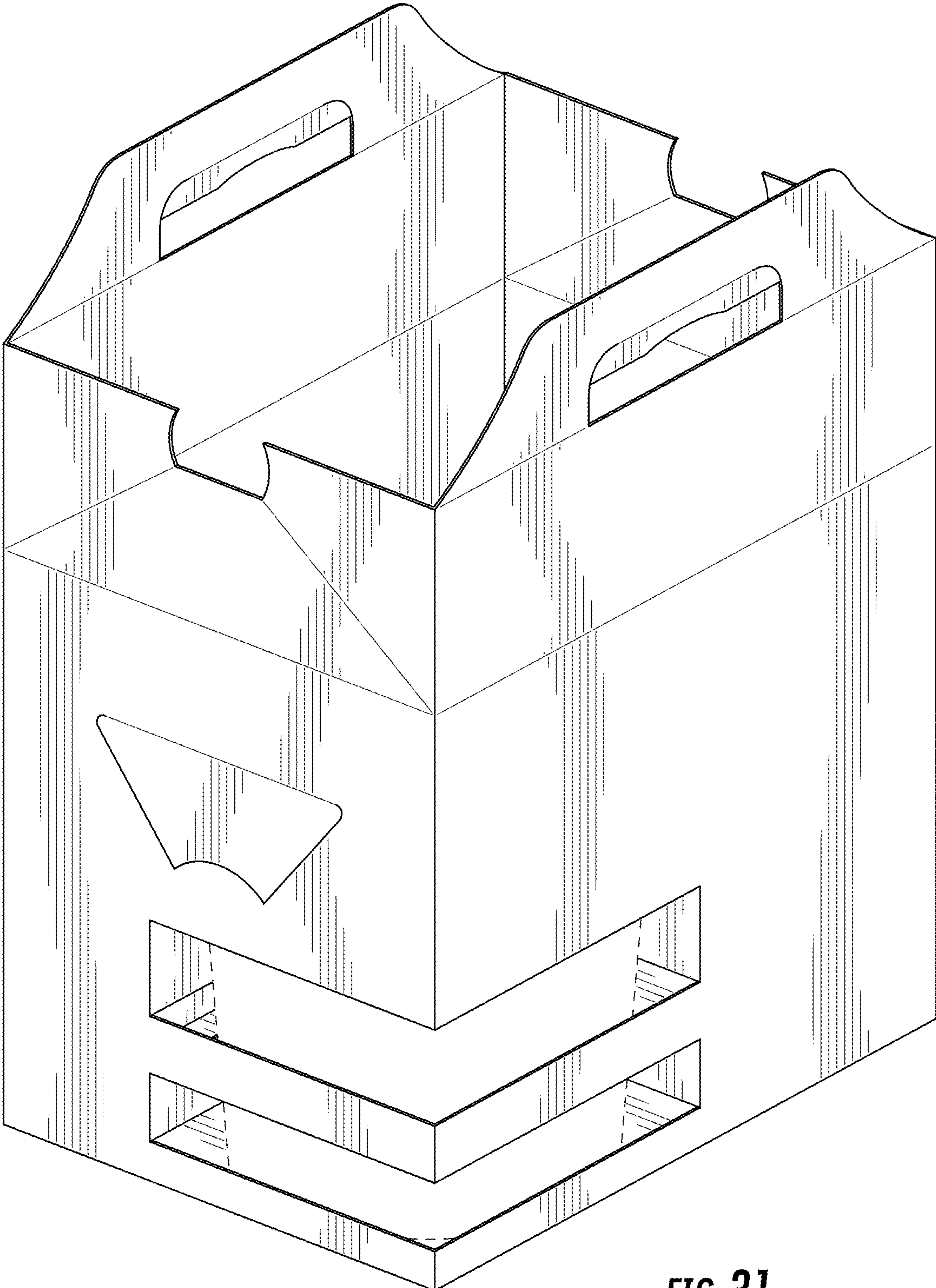


FIG. 31