



US00D891918S

(12) **United States Design Patent** (10) **Patent No.:** **US D891,918 S**
Chen (45) **Date of Patent:** **** Aug. 4, 2020**

(54) **CONTAINER**
(71) Applicant: **TAISHAN CHANGJIANG PLASTIC PRODUCT CO., LTD**, Taishan, Guangdong Province (CN)
(72) Inventor: **Linzhao Chen**, Taishan (CN)
(73) Assignee: **TAISHAN CHANGJIANG PLASTIC PRODUCT CO., LTD**, Taishan (CN)

(**) Term: **15 Years**

(21) Appl. No.: **29/678,939**

(22) Filed: **Jan. 31, 2019**

(51) **LOC (12) Cl.** **09-03**

(52) **U.S. Cl.**
USPC **D9/425; D9/737**

(58) **Field of Classification Search**
USPC D9/414, 415, 418, 424, 425, 426, 430, D9/737, 761; D7/601, 602, 629, 630
CPC B65D 2543/00296; B65D 5/4204; B65D 1/34; B65D 25/54; B65D 2543/00731; B65D 85/34; B65D 5/5021; B65D 81/3453; B65D 2205/00; B65D 2543/0024; B65D 25/10; B65D 43/021; B65D 25/04; B65D 75/366; B65D 77/003; B65D 77/02; B65D 5/4295; B65D 5/5038; B65D 1/0207; B65D 2543/00648; B65D 81/263; B65D 1/38; B65D 2577/205; B65D 2543/00759; B65D 71/70; B65D 2543/00231; B65D 43/02; B65D 5/2047; B65D 1/0223; B65D 1/40; B65D 75/522; B65D 81/3216; B65D 2519/00273; B65D 75/322; B65D 15/22; B65D 2519/00034
See application file for complete search history.

(56) **References Cited**

U.S. PATENT DOCUMENTS

D236,691 S * 9/1975 Haase D9/761
D269,854 S * 7/1983 Comisso D9/426

D318,207 S * 7/1991 Anderson D7/549
D408,733 S * 4/1999 McCann D9/423
D494,857 S * 8/2004 Chen D9/424
D539,666 S * 4/2007 Chou D9/425
D555,475 S * 11/2007 Enriquez D9/432
D578,387 S * 10/2008 Lovett D9/737
D622,588 S * 8/2010 Wichmann D9/424
D626,863 S * 11/2010 Lovett D9/424
D684,466 S * 6/2013 Wichmann D9/426
D699,568 S * 2/2014 Epstein D9/425
D763,706 S * 8/2016 Shum D9/737
D764,317 S * 8/2016 Martinez D9/761
D813,664 S * 3/2018 Magana D9/425
D830,796 S * 10/2018 Chen D7/703
2004/0031799 A1 * 2/2004 Dege B65D 1/36
220/523
2009/0078603 A1 * 3/2009 Imai G11B 23/0236
206/387.15
2010/0084401 A1 * 4/2010 Golota B65D 43/0249
220/270

(Continued)

Primary Examiner — Lauren R Calve
(74) *Attorney, Agent, or Firm* — Innovation Capital Law Group, LLP; Vic Lin

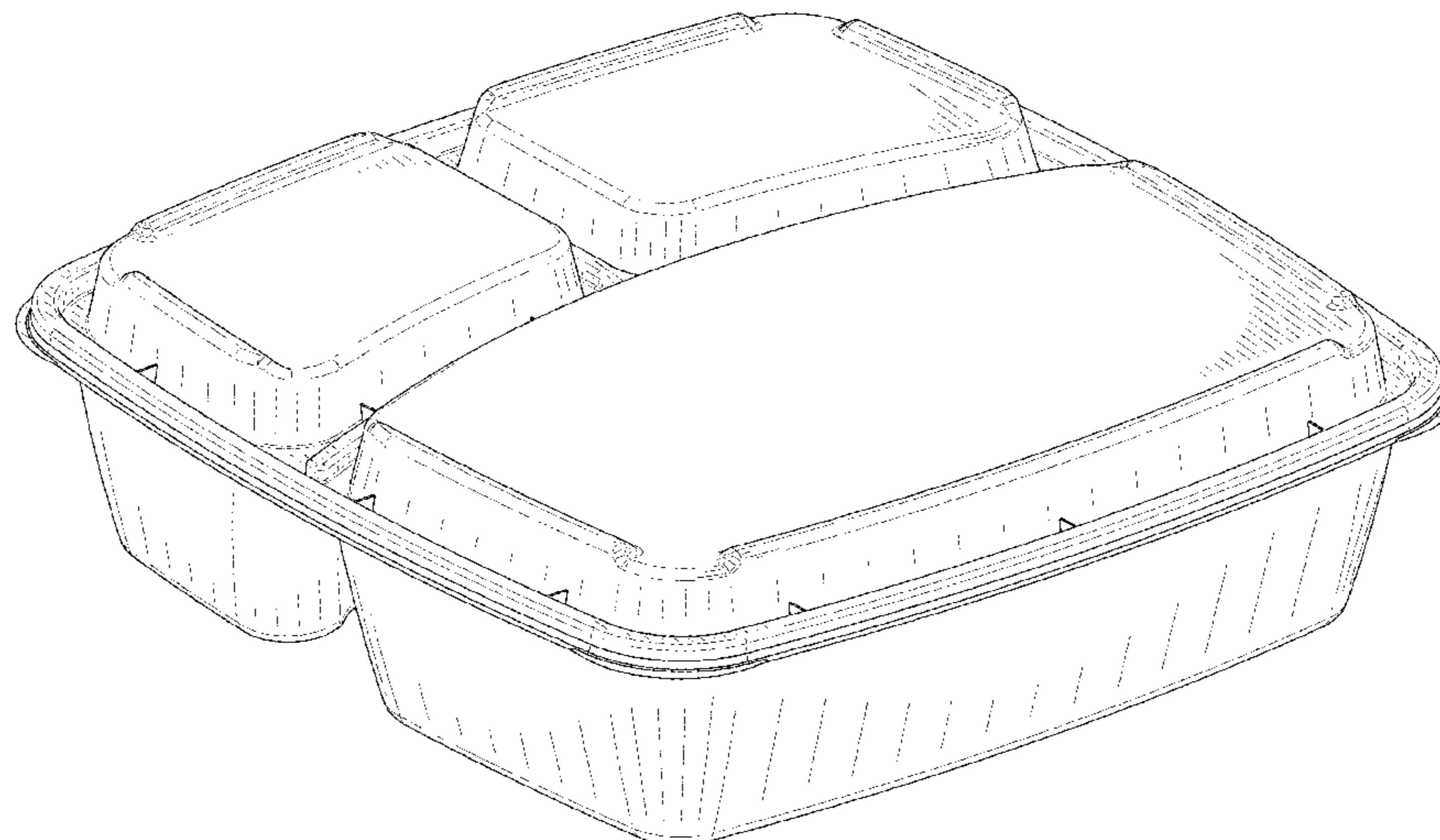
(57) **CLAIM**

The ornamental design for a container, as shown and described.

DESCRIPTION

FIG. 1 is a front elevation view of a container;
FIG. 2 is a rear elevation view thereof;
FIG. 3 is a right elevation view thereof;
FIG. 4 is a left elevation view thereof;
FIG. 5 is a top plan view thereof;
FIG. 6 is a bottom plan view thereof; and,
FIG. 7 is a perspective view thereof.
The broken lines in the FIGURES show portions of the container which form no part of the claimed design.

1 Claim, 7 Drawing Sheets



(56)

References Cited

U.S. PATENT DOCUMENTS

2010/0326878 A1* 12/2010 Mangino B65D 1/36
206/561

* cited by examiner

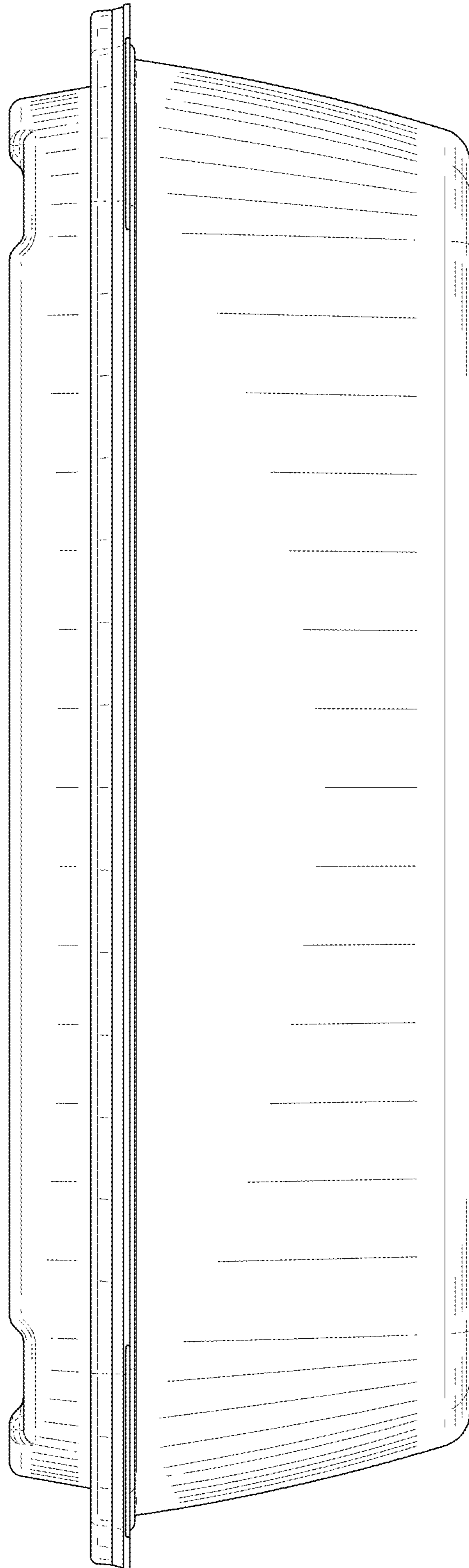


FIG. 1

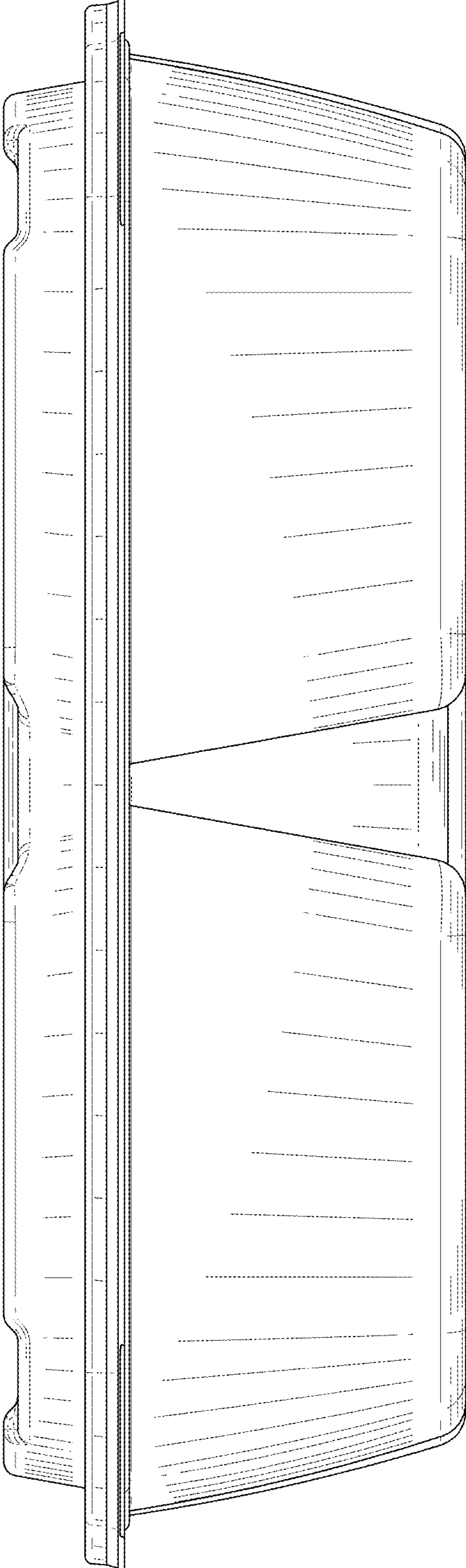


FIG. 2

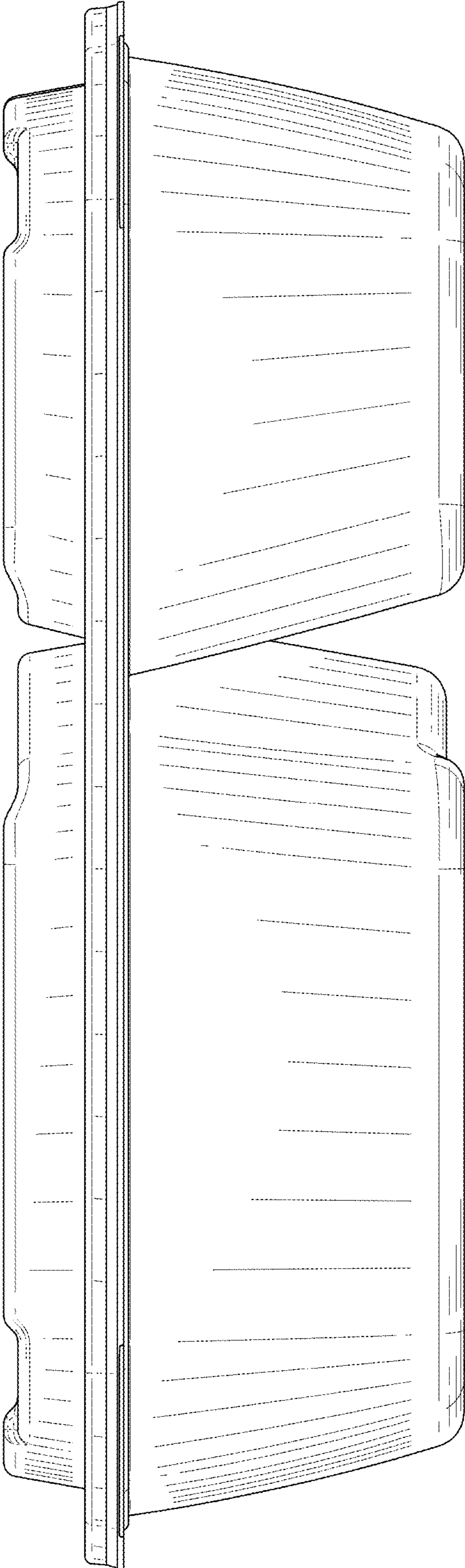


FIG. 3

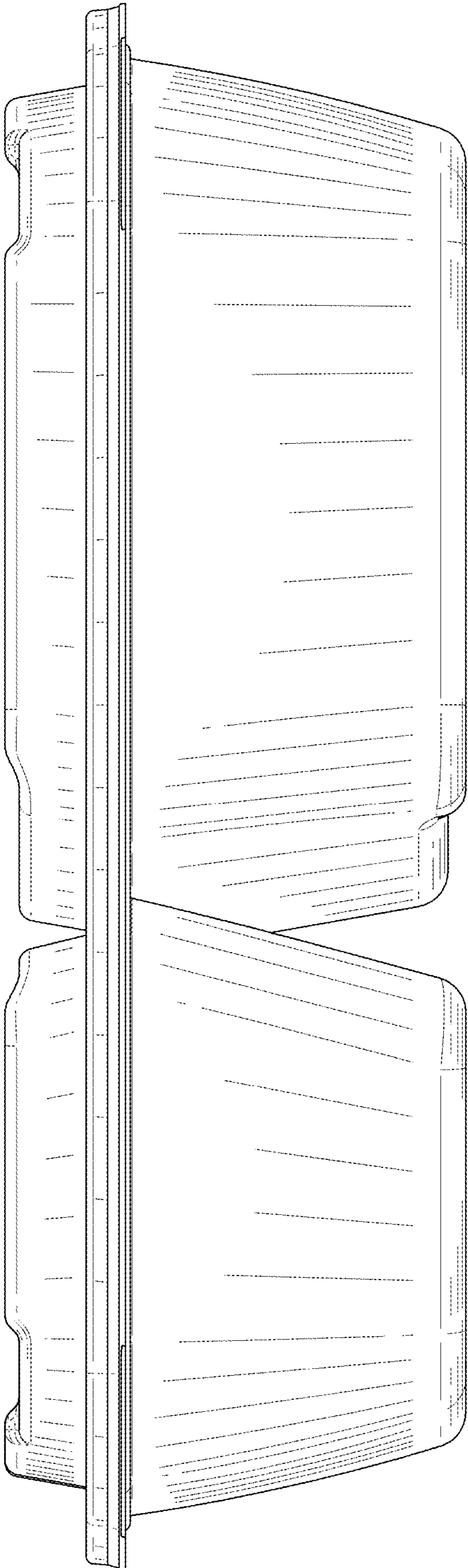


FIG. 4

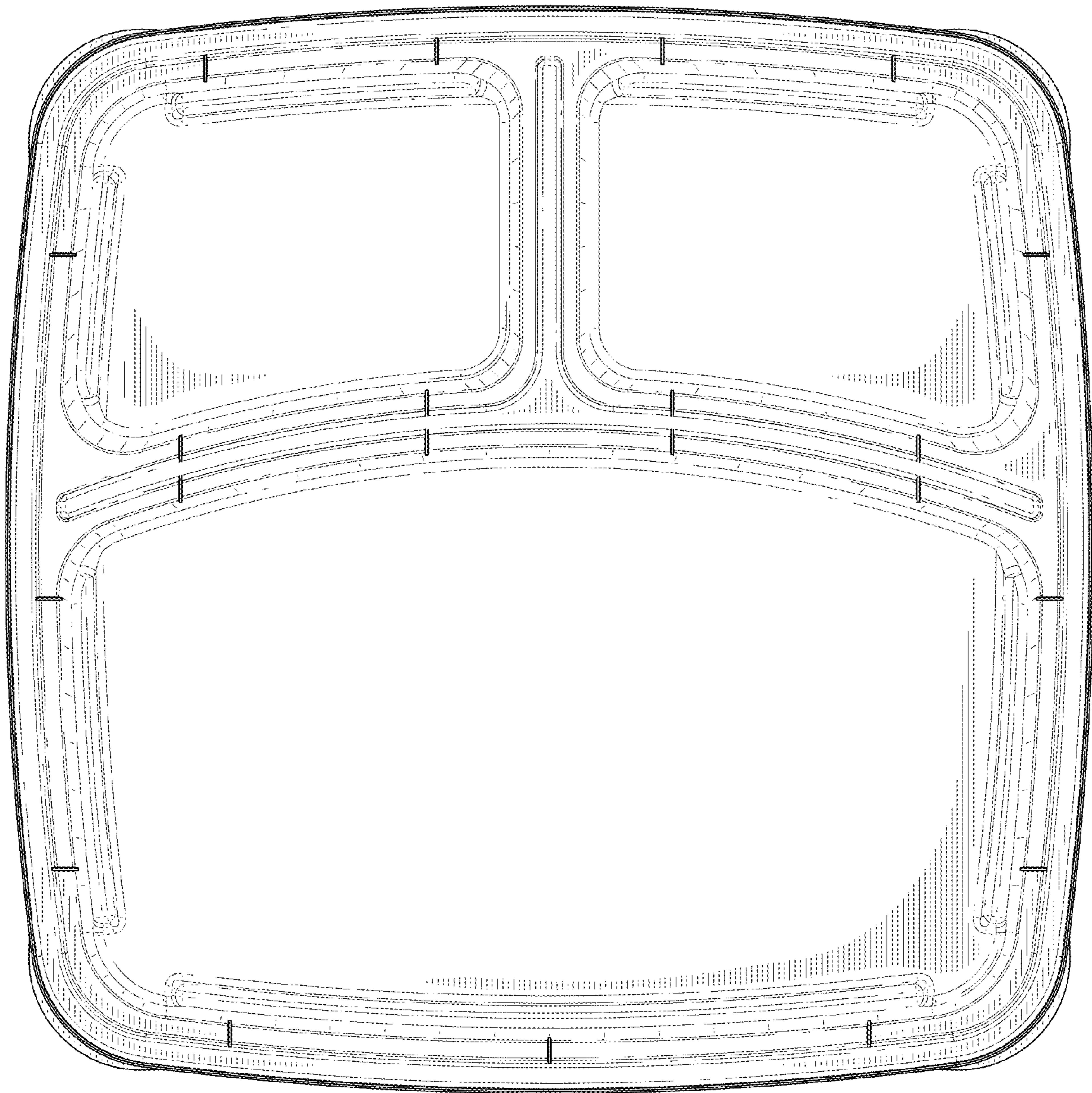


FIG. 5

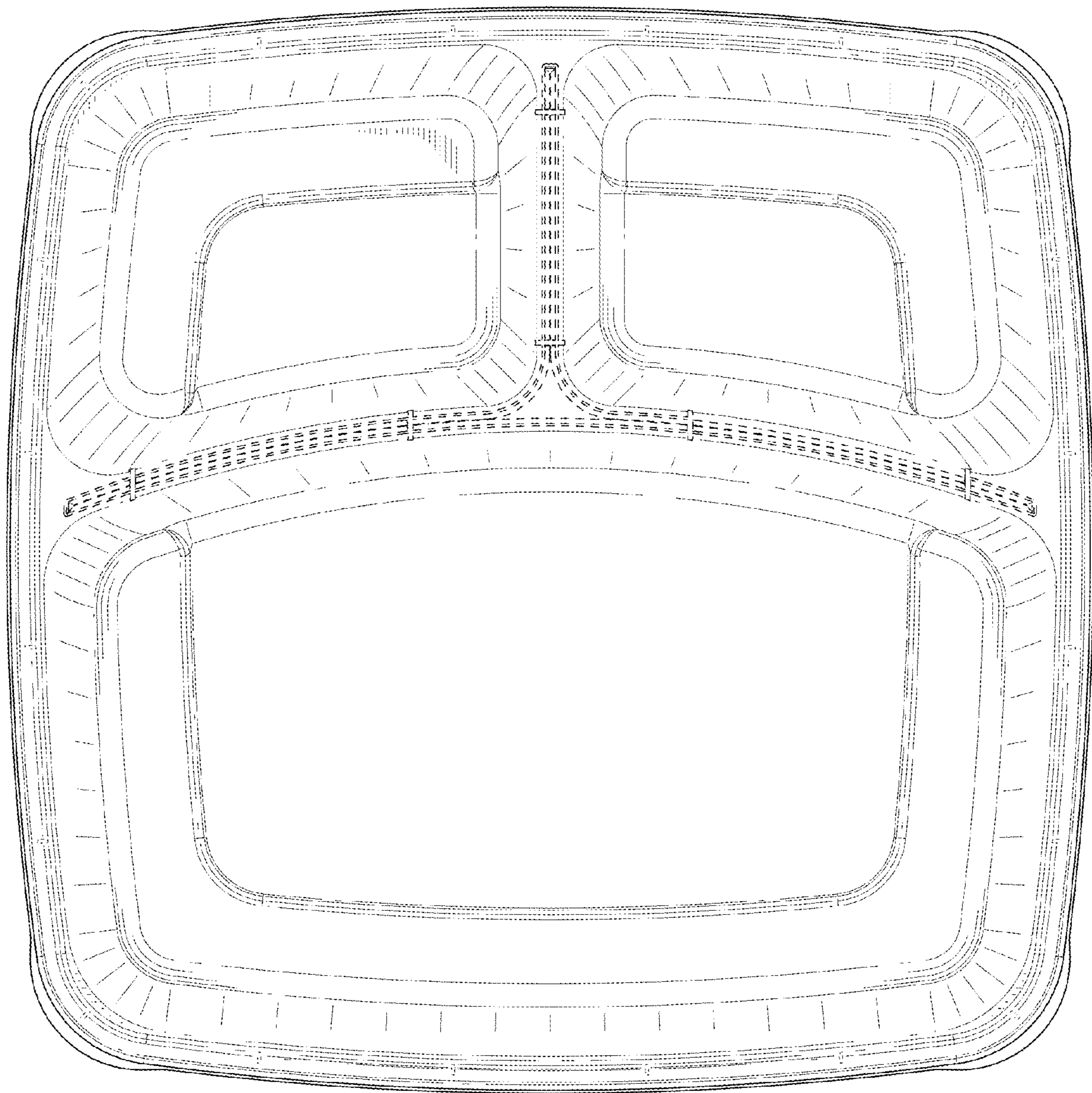


FIG. 6

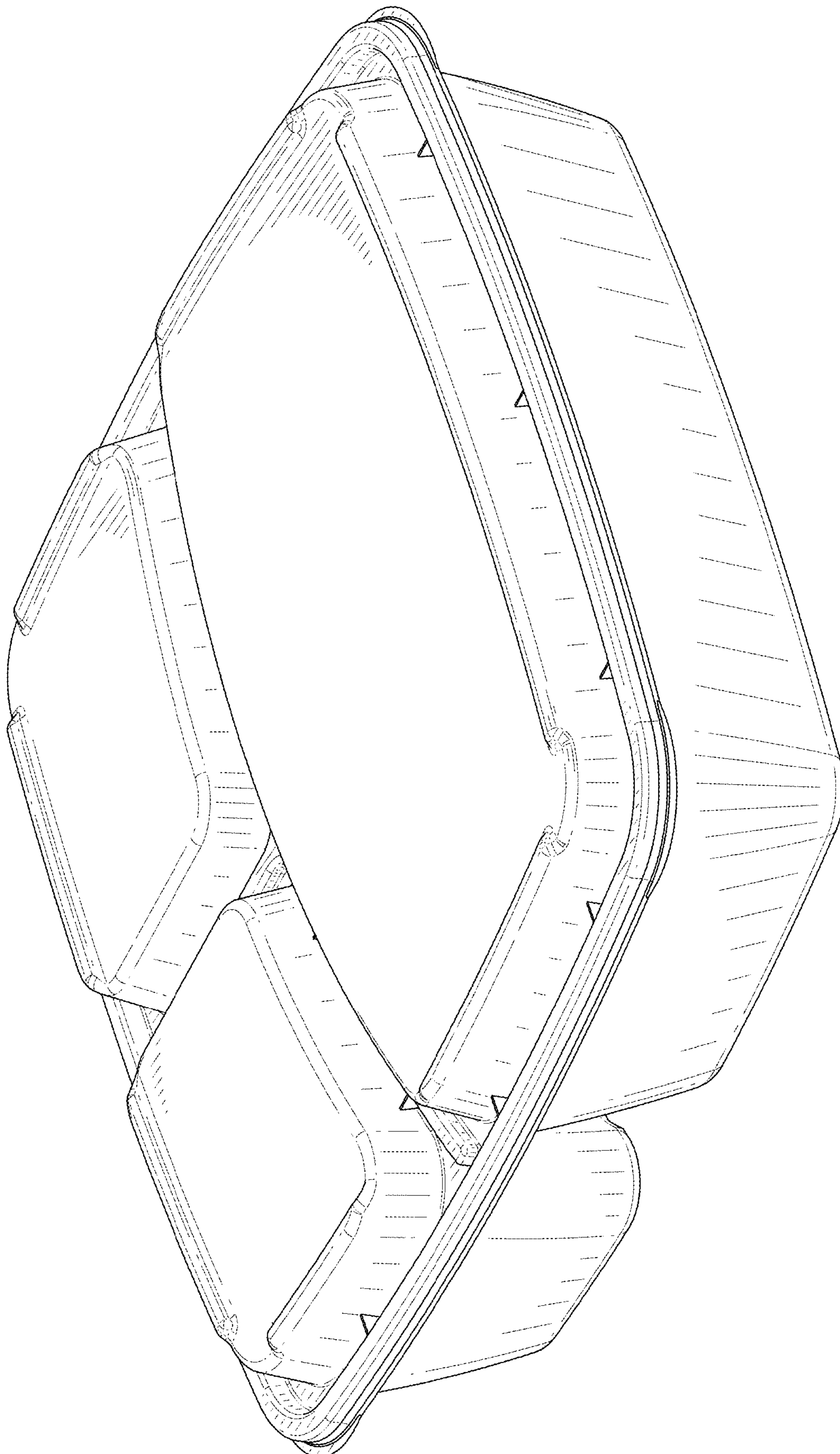


FIG. 7