



US00D891917S

(12) **United States Design Patent** (10) **Patent No.:** **US D891,917 S**
Candan (45) **Date of Patent:** **** *Aug. 4, 2020**

- (54) **PACKAGING CARTON**
- (71) Applicant: **ANL GIDA SANAYI VE TICARET LIMITED SIRKETI**, Istanbul (TR)
- (72) Inventor: **Onder Candan**, Istanbul (TR)
- (73) Assignee: **ANL GIDA SANAYI VE TICARET LIMITED SIRKETI**, Istanbul (TR)
- (*) Notice: This patent is subject to a terminal disclaimer.
- (**) Term: **15 Years**
- (21) Appl. No.: **29/570,044**
- (22) Filed: **Jul. 3, 2016**
- (51) **LOC (12) Cl.** **09-03**
- (52) **U.S. Cl.**
USPC **D9/418**; D9/432; D9/433
- (58) **Field of Classification Search**
USPC D9/414-434, 442-445, 456, 457, 542, D9/563, 600, 614-624, 655, 657, 658, D9/661, 685, 696, 697-699, 707, 708, D9/711, 754, 759, 772-776; D3/273, D3/276, 304, 309-313; D7/601, 602, 709
CPC B65D 5/00; B65D 5/001; B65D 5/0015; B65D 5/0227-0254; B65D 5/18; B65D 5/38; B65D 5/40; B65D 5/2033; B65D 5/48024; B65D 5/6605; B65D 1/22; B65D 1/24; B65D 1/34; B65B 5/06
See application file for complete search history.

D669,350 S *	10/2012	Althoff	D9/418
D671,401 S *	11/2012	Grabes	D9/418
D678,779 S *	3/2013	Lee	D9/418
D691,035 S *	10/2013	Sill	D9/418
D699,562 S *	2/2014	Klauder	D9/418
D706,129 S *	6/2014	Boraczek	D9/418
D712,275 S *	9/2014	Irek	D9/418
D726,535 S *	4/2015	Sanfilippo et al.		
D735,600 S *	8/2015	Turner	D11/130
D746,138 S *	12/2015	Bernstein	D9/499
D752,284 S *	3/2016	Doster	D27/189
D776,985 S *	1/2017	Kim	D15/89
D778,149 S *	2/2017	Frick	D9/416
D778,986 S *	2/2017	Kacin	D19/77
2008/0217390 A1	9/2008	Sattel et al.		
2015/0034709 A1 *	2/2015	Spivey, Sr.	B65D 71/36 229/117.24

* cited by examiner

Primary Examiner — Susan Bennett Hattan
Assistant Examiner — Omeed Agilee
(74) *Attorney, Agent, or Firm* — Craft Chu PLLC;
Andrew W. Chu

(57) **CLAIM**

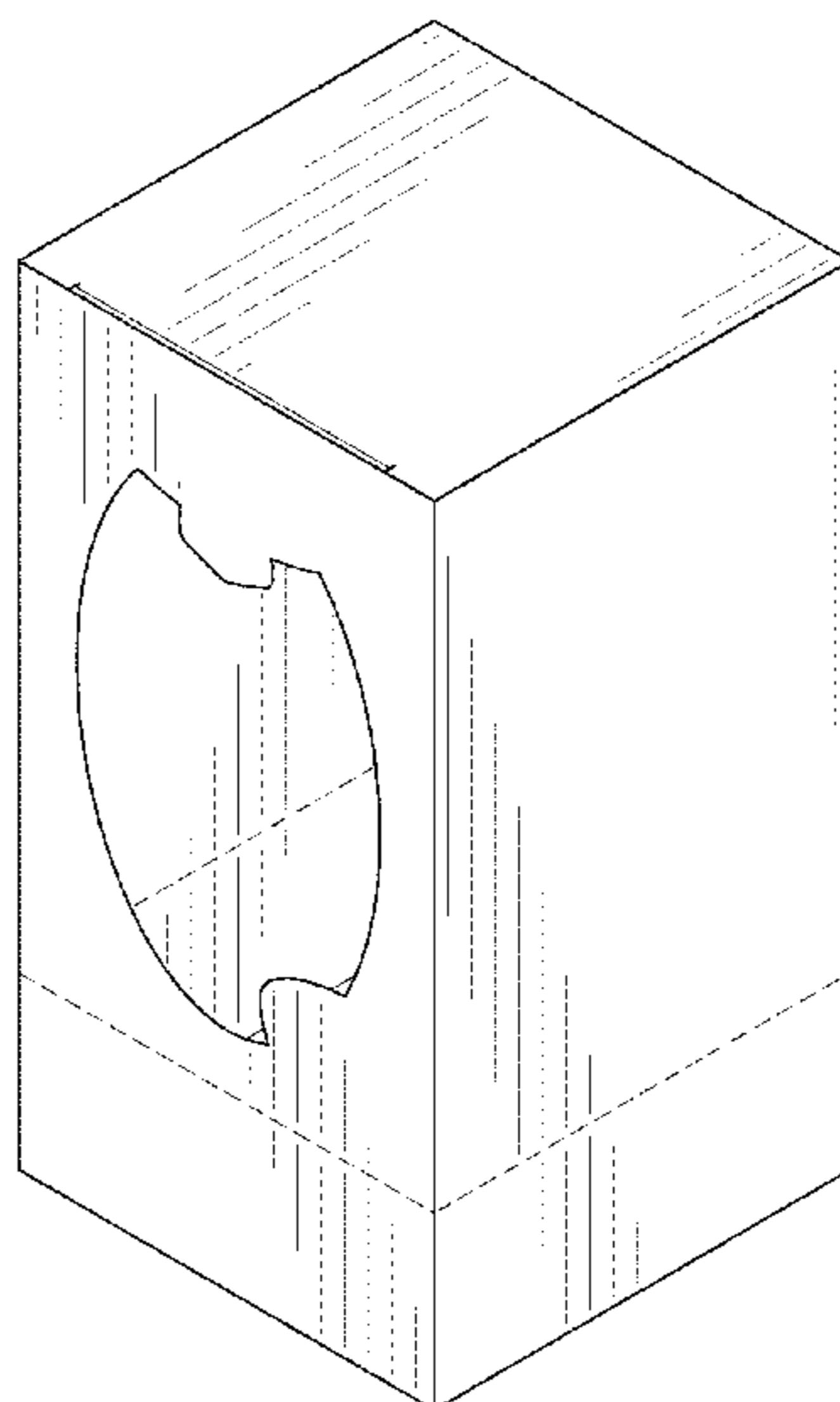
The ornamental design for a packaging carton, as shown and described.

DESCRIPTION

FIG. 1 is a front, top, and side perspective view of the of a packaging carton showing my design;
FIG. 2 is front elevational view thereof;
FIG. 3 is a side elevational view thereof, the other side elevational view and the back elevational view being identical to FIG. 3;
FIG. 4 is a top plan view thereof;
FIG. 5 is a bottom plan view thereof; and,
FIG. 6 is a top plan view of a packaging carton of FIG. 1 in an unassembled blank configuration.
The broken lines in the drawings depict perforation lines that do not form part of the claimed design.

1 Claim, 3 Drawing Sheets

- (56) **References Cited**
U.S. PATENT DOCUMENTS
D386,079 S * 11/1997 Harper D9/418
6,945,449 B2 9/2005 Hengami
D628,059 S * 11/2010 Perkins-Stanford D9/418
D629,296 S 12/2010 De Muynck
D651,910 S * 1/2012 Boyer D9/432
D651,915 S * 1/2012 Boyer D9/433



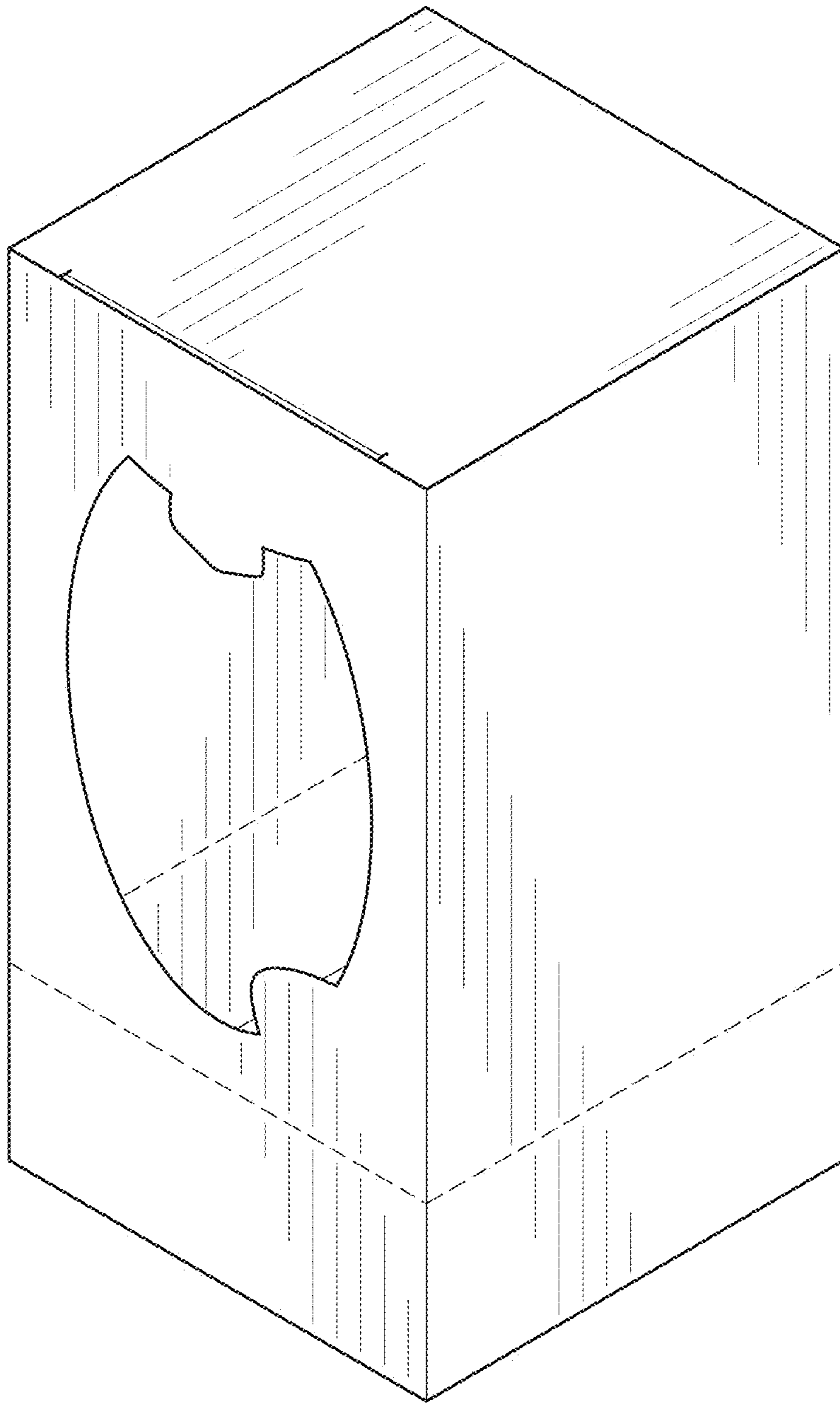


FIG. 1

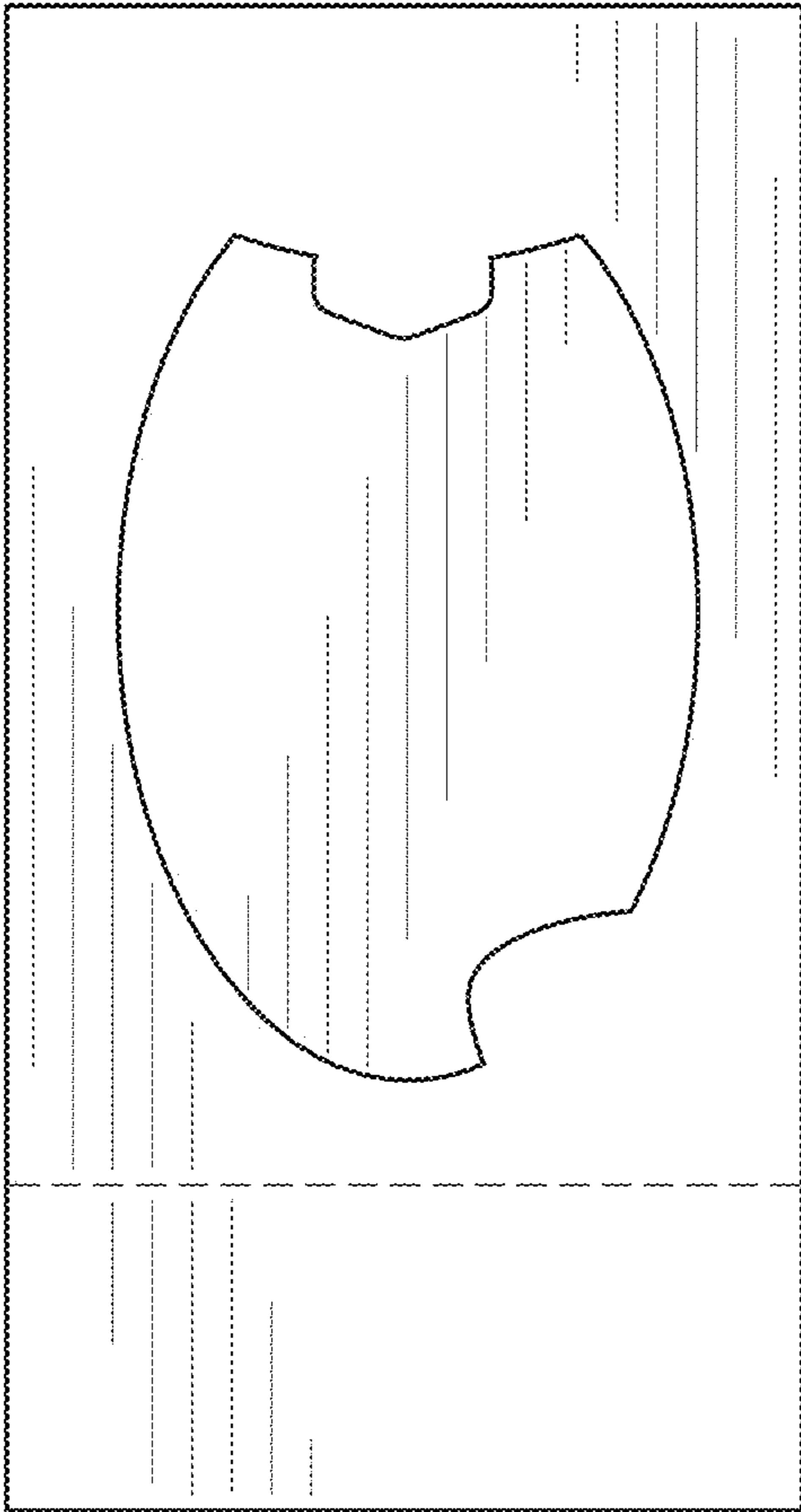


FIG. 2

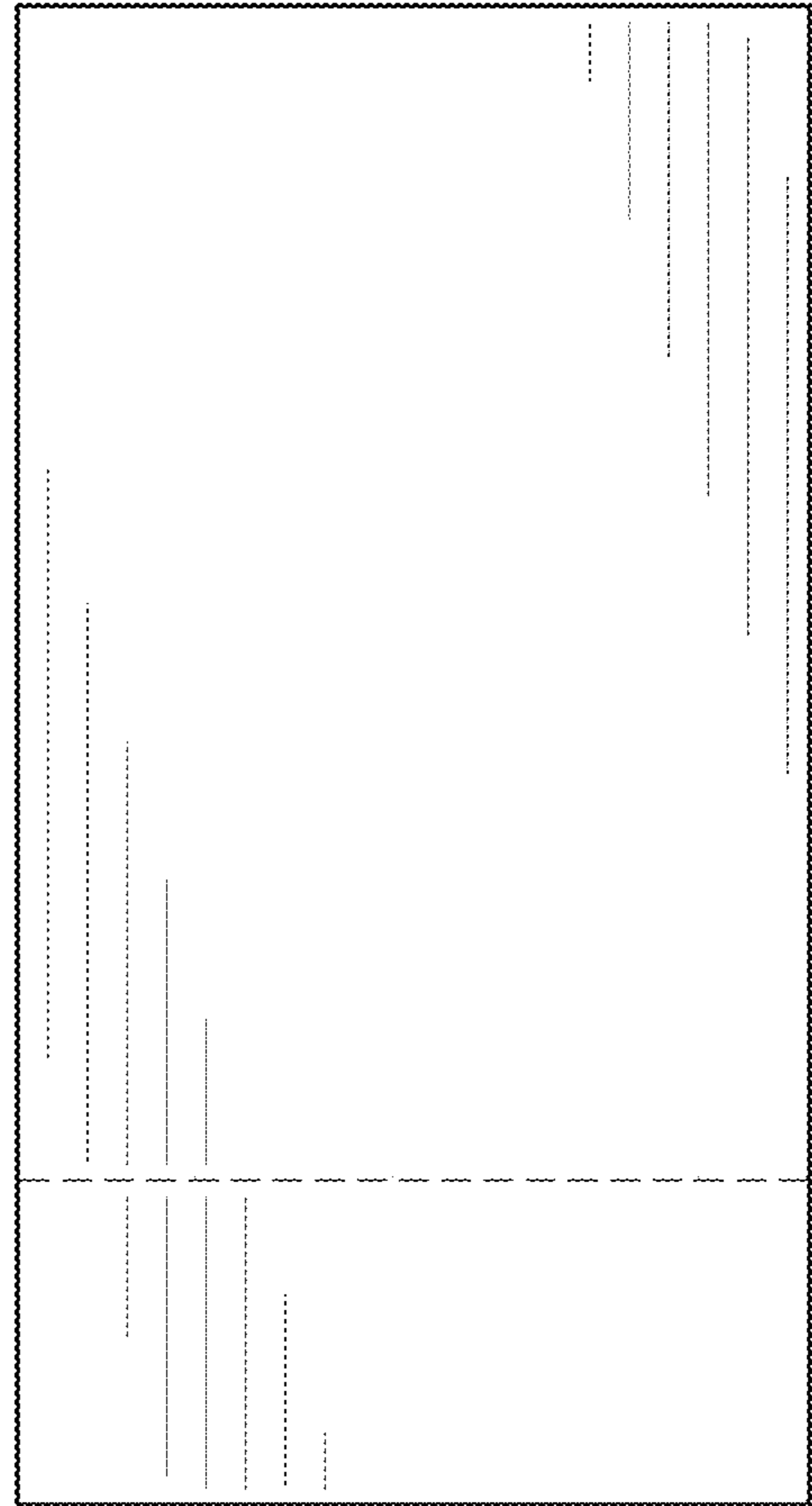


FIG. 3

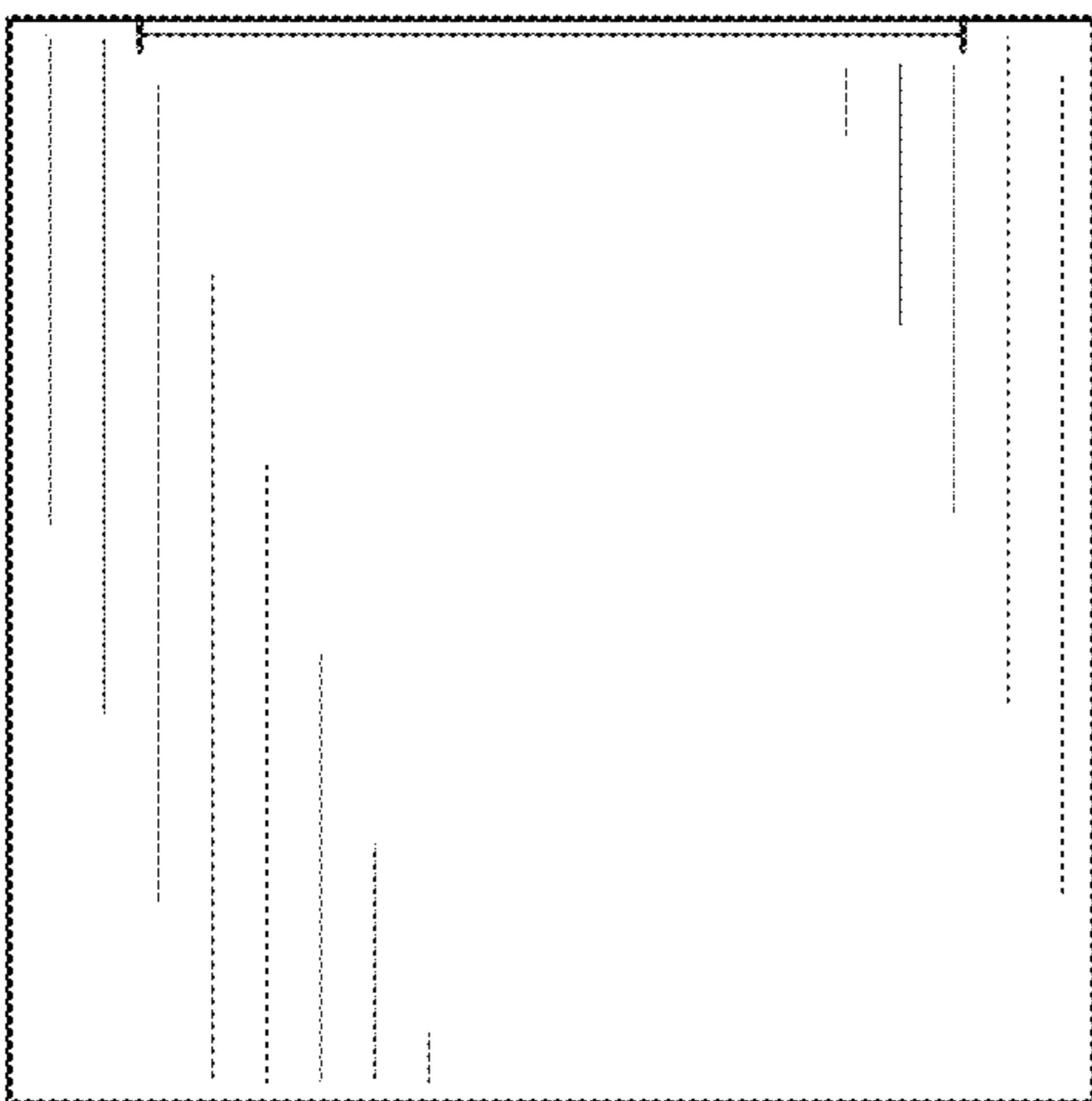


FIG. 4

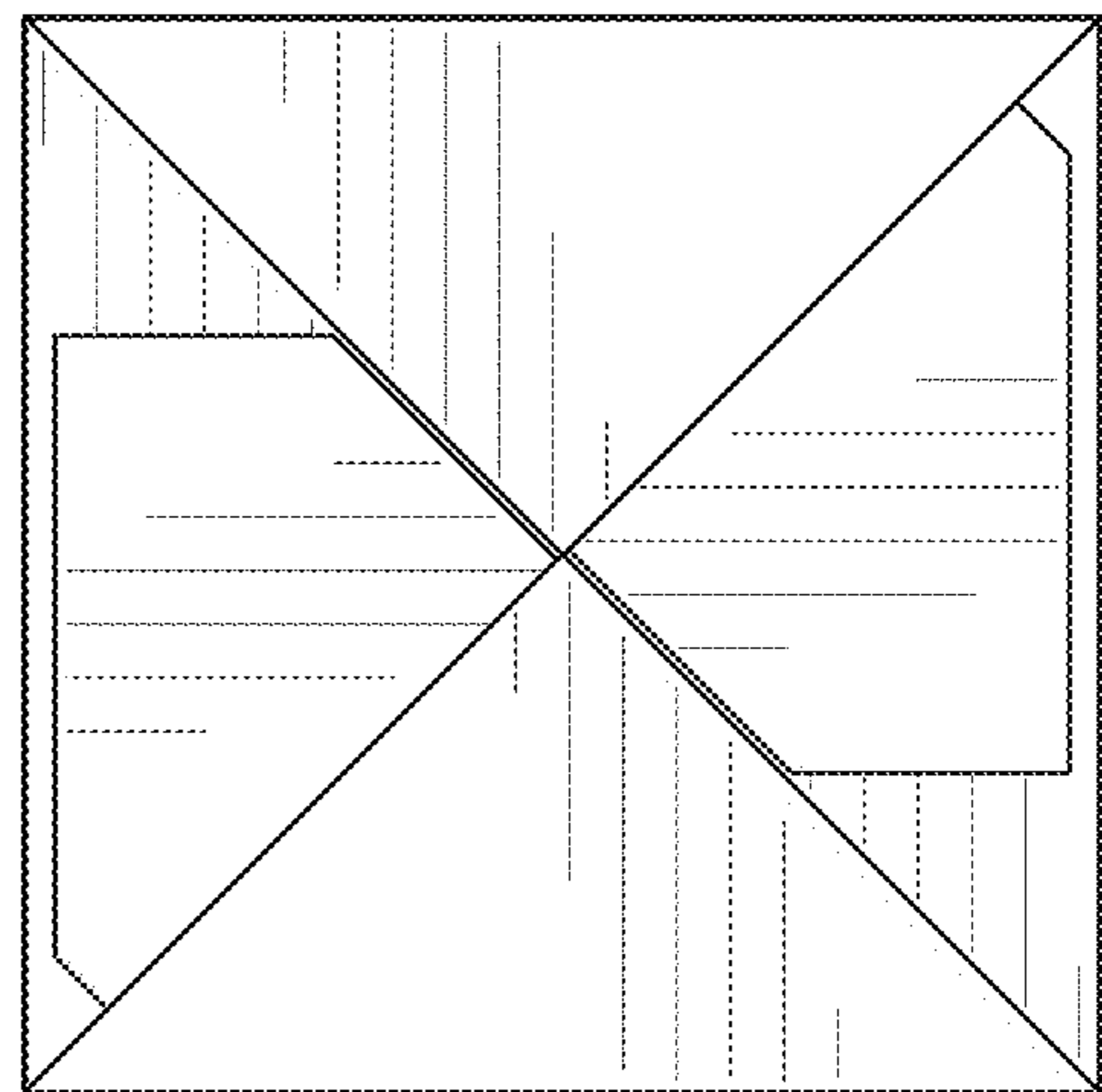


FIG. 5

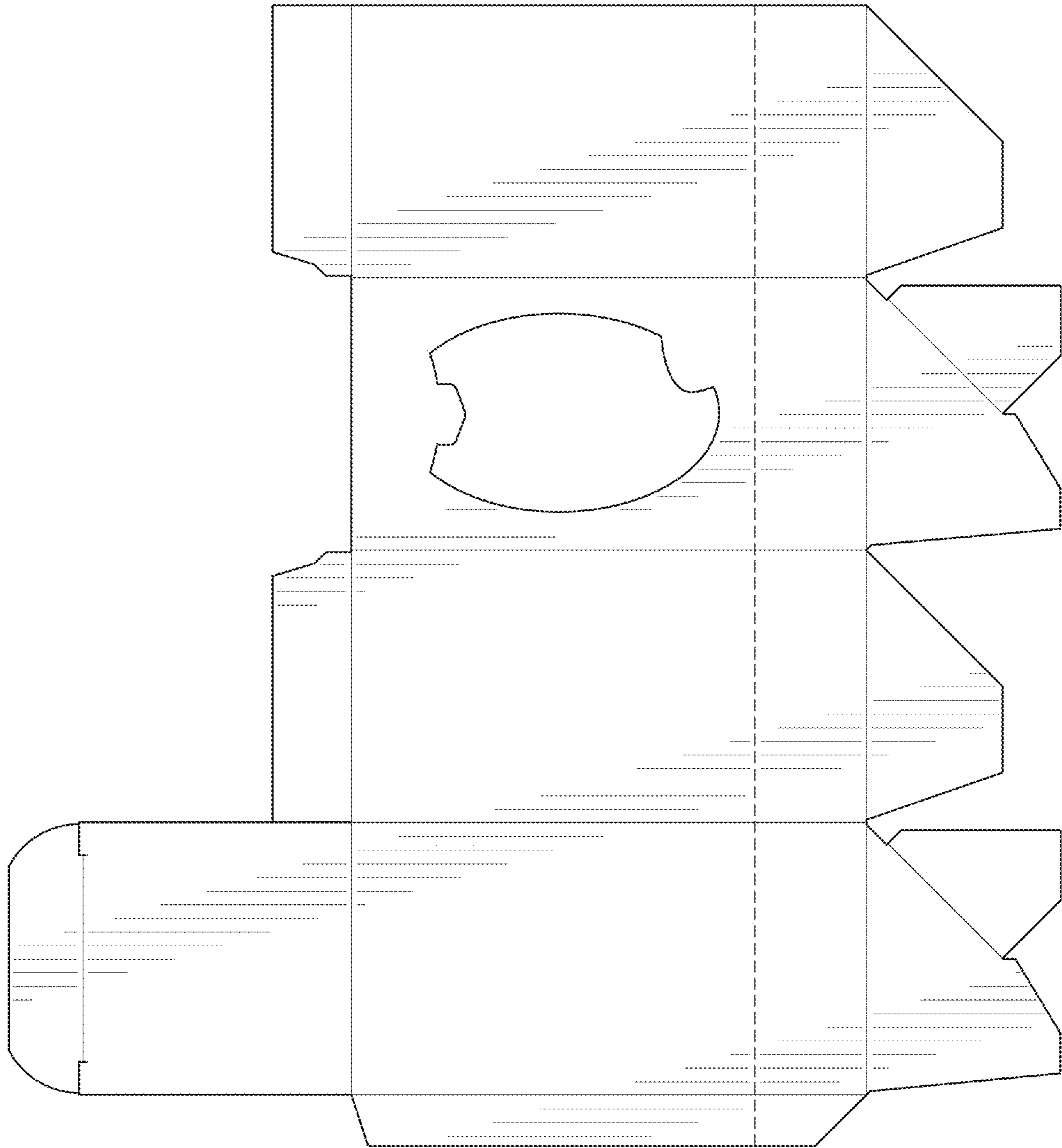


FIG. 6