



US00D891915S

(12) **United States Design Patent** (10) **Patent No.:** **US D891,915 S**
Grewe (45) **Date of Patent:** **** Aug. 4, 2020**

- (54) **DOOR STRIKE**
- (71) Applicant: **Kason Industries, Inc.**, Newnan, GA (US)
- (72) Inventor: **Brian Grewe**, Mableton, GA (US)
- (73) Assignee: **Kason Industries, Inc.**, Newnan, GA (US)
- (**) Term: **15 Years**
- (21) Appl. No.: **29/653,411**
- (22) Filed: **Jun. 14, 2018**
- (51) **LOC (12) Cl.** **08-09**
- (52) **U.S. Cl.**
USPC **D8/400; D8/330**
- (58) **Field of Classification Search**
USPC D8/330, 301, 302, 342, 339, 336, 401, D8/403, 404, 499, 400
CPC E05D 7/10; E05D 7/1066; Y10T 16/5367; Y10T 16/5377; Y10T 16/5379
See application file for complete search history.

- 7,761,958 B2 * 7/2010 Alfredsson E05D 7/1066 16/267
- D637,061 S * 5/2011 Mitchell D8/330
- D669,334 S * 10/2012 Tien D8/330
- D669,335 S * 10/2012 Tien D8/330
- D669,336 S * 10/2012 Tien D8/330
- D669,337 S * 10/2012 Tien D8/330
- 10,590,687 B1 * 3/2020 Cifers E05D 7/12

* cited by examiner

Primary Examiner — Janice Hallmark
Assistant Examiner — Harold E Blackwell, II
 (74) *Attorney, Agent, or Firm* — Baker Donelson

(57) **CLAIM**

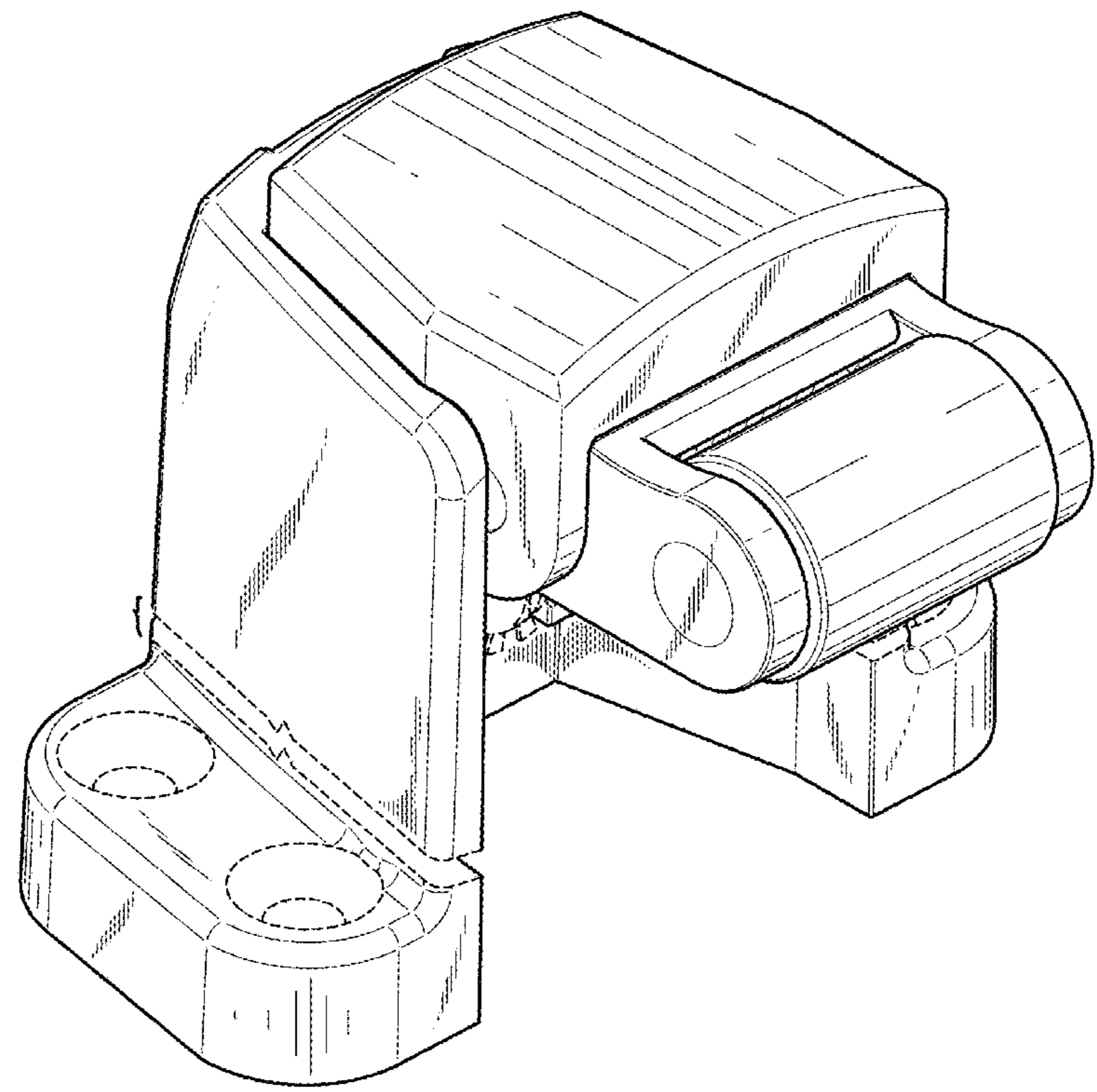
The ornamental design for a door strike, as shown and described.

DESCRIPTION

FIG. 1 is a perspective view of a door strike showing our new design.
 FIG. 2 is a top view thereof.
 FIG. 3 is a bottom view thereof.
 FIG. 4 is a front view thereof.
 FIG. 5 is a rear view thereof.
 FIG. 6 is a right side view thereof; and,
 FIG. 7 is a left side view thereof.
 The broken lines depict portions of the door strike that form no part of the claimed design.
 The door strike is shown with a symbolic break in its length.
 The appearance of any portion of the article between the break lines forms no part of the claimed design.

1 Claim, 7 Drawing Sheets

- (56) **References Cited**
U.S. PATENT DOCUMENTS
- D229,479 S * 12/1973 Borsani D8/342
- D257,944 S * 1/1981 Morita D8/331
- D260,729 S * 9/1981 Iseki D8/330
- D263,558 S * 3/1982 Morita D8/331
- D268,322 S * 3/1983 Berkowitz D8/330
- D310,952 S * 10/1990 Finkelstein D8/330
- D390,442 S * 2/1998 Finkelstein D8/330



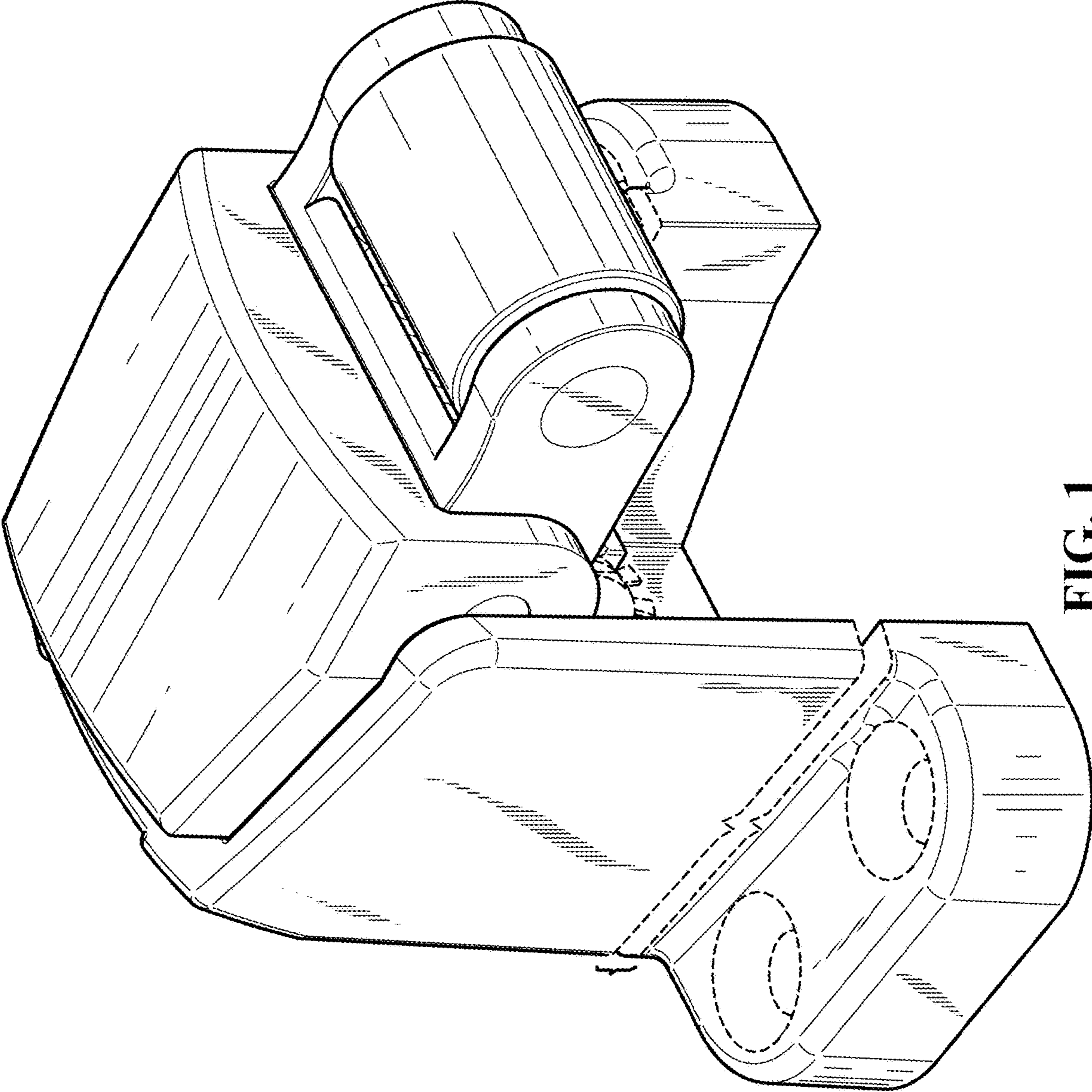


FIG. 1

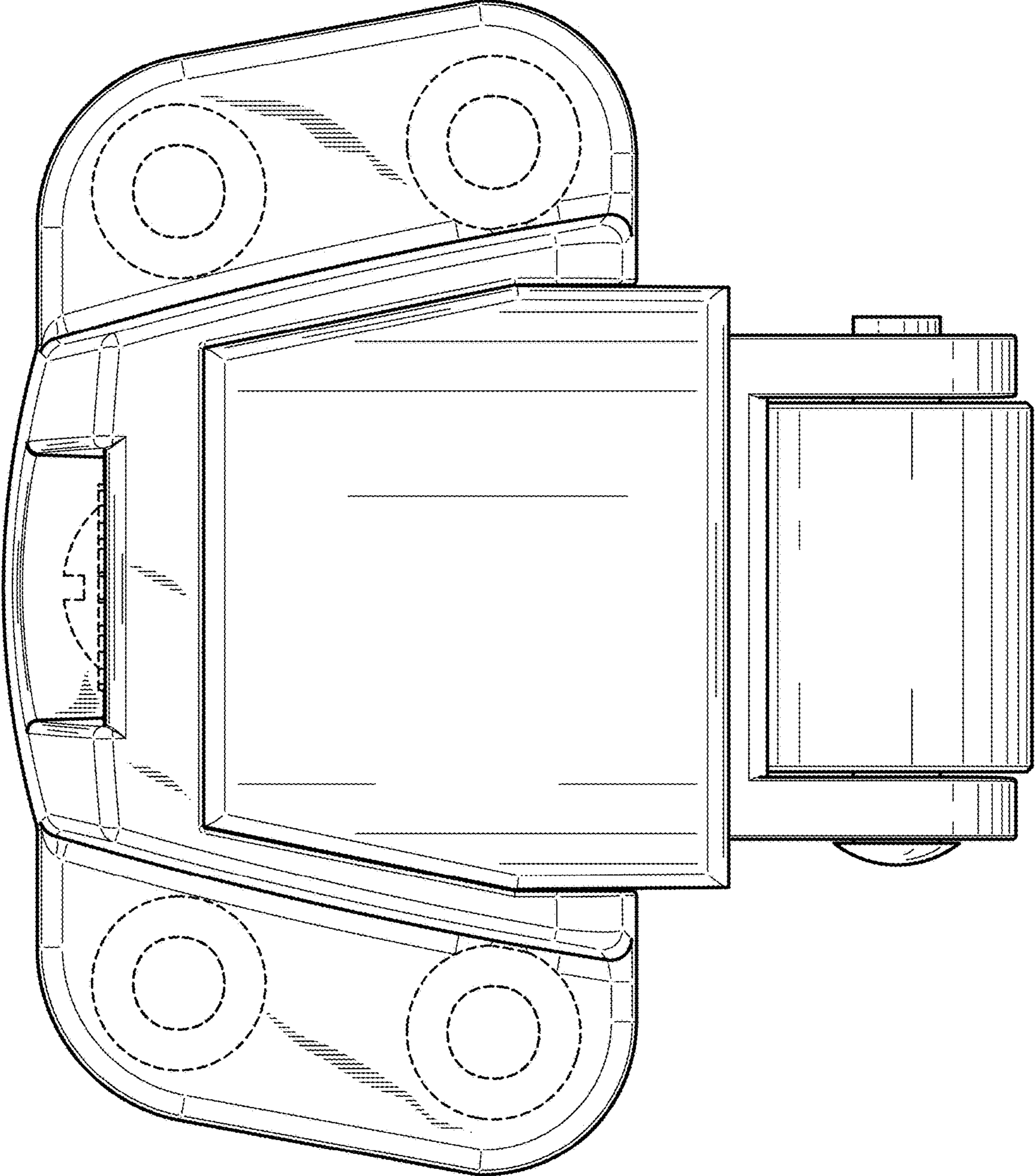


FIG. 2

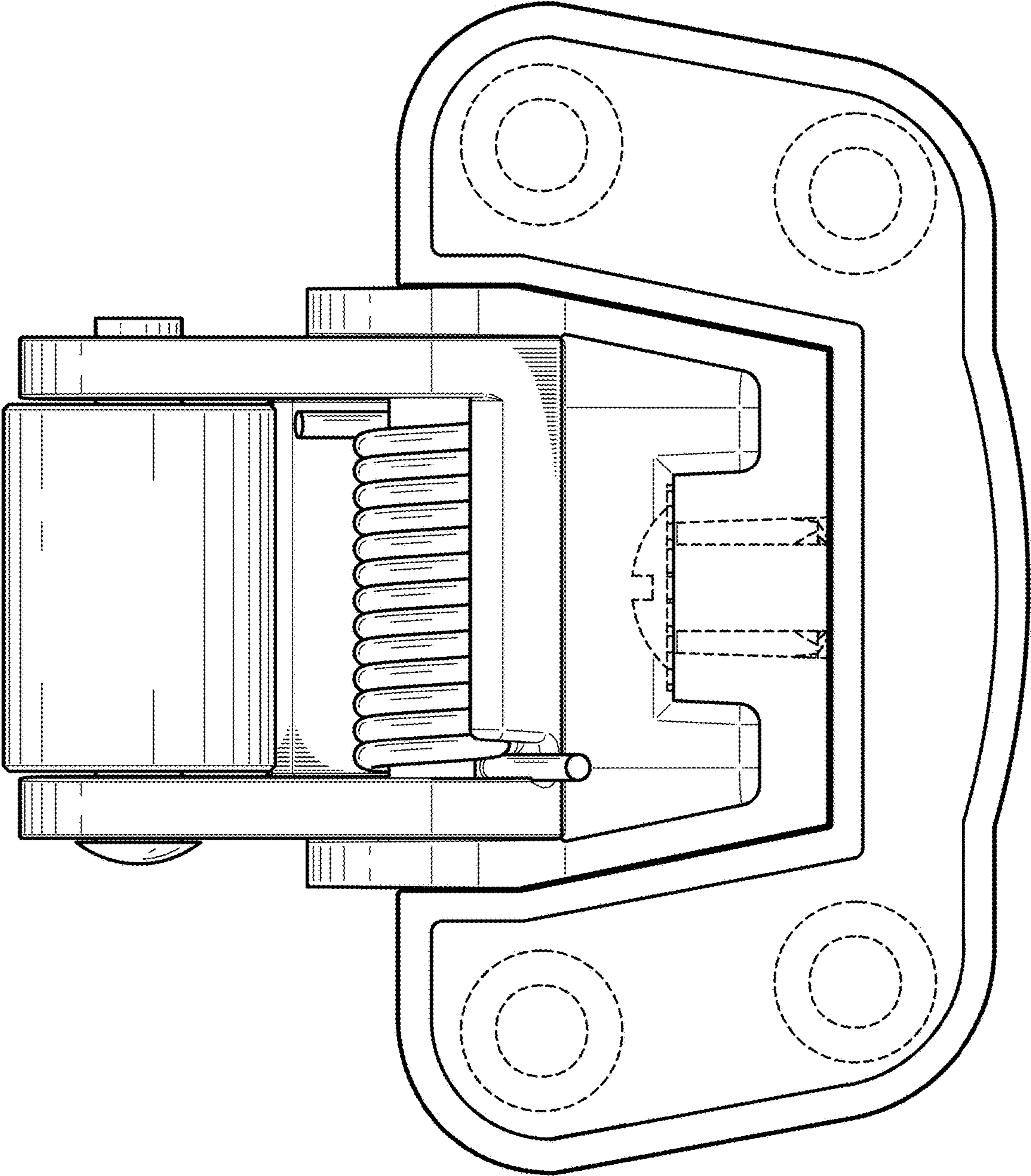


FIG. 3

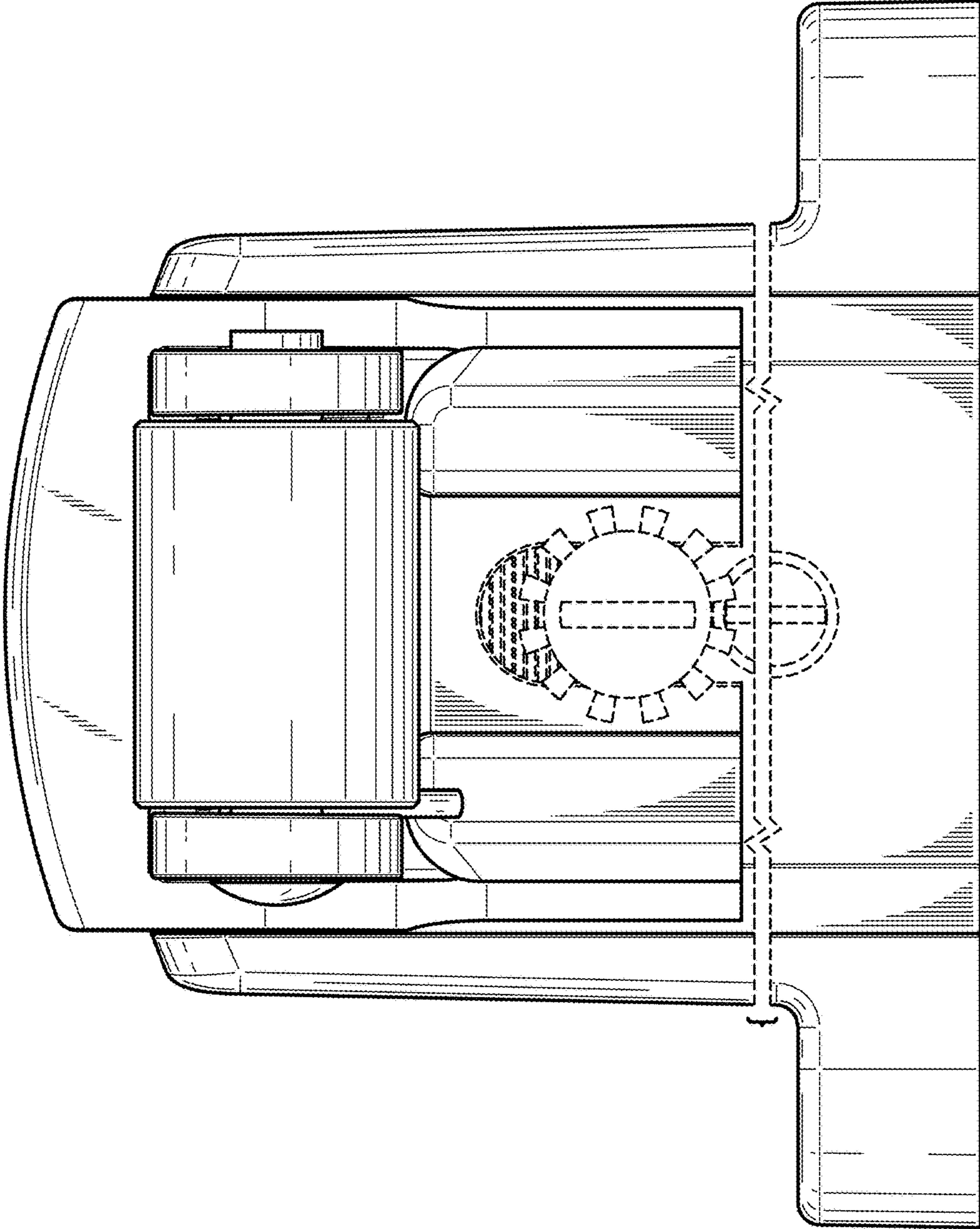


FIG. 4

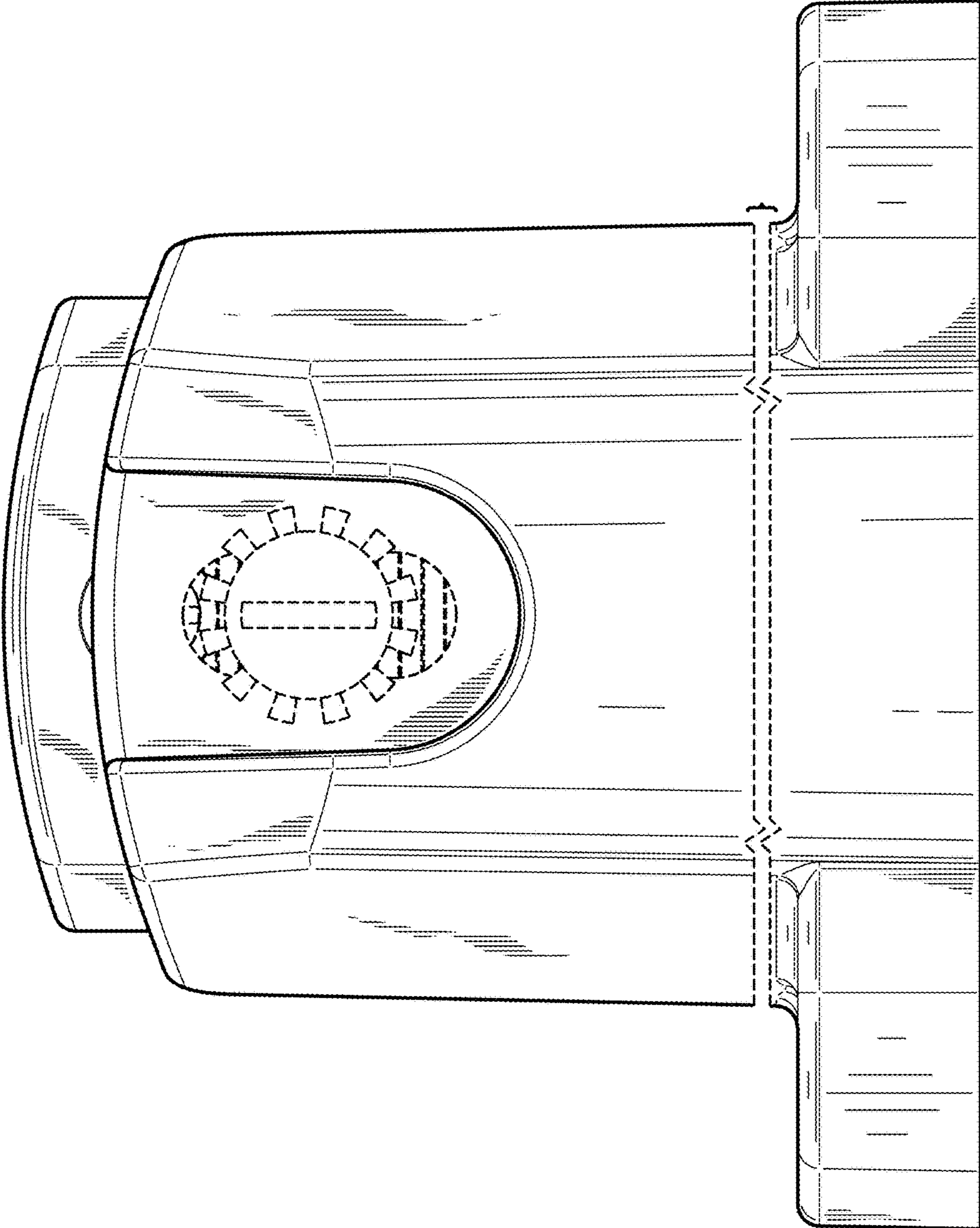


FIG. 5

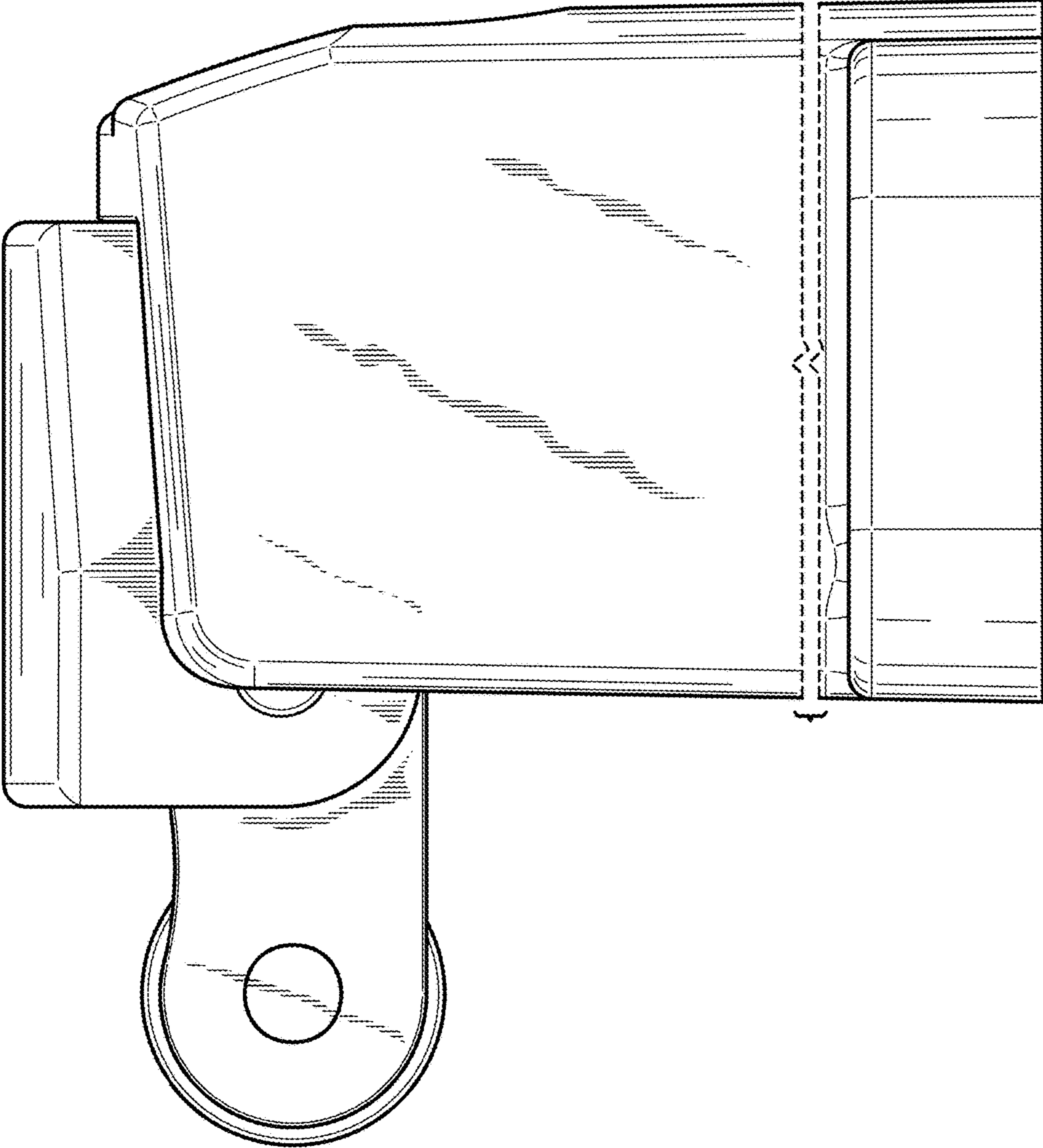


FIG. 6

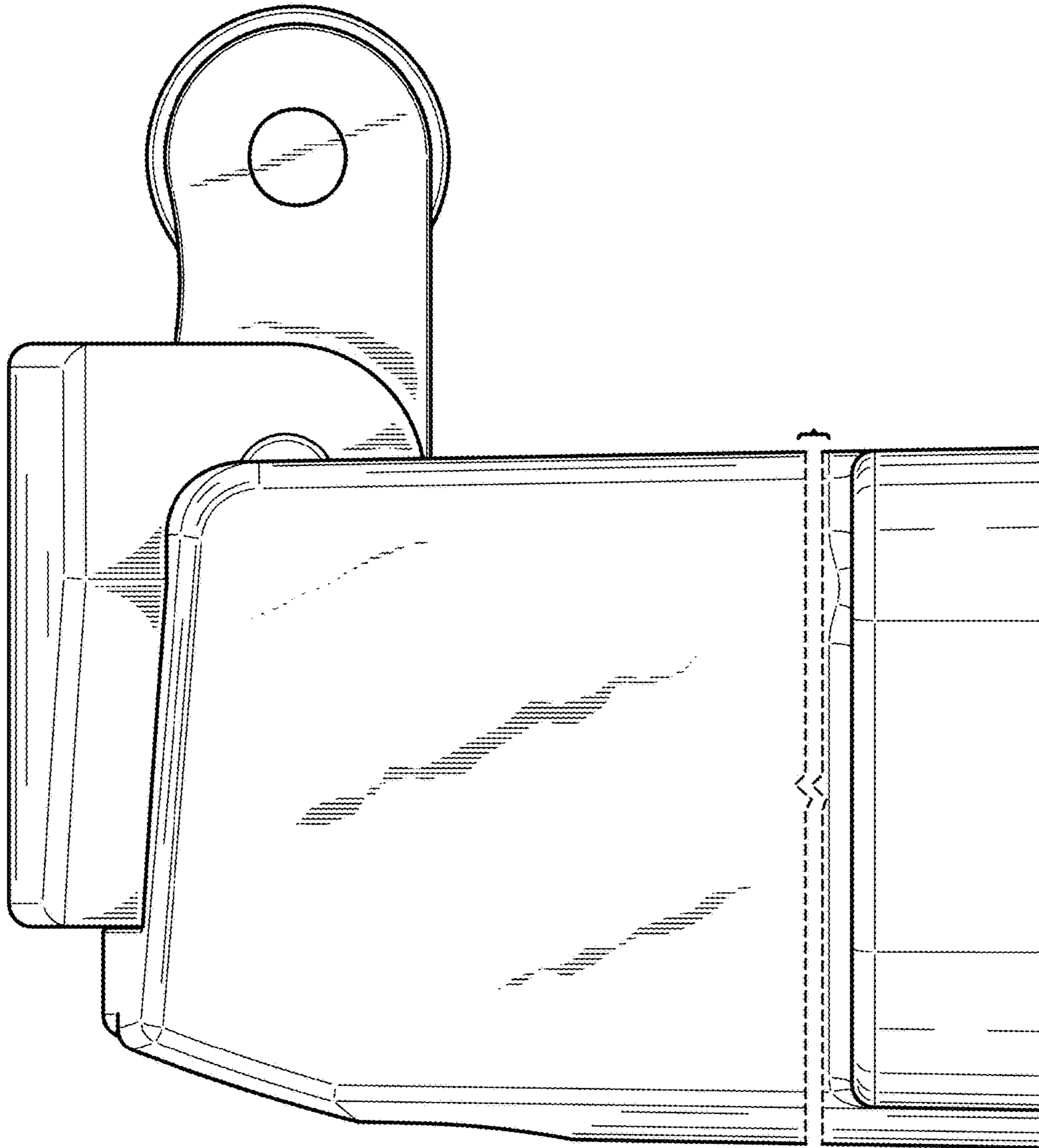


FIG. 7