



US00D891914S

(12) **United States Design Patent** (10) **Patent No.:** **US D891,914 S**
Shilling et al. (45) **Date of Patent:** **** Aug. 4, 2020**

(54) **ELECTRICAL WINDOW OPERATOR**

(71) Applicant: **JMAC, Inc.**, Columbus, OH (US)

(72) Inventors: **Craig Randall Shilling**, Dublin, OH (US); **Gregory Ronald Hudepohl**, Centerville, OH (US); **Matthew Michael Barrett**, Beavercreek, OH (US); **Paul David Bader**, Springfield, VA (US)

(73) Assignee: **JMAC, Inc.**, Columbus, OH (US)

(**) Term: **15 Years**

(21) Appl. No.: **29/569,164**

(22) Filed: **Jun. 24, 2016**

(51) **LOC (12) Cl.** **08-09**

(52) **U.S. Cl.**
USPC **D8/400**

(58) **Field of Classification Search**
USPC D8/330, 331, 338, 340, 341, 343, 346, D8/403, 400
CPC E05Y 2201/214; E05Y 2201/246; E05Y 2201/434
See application file for complete search history.

(56) **References Cited**

U.S. PATENT DOCUMENTS

5,813,171	A *	9/1998	Piltingsrud	E05F 15/63
					49/139
6,915,608	B2 *	7/2005	Labarre	E05F 15/63
					49/140
D594,732	S *	6/2009	Berstler	D8/331
D649,867	S *	12/2011	Vetter	D8/400
D680,014	S *	4/2013	Corso	D10/106.6
D747,228	S *	1/2016	Fiedler	D10/104.1
D772,051	S *	11/2016	Martin	D8/346
9,556,664	B2 *	1/2017	Hudepohl	E05F 1/002
D784,110	S *	4/2017	Watson	D8/322
D860,027	S *	9/2019	Siminoff	D10/106.6

(Continued)

Primary Examiner — Keli L Hill

Assistant Examiner — Harold E Blackwell, II

(74) *Attorney, Agent, or Firm* — Vorys, Sater, Seymour and Pease LLP

(57) **CLAIM**

The ornamental design for a electric window operator, as shown and described.

DESCRIPTION

FIG. 1 is a perspective view for an electric window operator assembled,

FIG. 2 is a another perspective view thereof,

FIG. 3 is a front elevational view thereof,

FIG. 4 is right side elevational view thereof,

FIG. 5 is a left side elevational view thereof,

FIG. 6 is a top plan view thereof,

FIG. 7 is a bottom plan view thereof,

FIG. 8 is a perspective view for an electric window operator assembled,

FIG. 9 is a another perspective view thereof,

FIG. 10 is a front elevational view thereof,

FIG. 11 is right side elevational view thereof,

FIG. 12 is a left side elevational view thereof,

FIG. 13 is a top plan view thereof,

FIG. 14 is a bottom plan view thereof,

FIG. 15 is a perspective view for an electric window operator assembled,

FIG. 16 is a another perspective view thereof,

FIG. 17 is a front elevational view thereof,

FIG. 18 is right side elevational view thereof,

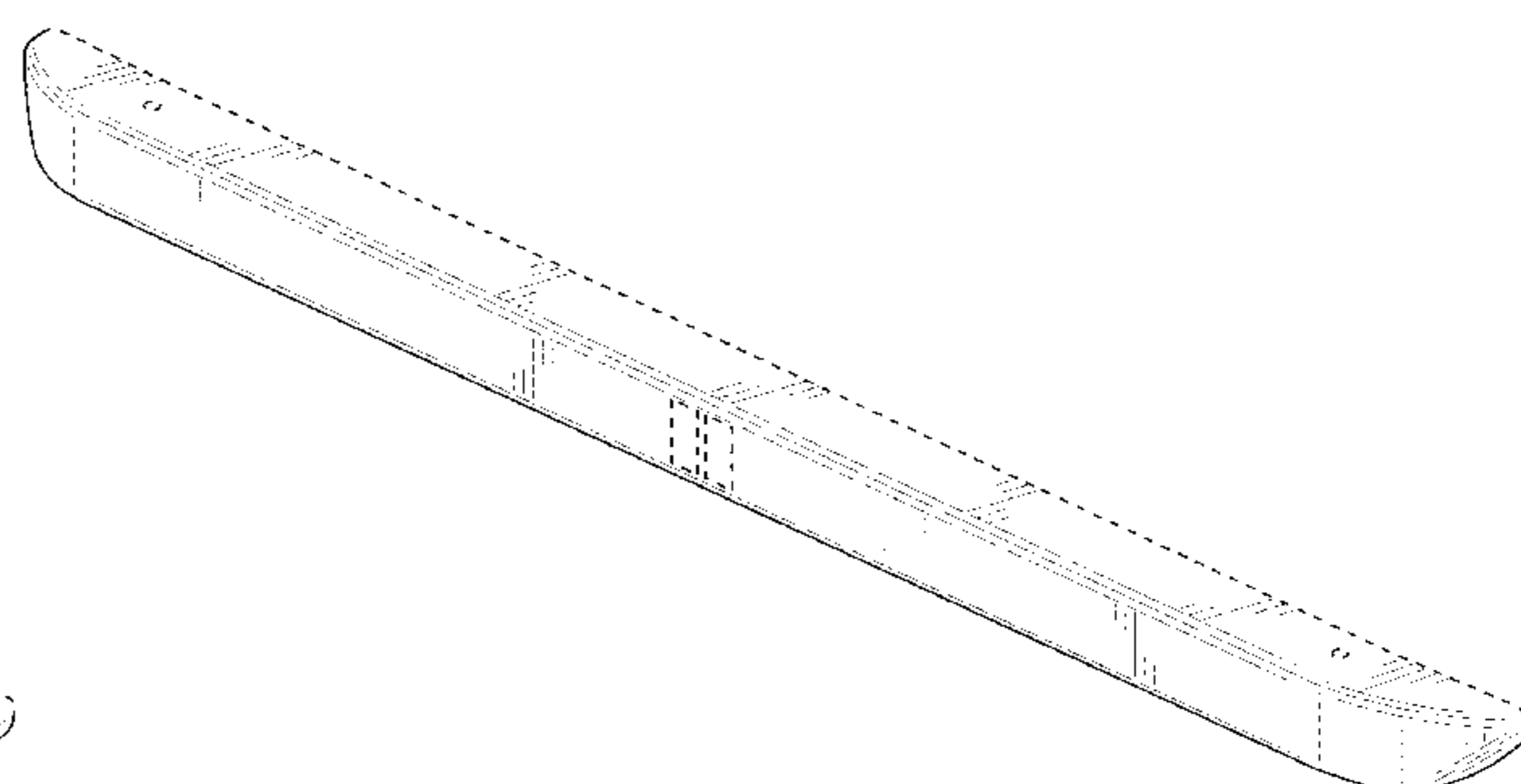
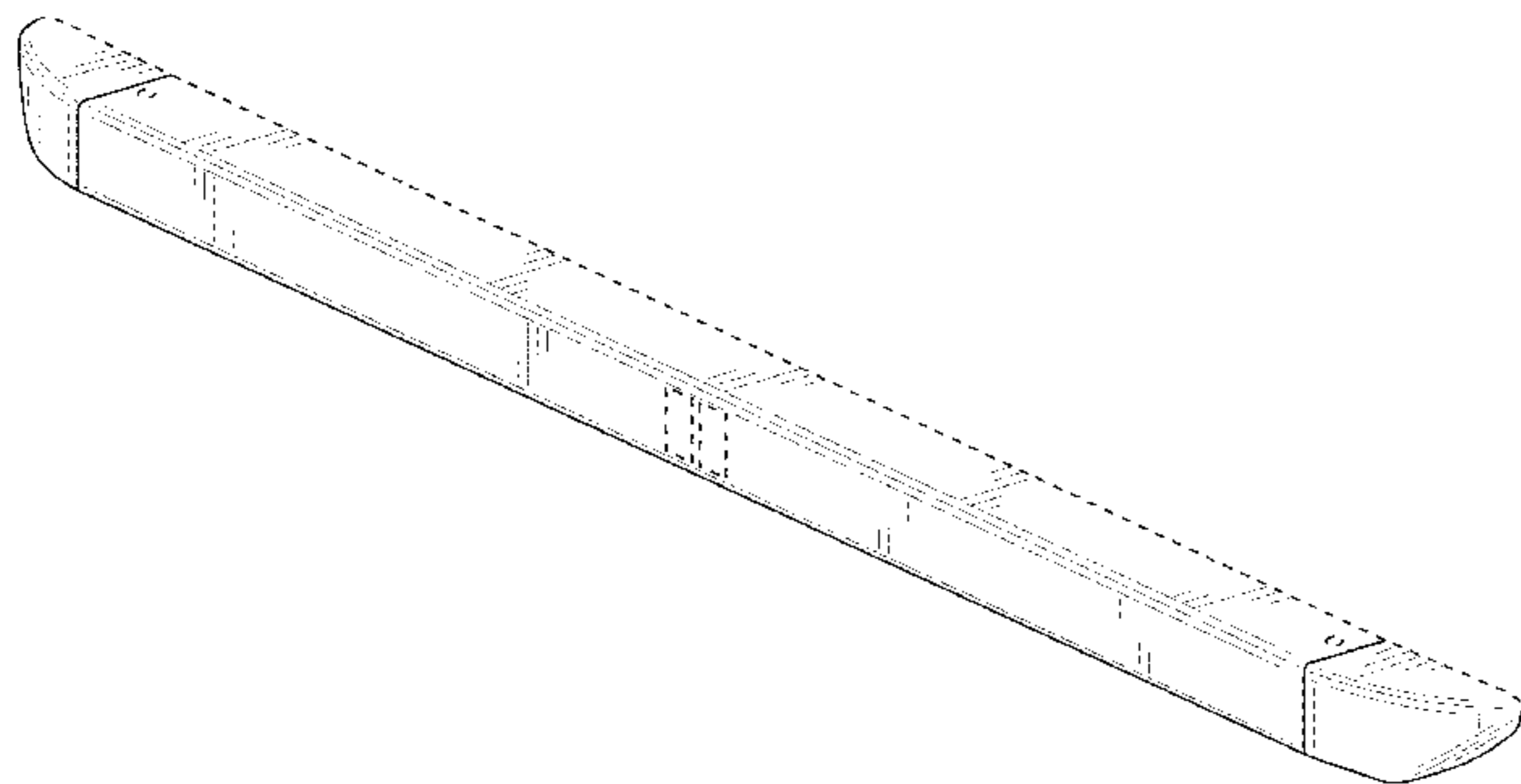
FIG. 19 is a left side elevational view thereof,

FIG. 20 is a top plan view thereof; and,

FIG. 21 is a bottom plan view thereof.

The broken lines in the drawings illustrate portions of an electrical window operator which form no part of the claimed design.

1 Claim, 15 Drawing Sheets



(56)

References Cited

U.S. PATENT DOCUMENTS

2016/0069119 A1* 3/2016 Hudepohl E05F 1/002
49/31

* cited by examiner

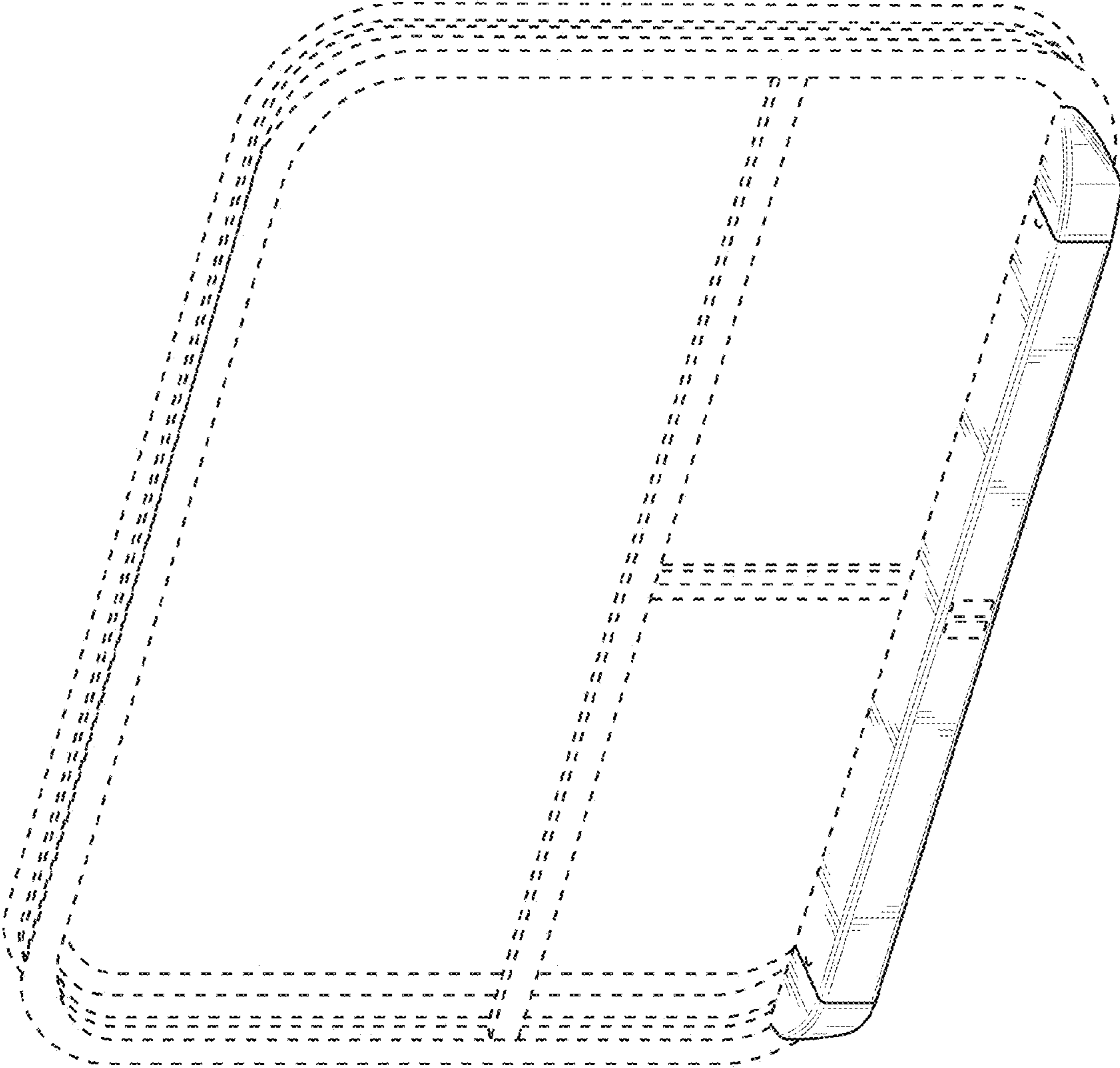


FIG. 1

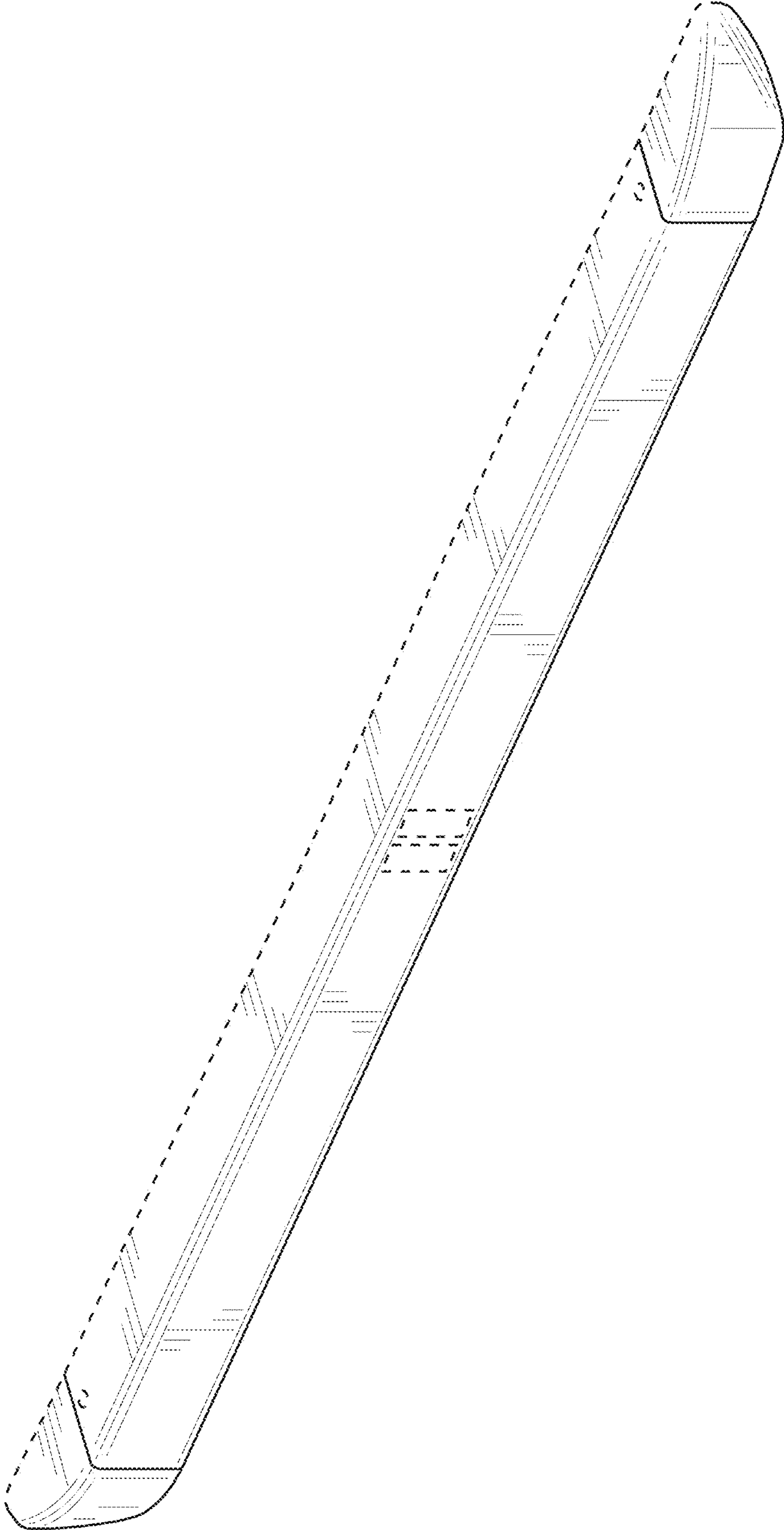


FIG. 2



FIG. 3



FIG. 5



FIG. 4

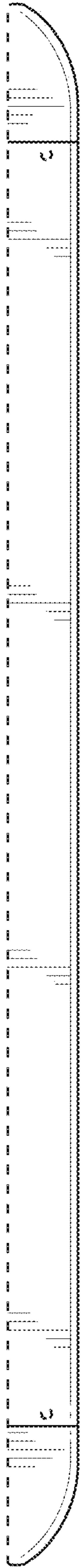


FIG. 6

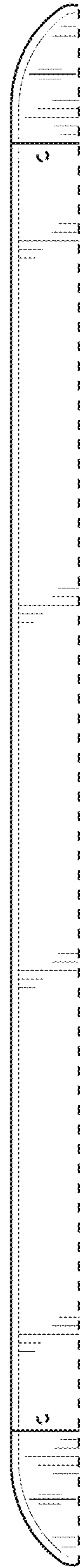


FIG. 7

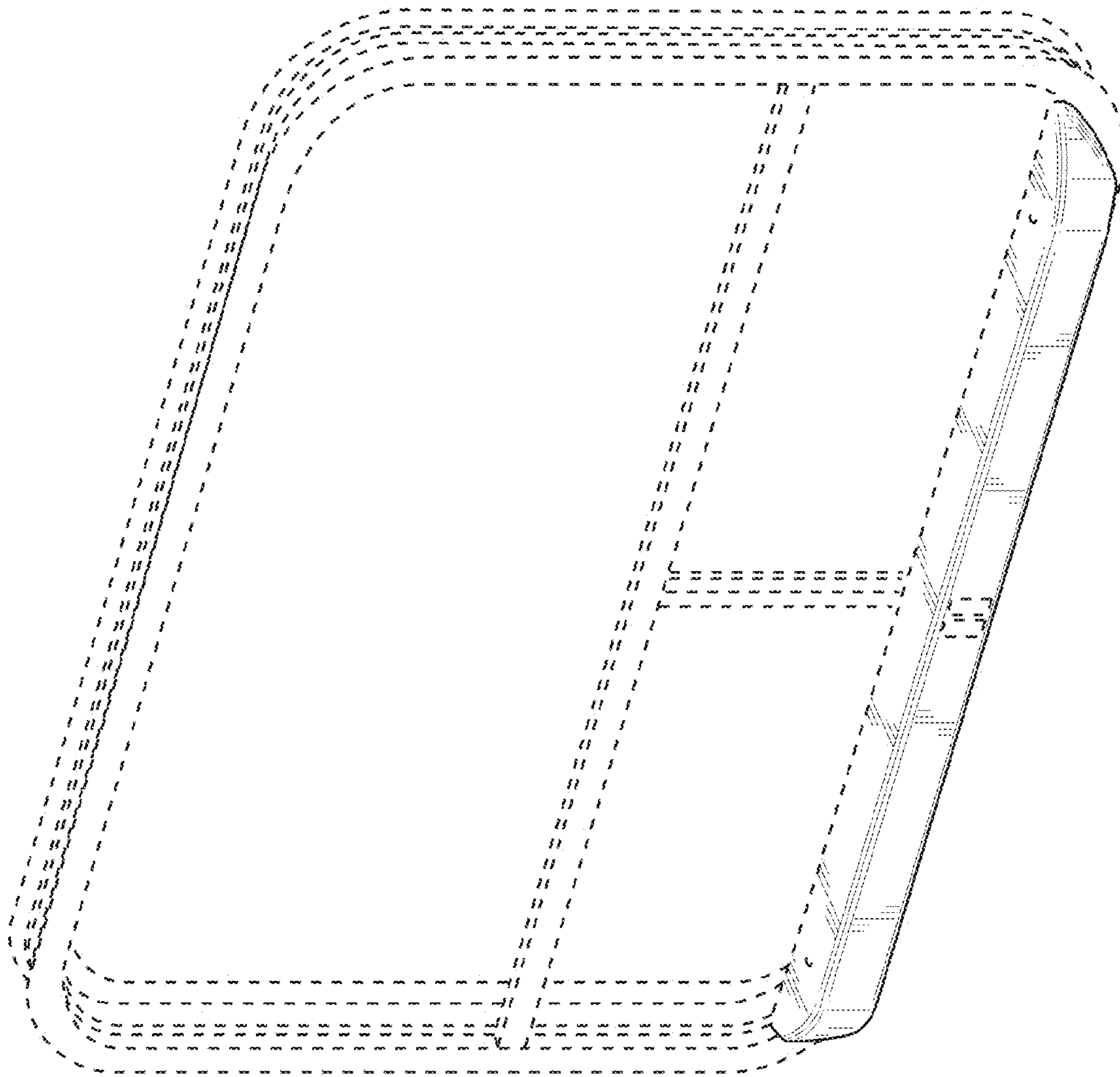


FIG. 8

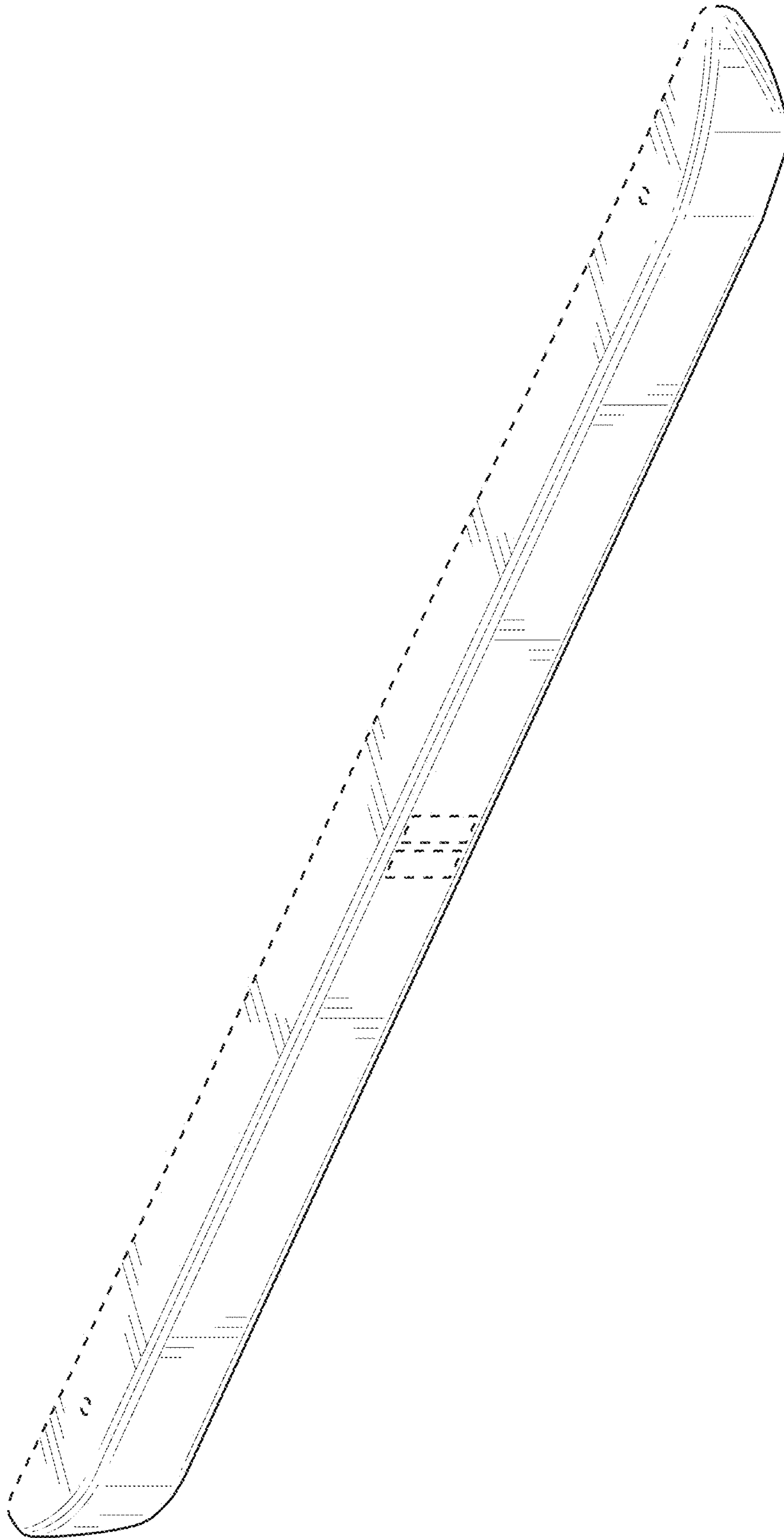


FIG. 9

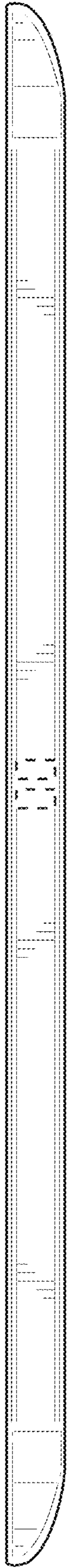


FIG. 10



FIG. 11

FIG. 12

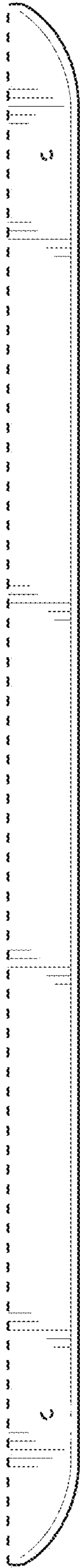


FIG. 13

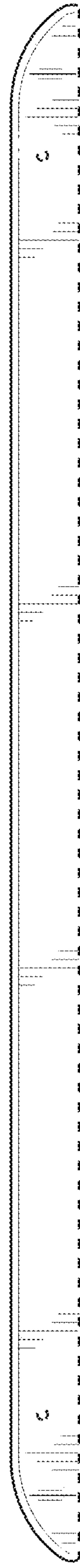


FIG. 14

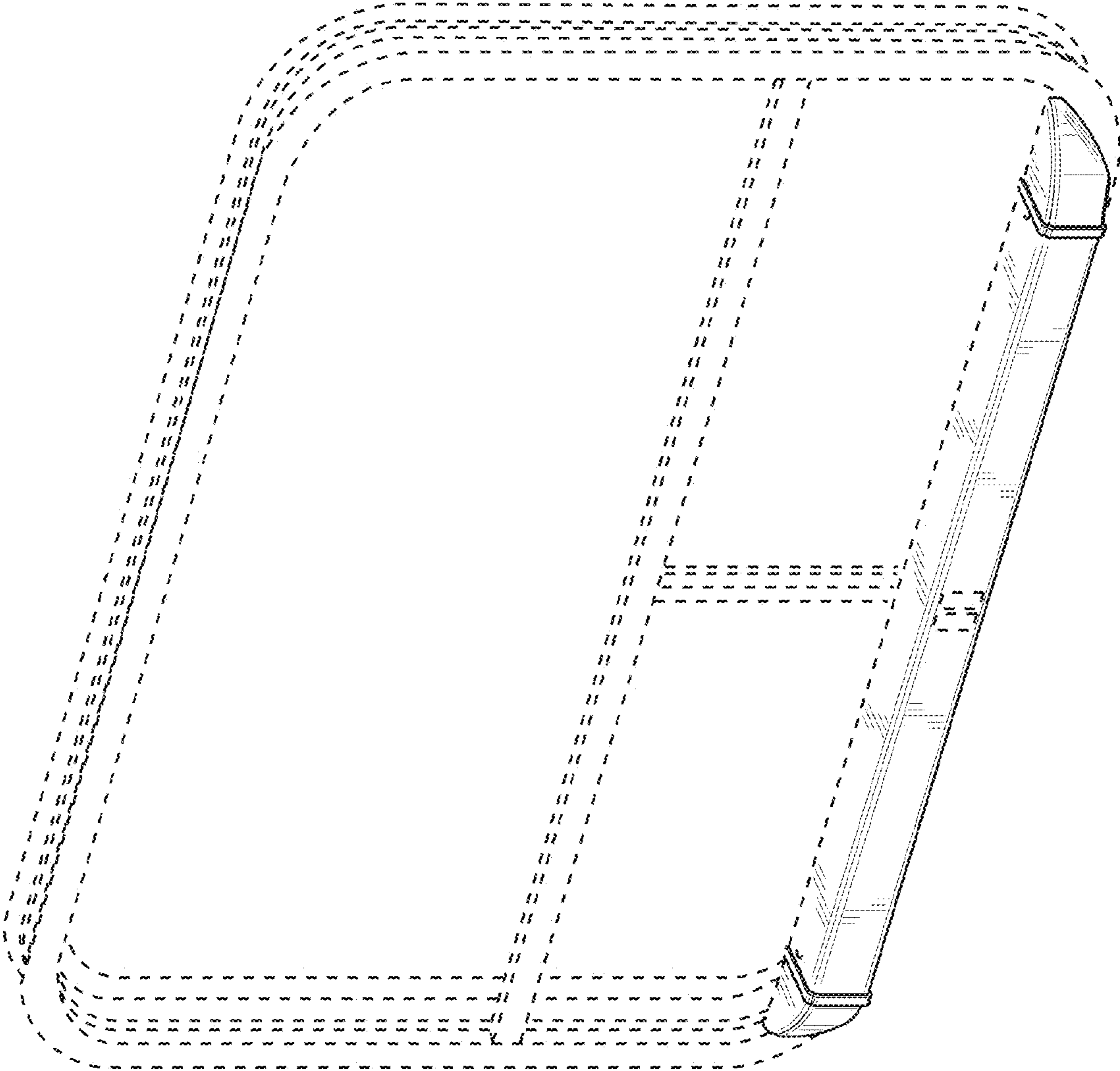


FIG. 15

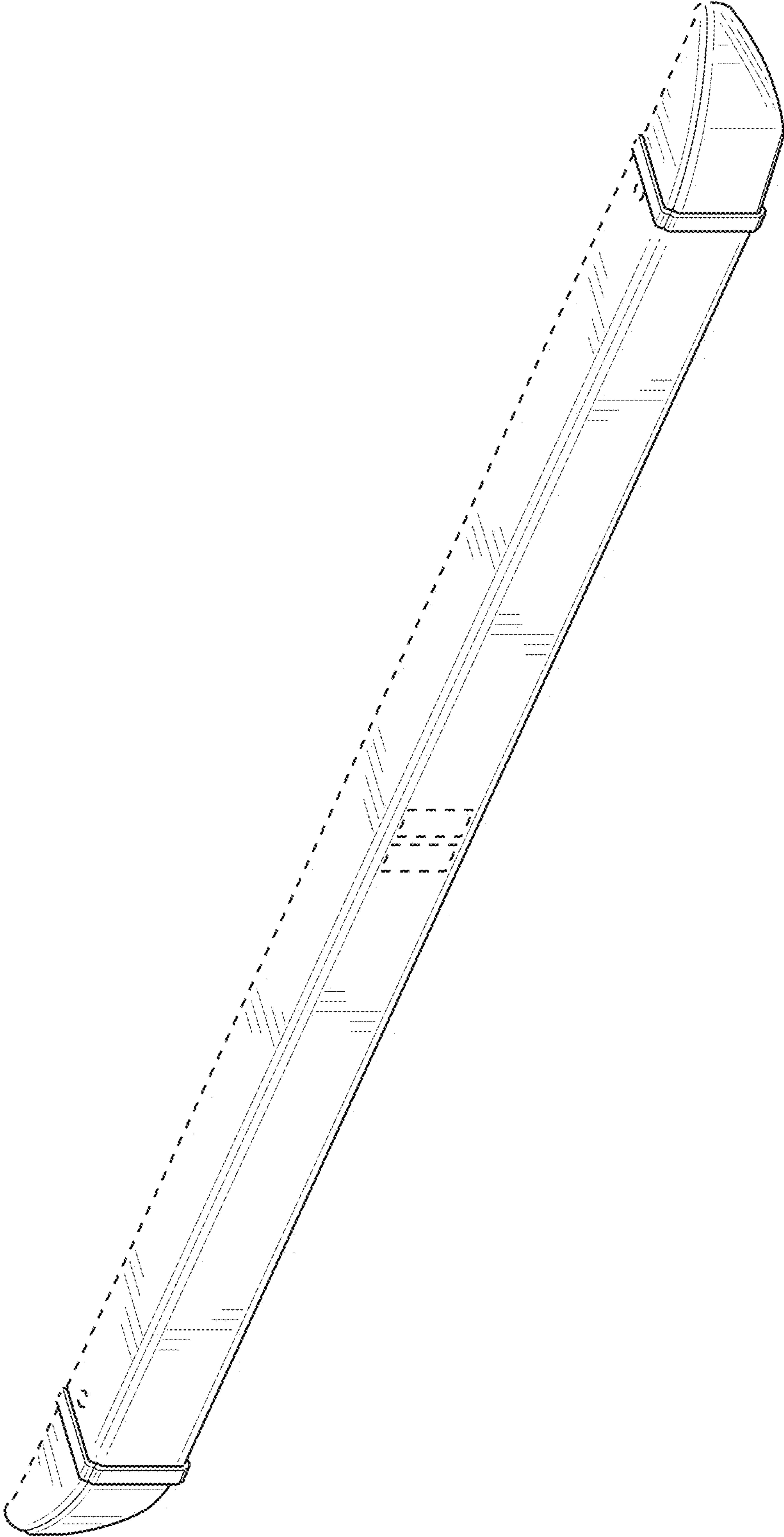


FIG. 16

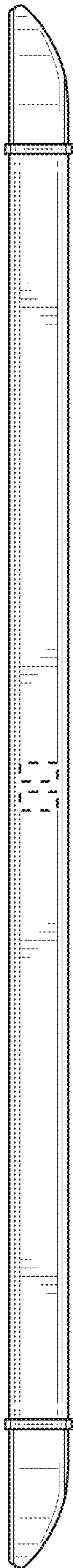


FIG. 17

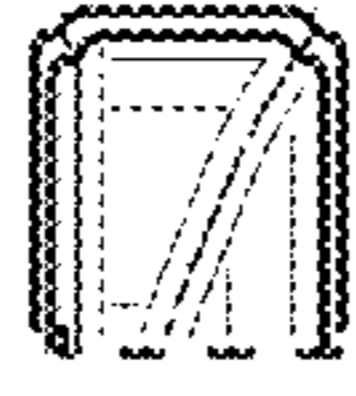


FIG. 18

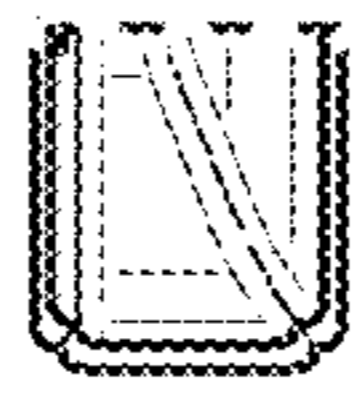


FIG. 19

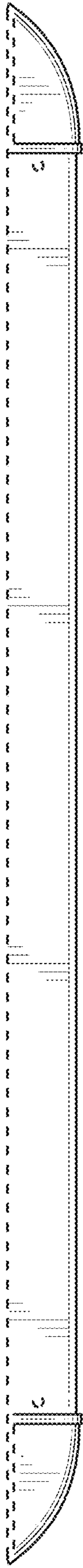


FIG. 20



FIG. 21