



US00D891913S

(12) **United States Design Patent**
Fischer

(10) **Patent No.:** **US D891,913 S**

(45) **Date of Patent:** **** Aug. 4, 2020**

- (54) **BRACKET COVER FLASHING**
- (71) Applicant: **Todd Fischer**, Redding, CA (US)
- (72) Inventor: **Todd Fischer**, Redding, CA (US)
- (**) Term: **15 Years**
- (21) Appl. No.: **29/725,392**
- (22) Filed: **Feb. 25, 2020**

8,713,858 B1 * 5/2014 Xie E04D 13/147
52/58
D845,749 S * 4/2019 Monsted D8/380
10,541,641 B2 * 1/2020 Tomolillo F24S 25/40
10,577,803 B2 * 3/2020 Pendley E04D 3/24
10,601,361 B2 * 3/2020 Tomolillo H02S 30/00
2006/0156648 A1 * 7/2006 Thompson H02S 20/23
52/173.3
2010/0088996 A1 * 4/2010 Thompson F24S 25/61
52/704
2018/0340336 A1 * 11/2018 Fischer E04D 13/147

* cited by examiner

Related U.S. Application Data

- (63) Continuation-in-part of application No. 15/811,266, filed on Nov. 13, 2017, now Pat. No. 10,676,934.
- (51) **LOC (12) Cl.** **08-05**
- (52) **U.S. Cl.**
USPC **D8/380**
- (58) **Field of Classification Search**
USPC D8/349, 354, 373, 380, 381, 382, 400;
D25/199, 138, 139, 133, 131
CPC E06B 1/66; E06B 1/68; E06B 1/70; E06B
7/14; Y10T 16/373; Y10T 16/376
See application file for complete search history.

Primary Examiner — Janice Hallmark

Assistant Examiner — Harold E Blackwell, II

(74) *Attorney, Agent, or Firm* — Shannon Warren

(57) **CLAIM**

The ornamental design for a bracket cover flashing, as shown.

DESCRIPTION

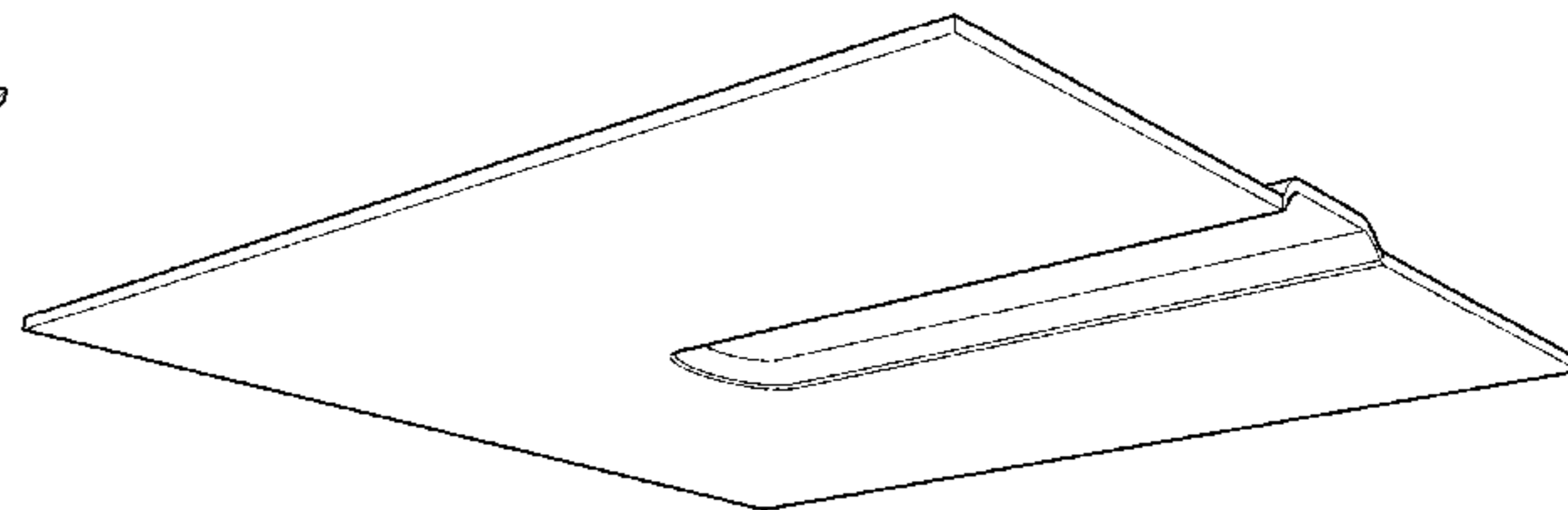
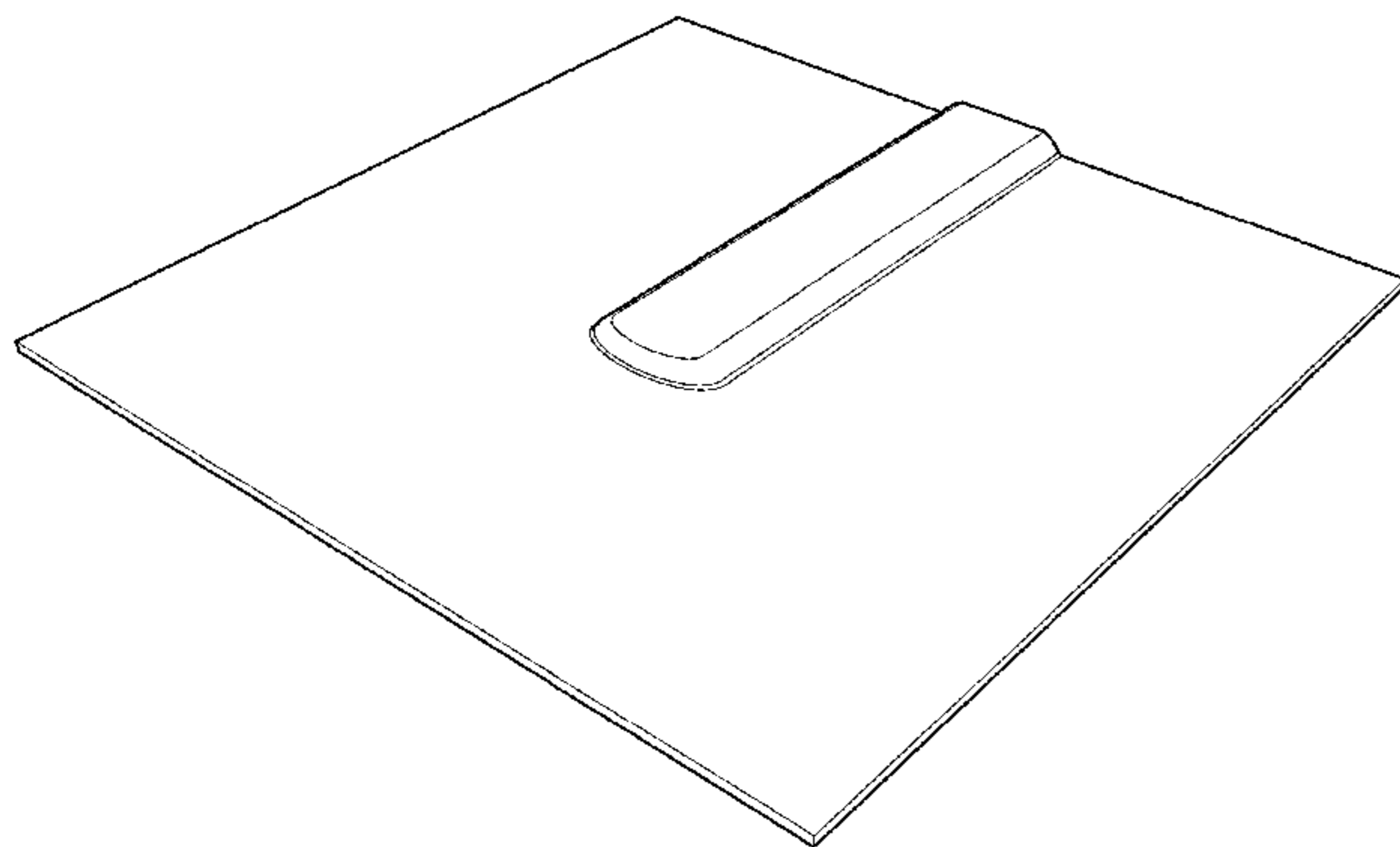
FIG. 1 is a top perspective view of a bracket cover flashing showing my new design;
 FIG. 2 is a bottom perspective view thereof;
 FIG. 3 is another bottom perspective view thereof;
 FIG. 4 is another top perspective view thereof;
 FIG. 5 is a top plan view thereof;
 FIG. 6 is a front elevation view thereof;
 FIG. 7 is a side elevation view thereof; and,
 FIG. 8 is another side elevation view thereof.

(56) **References Cited**

U.S. PATENT DOCUMENTS

- 4,845,807 A * 7/1989 Rooney E05D 15/0652
16/94 R
- D448,095 S * 9/2001 Merideth D25/199
- D627,213 S * 11/2010 Hikoyama D8/380

1 Claim, 8 Drawing Sheets



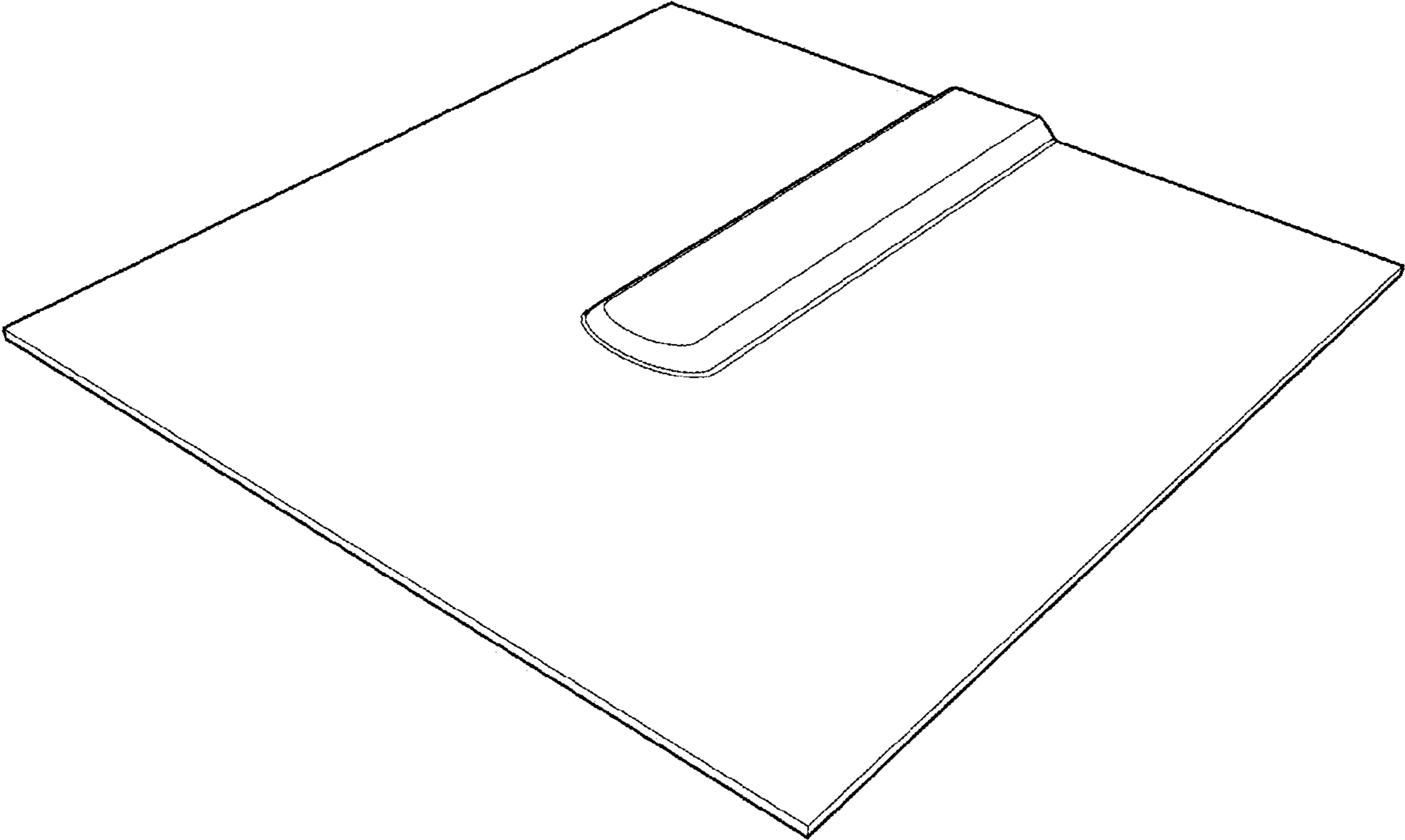


FIG. 1

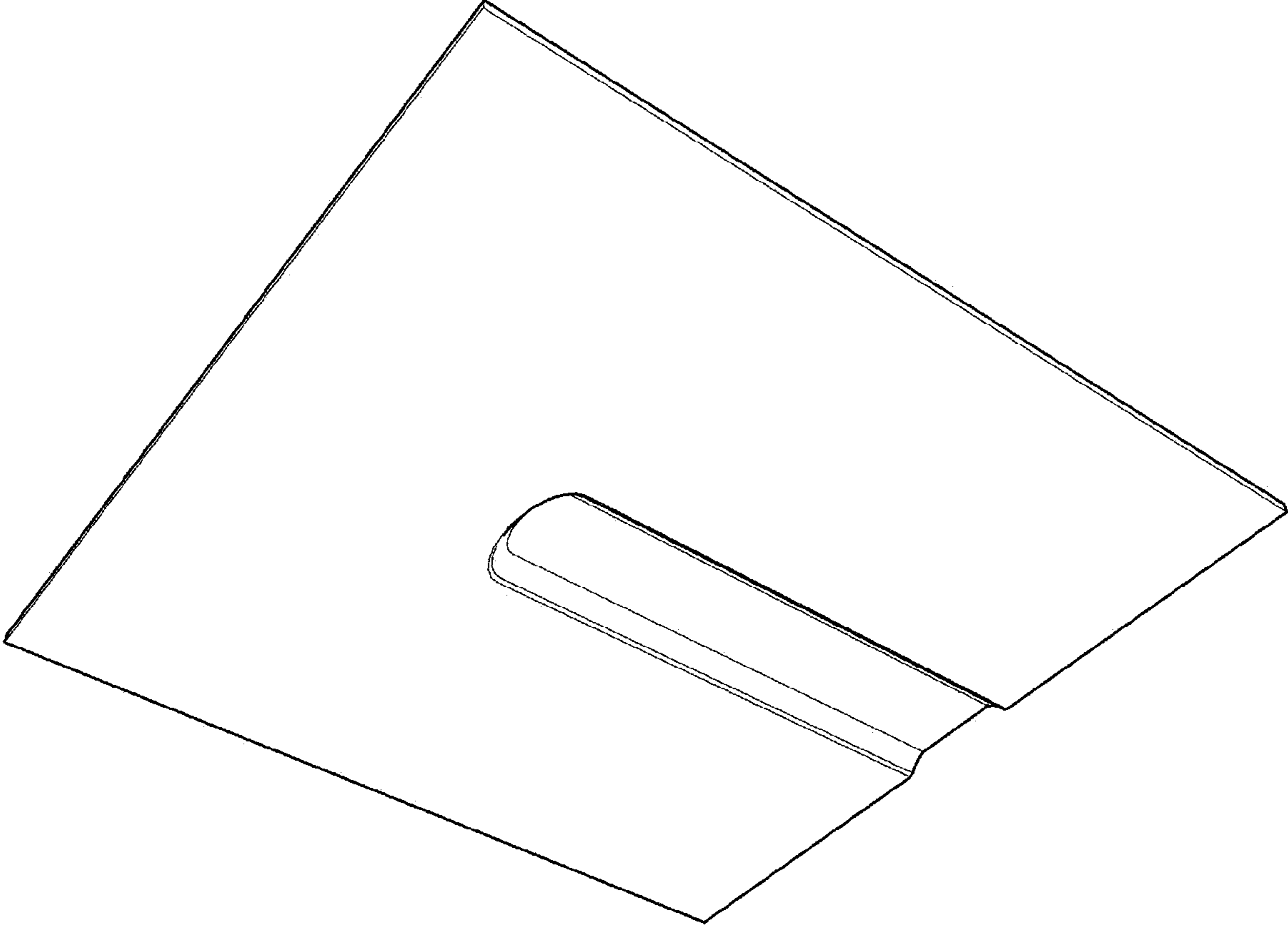


FIG. 2

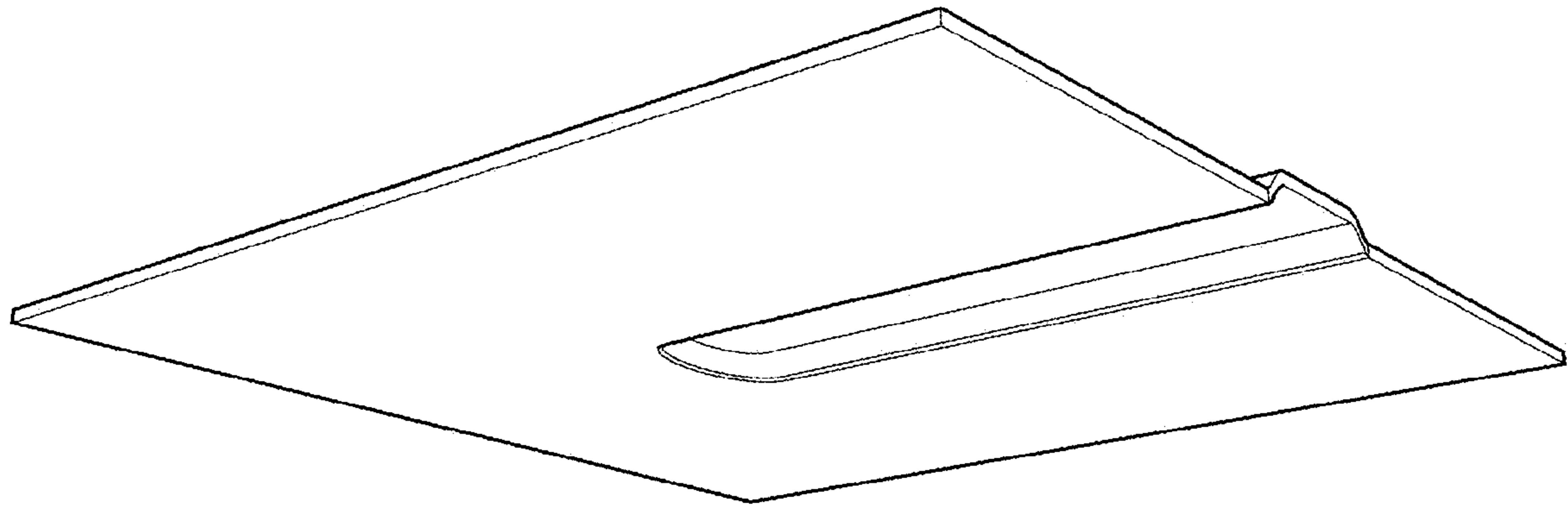


FIG. 3

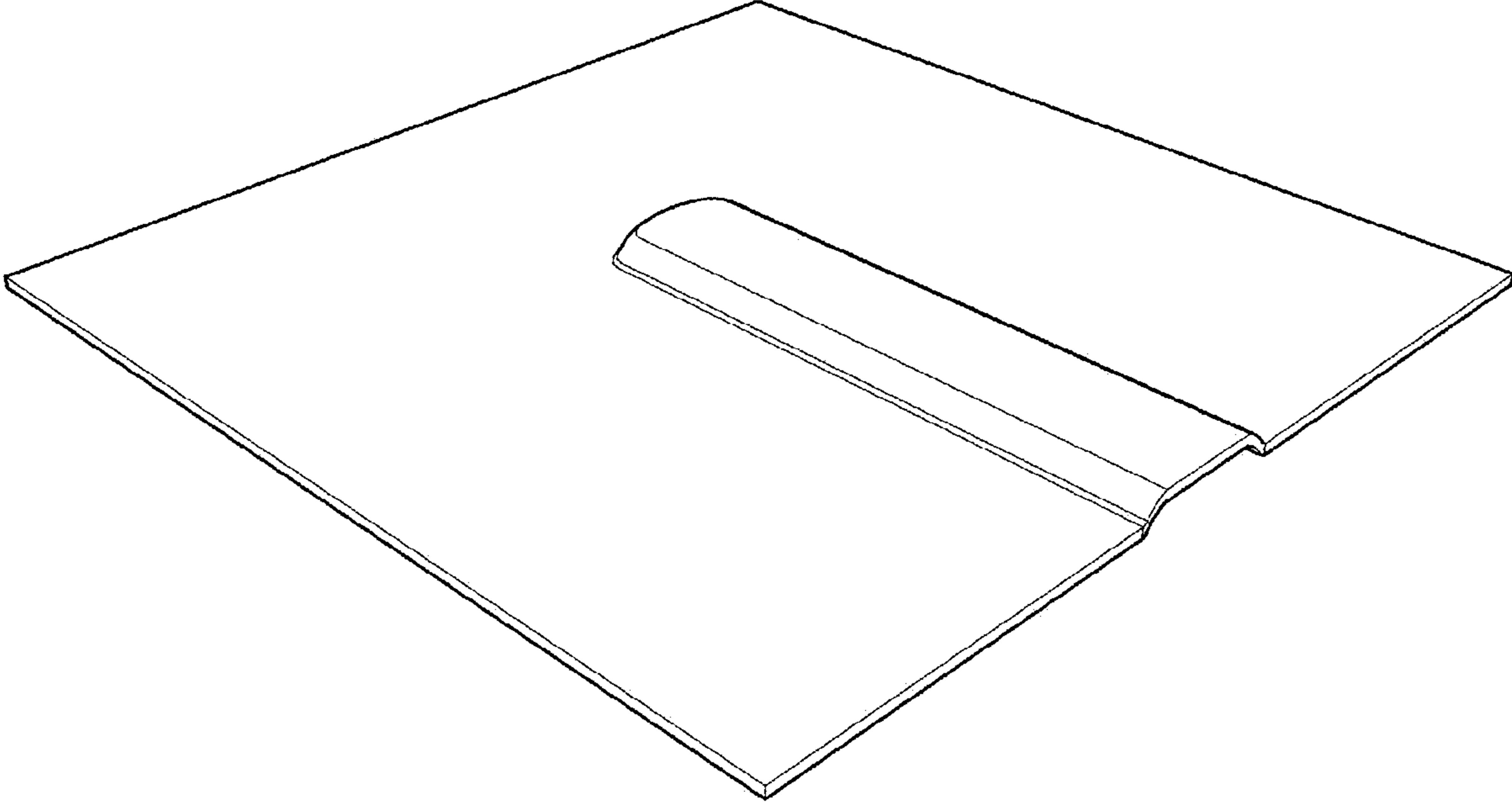


FIG. 4

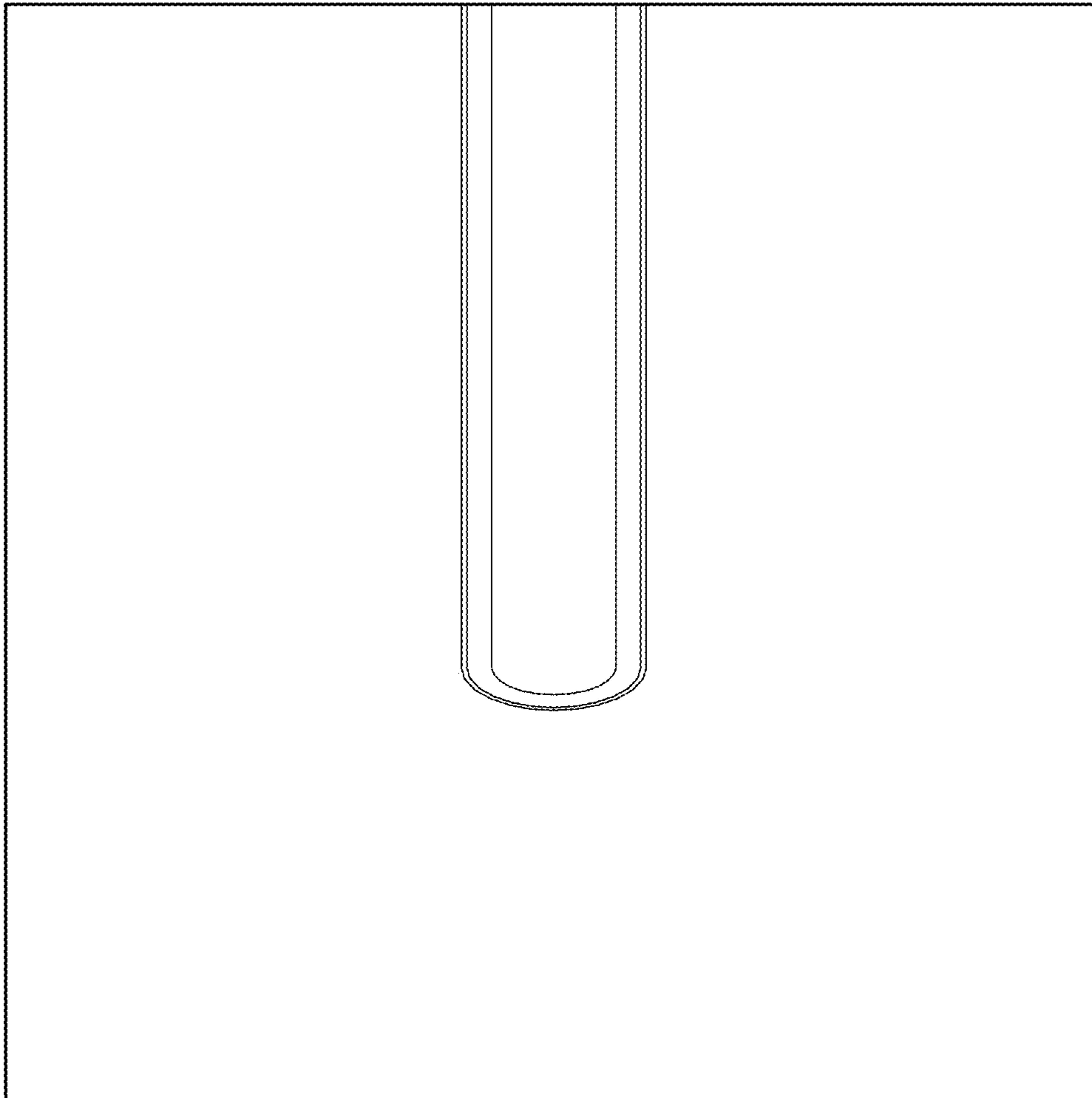


FIG. 5

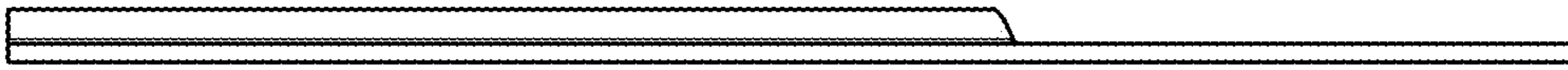


FIG. 6

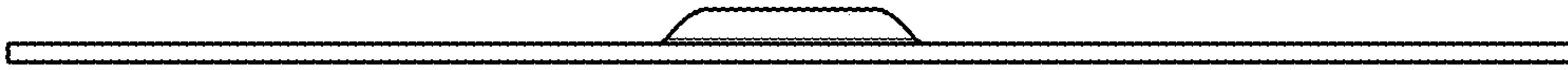


FIG. 7

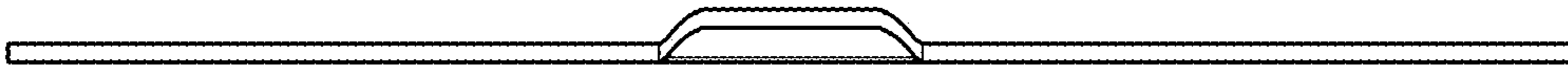


FIG. 8