



US00D891912S

(12) **United States Design Patent** (10) **Patent No.:** **US D891,912 S**  
**Underwood** (45) **Date of Patent:** **\*\* Aug. 4, 2020**

(54) **BRACKET**

D520,349 S \* 5/2006 Boroviak ..... D8/381  
D530,596 S \* 10/2006 Aldeghi ..... D8/381  
D548,066 S \* 8/2007 Welch ..... D8/381

(71) Applicant: **Randy Carroll Underwood**, Malvern, AR (US)

(Continued)

(72) Inventor: **Randy Carroll Underwood**, Malvern, AR (US)

*Primary Examiner* — Keli L Hill

*Assistant Examiner* — Harold E Blackwell, II

(74) *Attorney, Agent, or Firm* — Joe D. Calhoun

(\*\*) Term: **15 Years**

(57) **CLAIM**

I claim the ornamental design of a bracket, as shown and described.

(21) Appl. No.: **29/624,620**

**DESCRIPTION**

(22) Filed: **Nov. 2, 2017**

(51) **LOC (12) Cl.** ..... **08-05**

(52) **U.S. Cl.**  
USPC ..... **D8/380**

(58) **Field of Classification Search**  
USPC ..... D8/380, 381, 400, 402  
CPC ..... A47B 57/42; A47B 57/52; A47B 57/56;  
A47G 25/0692

See application file for complete search history.

FIG. 1 is a perspective view of a bracket positioned around an unclaimed representative sample of a vertical post.

FIG. 2 is a top plan view of a representative sample of the bracket of FIG. 1, with the vertical support and indeterminate-length breaks removed.

FIG. 3 is a bottom plan view of the bracket of FIG. 2.

FIG. 4 is a front elevation view of the bracket of FIG. 2.

FIG. 5 is a rear elevation view of the bracket of FIG. 2.

FIG. 6 is a left side elevation view of the bracket of FIG. 2; the right side elevation view is a mirror image thereof.

FIG. 7 is a perspective view of another bracket positioned around an unclaimed representative sample of a vertical post.

FIG. 8 is a top plan view of a representative sample of the bracket of FIG. 7, with the vertical support and indeterminate-length breaks removed.

FIG. 9 is a bottom plan view of the bracket of FIG. 7.

FIG. 10 is a front elevation view of the bracket of FIG. 7.

FIG. 11 is a rear elevation view of the bracket of FIG. 7; and,

FIG. 12 is a left side elevation view of the bracket of FIG. 7; the right side elevation view is a mirror image thereof.

The broken lines in the drawings illustrate portions of the bracket which form no part of the claimed design.

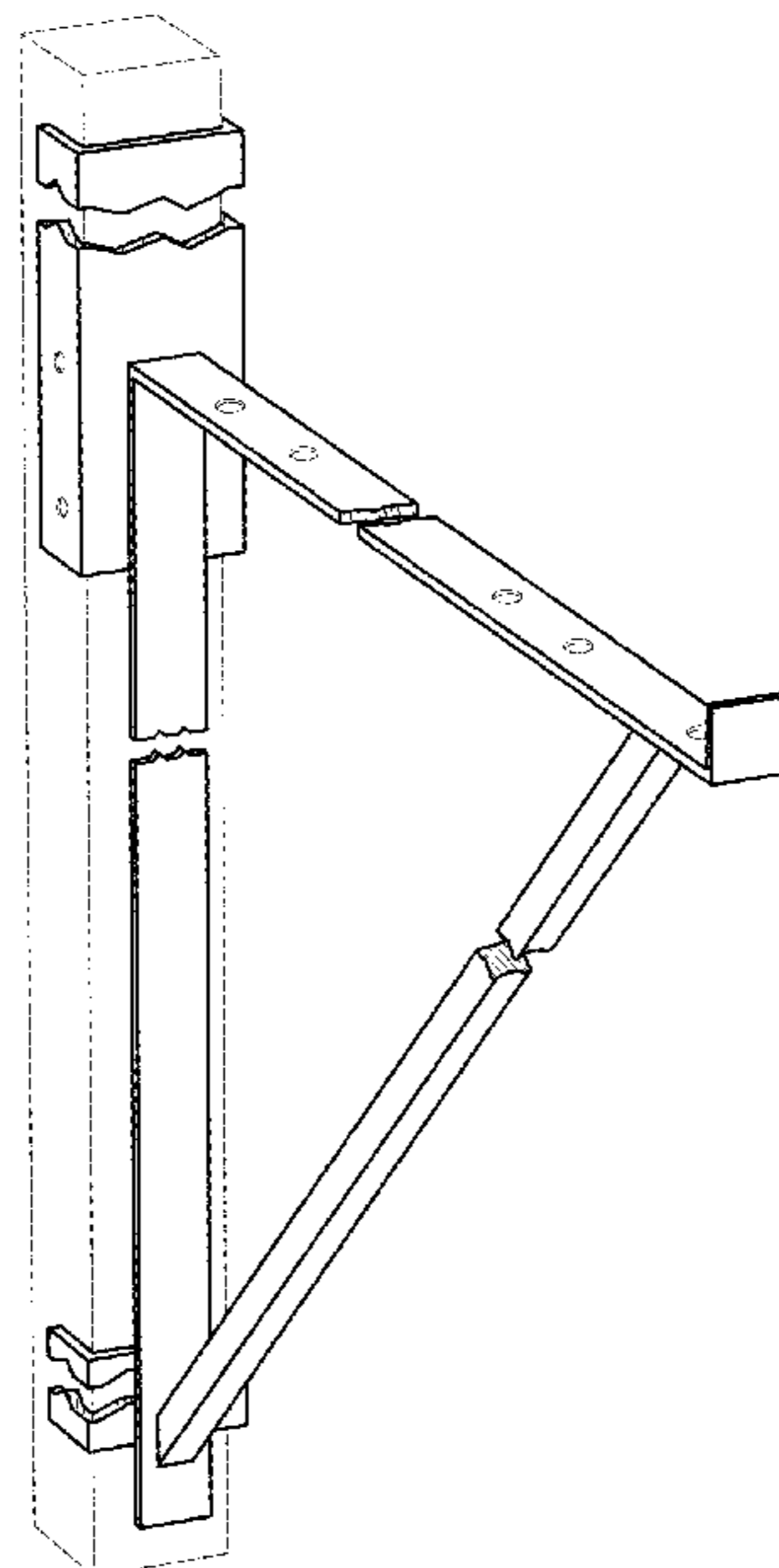
In FIGS. 1 and 7, the bracket is shown with a symbolic break in its length. The appearance of any portion of the article between the break lines forms no part of the claimed design.

(56) **References Cited**

U.S. PATENT DOCUMENTS

1,189,988	A *	7/1916	Moody	.....	A47B 96/061
					248/247
2,429,586	A *	10/1947	Rompre	.....	A47B 96/061
					248/248
2,483,758	A *	10/1949	Douglas	.....	A47B 96/07
					248/242
D251,357	S *	3/1979	Chasen	.....	D8/363
D251,944	S *	5/1979	Chasen	.....	D6/556
D285,410	S *	9/1986	Webber	.....	D6/514
D358,983	S *	6/1995	Friend	.....	D8/380
D369,293	S *	4/1996	Gusdorf	.....	D8/381
D400,781	S *	11/1998	Wilkening	.....	D8/381
6,053,465	A *	4/2000	Kluge	.....	A47B 61/003
					248/201

**1 Claim, 8 Drawing Sheets**



(56)

**References Cited**

U.S. PATENT DOCUMENTS

D605,931 S	*	12/2009	Piersant	.....	D8/381
D763,009 S	*	8/2016	Murphy	.....	F16M 13/02
					D6/556
D811,205 S	*	2/2018	Hanley	.....	D8/380
D813,022 S	*	3/2018	Hanley	.....	A47H 1/142
					D8/380
D831,473 S	*	10/2018	Ercole Auffray	.....	D8/381
D851,482 S	*	6/2019	Ferman	.....	D8/381

\* cited by examiner

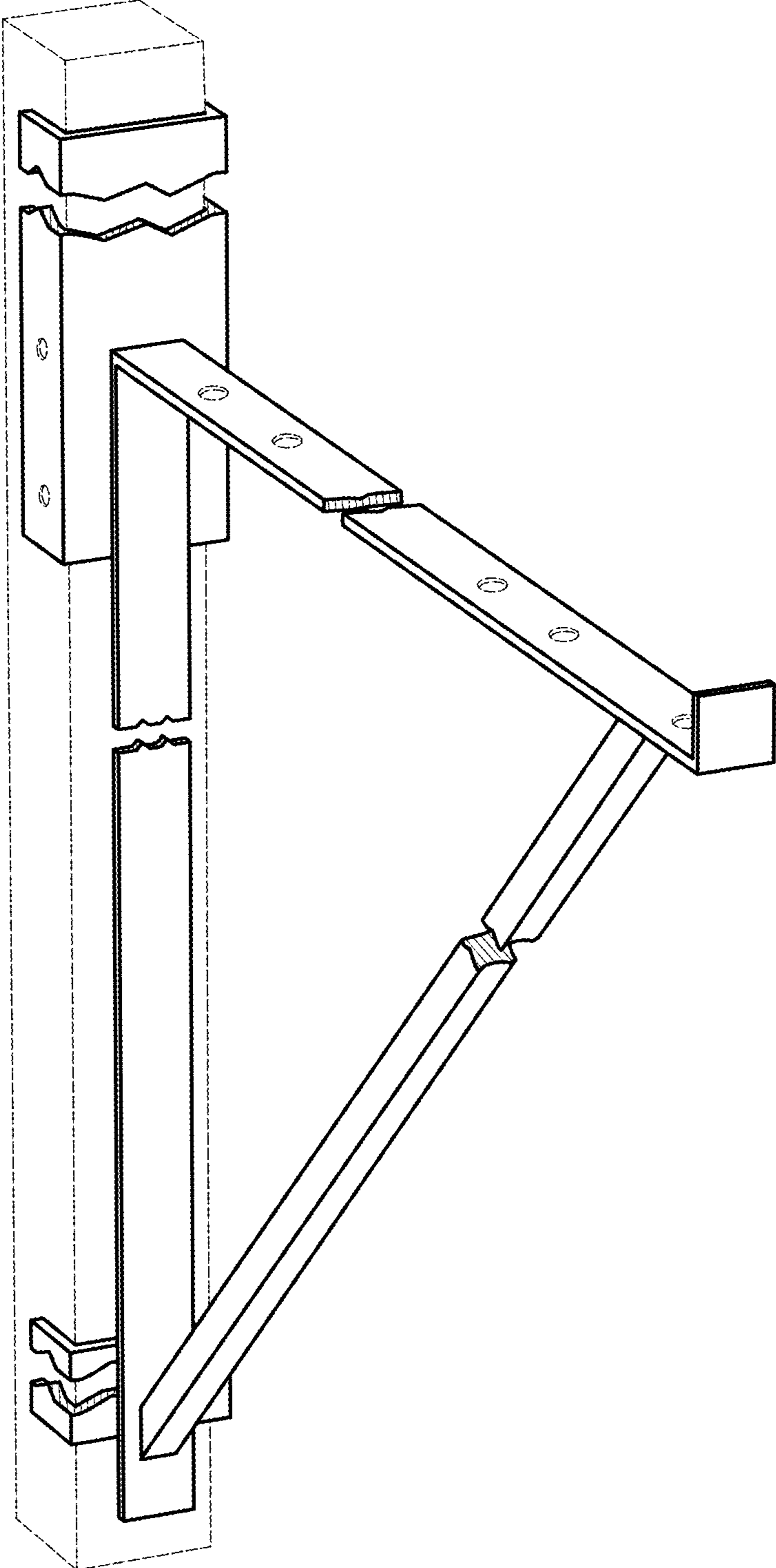


FIG. 1

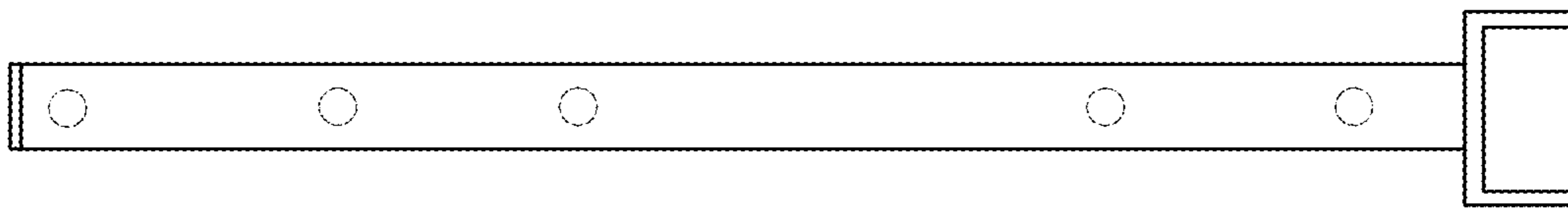


FIG. 2

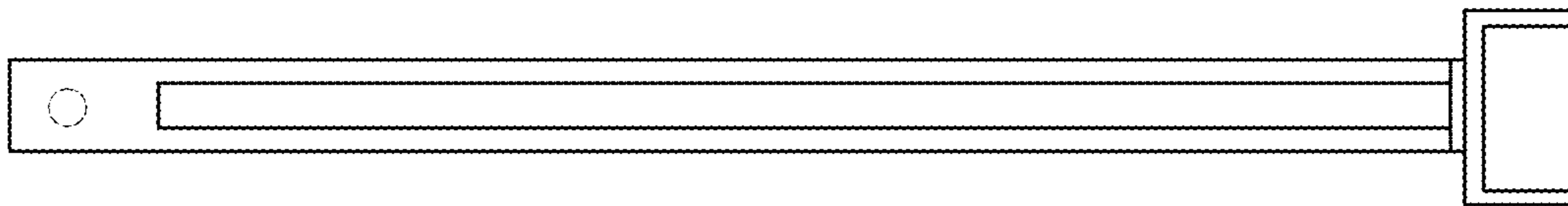


FIG. 3

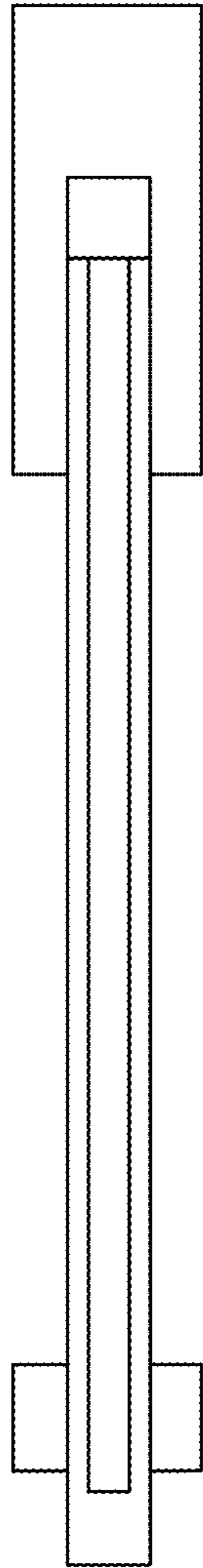


FIG. 4

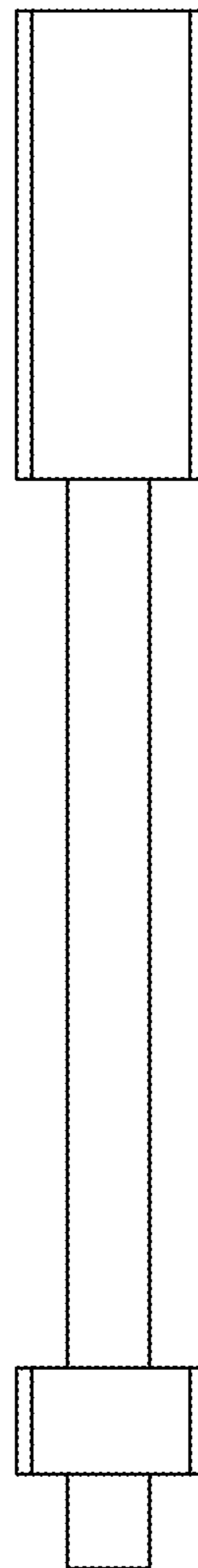


FIG. 5

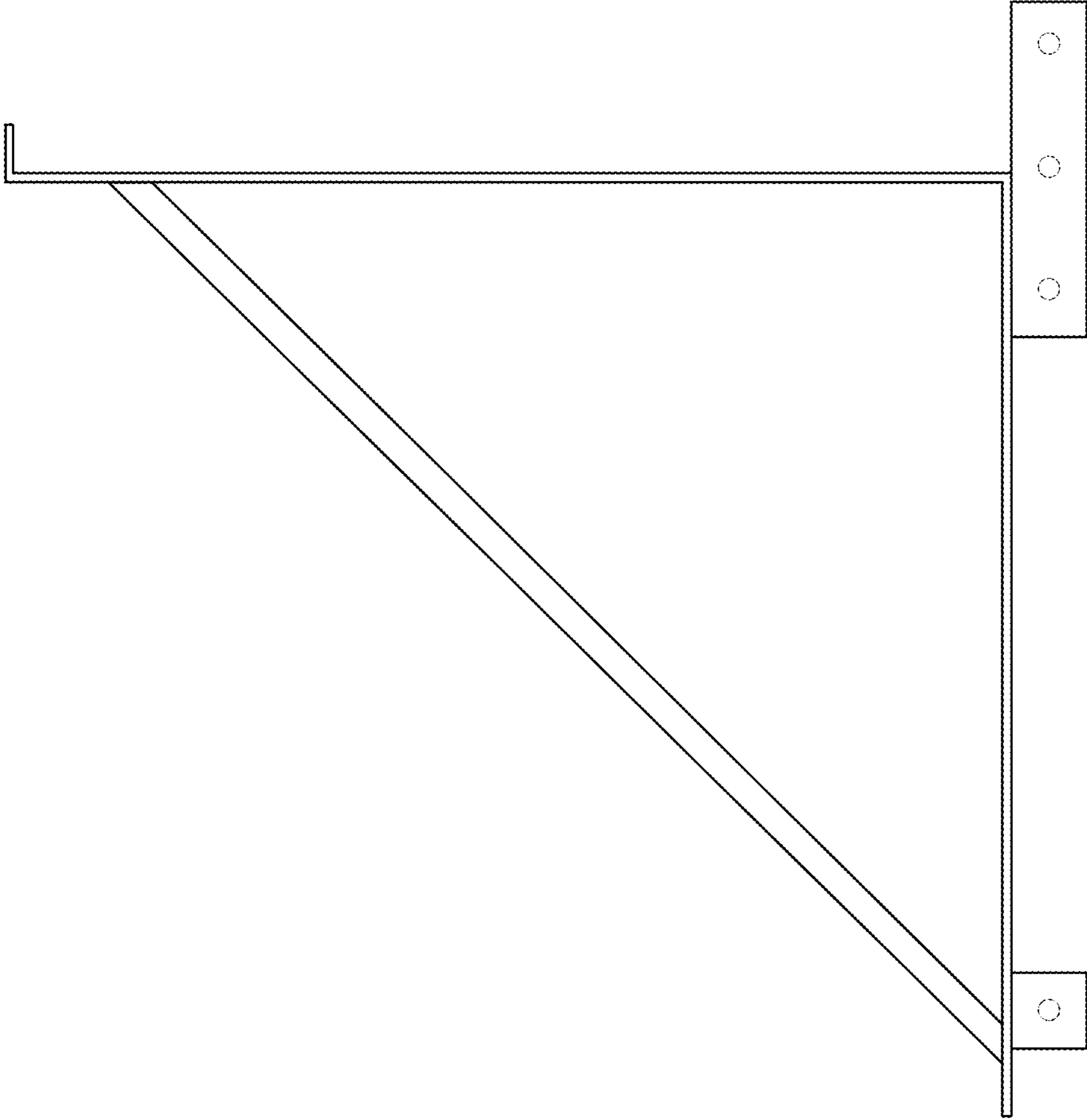


FIG. 6

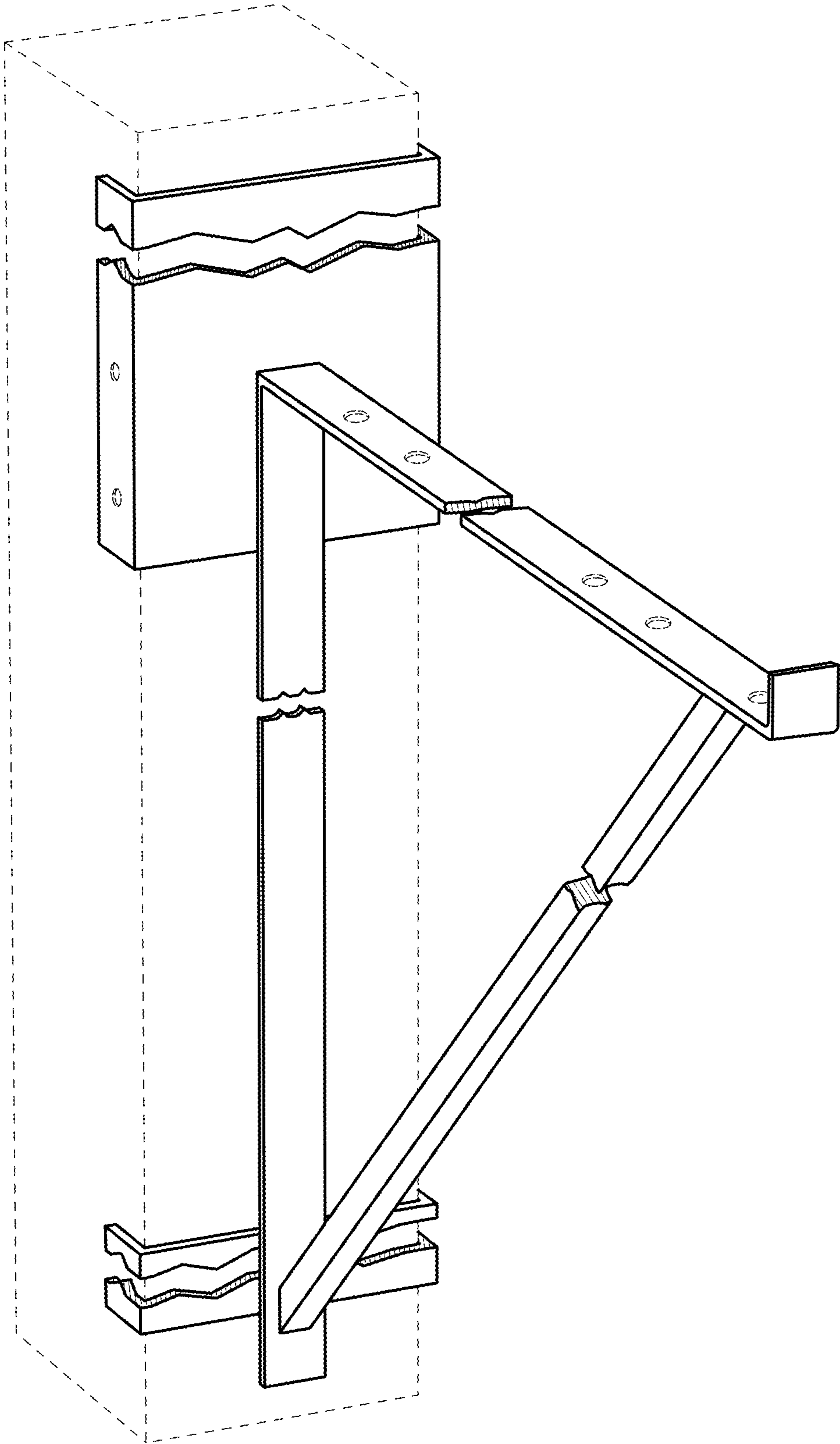


FIG. 7

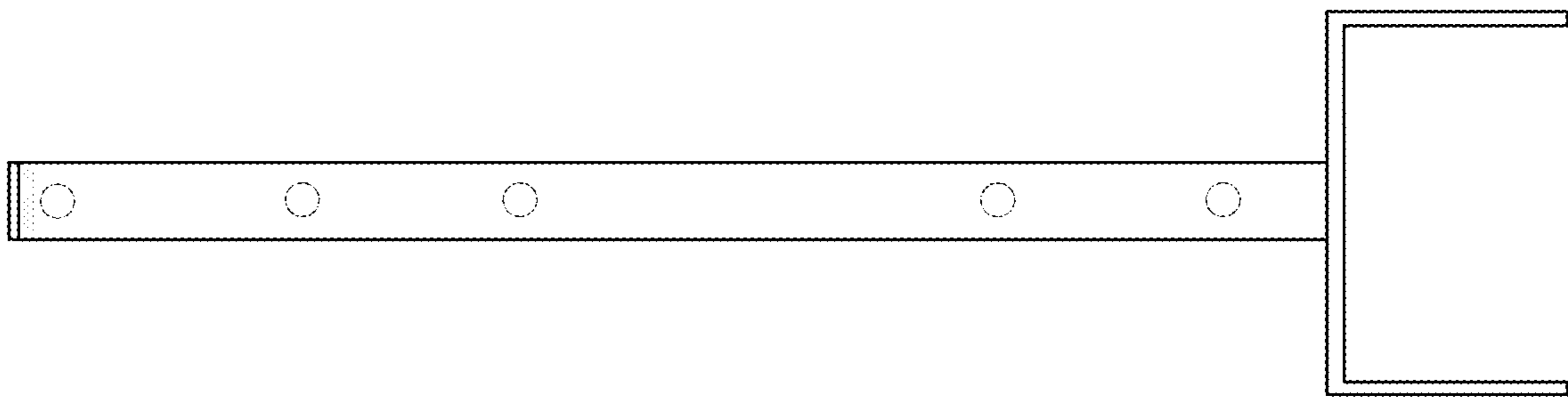


FIG. 8

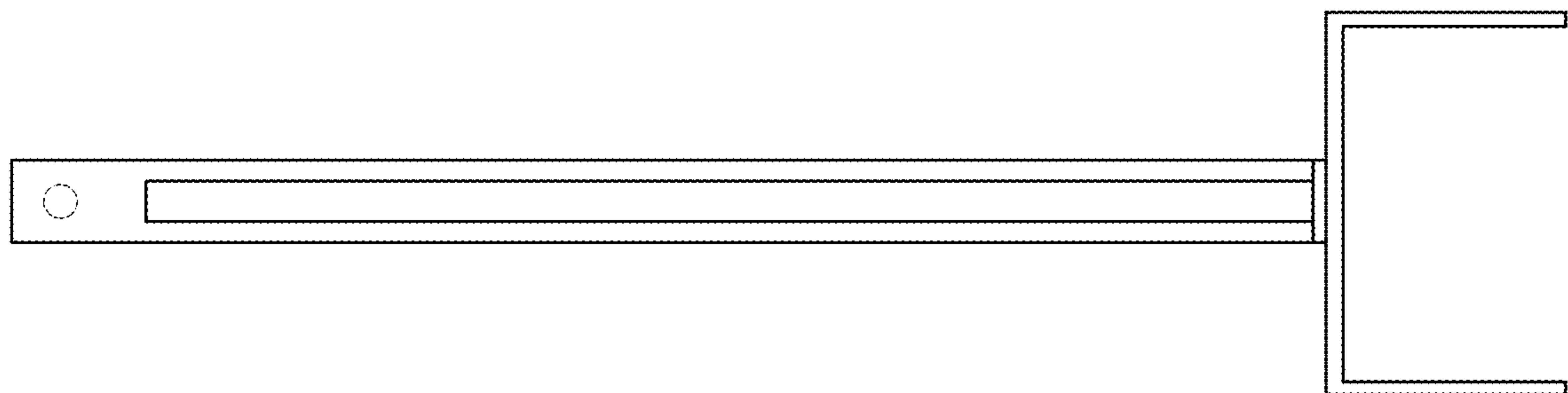


FIG. 9



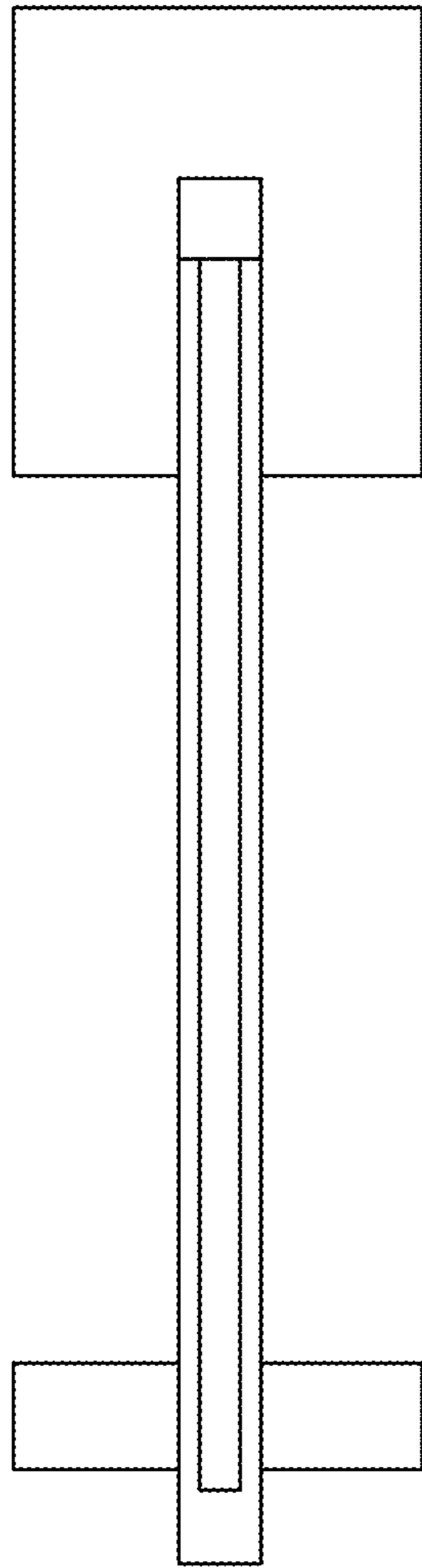


FIG. 10

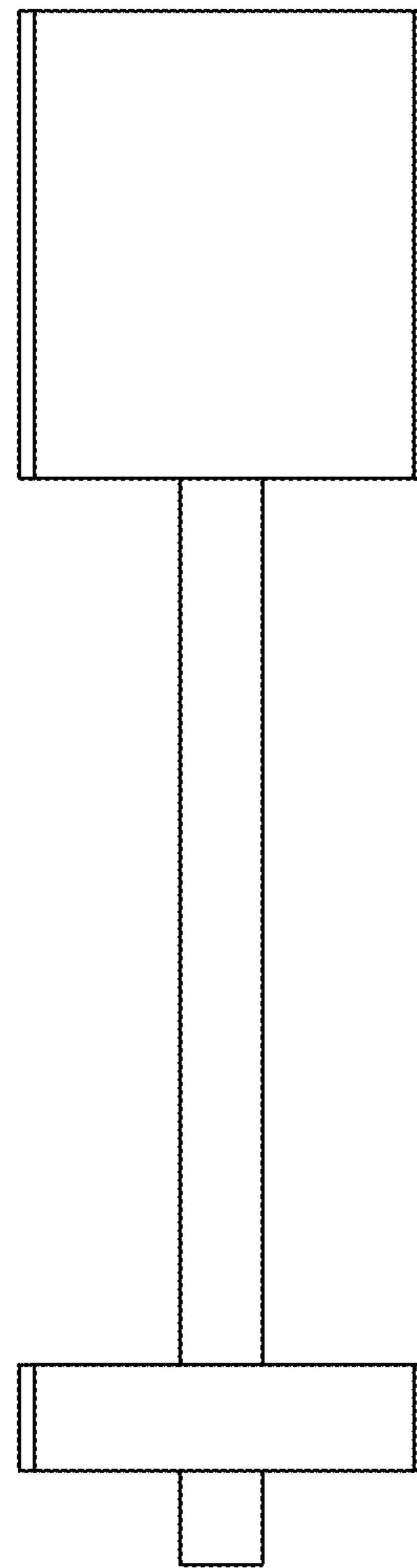


FIG. 11

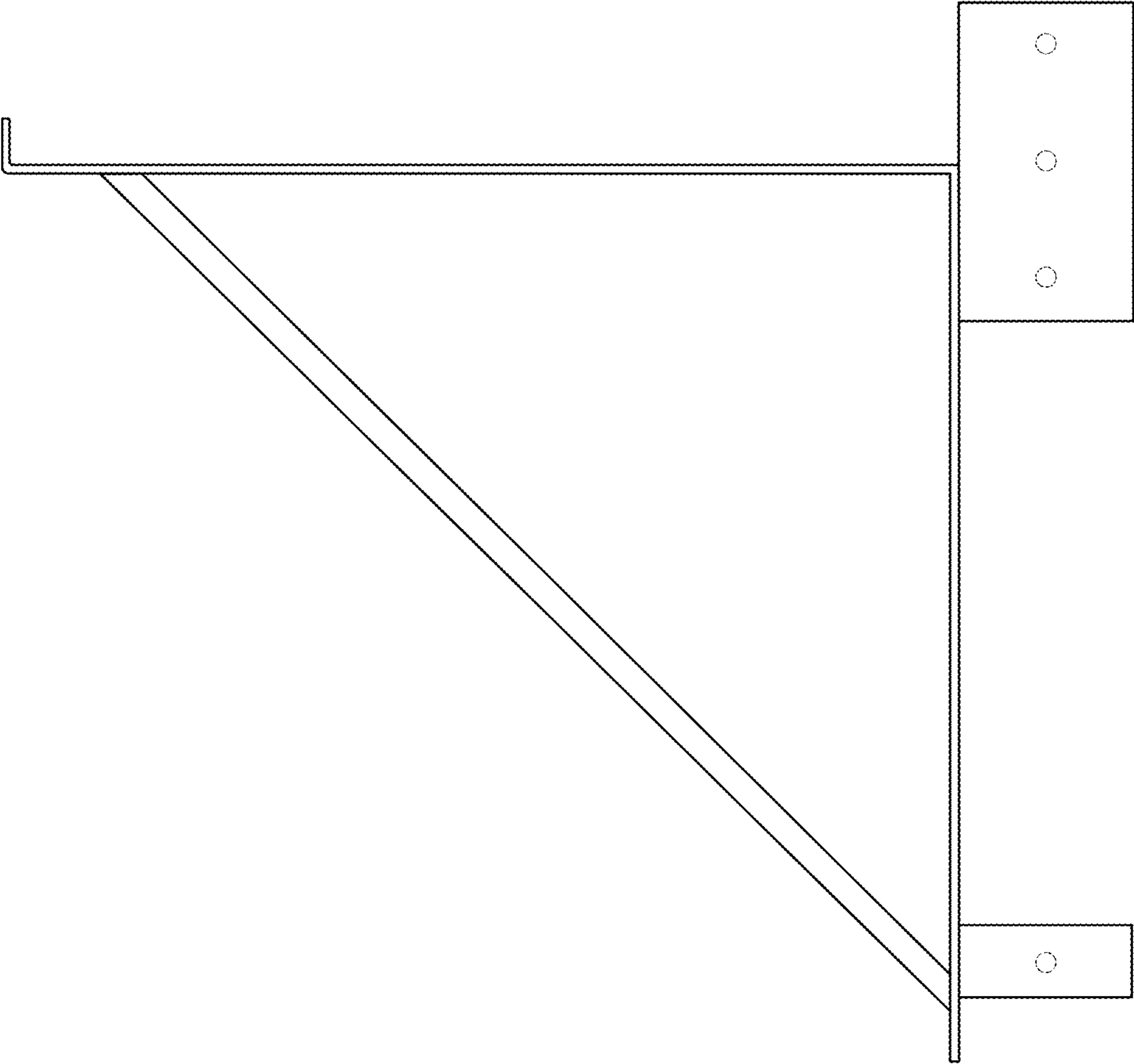


FIG. 12